

Contents

CONTENTS

ETMAN Electric Co., Ltd.

01: Cables

001~010

02: Installation Accessories

011~030

03: Switches, Sockets

031~043

04: Luminaire Materials

044~050

05: Plugs and sockets

051~061

06: Connectors

062~066

LV installation wires

H07V-R

Description

Building wires are widely used for fixed electrical installations.
Flexible cords are also used for most domestic electric appliances.

Standards

International: HD 21.3; IEC 60227 1

Certification

Certified by VDE

Characteristics

Construction characteristics

Conductor flexibility: Stranded class 2

Insulation: PVC

Conductor material: Bare copper

Electrical characteristics

Rated Voltage U_o/U (Um): 450 / 750 V

Mechanical characteristics

Mechanical resistance to impacts: Low

Cable flexibility: Rigid

Usage characteristics

Max. conductor temperature in service: 70°C

Short circuit max. conductor temperature: 160°C

Operating temperature, range: 5 .. 60°C

Weather resistance: Good

Flame retardant: C2, NF C 32 070

Chemical resistance: Accidental

Water proof: Low

Packed in polybag

Art.No.	Description/Remark	Packing
80700125	1.5mm ² , Blue	25M / bag
80700225	1.5mm ² , Black	25M / bag
80700325	1.5mm ² , Yellow/Green	25M / bag
80700425	1.5mm ² , Brown	25M / bag
80700525	1.5mm ² , White	25M / bag
80701125	2.5mm ² , Blue	25M / bag
80701225	2.5mm ² , Black	25M / bag
80701325	2.5mm ² , Yellow/Green	25M / bag
80701425	2.5mm ² , Brown	25M / bag
80701525	2.5mm ² , White	25M / bag

Packed in reel

Art.No.	Description/Remark	Packing
80700110	1.5mm ² , Blue	150M / plastic reel
80700210	1.5mm ² , Black	150M / plastic reel
80700310	1.5mm ² , Yellow/Green	150M / plastic reel
80700410	1.5mm ² , Brown	150M / plastic reel
80700510	1.5mm ² , White	150M / plastic reel
80701110	2.5mm ² , Blue	100M / plastic reel
80701210	2.5mm ² , Black	100M / plastic reel
80701310	2.5mm ² , Yellow/Green	100M / plastic reel
80701410	2.5mm ² , Brown	100M / plastic reel
80701510	2.5mm ² , White	100M / plastic reel



Packed in box

Art.No.	Description/Remark	Packing
80700111	1.5mm ² , Blue	100M / box
80700211	1.5mm ² , Black	100M / box
80700311	1.5mm ² , Yellow/Green	100M / box
80700411	1.5mm ² , Brown	100M / box
80700511	1.5mm ² , White	100M / box
80701111	2.5mm ² , Blue	100M / box
80701211	2.5mm ² , Black	100M / box
80701311	2.5mm ² , Yellow/Green	100M / box
80701411	2.5mm ² , Brown	100M / box
80701511	2.5mm ² , White	100M / box



Tube with wire

Art.No.	Description/Remark	Packing
80703010	Ø16mm tube with wire 3x1.5mm ²	25M / box
80703020	Ø16mm tube with wire 3x1.5mm ²	50M / box
80703110	Ø16mm tube with wire 3x2.5mm ²	25M / box
80703120	Ø16mm tube with wire 3x2.5mm ²	50M / box
80704010	Ø16mm tube with wire 4x1.5mm ²	25M / box
80704010	Ø16mm tube with wire 4x1.5mm ²	50M / box
80705010	Ø16mm tube with wire 5x1.5mm ²	25M / box
80705010	Ø16mm tube with wire 5x1.5mm ²	50M / box



LV Flexible cables

H03VVH2-F

Description

For use with appliances and equipment intended for domestic, office and similar environments, such like: light portable apparatuses, i.e. table lamp and radio.

Standards

International: HD 21.5

Certification

Certified by VDE

Flammability class

IEC 60332 1 and SS 424 14 75, cat. F2

Characteristics

Construction characteristics

Conductor material: Bare copper

Insulation: PVC

Outer sheath: PVC

Halogen free: No

Dimensional characteristics

Number of cores: 2

Electrical characteristics

Rated Voltage U_o/U (U_m): 300 / 300 V

Usage characteristics

Operating temperature, range: 0 .. 70°C

Art.No.	Cross section (mm ²)	Sheath colour	Conductor(mm)
80000500	2x 0.75	White	24xØ0.2
80000400	2x 0.75	Black	24xØ0.2
80000600	2x 0.75	Silver	24xØ0.2
80000700	2x 0.75	Brass	24xØ0.2
80001700	2x 0.75	Gold	24xØ0.2



H05VV-F

Description

The cable may be used in indoors, even in moist environments, for connecting of heavier household apparatuses, i.e. refrigerator and washing machine.

Standards

International: HD 21.5

Certification

Certified by VDE

Flammability class

IEC 60332 1 and ss 424 14 75, cat. F2

Characteristics

Construction characteristics

Conductor material: Bare copper

Insulation: PVC

Outer sheath: PVC

Halogen free: No

Electrical characteristics

Rated Voltage U_o/U (U_m): 300 / 500 V

Usage characteristics

Operating temperature, range: 0 .. 70°C

Art.No.	Cross section (mm ²)	Sheath colour	Conductor(mm)
80002000	3G1.0	White	32xØ0.2
80002100	3G1.5	White	48xØ0.2
80002200	3G2.5	White	80xØ0.2
80002300	3G4.0	White	128xØ0.2
80002001	3G1.0	Black	32xØ0.2
80002101	3G1.5	Black	48xØ0.2
80002201	3G2.5	Black	80xØ0.2
80002301	3G4.0	Black	128xØ0.2



Rubber Cables

H07RN-F

Description

H07RN F is an EPR insulated and PCP (Polychloroprene), more commonly referred to as OFR (Oil resistant & flame retardant) sheathed connection cable with circular, multi stranded copper conductors. The cable is designed according to HD 22.4. The conductors have resistance according to IEC 60228 class 5. The cores are identified by colours according to HD 308.

H07 is an oil and grease resistant flexible cable, durable against high temperature, moisture and frost. It may be used for temporary installations indoors and outdoors and is suitable to connect machines and other materials that require a flexible cable. This cable can be used in refrigerating installations. The cable can also be buried but with extra mechanical protection.

Standards: HD 22.4

Note

Max continuous operating conductor temperature in normal use:

+60°C (in every case of mobile installation)

+85°C (fixed protected installation)

+200°C (in short circuit)

Permissible current rating is measured for an ambient temperature of 30°C and a maximum operating and conductor temperature of 85°C. For other temperature please refer to correction factors.

Certification: Certified by VDE



Art.No.	Cross section (mm²)	Sheath colour	Packing
80601050	3G1.5	Black	50M / polybag
80601150	3G2.5	Black	50M / polybag
80601250	4G2.5	Black	50M / polybag
80601350	4G4.0	Black	50M / polybag
80601450	4G6.0	Black	50M / polybag
80601550	5G1.5	Black	50M / polybag
80601650	5G2.5	Black	50M / polybag
80606050	3G1.5	Red	50M / polybag
80606150	3G2.5	Red	50M / polybag
80606250	4G2.5	Red	50M / polybag
80606350	4G4.0	Red	50M / polybag
80606450	4G6.0	Red	50M / polybag
80606550	5G1.5	Red	50M / polybag

H05RR-F

Description

H05RR F is an EPR (Ethylene propylene rubber) or VIR (Vulcanized insulated rubber), more commonly known as VRI insulated and TRS (Tough rubber sheath) sheathed connection cable with circular, multi stranded copper conductors. The cable is designed according to HD 22.4. The conductors have resistance according to IEC 60228 class 5. The cores are identified by colours according to HD 308.

H05 is an oil and grease resistant flexible cable, durable against high temperature, moisture and frost. It may be used for temporary installations indoors and outdoors and is suitable to connect machines and other materials that require a flexible cable. This cable can be used in refrigerating installations. The cable can also be buried but with extra mechanical protection.

Standards: HD 22.4

Note

Max continuous operating conductor temperature in normal use:

+60°C (in every case of mobile installation)

+85°C (fixed protected installation)

+200°C (in short circuit)

Permissible current rating is measured for an ambient temperature of 30°C

and a maximum operating and conductor temperature of 85°C. For other temperature please refer to correction factors.

Certification: Certified by VDE

Art.No.	Cross section (mm²)	Sheath colour	Packing
80600050	3G1.5	Black	50M / polybag
80600150	3G2.5	Black	50M / polybag
80605050	3G1.5	Red	50M / polybag
80605150	3G2.5	Red	50M / polybag



LAN Cables Cat 5e Cables

Description

Category 5e cables are the standard 100MHz. Manufactured in accordance with TIA 568 B and IEC 61156 5, they are suitable for basic voice & data installations.

U/UTP construction

Complies to latest cat 5e standards

Supports Gigabit Ethernet

Guaranteed performance to 100MHz

Single foil offers EMC performance

Standards

International: ISO/IEC 11801

Performance

Category 5e cables are compliant with the requirements of the TIA 568 B and IEC 61156 5.

Electrical Performance								all values are specified at 20°C	
Frequency	Attenuation dB/100m	NEXT dB	ACR dB/100m	PS NEXT (*) dB	ELFEXT dB/100m	PSELFEXT dB/100m	RL dB		
4	4.1	56.3	52.2	53.3	51.7	49.0	23.0		
10	6.5	50.3	43.8	47.3	43.8	41.0	25.0		
16	8.3	47.2	38.9	44.3	39.7	36.9	25.0		
20	9.3	45.8	36.5	42.8	37.7	35.0	25.0		
31.25	11.7	42.9	31.2	39.9	33.9	31.1	23.6		
62.5	17.0	38.4	21.4	35.4	27.9	25.1	21.5		
100	22.0	35.3	13.3	32.3	23.8	21.0	20.1		

(*) Dual cable versions additionally comply to the additional PSNEXT requirements for multi-unit cables as specified in the relevant TIA and IEC cable standards.

Art.No.	Type of cable	Sheath colour	Length (m)	Packaging
80101210	U/UTP	Grey	305	Box



LAN Cables

Cat 6 Cables

Description

Cat 6 cables are manufactured and tested to the latest Category 6 specifications.

Unshielded construction

Complies to the latest Category 6 standards
Central cross maintains geometry and performance
Supports Class E applications up to 250 MHz.

Standards

International: ISO/IEC 11801

Design

The conductors are 24 AWG solid copper wires complying with IEC 60228. The PE central cross filler keeps the pairs in place and reduces the risks of losing performance when bending the cable.

Performance

Cat 6 cables are compliant with the requirements of the TIA 568 B.2 1 and ISO/IEC 11801:2002.

Installation

Thanks to their small nominal outer diameter, Cat 6 cables are as easy to install as their Cat 5e equivalent.

Channel Performance

Values given for 2 connector channel, built with Essential 6 cable, outlet and patch panel.

Frequency Mhz	Insertion Loss dB/100m	NEXT PP dB	PS NEXT dB	ACR dB/100m	PS ACR dB/100m	ELFEXT dB/100m	PSELFEXT dB/100m	Return Loss dB
1	4.0	65.0	62.0	65.0	62.0	63.3	60.3	19.0
4	4.2	63.0	60.5	58.9	56.4	51.2	48.2	19.0
10	6.6	56.6	54.0	50.0	47.4	43.3	40.3	19.0
16	8.3	53.2	50.6	44.9	42.3	39.2	36.2	18.0
20	9.3	51.6	49.0	42.3	39.7	37.2	34.2	17.5
31.25	11.7	48.4	45.7	36.7	34.0	33.4	30.4	16.5
62.5	16.9	43.4	40.6	26.5	23.7	27.3	24.3	14.0
100	21.7	39.9	37.1	18.2	15.4	23.3	20.3	12.0
155	27.6	36.7	33.8	9.1	6.2	19.5	16.5	10.1
200	31.7	34.8	31.9	3.1	0.1	17.2	14.2	9.0
250	35.9	33.1	30.2	2.8	5.8	15.3	12.3	8.0

All values are specified at 20°C.

Art.No.	Type of cable	Sheath colour	Length (m)	Packaging
80101310	U/UTP	Orange	305	Box



Coaxial Cables

RG-6

RG 6 is often used to carry baseband video in closed circuit television, previously used for cable television (CATV) . Generally it has poor shielding but will carry an HQ HD signal or video over short distances.

Construction characteristics

Conductor shape: Single wired
Conductor material: Copper clad steel
Insulation: Foamed PE
Outer core type: Aluminium tape and aluminium braid
Outer sheath: PVC

Colour: White

Dimensional characteristics

Conductor diameter: 1.0mm
Diameter over insulation: 4.8mm
Nominal outer diameter: 7.0mm
Average sheath thickness: 0.66mm
Approximate weight: 3.1kg/100m

Electrical characteristics

Characteristic impedance: 75Ohm

Transmission characteristics

Attenuation, max. 55 MHz: 6.1dB/100m
Attenuation, max. 250 MHz: 13.0dB/100m
Attenuation, max. 450 MHz: 17.8dB/100m
Attenuation, max. 865 MHz: 25.7dB/100m

Usage characteristics

Laying operation bending radius: 35mm

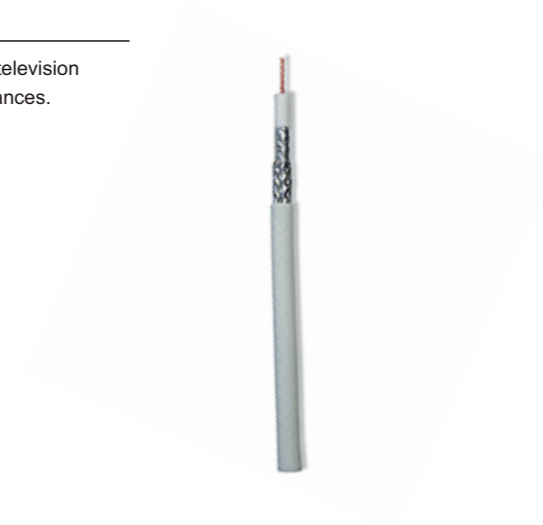
Packaging: Reel

Ambient installation temperature, range: 10 .. 50°C

Operating temperature, range: 15 .. 70°C

Packed in box

Art.No.	Type of cable	Sheath colour	Length (m)	Packaging
80200010	RG 6	White	100	Reel



Coaxial Cables

SAT

SAT is often used to transmit TV signal, video observation system and others.

Construction characteristics

Conductor shape: Single wired
 Conductor material: Copper
 Insulation: Foamed PE
 Outer core type: Aluminium tape and aluminium braid
 Outer sheath: PVC
 Colour: White

Dimensional characteristics

Conductor diameter: 1.0mm
 Diameter over insulation: 4.8mm
 Nominal outer diameter: 7.0mm
 Average sheath thickness: 0.85mm
 Approximate weight: 2.5kg/100m

Electrical characteristics

Characteristic impedance: 75Ohm

Transmission characteristics

Attenuation, max. 55 MHz: 13.0dB/100m
 Attenuation, max. 250 MHz: 17.8dB/100m
 Attenuation, max. 450 MHz: 25.7dB/100m
 Attenuation, max. 865 MHz: 35.6dB/100m

Usage characteristics

Laying operation bending radius: 40mm

Packaging: Reel

Ambient installation temperature, range: 10 .. 50°C

Operating temperature, range: 15 .. 70°C

Packed in box

Art.No.	Type of cable	Sheath colour	Length (m)	Packaging
80200610	SAT	White	100	Reel

Speaker wires

Speaker wire is used to make the electrical connection between loudspeakers and audio amplifiers.

Conductors insulated by transparent PVC. Multi stranded copper conductors

Characteristics

Construction characteristics

Conductor flexibility: Flexible class 5

Conductor material: Bare annealed copper

Outer sheath: PVC Screen: No Halogen free: No

Dimensional characteristics

Number of cores: 2

Usage characteristics

Packaging: 100M/reel, other length available

Ambient installation temperature, range: 0 .. 50°C

Operating temperature, range: 0 .. 70°C

Maximum wire lengths for two conductor copper wire

Cross section (mm ²)	2Ωload	4Ωload	6Ωload	8Ωload
0.75 mm ²	1.5 m	3 m	4.5 m	6 m
1.0 mm ²	2.4 m	14.9 m	7.3 m	9.7 m
1.5 mm ²	3.6 m	7.3 m	11 m	15 m

Art.No.	Cross section (mm ²)	Packing
80300010	2×1.5	100M/reel
80300500	2×2.5	100M/reel
80300600	2×4.0	100M/reel

Telecom Wires

Description

Flat, PP insulated, PVC sheathed cable with fire performance according to IEC 60332 1 is used for connection of telecom terminals like phones and modems.

Standards International: IEC 60332 1

Characteristics

Construction characteristics

Conductor flexibility: Flexible class 5

Conductor material: Bare annealed copper

Insulation: PP (polypropylene)

Outer sheath: PVC Screen: No Halogen free: No

Dimensional characteristics

Average sheath thickness: 0.5mm

Approximate weight: 1.6kg/100m

Conductor cross section: 0.14mm²

Outer Diameter (mm): 4.8 x 2.3 Number of cores: 4

Electrical characteristics

Max. DC resistance of the conductor at 20°C: 1450hm/km

Ohmical resistance of the insulation: 100M0hm.km

Maximum operating voltage: 100V

Usage characteristics

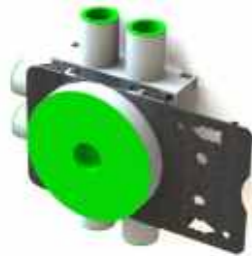
Length: 100m Packaging: Reel

Ambient installation temperature, range: 10 .. 50°C

Operating temperature, range: 15 .. 70°C

Art.No.	Description/Remark	Packing
80500110	1x4x0,14	100M

Flush mounting wall boxes



IP-Class: IP20
Certificate(s): Semko, CE
 For single (12mm) or double (24mm) gypsum plates
 Ø71mm depth 45mm 55mm
 With or without steel fastening plate, steelplate for fastening directly to wooden stanchions or with screws to steel stanchions
 Turn able ring is with fixing centre 60mm and M3 screws.
 The box has 6 conduit entries: 6*Ø16mm, locking springs, sealing plugs and plastic lid. It is possible to enter Ø20mm conduit by using Ø20mm sleeve ETM 238S on the outside of the entries.
 Plastic lid inclusive
 Extension rings (B013) is available for the mounting boxes. It is 7 mm deep.



Type	Colour	Description/Remark
B001	White body, green sealing plugs and plastic lid	for 12mm wall plate , H=45mm
B001 2	White body, green sealing plugs and plastic lid	for 12mm wall plate , H=55mm
B001 4	White body, green sealing plugs and plastic lid	for 24mm wall plate , H=55mm
B001 1	White body, green sealing plugs and plastic lid	w/steelplate for 12mm wall plate , H=45mm
B001 3	White body, green sealing plugs and plastic lid	w/steelplate for 12mm wall plate , H=55mm
B001 5	White body, green sealing plugs and plastic lid	w/steelplate for 24mm wall plate , H=55mm
B013	White	Extension ring, H=7mm
B013 1	White	Extension ring with 4 pcs screw M3x50mm, H=7mm



B520



B521



B522



B523

IP-Class: IP20
Certificate(s): SEMKO
 For single (12 13mm) or double (24 26mm) gypsum plates
 Ø71mm depth 50mm
 Turn able ring is with fixing centre 60mm and M3 screws. The inner will be locked by locker when tightened up the screws.
 Circular flush mounting box for accessory is made of insulated materials.
 With 3 inlets for Ø16mm conduit, with/without locking spring, one inlets opened and two inlets closed for keep box clean, you can open what you need by screwdriver.
 Only use for electrical wiring
 The box can connect each other by locker on the side.

Type	Colour	Description/Remark
B520	White body ,yellow inner ring	For 26mm wall plate
B521	White body ,Green inner ring	For 13mm wall plate
B522	White body ,yellow inner ring	For 26mm wall plate, with locking spring
B523	White body ,Green inner ring	For 13mm wall plate, with locking spring

Flush mounting wall boxes

IP-Class: IP20
Certificate(s): CE
 c/c 60mm
 3 knock-outs on the side
 2 knock-out on the bottom
 2 branch outlets for Ø16, 20mm conduits
Two kinds of conduit inlets:
 Multi used for Ø16, 20mm conduits
 strain relief inlet, it is used in conduitless flush mounting to fasten 5 x 2,5 mm² cables to the mounting boxes or junction boxes

Art.No.	Type	Description/Remark
NEW 81020100	B602	Mounting box for flush type Apparatus with screw fixing for dry locations
NEW 81120000	B603	Ø16/20mm conduits inlet
NEW 81120100	B604	Strain relief inlet



B602



B603



B604

Flush mounting Junction boxes

Certificate(s): SEMKO
Technical info:
 For single (12 13mm) or double (24 26mm) gypsum plates
 Ø82mm depth 48mm
 Turn able ring is with fixing centre 67mm and M3 screws. The inner will be locked by locker when tightened up the screws.
 Circular flush mounting box for accessory is made of insulated materials.
 Only be used for electrical wiring

With 8 inlets for Ø16mm conduit, with locking spring, one inlets opened and others closed for keep box clean, you can open what you need by screwdriver.

Type	Colour	Description/Remark
B524	White body, yellow inner ring	For 26mm wall plate, with locking spring
B525	White body, Green inner ring	For 13mm wall plate, with locking spring

With 2 inlets for Ø20mm conduit and 8 inlets for Ø16mm conduit, with locking spring, one inlets opened and others closed for keep box clean, you can open what you need by screwdriver.

Type	Colour	Description/Remark
NEW B524N	White body, yellow inner ring	For 26mm wall plate, with locking spring
NEW B525N	White body, Green inner ring	For 13mm wall plate, with locking spring



B524



B525



B524N



B525N

Flush mounting Junction box



B601

c/c 78mm, M4 screws
8 knock outs on the side
4 knock out on the bottom
Depth: 47mm

Art.No.	Type	Description/Remark
NEW 81020000	B601	Junction box c c 78mm for flush mounting

Multi boxes

IP-Class: IP20

Technical info:

For use in prefabricated walls or hollow walls where installation works can be conducted from the outside of the wall and when you need an extra flush wall box. Requires a 6mm minimum panel thickness.

B220 has 2 fixed entries for Ø16 mm plastic conduits, you can open one more if you want to. A special milling cutter for drilling hole for the Multibox in a panel, diam. 69 mm (not suitable for Steel panels) can be ordered. A special effective plier to dismantle the cable inside the box, called Multiplier can also be ordered.

With 2 fixed entries. Locking springs, sealing plugs and plastic lid is included
Box screw distance cc 60 mm and M3 screws.



B220

Type	Description/Remark
B220	Multibox for prefabricated walls, Ø71mm depth 61mm

Simple version, with knockout on the bottom of box, fixation screw distance c c 60mm and M3 screws.



ETM390S/391S

ETM392S

ETM393S

Type	Description/Remark
ETM390S	Wall Box & Roof Box 68mm, H=35mm
ETM391S	Wall Box & Roof Box 68mm, H=45mm
ETM392S	Wall Box & Roof Box 2 X 68mm, H=45mm
ETM393S	Wall Box & Roof Box 3 X 68mm, H=45mm

Surface mounting frames

IP-Class: IP20

Technical info:

For already complete upholstered wall or corner of wall need add switch, socket, dimmer, timer or other electrical accessories.

Distance between fixing centre is 71 mm.

Distance of fixing centre is 60mm and M3 screws.

Without conduit entries.

84*84mm or 84*155mm depth 20mm/40mm



B239

B240

Type	Description/Remark
B239	1 way , on wall frame for switch etc. , H=20mm
B240	1 way , on wall frame for dimmer etc. , H=40mm
B430	2 way , on wall frame for switch etc. , H=20mm
B429	2 way , on wall frame for dimmer etc. , H=40mm



B429

B430

Type	Description/Remark
B402	2 way frame for corner of wall



B402

Surface mounting junction boxes

Junction box IP20, 65*65

Technical Data: 380VAC

Rated Connecting Cap: 2.5"

IP-Class: IP20

Technical info:

square junction box is spacious and easy to wire. The box is equipped with an insulated 5 way connector. The transparent wire connector makes it easy to ensure sufficient wire depth. The maximum wire capacity per connector is 3 x 2,5 mm² or 4 x 1,5 mm². The box has 6 knock outs, 2 of which are in the bottom.

Surface mounting

The minimum and maximum temperatures during installation: 5°C +60°C



Type	Description/Remark
B219	Junction box , IP20 , 5 pol

Surface mounting junction boxes

Junction box IP20, 90*65

Technical Data: 440VAC

Rated Connecting Cap: 6"

IP-Class: IP20

Certificate(s): CE, Semko

Technical info:

Junction box has two 3 pole insulate 6 mm² connectors. The base plate offers a choice of eight different connection points for the connectors. In the bottom of the box there are four knock outs. The cover has knock outs in the corners and on the long sides of the cover. The maximum wire capacity per connector is 8 x 1,5 mm² or 5 x 2,5 mm².

Surface mounting

The minimum and maximum temperatures during installation: 5°C +60°C



Type	Description/Remark
B218	Junction box , IP20 , 6 pol

Junction box IP54, 82*82

Technical Data: 400VAC

Rated Connecting Cap: Maximum 3x2.5mm²/clamp or Maximum 4x1.5mm²/clamp

IP-Class: IP54

Certificate(s): CE, Semko

Technical info:

square junction box is spacious and easy to wire. The box is equipped with an insulated 5 way connector. The transparent wire connector makes it easy to ensure sufficient wire depth. equipped with 8 membrane cable entries (Ø 19 mm) in the sides, In the bottom of the box there are four knock outs.. Cables are easy to through the inlets. The maximum wire capacity per connector is 3 x 2,5 mm² or 4 x 1,5 mm². The box has 6 knock outs, 2 of which are in the bottom.

Surface mounting

The minimum and maximum temperatures during installation: 5°C +60°C



Type	Description/Remark
B232	Junction box , IP20 , 5 pol
B2320	Junction box , IP20 , without terminal

Surface mounting junction boxes

Junction box IP65

Technical Data: 400VAC

Rated Connecting Cap:

B432: 2.5"

B233: 2.5"

B434: 6"

IP-Class: IP65

Certificate(s): CE, Semko

Technical info:

The square junction box is equipped with 12 membrane cable entries in the sides, and two on the bottom.

Cables are easy to connect by simply inserting the stripped ends through the inlets. The box locks by snapping and can be opened by inserting a screwdriver (for example) into the opening slots no screws are needed. The box can be furnished with the strain reliefs on the center pin.

Surface mounting

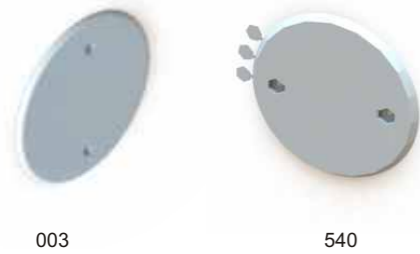
The minimum and maximum temperatures during installation: 5°C +60°C



Type	Description/Remark
B432	Junction box, 75*75*38
B233	Junction box, 85*85*38.5
B434	Junction box, 105*105*46
B432P	Junction box, 75*75*38, with centerpin
B233P	Junction box, 85*85*38.5, with centerpin
B434P	Junction box, 105*105*46, with centerpin
B432PT	Junction box, 75*75*38, with terminal
B233PT	Junction box, 85*85*38.5, with terminal
B434PT	Junction box, 105*105*46, with terminal

Accessories

Cover, Fixing center c-c 60mm



Type	Description/Remark
003	Ø90
540	Ø90, with screw cover

Cover, For Junction box 67mm, quick installation, no need screw



Type	Description/Remark
526	Ø100
527	Ø100, with cable entry hole

Cover, Fixing center c-c 67mm



Type	Description/Remark
004 1	Ø100
528	Ø100, with cable entry hole

Cover, Fixing center c-c 70mm



Type	Description/Remark
004	Ø100
539	Ø100, with hook

Accessories

Cover, Fixing center c-c 67-78mm

Type	Description/Remark
005	Ø110, with hook
541	Ø100



Cover, Fixing center c-c 78mm

Type	Description/Remark
NEW 539 1	Ø110



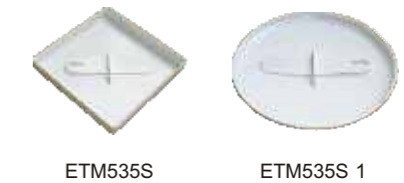
Connection cover, fixing center c-c 78mm For cables Ø 6,0 - 15,0 mm

Type	Description/Remark
542	Ø100, connection cover, IP20
542	Ø100, connection cover, IP44



Ceiling cover, universal version, only need one screw, nothing else to see after installation

Type	Description/Remark
ETM535S	Square, 86*86
ETM535S 1	Round, ø100



Cover, Fixing center c-c 80mm

Type	Description/Remark
ETM536S	Square, 86x86x13mm
ETM536S 1	with metal holder, round diameter=95mm white
ETM536S 2	Diameter: 95mm



Accessories

Flexible tube for wire fixing PE 320N

Normal in 100mtr, but you can order how long you want.



Art.No.	Description/Remark
82401610	Ø16mm tube , White , 10Mtr.
82401625	Ø16mm tube , White , 25Mtr.
82402010	Ø20mm tube , White , 10Mtr.
82402025	Ø20mm tube , White , 25Mtr.
82401660	Ø16mm tube , White , 100Mtr.
82402060	Ø20mm tube , White , 100Mtr.

Hard tube

Normal in 3 mtr. , but you can order how long you want.



Art.No.	Description/Remark
82301300	Ø16mm/ 3M
82301400	Ø20mm / 3M

Straight extension pipe



Type	Description/Remark
237	Ø16mm, with locker
238	Ø20mm, with locker
NEW 655	Ø25mm, extension pipe
NEW 656	Ø32mm, extension pipe
NEW 657	Ø40mm, extension pipe
NEW 658	Ø50mm, extension pipe

Type	Description/Remark
237 1	Ø16mm, without locker

Accessories

90 degree extension pipe

Art.No.	Description/Remark
81109016	Ø16mm extension pipe
81109020	Ø20mm extension pipe



Flexible tube for the cable holding

Art.No.	Description/Remark
82402510	Ø25mm tube / 5M silver colour with 5 pcs plastic tie
82402520	Ø25mm tube / 5M white colour with 5 pcs plastic tie
82402530	Ø25mm tube / 5M black colour with 5 pcs plastic tie



Nylon Line For Pulling Wire Through Tube

Art.No.	Description/Remark
ETM530S	10Mr. Ø3mm
ETM531S	20Mr. Ø3mm



Expend Clip

Art.No.	Type	Description/Remark
82000500	820005	Ø5X25
82000600	820006	Ø6X30
82000800	820008	Ø8X40
82001000	820010	Ø10X50
82001200	820012	Ø12X60



Terminal Block

terminal blocks are used to connect two conductors easily and credibility.

Material:

Housing PA66,UL94V 2

Current carrier Alloy, Ni plated

Screws Steel, Cr3+ Zn plated.

Poles: 2P 12P

Art.No.	Wire range(mm ²)	Rated current	Rated voltage
81301015	1.5	17.5A	450V
81301125	2.5	24A	450V
81301126	6	41A	750V
81301310	10	57A	750V
81301316	16	76A	750V
81301325	25	101A	750V



Accessories

Twist Wire Connects

Description

Twist terminal to connect all kinds and combinations of wires.
At the top of the connectors there is a test hole.
A connection can be quickly and easily tested with ordinary testing instruments.

Suitable for

Twist terminal is approved for connection of all kinds of wires from 0.5 mm² to 12 mm²

Advantages

- Test hole in top for quick, easy voltage testing.
- Hexagon spanner flats for power screwdrivers with 1/4" fitting.
- Ergonomically shaped wings.
- No need to twist the stripped wires.
- Can be screwed off and re used on the same or a larger wire area.
- One product for all connections.

Straight

Conductor area (mm ²)	0.5 ¹⁾	0.75 ¹⁾	1.0	1.5	2.5	4.0	6.0	Total area :12
No. of conductors	4 10	3 10	2 10	2 8	2 5	2 3	2	

1) Not for 2x0.5, 3x0.5 and 2x0.75 mm² RK

Art. No.	Colour	Qty/Pack
81300020	Red	100



“Etlock” Push wire connects

Connectors for junction boxes with push wire connection for a safe and secure installation.

Technical Data:24A, 450V

Rated Connecting Cap:2.5 mm², Sol

Housing Material: UL 94V 2 flame retardant thermoplastic.

Stripping Length: Approx. 11mm.

Rated 600V Max.for building wiring and 1000V Max. in lighting fixtures/ luminaries and signs.

Color coded for easy identification.

Fast, safe and reliable installation for saving time and cost.

Compact size design perfect for tight spaces.

Art.No.	Poles	Colour
81302210	2	Red
81302310	3	orange
81302410	4	Yellow
81302510	5	Grey
81302810	8	black



Accessories

Cable Tie

Material:

Nylon 66, 94V 2 certificated by UL, heat resisting, erosion control, insulate well and not apt to age.

Operating temperature: 40°C to 85°C

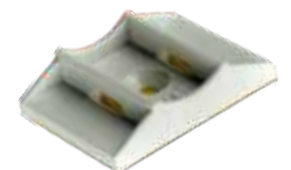
Art.No.	Type	Description/Remark	Packaging
81501000	ETM300S	2.5x100mm , Black Colour, UV Resistant	100 pcs/bag
81501100	ETM314S	2.5x200mm , Black Colour, UV Resistant	100 pcs/bag
81501200	ETM302S	3.6x140mm , Black Colour, UV Resistant	100 pcs/bag
81501300	ETM315S	3.6x200mm , Black Colour, UV Resistant	100 pcs/bag
81501400	ETM316S	3.6x280mm , Black Colour, UV Resistant	100 pcs/bag
81501500	ETM304S	4.8x200mm , Black Colour, UV Resistant	100 pcs/bag
81501600	ETM306S	4.8x280mm , Black Colour, UV Resistant	100 pcs/bag
81501700	ETM308S	4.8x380mm , Black Colour, UV Resistant	100 pcs/bag
81501800	ETM317S	7.2x350mm , Black Colour, UV Resistant	100 pcs/bag
81501900	ETM310S	7.2x550mm , Black Colour, UV Resistant	100 pcs/bag
81502000	ETM318S	7.6x380mm , Black Colour, UV Resistant	100 pcs/bag

Art.No.	Type	Description/Remark	Packaging
81505000	ETM301S	2.5x100mm , Natural Colour	100 pcs/bag
81505100	ETM298S	2.5x200mm , Natural Colour	100 pcs/bag
81505200	ETM303S	3.6x140mm , Natural Colour	100 pcs/bag
81505300	ETM319S	3.6x200mm , Natural Colour	100 pcs/bag
81505400	ETM312S	3.6x280mm , Natural Colour	100 pcs/bag
81505500	ETM305S	4.8x200mm , Natural Colour	100 pcs/bag
81505600	ETM307S	4.8x280mm , Natural Colour	100 pcs/bag
81505700	ETM309S	4.8x380mm , Natural Colour	100 pcs/bag
81505800	ETM313S	7.2x350mm , Natural Colour	100 pcs/bag
81505900	ETM311S	7.2x550mm , Natural Colour	100 pcs/bag
81506000	ETM299S	7.6x380mm , Natural Colour	100 pcs/bag



Cable fixture with glue

Art.No.	Type	Description/Remark	Packaging
82900110	829001	White	10 pcs/bag



Wire holder self fasten

Art.No.	Type	Description/Remark	Packaging
82900210	829002	White	10 pcs/bag



Accessories

Cable trunking

Technical details

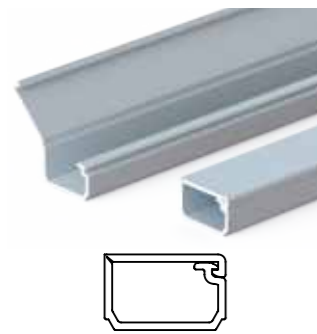
Plastic, insulating, shock proof, self extinguishing material in compliance with UL 94 V0 Standard and resistant to abnormal heat and fire up to 960°C (glow wire test) in compliance with IEC 695 2 1 Standard
 Dimensional stability from 20 to +60°C
 Resistant to acids, oils and greases
 Standard 2 metre long
 Easy to position self adhesive base
 Acrylic base adhesive, resistant to the light and to ageing
 Residential application
 Degree of protection Ip40
 Resistance to impacts: 6 joules
 Wall and ceiling mounting, fastening with dowels
 Complete accessories

Colour

White (Art.No.: 8610xx0x)

Clear wood colour (Art.No.: 8610xx1x)

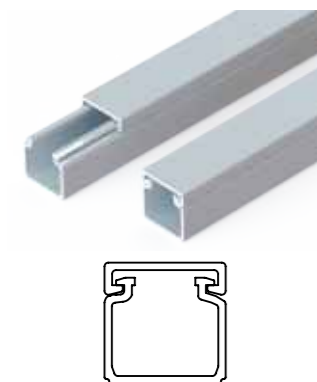
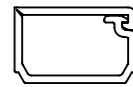
Dark wood colour (Art.No.: 8610xx2x)



One Piece cable trunking with self adhesive ^{NEW}

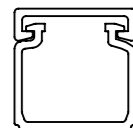
One piece surface raceway is a single channel designed to route, protect and conceal video or power cabling, can be opened and closed repeatedly without cracking.

Art.No.	Type	Description/Remark
81600001	816000	9*5, white, 2.0M
81600300	816003	12*7, white, 2.0M
81600400	816004	16*10, white, 2.0M
81600600	816006	20*10, white, 2.0M
81600900	816009	30*10, white, 2.0M



Cable trunking without self adhesive ^{NEW}

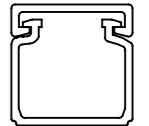
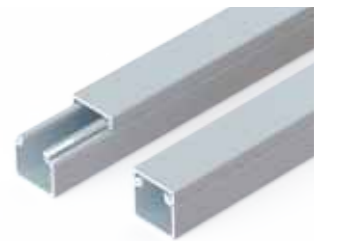
Art.No.	Type	Description/Remark
81600501	816005	16*16, white, 2.0M
81600801	816008	25*15, white, 2.0M
81601001	816010	30*17, white, 2.0M
81601101	816011	35*16, white, 2.0M
81601501	816015	40*17, white, 2.0M
81601301	816013	59*22, White , 2.0M
81601401	816014	60*40, White , 2.0M



Accessories

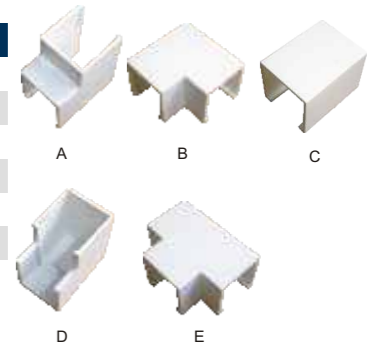
Cable trunking with self adhesive ^{NEW}

Art.No.	Type	Description/Remark
81600500	816005	16*16, white, 2.0M
81600800	816008	25*15, white, 2.0M
81601000	816010	30*17, white, 2.0M
81601100	816011	35*16, white, 2.0M



Accessories for cable trunking

Type	Description(Width*Height)/Remark
816061	12*7
816062	16*10
816063	16*16
816064	20*10
816067	25*15
816068	30*10
816070	35*16



Soft top cable trunking

Art.No.	Type	Description/Remark
81602200	816022	5.5mm, white, 1.0M
81602100	816021	7mm, white, 1.0M
81602000	816020	9mm, white, 1.0M



U type cable trunking

Suitable for snap on application of single cables (aerial, telephone and electric circuits)

Art.No.	Type	Description/Remark
81603020	816030	2 4mm, Transp. w/tape, 1.0M
81603021	816030	2 4mm, White w/tape, 1.0M
81603120	816031	4 6mm, Transp. w/tape, 1.0M
81603121	816031	4 6mm, White w/tape, 1.0M
81603220	816032	6 8mm, White w/tape, 1.0M
81603321	816033	8 10mm, White w/tape, 1.0M



TV trunking

Art.No.	Description(Width*Height)/Remark
51604000	52*18, 1.2m with 4 tap with 6 screw white
81604001	52*18, 1.2m with 4 tap with 6 screw black



Flexible cable trunking

Art.No.	Description(Width*Height)/Remark
8160500	31*10, 2.5m with 3m tap



Accessories

PVC Insulation Tape



Art.No.	Type	Description/Remark
81701013	817010	0.15mm X 19mm X25M , Black
81701013	817010	0.15mm X 19mm X25M , Black
81701013	817010	0.15mm X 19mm X25M , Black
81701013	817010	0.15mm X 19mm X25M , Black
81701013	817010	0.15mm X 19mm X25M , Black
81701013	817010	0.15mm X 19mm X25M , Black
81701013	817010	0.15mm X 19mm X25M , Black

Box of Cable Fixer

Art.No.	Type	Content	Quantity/box
81801010	ETM225S	H03VVH2 F 2x0.75mm ² / 3.5M	1
		ETM019S ,Cable clip round 7 10mm	25
		ETM018S ,Cable clip round 5 7mm	50
		ETM020S ,Cable clip flat 3x10mm	75
		ACS1001 , switch	2

Art.No.	Type	Content	Quantity/box
81802010	ETM231S	Clip with glue	7
		Cable fixture with glue	4
		ETM020S ,Cable clip flat 3x10mm	75
		ETM018S ,Cable clip round 5 7mm	50
		ETM019S ,Cable clip round 7 10mm	25
		Bending tape	15
		Terminals 3A PA66	1
		ACS1001 , Switch	2

Art.No.	Type	Content	Quantity/box
81803010	ETM255S 1	Cable clips white for cable 4 6mm	25
		Tap white	3
		Cable clips white for cable 3 5mm	50
		Cable ties white 8x199mm	20
		Plastic cable clip for wall 31,5x25,5mm white, self adhesive	4
		Plastic cable clip bxlxh 12x17x8mm white, self adhesive	10

Art.No.	Type	Content	Quantity/box
81804010	ETM255S 2	Expansion pipe 10*50mm, screw 5x45mm	8
		Expansion pipe 8*40mm, screw 5x35mm	10
		Expansion pipe 7*35mm, screw 4x30mm	14
		Expansion pipe 6*30mm, screw 4x25mm	15
		Expansion pipe 5*25mm, screw 3.5x20mm	15
		Cable tie 3.6*200mm	20

Art.No.	Type	Description/Remark
81803010	ETM226S	box only



Accessories

Cable clip with nail for flat cable(CCF)

Plastic part:

HDPE , Halogen free , UV stabilized, impact resistant

Metal part:

Electroplated Zinc coated hardened steel

Suitable Applications:

Indoor & outdoor installations, wood & wood fiber boards , cellular concrete

Working temperature: 40°C 80°C

Installation temperature: 20°C 50°C

Type	Size	Colour	Diameter	Length
ETM020S	3x5mm	White	Ø 1.2	17.5
ETM016S	6x9mm	White	Ø 1.5	25
ETM017S	7x10mm	White	Ø 2.0	25

Cable clip with nail for round cable(CCR)

Plastic part:

HDPE , Halogen free , UV stabilized, impact resistant

Metal part:

Electroplated Zinc coated hardened steel

Suitable Applications:

Indoor & outdoor installations, wood & wood fiber boards , cellular concrete

Working temperature: 40°C 80°C

Installation temperature: 20°C 50°C

Type	Size	Colour	Diameter	Length
NEW ETM020S/2	3-5	White	Ø 1.2	20
ETM256S	4-6	White	Ø 1.2	20
ETM018S	5-7	White	Ø 1.2	20
ETM019S	7-10	White	Ø 1.5	25
NEW ETM019S/1	7-10	White	Ø 1.5	30
ETM257S	8-12	White	Ø 2	25
NEW ETM257S/1	8-12	White	Ø 2	30
NEW ETM257S/2	8-12	White	Ø 2	35
NEW ETM257S/3	8-12	White	Ø 2	45
ETM258S	10-14	White	Ø 2	30
NEW ETM258S/1	10-14	White	Ø 2	35
NEW ETM258S/2	10-14	White	Ø 2	45
ETM259S	14-17	White	Ø 2	30
NEW ETM259SN	14-20	White	Ø 2.2	30
NEW ETM259SN/1	14-20	White	Ø 2.2	35
NEW ETM259SN/2	14-20	White	Ø 2.2	45
ETM260S	18-22	White	Ø 2.2	40
NEW ETM260SN	18-22	White	Ø 2.2	40
NEW ETM260SN/1	18-22	White	Ø 2.2	45
ETM261S	22-26	White	Ø 2.2	40
NEW ETM261SN	22-26	White	Ø 2.2	40
NEW ETM261SN/1	22-26	White	Ø 2.2	45

Type	Size	Colour	Diameter	Length
NEW ETM019S/1	7-10	Black	Ø 1.5	30
NEW ETM258S/1	10-14	Black	Ø 2	35
NEW ETM259SN/1	14-20	Black	Ø 2	35
NEW ETM259SN/2	14-20	Black	Ø 2	45
NEW ETM260SN/1	18-22	Black	Ø 2.2	45
NEW ETM261SN/1	22-26	Black	Ø 2.2	45

Type	Size	Colour	Diameter	Length
NEW ETM020S/1	3-5	Nature	Ø 1.2	16
NEW ETM020S/2	3-5	Nature	Ø 1.2	20
ETM256S	4-6	Nature	Ø 1.2	20
ETM018S	5-7	Nature	Ø 1.2	20



Accessories

Cable clip with screw(CCS)

Plastic part:

HDPE, Halogen free, UV stabilized, impact resistant

Metal part:

Corrosion class C4, Dacromet coating hardened steel

Suitable Applications:

Indoor & outdoor installations, wood & wood fiber boards, plasterboard, cellular concrete

Working temperature: 40°C 80°C

Installation temperature: 20°C 50°C



Type	Size	Colour	Diameter	Screw print	Total length	Screw length
NEW ETM264S	7 10	White	Ø 5	PH2	40	34.5
ETM265S	8 12	White	Ø 5	PH2	40	34.5
ETM266S	10 14	White	Ø 5	PH2	40	34.5
ETM267S	14 18	White	Ø 5	PH2	40	34.5
ETM268S	18 22	White	Ø 5	PH2	40	34.5
NEW ETM279S	22 26	White	Ø 5	PH2	40	34.5
ETM265S	8 12	Black	Ø 5	PH2	40	34.5
ETM266S	10 14	Black	Ø 5	PH2	40	34.5
ETM267S	14 18	Black	Ø 5	PH2	40	34.5
ETM268S	18 22	Black	Ø 5	PH2	40	34.5
NEW ETM279S	22 26	Black	Ø 5	PH2	40	34.5

Cable clip for concrete

Type	Size	Colour	Diameter	Nail length	Useful nail length
ETM269S	6x3.5mm	White	Ø1.2	11	5

Steel cable clip with nail(SCC)

Nail: Electroplated Zinc coated hardened steel

Clip: Electroplated Zinc coated steel, powder coated

Suitable Applications:

Indoor & outdoor installations, wood & wood fiber boards, cellular concrete

Working temperature: 40°C 80°C

Installation temperature: 20°C 50°C



Type	Clip sizes	Diameter	Nail length	Suitable tooling type
ETM255S	6 9	Ø 2	25	ETM245S
ETM252S/1	7 10	Ø 2	18	ETM290S
ETM252S	7 10	Ø 2	25	ETM290S
ETM252S/2	7 10	Ø 2	40	ETM290S
NEW ETM254S/1	8 12	Ø 2	18	ETM243S
NEW ETM254S	8 12	Ø 2	25	ETM243S
NEW ETM254S/2	8 12	Ø 2	40	ETM243S
ETM293S	10 14	Ø 2	25	ETM291S
ETM293S/1	10 14	Ø 2	40	ETM291S
ETM294S	14 20	Ø 2	25	ETM292S
ETM294S/1	14 20	Ø 2	40	ETM292S

Accessories

Steel cable clip with screw(SCCS) ^{NEW}

Screw: Electroplated Zinc coated hardened steel

Clip: Electroplated Zinc coated steel, powder coated

Suitable Applications:

Indoor & outdoor installations, wood & wood fiber boards, plasterboard, cellular concrete

Working temperature: 40°C 80°C

Installation temperature: 20°C 50°C

Type	Clip sizes	Diameter	Nail length	Screw length	Suitable tooling type
ETM252S/S	7 10	Ø 2.7	25	15	ETM290S
ETM254S/S	8 12	Ø 2.7	25	15	ETM243S
ETM293S/S	10 14	Ø 2.7	25	15	ETM291S
ETM294S/S	14 20	Ø 2.7	25	15	ETM292S

Half white staples(HWS) ^{NEW}

Electroplated Zinc coated hardened steel, paint

Corrosion class C4

Suitable Applications: Indoor & outdoor installations, wood & wood fiber boards, cellular concrete

Working temperature: 40°C 80°C

Installation temperature: 20°C 50°C

Type	For pipes	Nail length (mm)	Thickness
82109000	8	16	1.0
82109100	10	16	1.0
82109001	8	25	1.0
82109101	10	25	1.0
82109002	8	12	1.0

Metal double staples(MDS) ^{NEW}

Electroplated Zinc coated hardened steel

Corrosion class C4

Suitable Applications: Indoor & outdoor installations, wood & wood fiber boards, cellular concrete

Working temperature: 40°C 80°C

Installation temperature: 20°C 50°C

Type	For pipes	Nail length (mm)	Thickness
82109200	16	16	1.0
82109300	20	20	1.5
82109400	27	32	1.5
82109500	25	30	1.5
82109600	32	35	1.5



Accessories

Double white staples(DWS) ^{NEW}

Electroplated Zinc coated hardened steel, paint corrosion class C4

Suitable Applications: Indoor & outdoor installations, & wood & wood fiber boards, & cellular concrete

Working temperature: 40°C 80°C

Installation temperature: 20°C 50°C



Type	For pipes	Nail length (mm)	Thickness
82109700	8	16	1.0
82109800	10	16	1.0
82109900	12	16	1.0

Half white staples dedicated to gypsum (HSG) ^{NEW}

Electroplated Zinc coated steel, paint corrosion class C4

Suitable Applications: Indoor & outdoor installations, & plasterboard

Working temperature: 40°C 80°C

Installation temperature: 20°C 50°C



Type	For pipes	Nail length (mm)	Thickness
82100200	8 12	13	1.0
82100300	5 7	13	1.0

Simple long cable clips with nail and plug, Nature(SCP) ^{NEW}

Plastic part: HDPE, Halogen free, UV stabilized, impact resistant

metal part: corrosion class C4, Dacromet coating hardened steel

Suitable Applications Bearing force: Indoor & outdoor installations, wood & wood fiber boards(10kg), solid concrete (10kg), cellular concrete (5kg)

Working temperature: 40°C 80°C

Installation temperature: 20°C 50°C



Type	Clip sizes	Nail length(mm)	Nail diameter(mm)	Plug Diameter	Plug length(mm)	For Drilling
82002000	16 19 or 16 20	40	2.5	Ø 5.5	23	5.5
82002100	19 22 or 20 22	40	2.5	Ø 5.5	23	5.5

Accessories

Double long cable clips with nail and plug, Nature (DCP) ^{NEW}

Plastic part: HDPE. Halogen free, UV stabilized, impact resistant

metal part: Corrosion class C4, Dacromet coating hardened steel

Suitable Applications Bearing force: Indoor & outdoor installations, wood & wood fiber boards(10kg), solid concrete (10kg), cellular concrete (5kg)

Working temperature: 40°C 80°C

Installation temperature: 20°C 50°C

Type	Clip sizes	Nail length(mm)	Nail diameter(mm)	Plug diameter	Plug length(mm)	For Drilling
82002200	16 19 or 16 20	40	Ø 2.5	Ø 5.5	23	Ø 5.5
82002300	19 22 or 20 22	40	Ø 2.5	Ø 5.5	23	Ø 5.5

Plastic Cable clip(PCC) ^{NEW}

Plastic part: HDPE. Halogen free, UV stabilized, impact resistant

Suitable Applications: Indoor & outdoor installations

Working temperature: 40°C 80°C

Installation temperature: 20°C 50°C

Type	Clip sizes	Colour	Recommended mounting screw size	
			machine thread screw	Self tapping screw(mm)
82003000	3 5	White	M4	Ø 5
82003100	5 7	White	M4	Ø 5
82003200	7 10	White	M5	Ø 5
82003300	10 14	White	M5	Ø 5
82003400	14 20	White	M6	Ø 6
82003500	20 26	White	M6	Ø 6

Stainless cable clip, round

Stainless steel

corrosion class C4

Plastic part: HDPE. Halogen free, UV stabilized, impact resistant

Suitable Applications: Indoor & outdoor installations

Working temperature: 40°C 80°C

Installation temperature: 20°C 50°C

Single(SCCS)

Type	Clip sizes(mm)
82201000	10
82201100	12
82201200	14
82201300	16



Single(SCCS)



Double(SCCD)

Double(SCCD)

Type	Clip sizes(mm)
82201400	16
82201500	20

B series

Flush-type wall rocker switch for fixed installation, screw terminal



B201, B201P, B352 B202, B202P



B203, B203P B204, B351, B204P



B214P B353, B353P



B201L, B202L B201LP, B202LP

Technical Data: 16A 250VAC

IP-Class: IP20

Certificate(s): CE, Semko

Technical info:

Wiring diagram printed on the rear side.

Thermoplastic in the rocker and cover plate.

Screw terminals.

Flush wiring.

Fit into wall boxes, screw distance cc 60 mm cover plate cc 84 mm.

Type	Description/Remark
B201	1 pole / 2 way, pattern No. 1/6
B202	2 pole, pattern No. 2
B203	1+2 pol, pattern No. 1+2
B204	1 pole and 2 way, pattern No. 5
B351	2 pole and 2 way, pattern No. 6+6
B352	Reversing switch, pattern No. 7
B353	3 gang, pattern No. 1+1+1
B201L	1 pole / 2 way, with indication lamp, pattern No. 1/6
B202L	2 pol, with indication lamp, pattern No. 2
B201P	1 pole / 2 way, push button, pattern No. 1/6
B202P	2 pol, push button, pattern No. 2
B203P	1+2 pol, push button, pattern No. 1+2
B204P	1 pole and 2 way, push button, pattern No.5
B214P	1 pol, plus w/spring (doorbell), pattern No. 1
B353P	3 gang, push button, pattern No. 1+1+1
B201LP	1 pole / 2 way, push button, with indication lamp, pattern No.1/6
B202LP	2 pol, push button, with indication lamp, pattern No. 2

Flush-type wall socket outlet for fixed installation, screw terminal



B207 B20944



B246 B022

Technical Data: 16A 250VAC

IP-Class: IP20

Certificate(s): CE, Semko

Technical info:

Socket outlet with thermoplastic cover. Screw (Pozidriv) terminals socket base, flush wiring. With shutter

Special house (B240) for single socket outlets used when flush mounting cable installation enters as surface mounting, covering the flush box, may be used.

There have two screws in the cover plate.

Fit into wall boxes, screw distance cc 60 mm

Type	Description/Remark
B207	1 way socket, earthed
B20944	1 way socket, earthed, IP44
B246	2 way socket, without earth
B022	2 way socket, earthed

B series

Coaxial outlets

Technical Data: 75 ohm, 7 dB

IP-Class: IP20

Technical info: Flush mounted

Special house (B240) for coaxial outlets used when flush mounting cable installation enters as surface mounting, covering the flush box, may be used

There have single screw (Pozidriv) in the cover plate

Fit into wall boxes, screw distance cc 60 mm

With end terminator (75 ohm)

Thermoplastic center plate 55X55 mm, which fits into "B" series combination plate

Type	Description/Remark
B213	TV/Radio
B215	TV/Radio/Satellite
B213W	Without unit
B213W 2	Center plate only
B215W	Without unit
B215W 2	Center plate only

Telephone & Network Socket Panel without modular jacks, for Keystone modular

Technical Data: Cat 5e or Cat 6

IP-Class: IP20

Technical info: Flush mounted system with modular outlets,

Special house (ETM240P) for modular outlets used when flush mounting cable installation enters as surface mounting, covering the flush box, may be used

There have single screw (Pozidriv) in the cover plate

Fit into wall boxes, screw distance cc 60 mm

Thermoplastic center plate 55X55 mm, which fits into "B" series combination plate

With Stuffer Cup (made by transparent PC)

With shutter

2 x 8 Categories 5e or Categories 6, RJ45, UTP

Type	Description/Remark
B210W	2 x RJ45

Cat5e and Cat6 UTP Tool-Free Keystone Modular

Comply with TIA/EIA 568 B.2 1 requirements

Tool Free

Adapt for 22-26AWG cable

IDC Life: Termination > 200 times

Jack Life: Insertion > 750 times

UL and ETL approved

Contact material: Phosphor Bronze+Gold Plating 50µm

Transmission bandwidth 250MHz

Type	Description/Remark
CAT5EJACKTJ90WH	Cat 5e UTP tool free, 90 degree, white (Other colors available)
CAT6JACKTJ90WH	Cat 6 UTP tool free, 90 degree, white (Other colors available)



B213



B215



End Terminator



B210, B210-1



B series

Telephone & Network Socket Panel without modular jacks, for LexCom modular



Technical Data: Cat 5e or Cat 6

IP-Class: IP20

Technical info: This product is used to be able to mount the LexCom modular to our combination plate.

Flush mounted system without modular outlets,

Special house (B240) for modular outlets used when flush mounting cable installation enters as surface mounting, covering the flush box, may be used

There have two screws (Pozidriv) in the cover plate

Fit into wall boxes, screw distance cc 60 mm

Thermoplastic center plate 55X55 mm, which fits into "B" series combination plate

Type	Description/Remark
B210W L	2 x LexCom

Dimmer

Technical Data: 250VAC

IP Class: IP20

Technical info: The dimmers fit into standard wall boxes from ETMAN (cc 60mm) and in "B" series combination plates. By surface fixing, please use surface house (Typed B240). By surface fixing, in combination with a switch or other regulators/dimmers, please use double surface house (Typed B429). It is easy to rebuild into the coloured Creative line solutions, either as flush or surface mounted by removing plastic parts.

B208/322/328: Is used for incandescent lamps and low voltage halogen in combination with the most frequent electronic transformers.

B325: Is used for incandescent lamps and low voltage halogen in combination with the most frequent electronic transformers or dimmable conventional transformers.

B327: Is used for dimmable LED dimmer.

Type	Description/Remark
B208	315W dimmer, MOS
B322	630W dimmer, without "min" regulation knob
NEW B325	Universal dimmer
NEW B327	LED dimmer
NEW B328	315W dimmer, SCR



B series

Combination plate

All standard 55x55 mm central plate equipment will fit into the combination plate.

Switches need in addition a locking frame to fasten the combination plate to the switch base.

Type	Description/Remark
B262	Single way frame
B205	Double way frame
B206	Three way frame
B234	four way frame



Spring, Ø3.25 *10mm

The spring is used to mounting in insert of our

normal switches work as push button.

Type	Description/Remark
B492	Spring, Ø3.25*10mm



Surface-type wall socket outlet for fixed installation, screw terminals

Technical Data: 16A 250VAC

IP-Class: IP20

Certificate(s): CE, Semko

Technical info: Surface mounted socket outlets with or without earth (schuko), with shutter, screw terminal.

Covering cap made of thermoplastic, which is less rigid but more durable than thermo setting plastic.

Inclusive a back plate, on to which the socket insert is fixed.

Roomy space for cables under the broader covering cap. Fixing screw holes in the back plate for the surface mounting, Screw distance cc 38 mm.

Type	Description/Remark
B1010	1 way socket , without earth
B1011	1 way socket , earthed
B2010	2 way socket , without earth
B2011	2 way socket , earthed
B241	4 way socket , earthed



B241

B series

Surface-type wall rocker switch for fixed installation, screw terminals

Technical Data: 16A 250VAC

IP-Class: IP20

Certificate(s): CE, Semko,

Technical info: Wiring diagram printed on the rear side.

Thermoplastic in the rocker and cover plate.

Screw terminals. Flush wiring.

Screw distance cc 38 mm cover plate cc 73 mm.

Space enough for cables up to 2.5 mm under the cover plate.

Base bottom plate acts at same time as a positioning guide by the door frame under installation.



B221,B342,B221P

B222,B222P



B223,B223P

B224,B341,B224P



B344P

B343,B343P



B221L,B222L
B221LP,B222LP

Type	Description/Remark
B221	1 pole / 2 way, pattern No. 1/6
B222	2 pole , pattern No. 2
B223	1+2 pol , pattern No. 1+2
B224	1 pole and 2 way , pattern No. 5
B341	2 pole and 2 way , pattern No. 6+6
B342	Reversing switch, pattern No. 7
B343	3 gang , pattern No. 1+1+1
B221L	1 pole / 2 way, with indication lamp, pattern No. 1/6
B222L	2 pol, with indication lamp, pattern No. 2
B221P	1 pole / 2 way, push button, pattern No. 1/6
B222P	2 pol, push button , pattern No. 2
B223P	1+2 pol, push button, pattern No. 1+2
B224P	1 pole and 2 way, push button, pattern No.5
B343P	3 gang, push button, pattern No. 1+1+1
B344P	1 pol , plus w/spring (doorbell), pattern No. 1
B221LP	1 pole / 2 way, push button, with indication lamp , pattern No.1/6
B222LP	2 pol, push button, with indication lamp, pattern No. 2

B series

Socket outlet and plug for oven, Norwegian model

Technical Data: 25A 250VAC

IP-Class: IP20

Max. Ambient temp.: 45°C

Certificate(s): CE, Semko

Technical info:

3 flat pin system

Socket outlet: surface type, 2P+E, with thermoplastic cover. Screw (Pozidriv) terminals socket base, flush wiring. Screw distance 66.70x37.0 mm cover plate 90x91 mm. also can fit into wall boxes, screw distance cc 60 mm

Plug: 2P+E, with screw type terminals, straight cable entry.



B229



B230

Type	Description/Remark
B229	Rewirable Plug, white
B230	Wall Socket for fixed installation, surface type

Socket outlet and plug for oven, Swedish model

Technical Data: 16A 230/400VAC

IP-Class: IP20

Certificate(s): CE, Semko

Technical info:

Normal peoples called them "Perilex" plug and socket. The plus and socket are equipped with protective earth (PE), a neutral conductor (N) and three phase conductors (L1, L2, L3; formerly: R, S, T).

Usage of the "Perilex" plug and socket is usually confined to small businesses (e.g. bakeries, restaurants), medical facilities (hospitals, laboratories) and homes (for electric stoves), where it has the advantage of a smaller form factor and better cleanliness.

B422: surface type wall socket, with thermoplastic cover. Screw (Pozidriv) terminals socket base, for flush wiring 1.5 2.5mm² only. Screw distance 49 mm cover plate 67x67 mm.

B420: flush type wall socket, with thermoplastic cover. Screw (Pozidriv) terminals socket base, for flush wiring 1.5 2.5mm² only. Fit into flush junction boxes, screw distance cc 67 mm

B421: Plug, rewirable, with pillar type terminals, for all kind of wire, connectable wire area 1.5 2.5mm², side cable entry.



B422



B420



B421



B248

Type	Description/Remark
B422	Socket, Surface type
B420	Socket, Flush type
B421	Plug, rewirable
B248	Plug with cable, H05VV F 4G1.5mm ²

U series

Flush-type wall rocker switch for fixed installation, screw terminal



U201,U352,U201P U202,U202P



U203,U203P U204,U351,U204P



U214P U353,U353P



U201L,U202L U201LP,U202LP

Technical Data: 16A 250VAC

IP-Class: IP20

Certificate(s): CE, Semko

Technical info:

Wiring diagram printed on the rear side.

Thermoplastic in the rocker and cover plate.

Screw terminals.

Flush wiring.

Fit into wall boxes, screw distance cc 60 mm cover plate cc 84 mm.

Type	Description/Remark
U201	1 pole / 2 way, pattern No. 1/6
U202	2 pole , pattern No. 2
U203	1+2 pol , pattern No. 1+2
U204	1 pole and 2 way , pattern No. 5
U351	2 pole and 2 way , pattern No. 6+6
U352	Reversing switch, pattern No. 7
U353	3 gang , pattern No. 1+1+1
U201L	1 pole / 2 way, with indication lamp, pattern No. 1/6
U202L	2 pol, with indication lamp, pattern No. 2
U201P	1 pole / 2 way, push button,, pattern No. 1/6
U202P	2 pol, push button , pattern No. 2
U203P	1+2 pol, push button, pattern No. 1+2
U204P	1 pole and 2 way, push button, pattern No.5
U214P	1 pol , plus w/spring (doorbell), pattern No. 1
U353P	3 gang, push button, pattern No. 1+1+1
U201LP	1 pole / 2 way, push button, with indication lamp , pattern No.1/6
U202LP	2 pol, push button, with indication lamp, pattern No. 2

Flush-type wall socket outlet for fixed installation, screw terminal



U207 U20944



U246 U022

Technical Data: 16A 250VAC

IP-Class: IP20

Certificate(s): CE, Semko

Technical info:

Socket outlet with thermoplastic cover. Screw (Pozidriv) terminals socket base, flush wiring. With shutter

Special house (U240) for single socket outlets used when flush mounting cable installation enters as surface mounting, covering the flush box, may be used.

There have two screws in the cover plate.

Fit into wall boxes, screw distance cc 60 mm

Type	Description/Remark
U207	1 way socket , earthed
U20944	1 way socket , earthed, IP44
U246	2 way socket , without earth
U022	2 way socket , earthed

U series

Coaxial outlets

Technical Data: 75 ohm, 7 dB

IP-Class: IP20

Technical info:

Flush mounted

Special house (U240) for coaxial outlets used when flush mounting cable installation enters as surface mounting, covering the flush box, may be used

There have single screw (Pozidriv) in the cover plate

Fit into wall boxes, screw distance cc 60 mm

With end terminator (75 ohm)

Thermoplastic center plate 55X55 mm, which fits into "U" series combination plate

Type	Description/Remark
U213	TV/Radio
U215	TV/Radio/Satellite
U213W	Without unit
U213W 2	Center plate only
U215W	Without unit
U215W 2	Center plate only



U213



U215



End Terminator

Telephone & Network Socket Panel without modular jacks, for Keystone modular

Technical Data: Cat 5e or Cat 6

IP-Class: IP20

Technical info:

Flush mounted system with modular outlets,

Special house (U240) for modular outlets used when flush mounting cable installation enters as surface mounting, covering the flush box, may be used

There have single screw (Pozidriv) in the cover plate

Fit into wall boxes, screw distance cc 60 mm

Thermoplastic center plate 55X55 mm, which fits into "U" series combination plate

With Stuffer Cup (made by transparent PC)

With shutter

2 x 8 Categories 5e or Categories 6, RJ45, UTP

Type	Description/Remark
U210W	2 x RJ45



U210,U210 1

Cat5e and Cat6 UTP Tool-Free Keystone Modular

Comply with TIA/EIA 568 B.2 1 requirements

Tool Free

Adapt for 22 26AWG cable

IDC Life: Termination>200 times

Jack Life: Insertion>750 times

UL and ETL approved

Contact material: Phosphor Bronze+Gold Plating 50µm

Transmission bandwidth 250MHz

Type	Description/Remark
CAT5EJACKTJ90WH	Cat 5e UTP tool free, 90 degree, white(Other colors available)
CAT6JACKTJ90WH	Cat 6 UTP tool free, 90 degree, white(Other colors available)



U series

Telephone & Network Socket Panel without modular jacks, for LexCom modular

Technical Data: Cat 5e or Cat 6

IP-Class: IP20

Technical info:

This product is used to be able to mount the LexCom modular to our combination plate.

Flush mounted system without modular outlets,

Special house (U240) for modular outlets used when flush mounting cable installation enters as surface mounting, covering the flush box, may be used

There have two screws (Pozidriv) in the cover plate

Fit into wall boxes, screw distance cc 60 mm

Thermoplastic center plate 55X55 mm, which fits into "U" series combination plate



Type	Description/Remark
U210W L	2 x LexCom

Flush-type dimmer for fixed installation

Technical Data: 250VAC

IP Class: IP20

Technical info:

The dimmers fit into standard wall boxes from ETMAN (cc 60mm) and in "U" series combination plates. By surface fixing, please use surface house (Typed U240). By surface fixing, in combination with a switch or other regulators/dimmers, please use double surface house (Typed U429). It is easy to rebuild into the coloured Creative line solutions, either as flush or surface mounted by removing plastic parts.

U208/322/328: Is used for incandescent lamps and low voltage halogen in combination with the most frequent electronic transformers.

U325: Is used for incandescent lamps and low voltage halogen in combination with the most frequent electronic transformers or dimmable conventional transformers.

U327: Is used for dimmable LED dimmer.



Type	Description/Remark
U208	315W dimmer, MOS
U322	630W dimmer, without "min" regulation knob
NEW U325	Universal dimmer
NEW U327	LED dimmer
NEW U328	315W dimmer, SCR

U series

Combination plate

All standard 55x55 mm central plate equipment will fit into the combination plate.

Switches need in addition a locking frame to fasten the combination plate to the switch base.

Type	Description/Remark
U262	Single way frame
U205	Double way frame
U206	Three way frame
U234	four way frame



Blind Cover

Blind plate is for covering a not used hole in a combination plate.

In some cases the installer puts in for example two wall boxes in the wall but only use one. For this case we need a blind plate to cover another one.

Type	Description/Remark
U263	Blind plate
U264	Blind plate w/steel bracket



U263



U264

Spring, $\Phi 3.25 \times 10\text{mm}$

The spring is used to mounting in insert of our normal switches work as push button.

Type	Description/Remark
U492	Spring, 3.25 *10mm



U series

Surface-type wall rocker switch for fixed installation, screw terminals

Technical Data: 16A 250VAC

IP-Class: IP20

Certificate(s): CE, Semko,

Technical info:

Wiring diagram printed on the rear side.

Thermoplastic in the rocker and cover plate.

Screw terminals.

Flush wiring.

Screw distance cc 38 mm cover plate cc 73 mm.

Space enough for cables up to 2.5 mm under the cover plate.

Base bottom plate acts at same time as a positioning guide by the door frame under installation.



U221,U342,U221P U222,U222P



U223,U223P U224,U341,U224P



U344P U343,U343P



U221L,U222L
U221LP,U222LP

Type	Description/Remark
U221	1 pole / 2 way, pattern No. 1/6
U222	2 pole , pattern No. 2
U223	1+2 pol , pattern No. 1+2
U224	1 pole and 2 way , pattern No. 5
U341	2 pole and 2 way , pattern No. 6+6
U342	Reversing switch, pattern No. 7
U343	3 gang , pattern No. 1+1+1
U221L	1 pole / 2 way, with indication lamp, pattern No. 1/6
U222L	2 pol, with indication lamp, pattern No. 2
U221P	1 pole / 2 way, push button,, pattern No. 1/6
U222P	2 pol, push button , pattern No. 2
U223P	1+2 pol, push button, pattern No. 1+2
U224P	1 pole and 2 way, push button, pattern No.5
U343P	3 gang, push button, pattern No. 1+1+1
U344P	1 pol , plus w/spring (doorbell), pattern No. 1
U221LP	1 pole / 2 way, push button, with indication lamp , pattern No.1/6
U222LP	2 pol, push button, with indication lamp, pattern No. 2

U series

Surface-type wall socket outlet for fixed installation, screw terminals

Technical Data: 16A 250VAC

IP-Class: IP20 (ETM270S, ETM271S:IP44)

Certificate(s): CE, Semko

Technical info:

Surface mounted socket outlets with or without earth (schuko), with shutter, screw terminal.

Covering cap made of thermoplastic, which is less rigid but more durable than thermo setting plastic.

Inclusive a back plate, on to which the socket insert is fixed.

Roomy space for cables under the broader covering cap. Fixing screw holes in the back plate for the surface mounting, Screw distance cc 38 mm.



U1010 U1011



U2010 U2011



U241

Type	Description/Remark
U1010	1 way socket , without earth
U1011	1 way socket , earthed
U2010	2 way socket , without earth
U2011	2 way socket , earthed
U241	4 way socket , earthed

Surface splash proof wall socket outlet for fixed installation, screw terminals

Technical Data: 16A 250VAC

IP-Class: IP44 (The lowest IP degree must be considered when combinations of plug and socket outlets are in use)

Certificate(s): CE, Semko

Technical info:

Surface mounted socket outlets with or without earth (schuko), with shutter, screw terminal.

Covering cap made of thermoplastic, which is less rigid but more durable than thermo setting plastic.

Inclusive a back plate, on to which the socket insert is fixed.

Roomy space for cables under the broader covering cap. Fixing screw holes in the back plate for the surface mounting, Screw distance cc 38 mm.



U270



U271

Type	Description/Remark
U270	1 way socket , earthed, IP44
U271	2 way socket , earthed, IP44

U series

Surface splash proof wall rocker switch for fixed installation, screw terminals



Technical Data: 16A 250VAC

IP-Class:

IP44 (The lowest IP degree must be considered when combinations of plug and socket outlets are in use)

Certificate(s): CE, Semko

Technical info:

Surface mounted protected against corrosion.

There is a knock out draining hole in the bottom to let out condensation water.

Wiring diagram printed on the rear side.

Thermoplastic in the rocker and cover plate.

Screw terminals.

Flush wiring.

Type	Description/Remark
U280	2 pole, pattern No. 2
U282	1 pole / 2 way, pattern No. 1/6
U283	2 pol, pattern No. 2
U284	1 pole and 2 way, pattern No. 5
U280L	2 pole, with indication lamp, pattern No. 2
U282L	1 pole / 2 way, with indication lamp, pattern No. 1/6
U282LP	1 pole / 2 way, Push button, with indication lamp, pattern No. 1/6
U281	2 x 2 pole, 16A, pattern No. 2, IP44
U410	Turn switch, 2 pole, 16A, pattern No. 2, Ip44

Lamp plug and sockets

Technical Data: 6A 250VAC

IP-Class: IP20

Certificate(s): CE, Semko

Flush type roof lamp sockets

Flush, round lamp sockets for roof box, with suspension hook, Collection thermoplastic with newly developed operation. Speed Connections with the lever of dismantling of the leaders. Attach Screws applied in the correct mounting position c c 70 78 mm, Lever for easy dismantling of conductors, Fast connections conductors up to 2.5 mm², External dimensions: Ø110 mm

Type	Description/Remark
U371	Lamp socket, 2 pol earthed, with pothook
U371 1	Lamp socket, 2 pol without earth, with pothook
U371 2	Lamp socket, 3 pol, with pothook



U371

U371-1

U371-2

Lamp plug and sockets

Surface type roof lamp sockets

Surface, round lamp sockets, mounting directly in the ceiling, with demountable suspension hook. Collection thermoplastic with newly developed operation with fast connections, lever of dismantling of the leaders. Can also be mounted on an existing takdosa. Fixing c c 70 78 mm for mounting, Fast connections conductors up to 2.5 mm², External dimensions: Ø110 mm

Type	Description/Remark
U373	Lamp socket, 2 pol earthed, with slot
U373 1	Lamp socket, 2 pol without earth, with slot
U373 2	Lamp socket, 3 pol, with slot



U373



U373-1



U373-2

Surface type wall lamp sockets

Surface wall mounting has integrated bottom plate, Collection thermoplastic with newly developed operation. Speed Connections with the lever of dismantling of the leaders. Integrated base plate with many attachment options facilitates fitting not to trim. Can be mounted on the leading surface. Fast connections conductors up to 2.5 mm², External dimensions: 65 x 65mm

Type	Description/Remark
U372	Lamp socket, 2 pol, earthed, surface type
U372 1	Lamp socket, 2 pol, without earth, surface type
U372 2	Lamp socket, 3 pol, 3 pol, surface type



U372



U372-1



U372-2

Flush type wall lamp sockets

Flush, square lamp sockets for wall mounting the device and junction boxes, Collection thermoplastic with newly developed operation. Speed Connections with the lever of dismantling of the leaders. Support of non leading composite material. Fits in all types of cans. Fixing c c 60, 67, 70 mm for mounting, fast connections conductors up to 2.5 mm², External dimensions: 95 x 95mm

Type	Description/Remark
U570	Lamp socket, 2 pol, earthed
U570 1	Lamp socket, 2 pol, without earth
U576	2 way Lamp socket, 2 pol, earthed
U579	2 way Lamp socket, 2 pol, without earth
NEW U576 2	2 way lamp socket, 2 pol, earthed, with divided outlet



U570

U570-1



U576, U576-2

U579

Lamp plug and sockets



U374 U377



U574

This series also includes:
lamp sockets for cable installation

Type	Description/Remark
U374	Earthed
U377	Without earth
U574	3 pol



U375 U378



U575

Lamp plugs with side cable connection

Type	Description/Remark
U375	Earthed
U378	Without Earth
U575	3 pol



U560 U560-1



U561

Lamp adaptor

Type	Description/Remark
U560	Lamp Adaptor 2x6A front view , Earthed
U560 1	Lamp Adaptor 2x6A front view , Without Earth
U561	Lamp Adaptor 2x6A front view , 3 pol

Downlight box

For downlights and related accessories, the box with four fixed 16mm entries, locking springs, sealing plug included. The box with four 16mm and two 20mm knockout also, you can open it when you need.



Type	Description/Remark
B608	Downlight box
B609	Downlight box with tape

Accessories

Lamp holder

E14

Art.No.	Type	Description/Remark
86300110	863001	white
86300120	863001	black



E27

Art.No.	Type	Description/Remark
86300210	863002	white
86300220	863002	black



E14, whole external thread

Art.No.	Type	Description/Remark
86300310	863003	white
86300320	863003	black



E27, whole external thread

Art.No.	Type	Description/Remark
86300410	863004	white
86300420	863004	black



E14 half external thread

Art.No.	Type	Description/Remark
86302010	863020	white
86302020	863020	black



E27 half external thread

Art.No.	Type	Description/Remark
86302110	863021	white
86302120	863021	black



Accessories

Lamp holder

E27 with switch



Art.No.	Type	Description/Remark
86302210	863022	white
86302220	863022	black

E27 with switch, whole external thread



Art.No.	Type	Description/Remark
86302310	863023	white
86302320	863023	black

E27 with switch, half external thread



Art.No.	Type	Description/Remark
86302410	863024	white
86302420	863024	black

Ring for E14



Art.No.	Type	Description/Remark
86300710	863007	white
86300720	863007	black

Ring for E27



Art.No.	Type	Description/Remark
86300810	863008	white
86300820	863008	black

Accessories

Lamp holder

Cable fixer

Art.No.	Type	Description/Remark
86400110	864001	white
86400211	864002	black



Cable fixer

Art.No.	Type	Description/Remark
86400310	864003	white
86400411	864004	black



Cable fixer set

Art.No.	Type	Description/Remark
86400210	864002	2 pcs plastic tension release with inner thread
		5 pcs hexagonal nut M10x1
		2 pcs thread pipe M10x1 h.15mm
		2 pcs thread pipe M10x1 h.50mm



E27 for ceiling

Art.No.	Type	Description/Remark
86301510	ETM323S	white, screwless terminals



E27 for wall

Art.No.	Type	Description/Remark
86301610	ETM324S	white, screwless terminals



Hanging cable without external thread

Art.No.	Type	Description/Remark
86700110	864140	1m cable



Accessories

Lamp holder

Hanging cable with external thread

Art.No.	Type	Description/Remark
86700210	864141	1m cable

Ceiling cup

Art.No.	Type	Description/Remark
86600110	866001	Ceiling cup, Dia.145mm

Lamp plugs and sockets with cable

Art.No.	Type	Description/Remark
86212110	I17	Lamp plug without earth with cable H03VVH2 F 2x0.75mm ² 0.11M
86212111	I17	Lamp plug without earth with cable H03VVH2 F 2x0.75mm ² 0.155M
86212112	I17	Lamp plug without earth with cable H03VVH2 F 2x0.75mm ² 0.2M
86212113	I17	Lamp plug without earth with cable H03VVH2 F 2x0.75mm ² 2.0M
86212114	I17	Lamp plug without earth with cable H03VVH2 F 2x0.75mm ² 2.2M
86212115	I17	Lamp plug without earth with cable H03VVH2 F 2x0.75mm ² 3.0M
86212010	I18	Lamp plug earthed with cable H03VVH2 F 2x0.75mm ² 0.11M
86212011	I18	Lamp plug earthed with cable H03VVH2 F 2x0.75mm ² 0.155M
86212012	I18	Lamp plug earthed with cable H03VVH2 F 2x0.75mm ² 0.2M
86212013	I18	Lamp plug earthed with cable H03VVH2 F 2x0.75mm ² 2.0M
86212014	I18	Lamp plug earthed with cable H03VVH2 F 2x0.75mm ² 2.2M
86212015	I18	Lamp plug earthed with cable H03VVH2 F 2x0.75mm ² 3.0M

Art.No.	Type	Description/Remark
86415010	I17+U377	Lamp plug without earth with cable H03VV F2X0.75MM2 3M enclosed socket without earth
86416010	I18+U374	Lamp plug earthed with cable H03VV F 3G0.75MM2 3M enclosed socket with earth

Lamp plug without earth with E27 lamp holder

Art.No.	Type	Description/Remark
86414010	I17+E27	Plastic lamp holder, H03VVH2 F 2x0.75mm ² /0.1M
86414020	I17+E27	Plastic lamp holder, H03VVH2 F 2x0.75mm ² /0.155M
86414030	I17+E27	Bakelite lamp holder, H03VVH2 F 2x0.75mm ² /0.1M
86414040	I17+E27	Bakelite lamp holder, H03VVH2 F 2x0.75mm ² /0.155M

Euro plug with cables

Art.No.	Type	Description/Remark
86410010	864100	2M H03VVH2 F 2x0.75mm ² cable w/Europlug
86410011	864100	2.5M H03VVH2 F 2x0.75mm ² cable w/Europlug



I17



I18



I17+U377



I18+U374



Accessories

Euro plug with cables & switch

Art.No.	Type	Description/Remark
86410010	864100	2M H03VVH2 F 2x0.75mm ² white cable without switch
86410020	864100	4m H03VVH2 F 2x0.75mm ² transparent cable without switch
86411010	864110	1.5+0.5M H03VVH2 F 2x0.75mm ² white cable w/switch
86411020	864110	1.8+0.7M H03VVH2 F 2x0.75mm ² transparent cable w/switch
86411030	864110	1.5+0.5M H03VVH2 F 2x0.75mm ² transparent cable w/switch
86411040	864110	1.5+3.5M H03VVH2 F 2x0.75mm ² transparent cable w/switch
86411021	864110	1.0+2.0M H03VVH2 F 2x0.75mm ² transparent cable w/switch



Lamp base set

Art.No.	Type	Description/Remark
86412010	ETM244S	2M H03VVH2 F 2x0.75mm ² cable w/Europlug , E14 lamp holder and fittings
86412035	ETM244S	3.5M H03VVH2 F 2x0.75mm ² cable w/Europlug , E15 lamp holder and fittings



Art.No.	Type	Description/Remark
86413210	ETM320S	Dimmer with H03VVH2 F 2X0.75mm ² / 2.0M cable and Europlug,20 200W

Art.No.	Type	Description/Remark
86413010	864130	Xmas star cable : 4.0M H03VVH2 F 2x0.75mm ² cable w/Europlug & switch & E14 Lamp Holder & hanging



Art.No.	Type	Description/Remark
86411012	864110	2M+0.5M H03VVH2 F 2x0.75mm ² cable w/Europlug & switch , bronze colour

Rewirable Switches

2(1)A 250V ~
1 pol

Art.No.	Type	Description/Remark
83505010	ACS1001	White
83505011	ACS1001	Black
83506010	ACS1001	Silver
83507010	ACS1001	Brass
83509010	ACS1001	Grey



6A 250V ~
2 pol

Art.No.	Type	Description/Remark
83501010	835010	White
83502010	835020	Black



PLUGS AND SOCKETS



Rewirable plug

Art.No.	Type	Description/Remark
83011050	ACP1001	Without earth straight , White
83011051	ACP1001	Without earth straight , Black
83012120	ACP1002	Earthed , straight , White
83012121	ACP1002	Earthed , straight , Black
83013050	ACP1003 1	Without earth , side , White
83013051	ACP1003 1	Without earth , side , Black
83013150	ACP1003	Earthed , side , White
83013151	ACP1003	Earthed , side , Black



Rewirable socket

Art.No.	Type	Description/Remark
83111010	ACJ1011	Without earth , White
83111011	ACJ1011	Without earth , Black
83111110	ACJ1010	Earthed , White
83111111	ACJ1010	Earthed , Black



ACP100244

Rewirable plug, IP44

Resist on low temperature condition: 30 degree

Art.No.	Type	Description/Remark
NEW 83100244	ACP100244	Plug earthed , straight , Black, IP44



ACJ101044 ETM212S 1

Rewirable socket, IP44

Resist on low temperature condition: 30 degree

Spring lid.

Art.No.	Type	Description/Remark
NEW 83112121	ACJ101044	Socket earthed , Red, IP44
83112122	ETM212S 1	2 way socket earthed , Yellow , IP44
83112123	ETM212S 1	2 way socket earthed , Red , IP44

PLUGS AND SOCKETS

Rewirable plug, Rubber

Resist on low temperature condition: 35 degree

Art.No.	Type	Description/Remark
83014420	ETM227S	Earthed , straight , black, IP44
83014421	ETM227S	Earthed , straight , yellow, IP44
83014422	ETM227S	Earthed , straight , orange, IP44



ETM227S

Rewirable socket, Rubber

German IP44

Resist on low temperature condition: 35 degree

Art.No.	Type	Description/Remark
83114420	ETM228S	Earthed , straight , black, IP44
83114421	ETM228S	Earthed , straight , yellow, IP44
83114422	ETM228S	Earthed , straight , orange, IP44



ETM228S

Adaptor

Art.No.	Type	Description/Remark
83212010	ACA2010 1	2x16A front view , without earth
83212111	ACA2010	2x16A front view , earthed
83212210	ACA20012	2x2.5A front view
83213110	ACA3011	2x2.5A+1x16A front view



ACA2010 1

ACA2010

ACA20012

ACA3011

PLUGS AND SOCKETS

Extension cord, PVC



Art.No.	Type	Description/Remark
83310220	ACPW02	H03VVH2 F 2x0.75mm ² / 2M
83310230	ACPW02	H03VVH2 F 2x0.75mm ² / 3M
83310250	ACPW02	H03VVH2 F 2x0.75mm ² / 5M



Art.No.	Type	Description/Remark
83311303	ACPW20	H05VV F 3G1.0mm ² / 3M,earthed
83311313	ACPW20	H05VV F 3G1.5mm ² / 3M,earthed
83311315	ACPW20	H05VV F 3G1.5mm ² / 5M,earthed
83311319	ACPW20	H05VV F 3G1.5mm ² / 10M,earthed



Art.No.	Type	Description/Remark
83312003	ACPW13	Ext. H05VV F 3G1.0mm ² / 3M,earthed
83312013	ACPW13	Ext. H05VV F 3G1.5mm ² / 3M,earthed
83312015	ACPW13	Ext. H05VV F 3G1.5mm ² / 5M,earthed
83312019	ACPW13	Ext. H05VV F 3G1.5mm ² / 10M,earthed

Rubber extension cord, IP44

Resist on low temperature condition: 35 degree
Spring lid.



Art.No.	Type	Description/Remark
83311001	ACPW37+ACJ101044	H05RR F 3G1.5mm ² / 15M (plug and cable: Black, socket: Red)
83311002	ACPW37+ACJ101044	H05RR F 3G1.5mm ² / 20M (plug and cable: Black, socket: Red)
83311003	ACPW37+ACJ101044	H05RR F 3G1.5mm ² / 25M (plug and cable: Black, socket: Red)
83311004	ACPW37+ACJ101044	H05RR F 3G1.5mm ² / 50M (plug and cable: Black, socket: Red)
83311005	ACPW37+ACJ101044	H07RN F 3G1.5mm ² / 10M (plug and cable: Black, socket: Red)
83311006	ACPW37+ACJ101044	H07RN F 3G1.5mm ² / 15M (plug and cable: Black, socket: Red)
83311007	ACPW37+ACJ101044	H07RN F 3G1.5mm ² / 20M (plug and cable: Black, socket: Red)

PLUGS AND SOCKETS

Rubber extension cord, IP44

Resist on low temperature condition: 35 degree
Spring lid.

Art.No.	Type	Description/Remark
83312102	ACPW37+ETM212S 1	2 way Ext. H05RR F 3G1.5mm ² / 15M (plug and cable:Black,socket: Red)
83312103	ACPW37+ETM212S 1	2 way Ext. H05RR F 3G1.5mm ² / 20M (plug and cable:Black,socket: Red)
83312104	ACPW37+ETM212S 1	2 way Ext. H05RR F 3G1.5mm ² / 25M (plug and cable:Black,socket: Red)
83312105	ACPW37+ETM212S 1	2 way Ext. H05RR F 3G1.5mm ² / 50M (plug and cable:Black,socket: Red)
83312110	ACPW37+ETM212S 1	2 way Ext. H07RN F 3G1.5mm ² / 10M (plug and cable:Black,socket: Red)
83312111	ACPW37+ETM212S 1	2 way Ext. H07RN F 3G1.5mm ² / 15M (plug and cable:Black,socket: Red)
83312112	ACPW37+ETM212S 1	2 way Ext. H07RN F 3G1.5mm ² / 20M (plug and cable:Black,socket: Red)



German IP44

Resist on low temperature condition: 35 degree

Art.No.	Type	Description/Remark
83311803	ACPW38	Ext. H05RR F 3G1.5mm ² / 20M , Black
83311804	ACPW38	Ext. H05RR F 3G1.5mm ² / 25M , Black
83311805	ACPW38	Ext. H05RR F 3G1.5mm ² / 50M , Black
83311809	ACPW38	Ext. H07RN F 3G1.5mm ² / 5M , Black
83311810	ACPW38	Ext. H07RN F 3G1.5mm ² / 10M , Black
83311811	ACPW38	Ext. H07RN F 3G1.5mm ² / 15M , Black
83311812	ACPW38	Ext. H07RN F 3G1.5mm ² / 20M , Black
83311813	ACPW38	Ext. H07RN F 3G1.5mm ² / 25M , Black



PLUGS AND SOCKETS

Socket outlet

Art.No.	Type	Description/Remark
83410401	ACJ4201	4 way power socket H05VV F 2x1.0mm ² / 1.5M, without earth
83410404	ACJ4201	4 way power socket H05VV F 2x1.0mm ² / 3.0M, without earth
83410402	ACJ4201	4 way power socket H05VV F 2x1.5mm ² / 1.5M, without earth
83410403	ACJ4201	4 way power socket H05VV F 2x1.5mm ² / 3.0M, without earth

Art.No.	Type	Description/Remark
83411301	ETM3010	3 way power socket H05VV F 3G1.0mm ² / 1.5M
83411302	ETM3010	3 way power socket H05VV F 3G1.5mm ² / 1.5M
83411303	ETM3010	3 way power socket H05VV F 3G1.5mm ² / 3.0M
83411304	ETM3010	3 way power socket H05VV F 3G1.5mm ² / 5.0M

Art.No.	Type	Description/Remark
83411330	ETM3010	3 way power socket H05VV F 3G1.0mm ² / 1.5M, Transparent orange
83411331	ETM3010	3 way power socket H05VV F 3G1.5mm ² / 1.5M, Transparent orange
83411332	ETM3010	3 way power socket H05VV F 3G1.5mm ² / 3.0M, Transparent orange
83411340	ETM3010	3 way power socket H05VV F 3G1.0mm ² / 1.5M, Transparent blue
83411341	ETM3010	3 way power socket H05VV F 3G1.5mm ² / 1.5M, Transparent blue
83411342	ETM3010	3 way power socket H05VV F 3G1.5mm ² / 3.0M, Transparent blue

Art.No.	Type	Description/Remark
83411410	ACJ4110+MOV	4 way power socket H05VV F 3G1.0mm ² / 1.5M, with switch and MOV
83411412	ACJ4110+MOV	4 way power socket H05VV F 3G1.5mm ² / 1.5M, with switch and MOV
83411413	ACJ4110+MOV	4 way power socket H05VV F 3G1.5mm ² / 3.0M, with switch and MOV
83411415	ACJ4110+MOV	4 way power socket H05VV F 3G1.5mm ² / 5.0M, with switch and MOV

Art.No.	Type	Description/Remark
83411601	ETM6110	6 way power socket H05VV F 3G1.0mm ² / 1.5M, with switch
83411611	ETM6110	6 way power socket H05VV F 3G1.0mm ² / 1.5M, with switch, Black
83411602	ETM6110	6 way power socket H05VV F 3G1.5mm ² / 1.5M, with switch
83411603	ETM6110	6 way power socket H05VV F 3G1.5mm ² / 3.0M, with switch
83411605	ETM6110	6 way power socket H05VV F 3G1.5mm ² / 5.0M, with switch

Art.No.	Type	Description/Remark
83411701	ACJ7010	3x16A+4x2.5A power socket H05VV F 3G1.0mm ² / 1.5M, with switch
83411702	ACJ7010	3x16A+4x2.5A power socket H05VV F 3G1.5mm ² / 1.5M, with switch
83411703	ACJ7010	3x16A+4x2.5A power socket H05VV F 3G1.5mm ² / 3.0M, with switch

PLUGS AND SOCKETS

3 way power socket

Art.No.	Type	Description/Remark
83413310	LM01	H05VV F 3G1.0mm ² / 1.5M, Transparent orange
83413313	LM01	H05VV F 3G1.0mm ² / 2.5M, Transparent orange
83413311	LM01	H05VV F 3G1.5mm ² / 1.5M, Transparent orange
83413312	LM01	H05VV F 3G1.5mm ² / 3.0M, Transparent orange
83413320	LM01	H05VV F 3G1.0mm ² / 1.5M, Transparent blue
83413323	LM01	H05VV F 3G1.0mm ² / 2.5M, Transparent blue
83413321	LM01	H05VV F 3G1.5mm ² / 1.5M, Transparent blue
83413322	LM01	H05VV F 3G1.5mm ² / 3.0M, Transparent blue
83413330	LM01	H05VV F 3G1.0mm ² / 1.5M, Transparent green
83413333	LM01	H05VV F 3G1.0mm ² / 2.5M, Transparent green
83413331	LM01	H05VV F 3G1.5mm ² / 1.5M, Transparent green
83413332	LM01	H05VV F 3G1.5mm ² / 3.0M, Transparent green
83413340	LM01	H05VV F 3G1.0mm ² / 1.5M, Transparent smoked
83413343	LM01	H05VV F 3G1.0mm ² / 2.5M, Transparent smoked
83413341	LM01	H05VV F 3G1.5mm ² / 1.5M, Transparent smoked
83413342	Lm01	H05VV F 3G1.5mm ² / 3.0M, Transparent smoked

Socket outlet

4 way power socket

Art.No.	Type	Description/Remark
83413410	LM02	H05VV F 3G1.0mm ² / 1.5M, Transparent orange
83413413	LM02	H05VV F 3G1.0mm ² / 2.5M, Transparent orange
83413411	LM02	H05VV F 3G1.5mm ² / 1.5M, Transparent orange
83413412	LM02	H05VV F 3G1.5mm ² / 3.0M, Transparent orange
83413420	LM02	H05VV F 3G1.0mm ² / 1.5M, Transparent blue
83413423	LM02	H05VV F 3G1.0mm ² / 2.5M, Transparent blue
83413421	LM02	H05VV F 3G1.5mm ² / 1.5M, Transparent blue
83413422	LM02	H05VV F 3G1.5mm ² / 3.0M, Transparent blue
83413430	LM02	H05VV F 3G1.0mm ² / 1.5M, Transparent green
83413433	LM02	H05VV F 3G1.0mm ² / 2.5M, Transparent green
83413431	LM02	H05VV F 3G1.5mm ² / 1.5M, Transparent green
83413432	LM02	H05VV F 3G1.5mm ² / 3.0M, Transparent green
83413440	LM02	H05VV F 3G1.0mm ² / 1.5M, Transparent smoked
83413443	LM02	H05VV F 3G1.0mm ² / 2.5M, Transparent smoked
83413441	LM02	H05VV F 3G1.5mm ² / 1.5M, Transparent smoked
83413442	Lm02	H05VV F 3G1.5mm ² / 3.0M, Transparent smoked

Accessories

Art.No.	Type	Description/Remark
83910000	839100	Children protection, for Schuko socket, white



PLUGS AND SOCKETS

Industrial plug and socket



Art.No.	Description/Remark
83600400	16A 230V, 216 6h, 2 pole, blue
83600500	16A 230V, 316 9h, 3 pole, blue
83600600	32A 230V, 332 9h, 3 pole, blue



Art.No.	Description/Remark
83600700	16A 400V, 316 6h, 3 pole, red
83600800	16A 400V, 416 6h, 4 pole, red
83600900	32A 400V, 332 6h, 3 pole, red
83601000	32A 400V, 432 6h, 4 pole, red



Art.No.	Description/Remark
83601100	16A 230V, 216 6h, 2 pole, blue,
83601200	16A 230V, 316 9h, 3 pole, blue
83601300	32A 230V, 332 9h, 3 pole, blue



Art.No.	Description/Remark
83601400	16A 400V, 316 6h, 3 pole, red
83601500	16A 400V, 416 6h, 4 pole, red
83601600	32A 400V, 332 6h, 3 pole, red
83601700	32A 400V, 432 6h, 4 pole, red



Art.No.	Description/Remark
83601800	16A 230V, 216 6h, 2 pole, blue
83601900	16A 230V, 316 9h, 3 pole, blue
83602000	32A 230V, 332 9h, 3 pole, blue



Art.No.	Description/Remark
83602100	16A 400V, 316 6h, 3 pole, red
83602200	16A 400V, 416 6h, 4 pole, red
83602300	32A 400V, 332 6h, 3 pole, red
83602400	32A 400V, 432 6h, 4 pole, red



Art.No.	Description/Remark
83602500	16A 230V, 216 6h, 2 pole, blue
83602600	16A 230V, 316 9h, 3 pole, blue
83602700	32A 230V, 332 9h, 3 pole, blue



Art.No.	Description/Remark
83602800	16A 400V, 316 6h, 3 pole, red
83602900	16A 400V, 416 6h, 4 pole, red
83603000	32A 400V, 332 6h, 3 pole, red
83603100	32A 400V, 432 6h, 4 pole, red

PLUGS AND SOCKETS

Industrial plug and socket

Art.No.	Description/Remark
83610300	400V 416 6 plug to IP44 2 way 250V schuko socket , H07RN F 3G2.5mm / 1.0M
83610308	400V 416 6 plug to IP44 2 way 250V schuko socket , H07RN F 3G1.5mm / 0.8M



Art.No.	Description/Remark
83610400	230V 316 9 plug to IP44 2 way 250V schuko socket , H07RN F 3G2.5mm / 1.0M
83610000	230V 216 6 plug to IP44 2 way 250V schuko socket , H07RN F 3G2.5mm / 1.5M



Art.No.	Description/Remark
83612201	400V 416 6 plug to IP44 3 way 250V Schuko socket , H07RN F 3G2.5mm ² / 1.0M



Art.No.	Description/Remark
83612301	230V 316 9 plug to IP44 3 way 250V Schuko socket , H07RN F 3G2.5mm ² / 1.0M



Art.No.	Description/Remark
83610500	230V 216 6 plug to IP44 1 way 230V schuko socket , H07RN F 3G1.5mm / 1.5M
83610503	230V 216 6 plug to IP44 1 way 230V schuko socket , H07RN F 3G1.5mm / 0.5M
83610501	230V 216 6 plug to IP44 1 way 230V schuko socket , H07RN F 3G2.5mm / 0.5M
83610502	230V 216 6 plug to IP44 1 way 230V schuko socket , H07RN F 3G2.5mm / 1.5M



Art.No.	Description/Remark
83610600	IP44 230V schuko plug to 230V 216 6 socket , H07RN F 3G2.5mm / 0.5M
83610601	IP44 230V schuko plug to 230V 216 6 socket , H07RN F 3G2.5mm / 1.5M
83610602	IP44 230V schuko plug to 230V 216 6 socket , H07RN F 3G1.5mm / 1.5M



PLUGS AND SOCKETS

Cable reel

Voltage: 250VAC
Frequency: 50Hz
Colour: black
Main material: PC (Halogen free)
IP-Class: IP44
Certificate(s): GS (VDE for cable)
Technical info:
 Load with full extended cable: 2800W
 Load with full reeled cable: 1000 W

4 Schuko sockets

Art.No.	Description/Remark
83511525	H07RN F 3G1.5mm / 25M
83511540	H07RN F 3G1.5mm / 40M
83512525	H07RN F 3G2.5mm / 25M

3 Schuko sockets and 1 CEE socket (16A 6H, 3P+N+E)
 with CEE plug (16A 6H, 3P+N+E)

Art.No.	Description/Remark
83513525	H07RN F 5G2.5mm / 25M



PDB

PDBs are normally installed on the load side of under centers.
 PDBs are designed and certified according to EN60439 4:2004 used in conjunction with EN 60439 1:1999 + A1:2004.

PDBs are available in bag models, mini and midi bag 16 to 32 A and as cabinet models 32 to 63 A.
 Made of durable thermoplastic nature.

Manufactured according to standard EN60439 4:2004 used in conjunction with EN 60439 1:1999 + A1:2004.
 CE marked.

Small and handy construction central.
 Enclosure is made of durable thermoplastic nature.
 Self closing transparent lid over miniature circuit breakers.
 Grip friendly handle with hole to fix a hook
 Contains earth as the default outgoing groups fused with miniature circuit breakers of the C characteristic

Art.No.	Description/Remark
82501000	Floor Stand For Plastic PDB



PLUGS AND SOCKETS

PDB

Art.No.	Description/Remark
83611701	16A 400V, 4 Schuko sockets, 1 pole fuse Input: 416 6 industrial plug Output: Secured by RCCB (40A, 4P, 0.03A) 4×16A Schuko socket, Secured by 2×MCB(16A, 1P) 2×416 6 industrial socket
83611702	32A 400V, 4 Schuko sockets, 1 pole fuse Input: 432 6 industrial plug Output: Secured by RCCB (40A, 4P, 0.03A) 4×16A Schuko socket, Secured by 2×MCB(16A, 1P) 1×416 6 industrial socket, Secured by MCB(16A, 4P) 1×432 6 industrial socket
83611703	16A 400V, 8 Schuko sockets, 1 pole fuse Input: 416 6 industrial plug Output: Secured by RCCB (40A, 4P, 0.03A) 8×16A Schuko socket, Secured by 4×MCB(16A, 1P) 2×416 6 industrial socket
83611704	32A 400V, 8 Schuko sockets, 1 pole fuse Input: 432 6 industrial plug Output: Secured by RCCB (40A, 4P, 0.03A) 8×16A Schuko socket, Secured by 4×MCB(16A, 1P) 1×416 6 industrial socket, Secured by MCB(16A, 4P) 1×432 6 industrial socket
1523187 83610700	16A 230V, 4 Schuko sockets, 2 pole fuse Input: 316 9 industrial plug Output: Secured by RCCB (40A, 4P, 0.03A) 4×16A Schuko socket, Secured by 2×MCB(16A, 2P) 2×316 9 industrial socket
1523188 83611000	16A 400V, 4 Schuko sockets, 2 pole fuse Input: 416 6 industrial plug Output: Secured by RCCB (40A, 4P, 0.03A) 4×16A Schuko socket, Secured by 2×MCB(16A, 2P) 2×416 6 industrial socket
1501478 83610800	32A 230V, 4 Schuko sockets, 2 pole fuse Input: 332 9 industrial plug Output: Secured by RCCB (40A, 4P, 0.03A) 4×16A Schuko socket, Secured by 2×MCB(16A, 2P) 1×316 9 industrial socket, Secured by MCB(16A, 3P) 1×332 9 industrial socket
1501479 83611100	32A 400V, 4 Schuko sockets, 2 pole fuse Input: 432 6 industry plug Output: Secured by RCCB (40A, 4P, 0.03A) 4×16A Schuko socket, Secured by 2×MCB(16A, 2P) 1×416 6 industry socket, Secured by MCB(16A, 4P) 1×432 6 industry socket
1501480 83610900	32A 230V, 8 Schuko sockets, 2 pole fuse Input: 332 9 industrial plug Output: Secured by RCCB (40A, 4P, 0.03A) 8×16A Schuko socket, Secured by 4×MCB(16A, 2P) 2×332 9 industrial socket
1501481 83611200	32A 400V, 8 Schuko sockets, 2 pole fuse Input: 432 6 industrial plug Output: Secured by RCCB (40A, 4P, 0.03A) 8×16A Schuko socket, Secured by 3×MCB(16A, 2P), 1×416 6 industrial socket, Secured by MCB(16A, 4P) 1×432 6 industrial socket



Scart Series

Art.No.	Type	Description/Remark
85000202	850002	21 pin scart plug to 2 x 21 pin scart jacks box/0.2M
85000205	850002	21 pin scart plug to 2 x 21 pin scart jacks box/0.5M
85000302	850003	21 pin scart plug to 3 x 21 pin scart jacks box/0.2M
85000305	850003	21 pin scart plug to 3 x 21 pin scart jacks box/0.5M
85000502	850005	21 pin scart plug to 5 x 21 pin scart jacks box/0.2M
85000505	850005	21 pin scart plug to 5 x 21 pin scart jacks box/0.5M

21 pin scart plug to 21 pin scart plug

Art.No.	Type	Description/Remark
85000101	ETM0719	1M,round cable
85000102	ETM0719	1.5M,round cable
85000103	ETM0719	2M,round cable
85000104	ETM0719	3.0M,round cable
85000105	ETM0719	5.0M,round cable
85000111	ETM0719	1M,transparent round cable
85000112	ETM0719	1.5M,transparent round cable
85000113	ETM0719	2M,transparent round cable

Art.No.	Type	Description/Remark
85000601	850006	21 pin scart plug to 21 pin scart plug /1M,flat cable
85000602	850006	21 pin scart plug to 21 pin scart plug /2M,flat cable

Art.No.	Type	Description/Remark
85000701	850007	21 pin scart plug to 2 x RCA plugs cable
85001005	850010	21 pin scart plug to 5 x RCA plugs cable

Art.No.	Type	Description/Remark
85000801	850008	21 pin scart plug to 3 x RCA jacks with switch
85000901	850009	21 pin scart plug to 3 x RCA jacks and S VHS jacks with switch

Computer Accessory

Art.No.	Type	Description/Remark
85100110	851001	USB A plug to USB A plug , 2M
85100310	851003	USB A plug to USB B plug , 2M
85100510	851005	USB B plug to USB B plug , 2M
85100710	851007	USB A plug to USB A jack , 2M
85100910	851009	USB B plug to USB B jack , 2M
85101010	851010	USB A plug to Mini USB 5 pin transparent jacket, 2M
85101110	851011	USB A plug to Mini USB 4 pin jacket, 2M
85101210	851012	Mini USB 4 pin to Mini USB 4 pin, 2M
85101310	851013	Mini USB 5 pin to Mini USB 5 pin, 2M
85101410	851014	USB A plug to Micro USB plug, 2M

Art.No.	Type	Description/Remark
85102101	ETM471S	USB HUB , USB A plug to 4 x USB A jack , version 2.0 / 1.0M

Art.No.	Type	Description/Remark
85103000	851030	HDMI cable,1.5Mtr.

Patch Cord

With cable tray inside in the RJ45 connector, high performance with ETL verification
Customized Color and length are available.
Jacket material PVC (CM, CMR) and LSZH are available.

Type	Description/Remark
UTP6XXYPVC	Cat6 UTP patch cord., PVC
UTP6XXYLSZH	Cat6 UTP patch cord., LSZH
UTP5EXXYPVC	Cat5E UTP patch cord., PVC
UTP5EXXYSZH	Cat5E UTP patch cord., LSZH

IL<0.3db, RL>50db. LSZH Jacket.
Conform to IEC, EIA TIA, and Telecordia performance requirements
Available in different fibre types
Available with different connector types
Available in standard and custom lengths
RoHS, REACH (SvHC) compliant

Type	Description/Remark
LCLCOM3DAQXP/Z (X Denotes length)	LC LC Duplex Fiber Optical patch cord.

Radio & TV

Video Extension cord

Art.No.	Type	Description/Remark
85200000	ETM0202	9.5mm TV plug to TV jack, 3C2Vcable white / 1.5M
85200001	ETM0202	9.5mm TV plug to TV jack, 3C2Vcable white / 2.5M
85200002	ETM0202	9.5mm TV plug to TV jack, 3C2Vcable white / 5.0M
85200003	ETM0202	9.5mm TV plug to TV jack, 3C2Vcable white / 10M

Video apaptor

Art.No.	Type	Description/Remark
85200110	ETM51712	9.5mm TV plug to 2 x 9.5mm TV jacks
85200210	ETM51713	9.5mm TV jack to 2 x 9.5mm TV plugs

Coaxial cable connector

Art.No.	Type	Description/Remark
85200302	ETM8060	F type connector for RG60
85200412	ETM8070	F type connector for RG59

Art.No.	Type	Description/Remark
85200510	ETM80713 ETM5252	F type socket

Art.No.	Type	Description/Remark
85200610	ETM5121	Coaxial inline connector screw type

Art.No.	Type	Description/Remark
85200710	ETM5180	Coaxial TV aerial wire connector plug angle type (screw type)
85200810	ETM5181	Coaxial TV aerial wire connector jack angle type (screw type)
85207810	ETM5180+ETM5181	Plug and Jack one set



CONNECTORS

Radio & TV



Art.No.	Type	Description/Remark
85200910	ETM5151	9,5 mm TV male plug to male adaptor



Art.No.	Type	Description/Remark
85201010	ETM5150	9,5 mm TV female plug to female adaptor



Art.No.	Type	Description/Remark
85201110	ETM5101	Coaxial connector 9,5mm male



Art.No.	Type	Description/Remark
85201210	ETM5102	Coaxial connector 9,5mm female



Art.No.	Type	Description/Remark
85201310	ETM5190	Right angle standard connector 9,5mm male
85201410	ETM5191	Right angle standard connector 9,5mm female



Art.No.	Type	Description/Remark
85201510	ETM6060	9,5 mm TV female plug to 2x9,5mm TV male adaptor
85201610	ETM6050	9,5 mm TV male plug to 2x9,5mm TV female adaptor



Art.No.	Type	Content	Description/Remark
85201710	852017	1	RG59, cable, 20M
		30	ETM019S, cable clip, round
		1	ETM51713, video adaptor
		1	ETM5180, male connect
		1	ETM5181, female connect

Digital antennae



Gain: VHF: 16~20dB UHF:18~28dB
 Operation Frequency: 65~900MHz
 Output Impedance: 75 ohm
 Standing Wave Ratio: < 1.5
 Voltage: AC 110V or 220V
 Gift box size: 32.8 × 17.5 × 5cm
 Net Weight per piece: 650~750 gramm

Art.No.	Type	Description/Remark
85209910	TNY 2008	Digital antennae

CONNECTORS

TV splitter

High performance
 Color:White

Art.No.	Type	Description/Remark
85201810	VK11089	2 way TV splitter
85201910	VK11091	4 way TV splitter



Digital antennae

FEATURE:

For indoor use, available for two TVs
 Designed for TV full band amplification
 Designed SMD technology achieves high stability
 REI shielded metal housing with compact ABS plastic shelter
 Built in internal power supply for direct main AC powering

OPERATING INSTRUCTIONS:

Connect a 75 ohm coaxial cable from the antenna to the ANT terminal on the amplifier
 Use 75 ohm coaxial to connect the TV1, TV2 terminal on amplifier to the TV/FM receiver
 Simply plug the amplifier into standard 230V~ house hold outlet. Now it is ready to use
 Gain control: Rotate this control to vary the amount of gain for signal of different strengths

SPECIFICATIONS:

Frequency range: 47 862 MHZ
 Gain: 18 dB x 2
 Gain control: 0 10 dB
 Noise figure: 6 dB
 Max. output level: 85 dBuV
 Impedance input: 75Ω
 Impedance output:75Ω x 2

Art.No.	Type	Description/Remark
85202010	ACZ650	Digital antennae



CONNECTORS

Radio & TV

Adaptor



Art.No.	Type	Description/Remark
85300300	ETM40800	RCA jack to RCA jack

Video & Audio Cable



Art.No.	Type	Description/Remark
85300000	ETM0106	2 RCA plug to 2 RCA plug / 1.5M
85300001	ETM0106	2 RCA plug to 2 RCA plug / 3.0M
85300002	ETM0106	2 RCA plug to 2 RCA plug / 5.0M



Art.No.	Type	Description/Remark
85300101	ETM0026	3.5mm stereo plug to 2 RCA plug / 1.5M
85300102	ETM0026	3.5mm stereo plug to 2 RCA plug / 3.0M
85300103	ETM0026	3.5mm stereo plug to 2 RCA plug / 5.0M

S VHS Cable



Art.No.	Type	Description/Remark
85300201	853002	Mini 4p plug to 4p plug / 1.5M
85300202	853002	Mini 4p plug to 4p plug / 3.0M
85300203	853002	Mini 4p plug to 4p plug / 5.0M

Telephone Accessory

Extension cord



Art.No.	Type	Description/Remark
85400401	854004	8P4C+6P4C / 2M
85400405	854004	8P4C+6P4C / 5M
85400402	854004	8P4C+6P4C / 10M
85400420	854004	8P4C+6P4C / 20M
85400501	854005	8P4C+8P4C / 2M
85400502	854005	8P4C+8P4C / 10M

Coiled Extension Cord



Art.No.	Type	Description/Remark
85401010	854010	4P4C+4P4C / 2.5M

Phone Wire Box



Art.No.	Type	Description/Remark
85400710	854007	6P4C

Line Extension Cord



Art.No.	Type	Description/Remark
85400810	T2006	8P8C plug to 2 x 8P8C jack / 0.1M

CONNECTORS

Telephone Accessory

DIY Telephone Extension

Art.No.	Type	Content	Quantity/bag
		ETM020S , Cable clip flat 3x10mm	15
85400610	854006	Phone wire with plug 8P4C / 15M	1
		Phone wire box	1
		Modular triplex adaptor	1



2 LINE, T JACK

Art.No.	Type	Description/Remark
85401110	854011	6P2C



Announcement Stopping Device

Art.No.	Type	Description/Remark
85401210	854012	6P4C



Modular Triplex Adapter

Art.No.	Type	Description/Remark
85401310	854013	6P4C
85401410	854014	6P6C



Modular Duplex Jack

Art.No.	Type	Description/Remark
85401510	854015	6P2C
85401510	854015	6P6C
85401610	854016	6P4C
85401610	854016	8P8C



Modular Cord Coupler

Art.No.	Type	Description/Remark
85401710	854017	6P2C
85401810	854018	6P4C
85401910	854019	6P6C
85402010	854020	8P8C



Modular Cord Coupler, 1 to 2

Art.No.	Type	Description/Remark
85402710	854027	6P2C
85402810	854028	6P4C
85402910	854029	6P6C
85403010	854030	8P8C



Telephone Accessory

Telephone & Network Plug



Art.No.	Type	Description/Remark
85402110	854021	4P4C
85402210	854022	6P2C
85402310	854023	6P4C
85402410	854024	6P6C
85402510	854025	8P8C
85402610	854026	8P8C

Telephone Accessory, Finland



Art.No.	Type	Description/Remark
85410010	854100	Plug



Art.No.	Type	Description/Remark
85410110	854101	Wall jack



Art.No.	Type	Description/Remark
85410210	854102	Plug/jack adaptor



Art.No.	Type	Description/Remark
85410410	854104	Extension cord plug/jack adaptor to jack , length 2m
85410411	854104	Extension cord plug/jack adaptor to jack , length 6m
85410412	854104	Extension cord plug/jack adaptor to jack , length 10m



Art.No.	Type	Description/Remark
85410510	854105	Extension cord plug to modular plug , length 2m
85410511	854105	Extension cord plug to modular plug , length 6m
85410512	854105	Extension cord plug to modular plug , length 10m



Art.No.	Type	Description/Remark
85410610	854106	Extension cord plug to jack , length 2m

Telephone Accessory, Sweden



Art.No.	Description/Remark
85412010	Telephone Jack



Art.No.	Description/Remark
85412910	Plug/Jack Adapter to Jack



Art.No.	Description/Remark
85412810	Plug to Jack Cord Caddy



Art.No.	Description/Remark
85413010	Round Jack with Modular Jack Adapter



Art.No.	Description/Remark
85413110	Plug with Modular Jack Adapter