

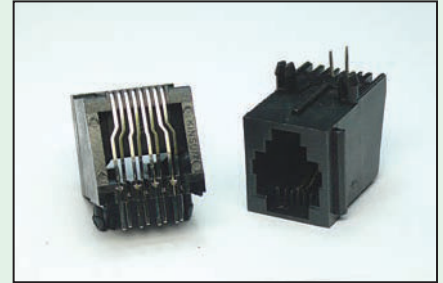
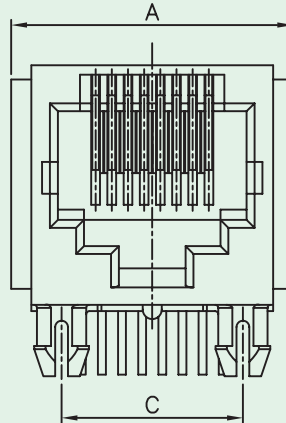
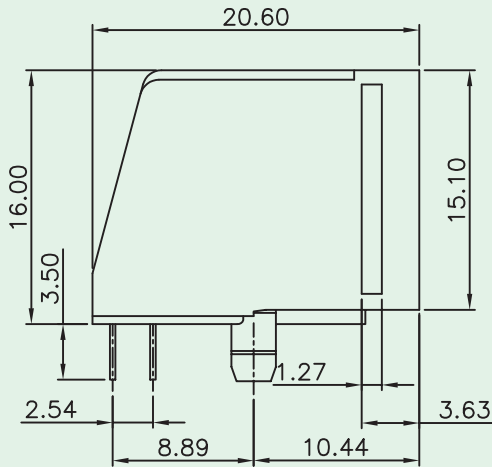


<b>- PCB-Mount RJ Jack</b>	<b>1-93</b>
<b>- Side Entry Single-Level Jack</b>	<b>1</b>
<b>- Side Entry Double-Level Jack</b>	<b>57</b>
<b>- Top Entry Jack</b>	<b>66</b>
<b>- Bottom Entry Jack</b>	<b>88</b>
<b>- 45 &amp; 70-Degree Jack</b>	<b>89</b>
<b>- PCB-Mount RJ Jack with Magnetic</b>	<b>94-105</b>
<b>- Side Entry Jack</b>	<b>94</b>
<b>- Top Entry Jack</b>	<b>102</b>
<b>- RJ Jack + USB</b>	<b>103</b>
<b>- Non-PCB-Mount RJ Jack</b>	<b>106-123</b>
<b>- Coupler</b>	<b>108</b>
<b>- Keystone Jack</b>	<b>111</b>
<b>- Jack with Wire</b>	<b>122</b>
<b>- Surface and Wall-Mount Jack</b>	<b>123</b>

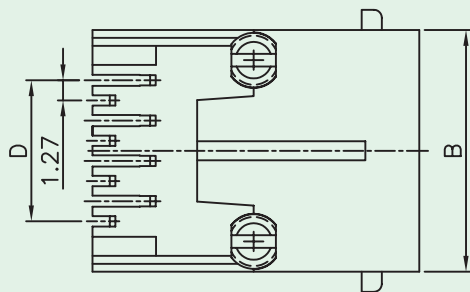


# Side Entry PCB Jack

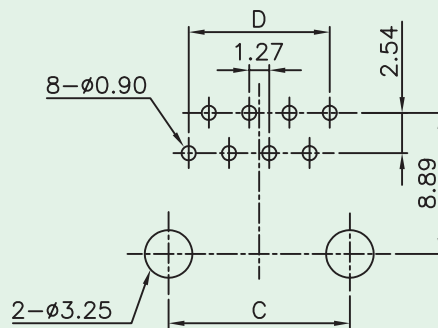
**KINSUN**



No. of Positions	Dimension			
	A	B	C	D
4	13.72	11.18	7.62	3.81
6	15.75	13.21	10.16	6.35
8	17.78	15.24	11.43	8.89



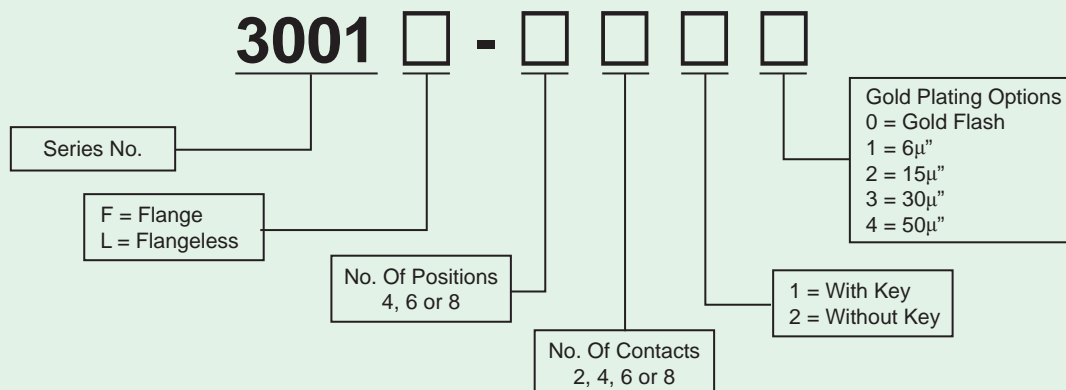
PCB LAYOUT/TOP VIEW



## Materials

- **Plastic Housing** : Engineering Thermoplastic.  
Flammability Rating UL 94V-0.
- **Contacts** : Phosphor Bronze.
- **Plating** : Gold Plating Over Nickel In Contact.  
Tin Plating Over Nickel In Solder Area.

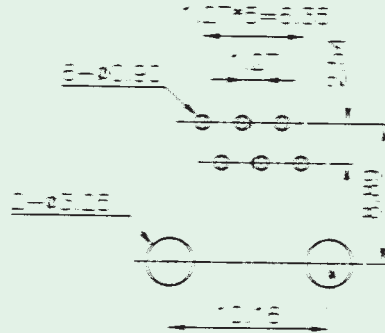
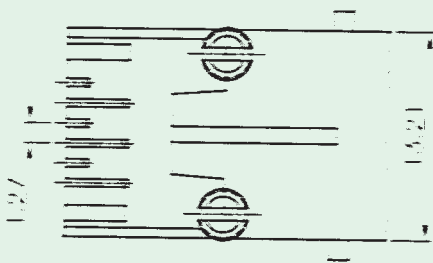
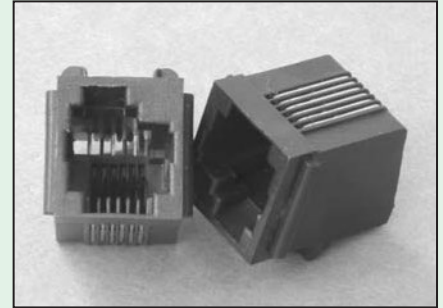
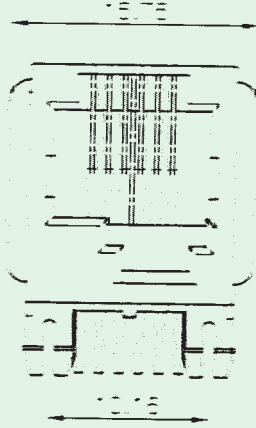
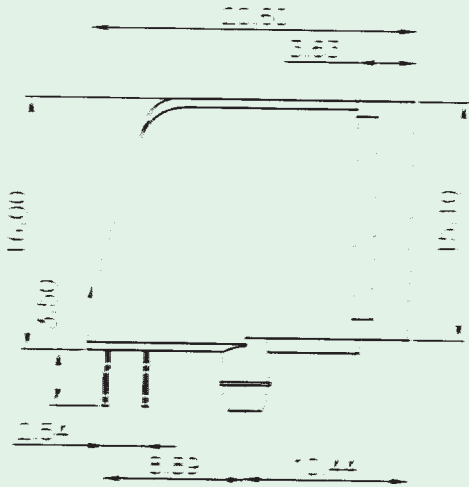
## Ordering Information





# Side Entry PCB Jack With Offset (DEC Type)

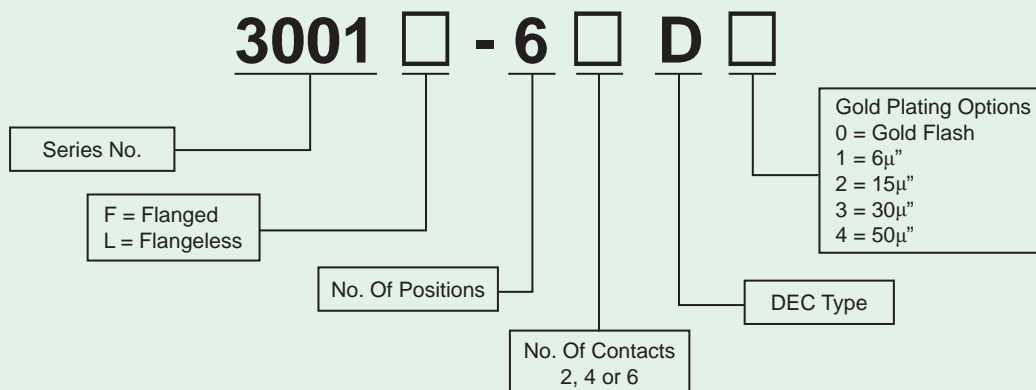
**KINSUN**



## Materials

- **Housing** : Engineering Thermoplastic.  
Flammability Rating UL 94V-0.
- **Contacts** : Phosphor Bronze.
- **Plating** : Gold Plating Over Nickel In Contact Area.  
Tin Plating Over Nickel In Solder Area.

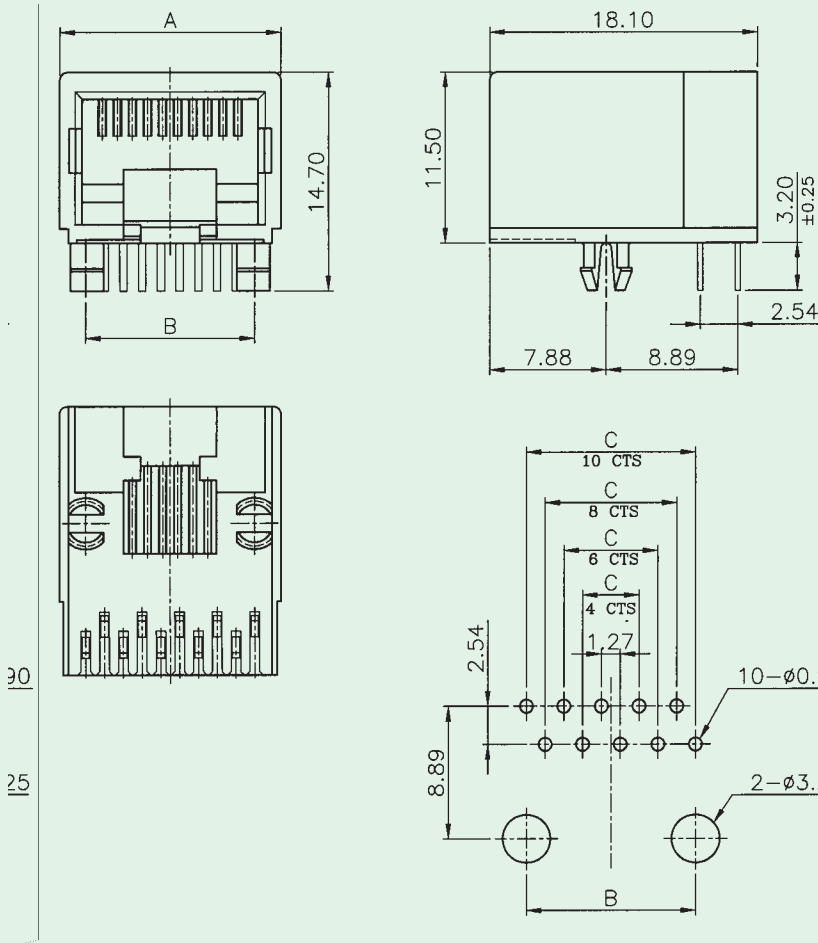
## Ordering Information





# Side Entry PCB Jack (Very Low Profile, Unshielded)

**KINSUN**



No. of Positions	Dimensions		
	A	B	C
4	11.21	7.62	3.81
6	12.96	10.16	6.35
6*	15.00	11.43	6.35
8	15.00	11.43	8.89
10	15.00	11.43	11.43

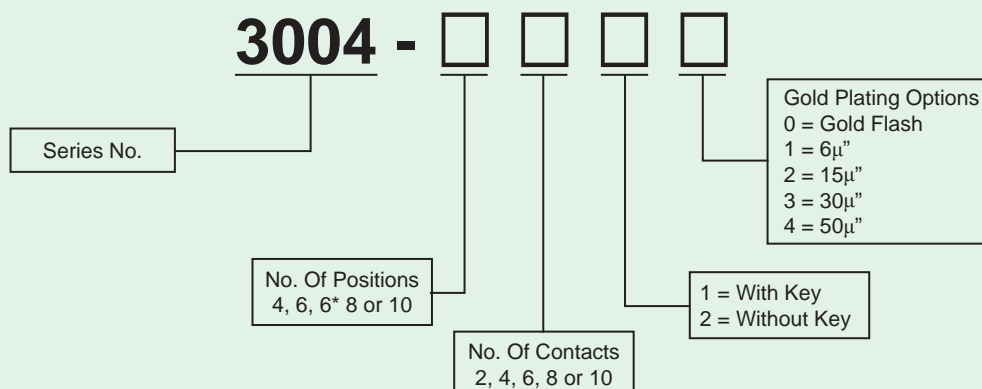
\*Outer dimension is 8P.  
Inner dimension is 6P.

PCB Layout / Top View

## Materials

- **Housing** : Engineering Thermoplastic.  
Flammability Rating UL 94V-0.
- **Contacts** : Phosphor Bronze.
- **Plating** : Gold Plating Over Nickel In Contact Area.  
Tin Plating Over Nickel In Solder Area.

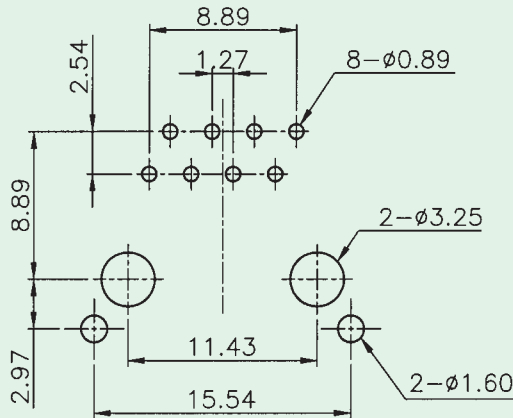
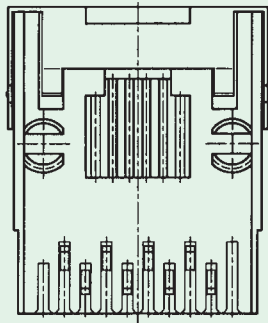
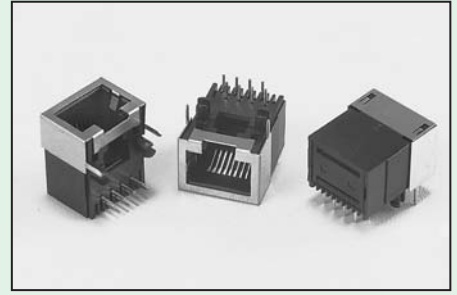
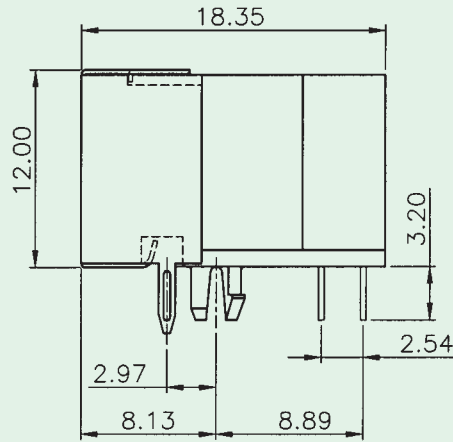
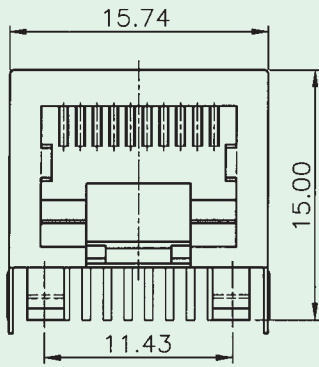
## Ordering Information





# Side Entry PCB Jack (Very Low Profile, Half Shielded)

**KINSUN**

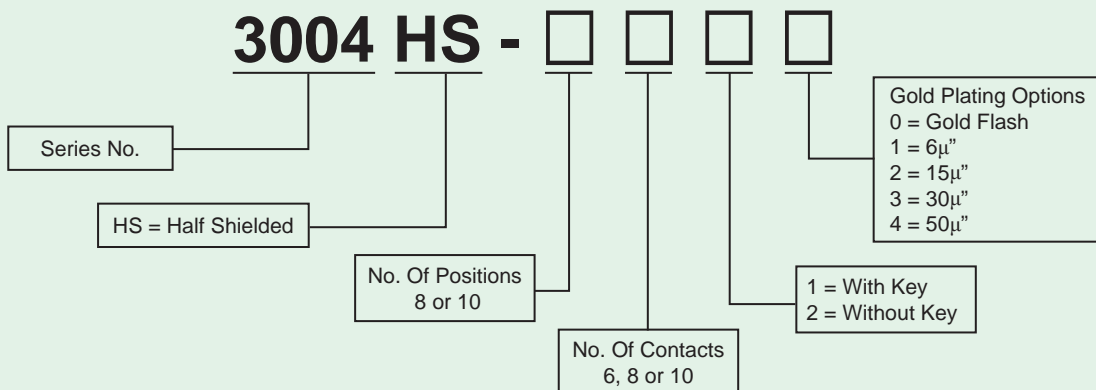


PCB Layout / Top View

## Materials

- **Shield** : Brass With Nickel Plated.
- **Housing** : Engineering Thermoplastic.  
Flammability Rating UL 94V-0.
- **Contacts** : Phosphor Bronze.
- **Plating** : Gold Plating Over Nickel In Contact Area.  
Tin Plating Over Nickel In Solder Area.

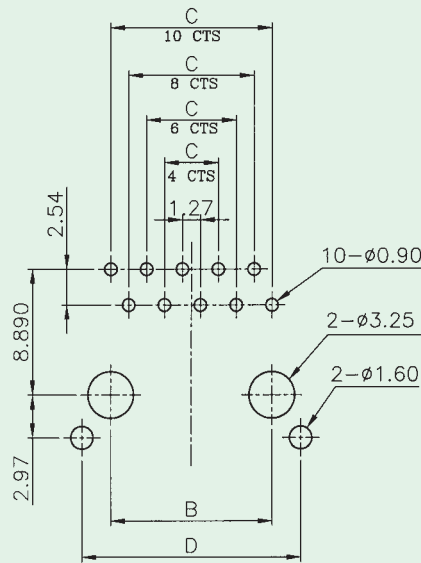
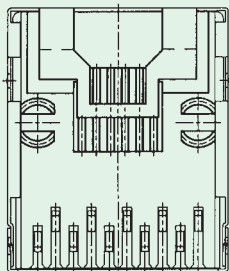
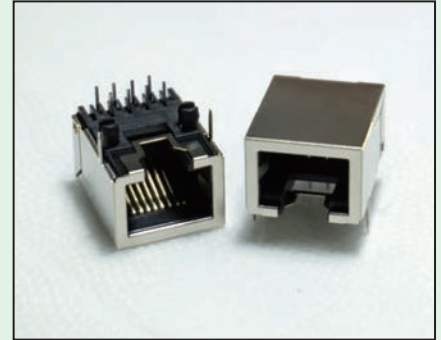
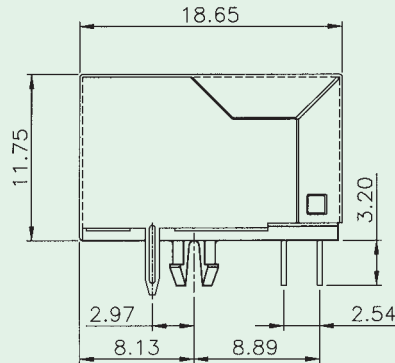
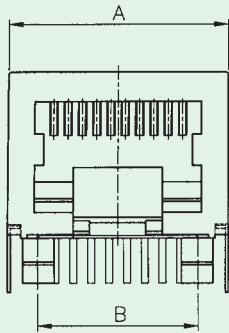
## Ordering Information





# Side Entry PCB Jack (Very Low Profile, Fully Shielded)

**KINSUN**



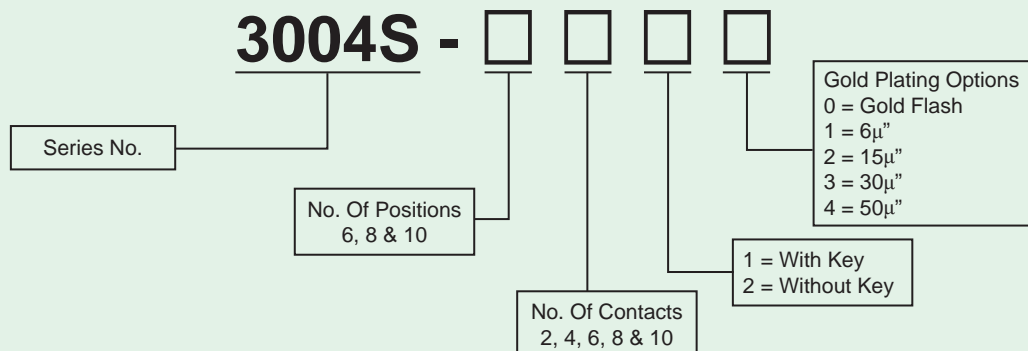
PCB Layout / Top View

No. of Positions	Dimensions			
	A	B	C	D
6	13.56	10.16	6.35	13.57
8	15.74	11.43	8.89	15.54
10	15.74	11.43	11.43	15.54

## Materials

- **Shield** : Brass With Nickel Plated.
- **Housing** : Engineering Thermoplastic.  
Flammability Rating UL 94V-0.
- **Contacts** : Phosphor Bronze.
- **Plating** : Gold Plating Over Nickel In Contact Area.  
Tin Plating Over Nickel In Solder Area.

## Ordering Information

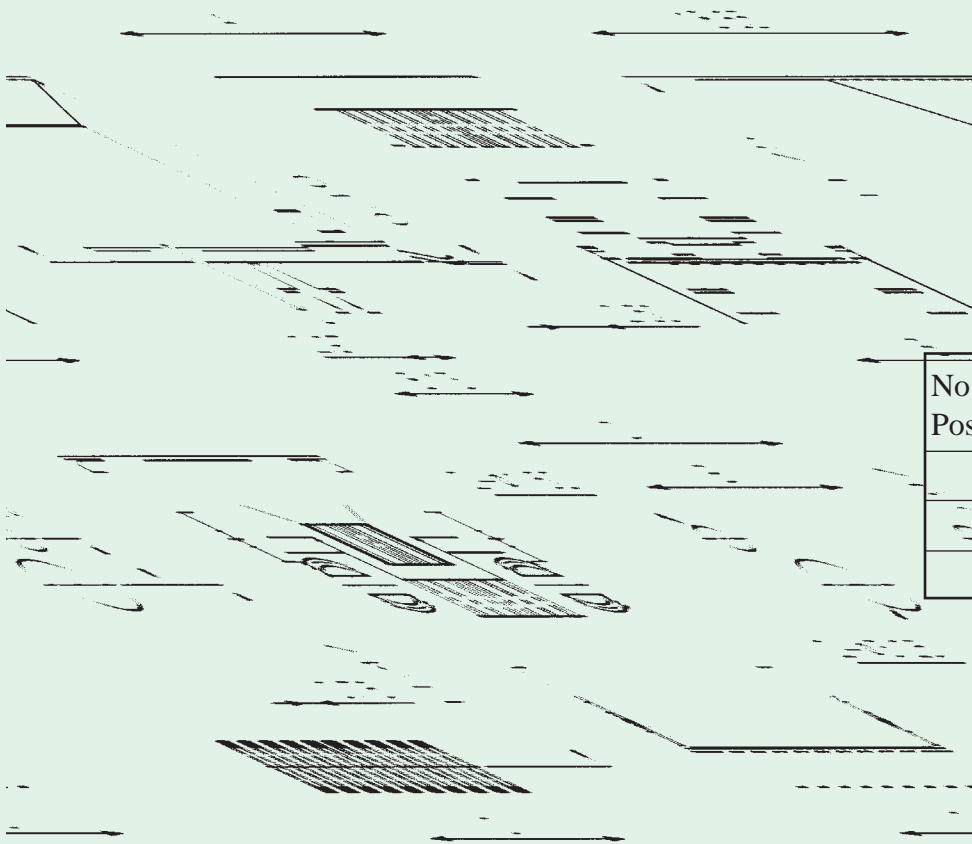
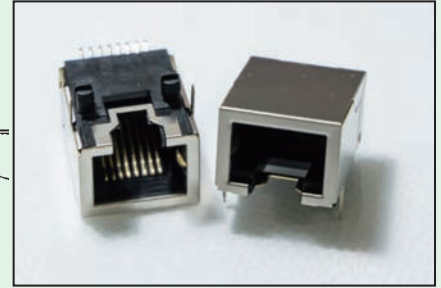


Options:(1)With or Without Different Grounding Tabs.  
(2)More Grounding Pin Spacings.



# Side Entry PCB Jack (Very Low Profile, SMT Type)

**KINSUN**



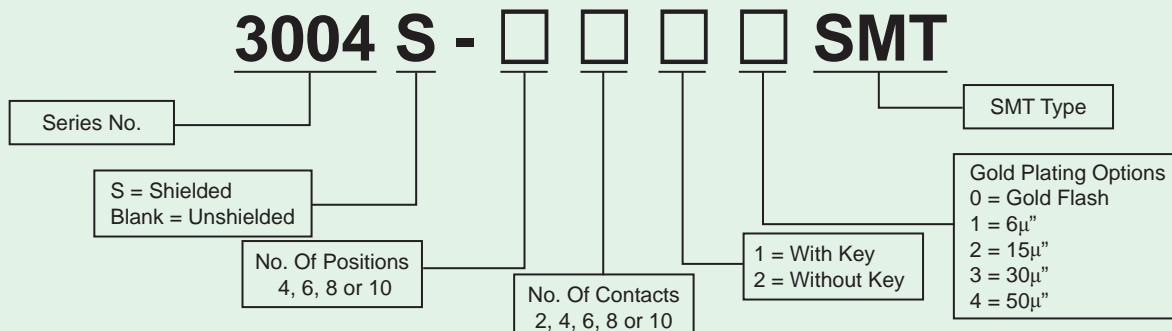
No. of Positions	Dimensions			
	A	B	C	D
6	13.56	10.16	6.35	13.57
8	15.74	11.43	8.89	15.54
10	15.74	11.43	11.43	15.54

PCB Layout / Top View

## Materials

- **Shield** : Brass With Nickel Plated.
- **Housing** : High Temp. Thermoplastic.  
Flammability Rating UL 94V-0.
- **Contacts** : Phosphor Bronze.
- **Plating** : Gold Plating Over Nickel In Contact Area.  
Tin Plating Over Nickel In Solder Area.

## Ordering Information

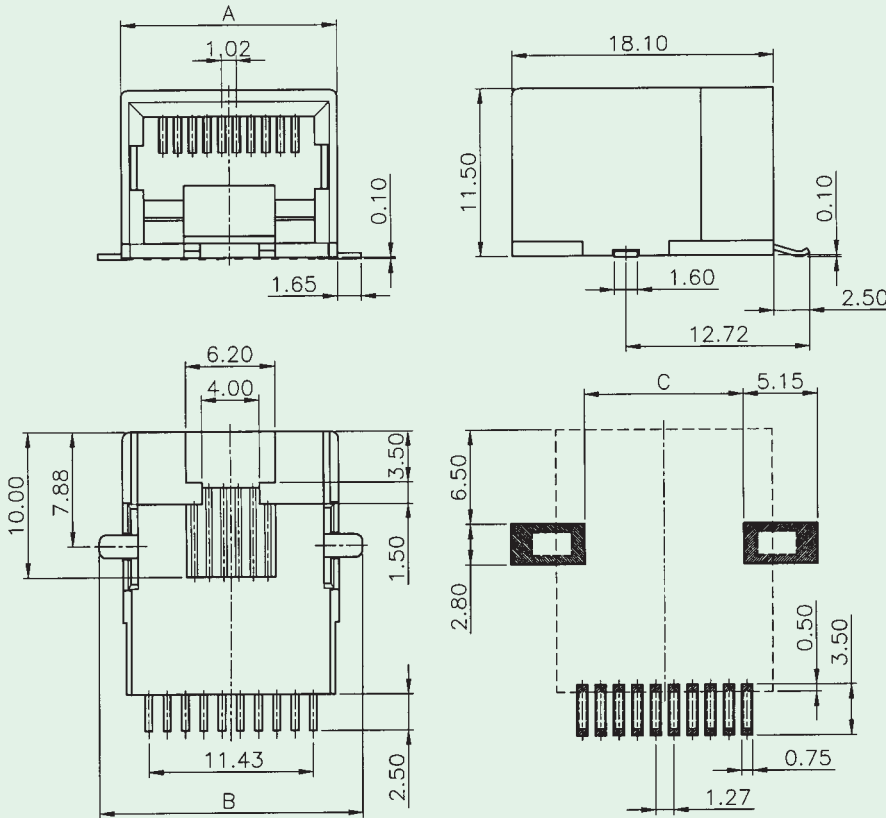
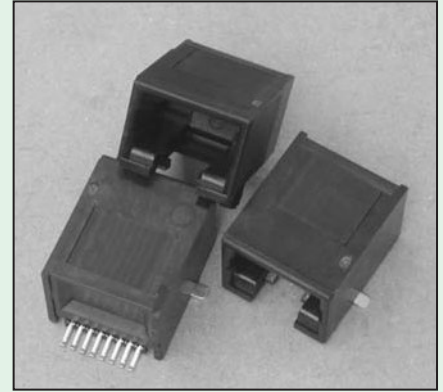


- Options: (1) With or Without Different Grounding Tabs.  
(2) More Grounding Pin Spacings.  
(3) 4P4C Is Available But Without Shield.



# Side Entry PCB Jack ( Very Low Profile, With Solder Pad )

**KINSUN**

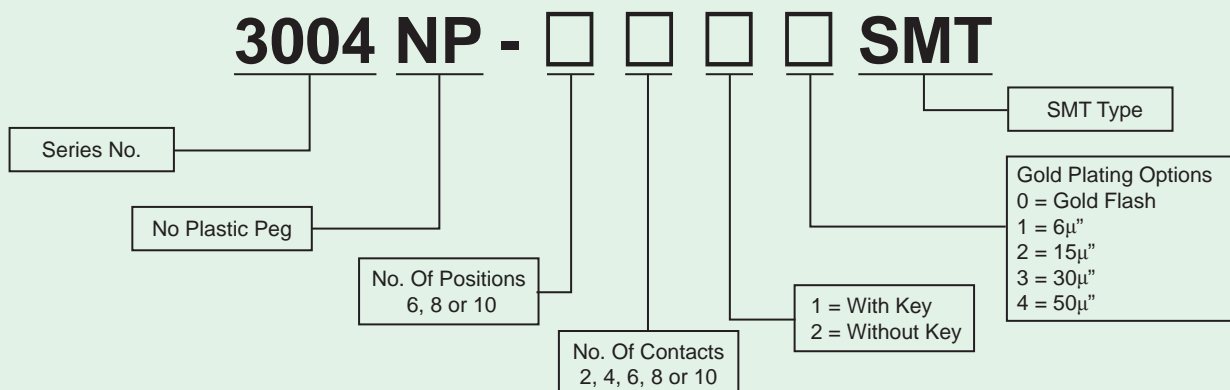


No. of Positions	Dimensions		
	A	B	C
6	13.00	16.30	9.00
8	15.00	18.30	11.00
10	15.00	18.30	11.00

## Materials

- **Housing** : High Temp. Thermoplastic.  
Flammability Rating UL 94V-0.
- **Contacts** : Phosphor Bronze.
- **Plating** : Gold Plating Over Nickel In Contact Area.  
Tin Plating Over Nickel In Solder Area.

## Ordering Information

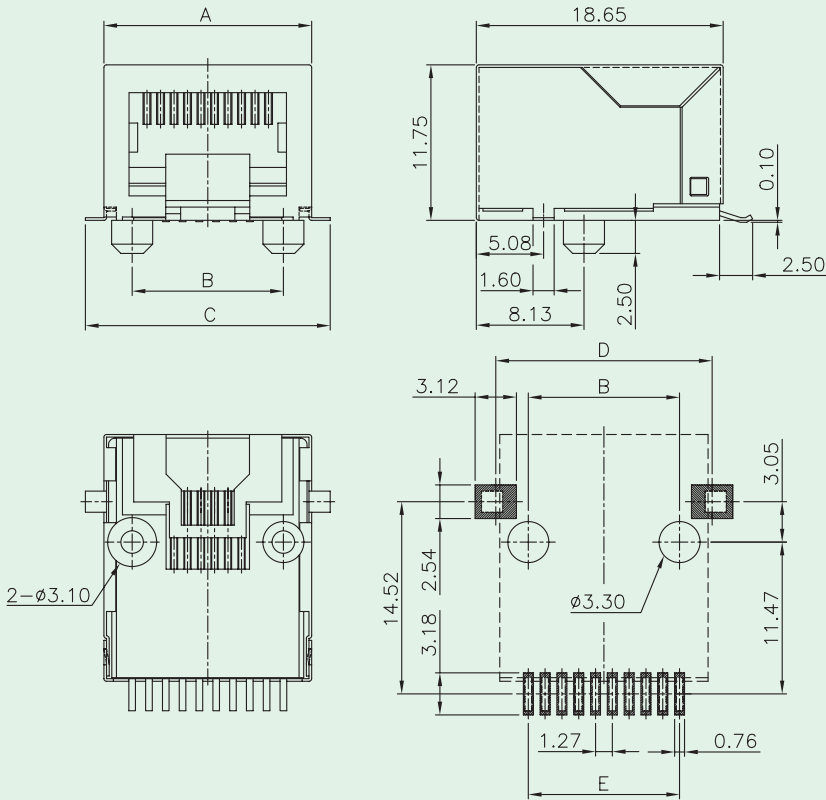
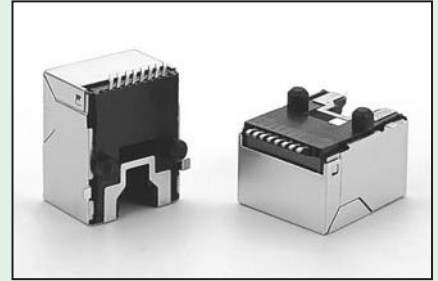






# Side Entry PCB Jack ( Round Peg , STP With Solder Pad )

**KINSUN**

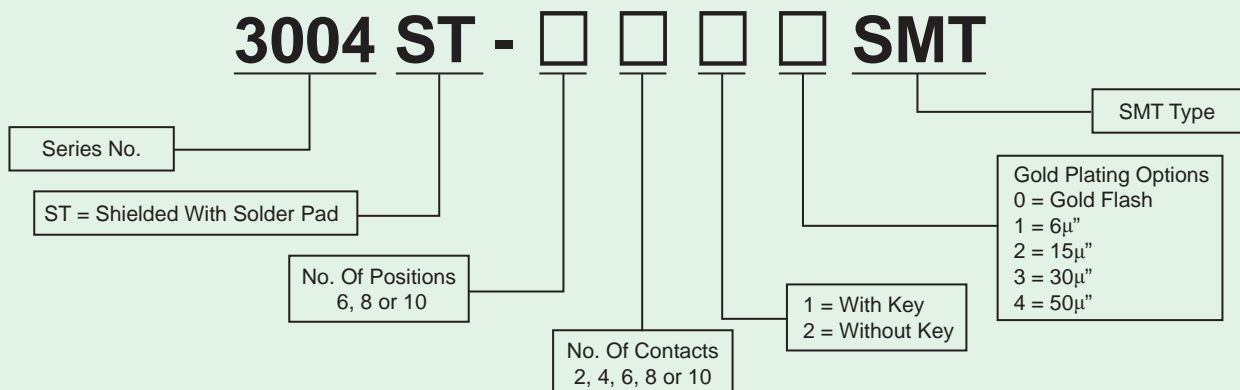


No. of Positions	Dimensions				
	A	B	C	D	E
6	13.56	10.16	16.36	13.81	6.35
8	15.74	11.43	18.20	16.35	8.89
10	15.74	11.43	18.20	16.35	11.43

## Materials

- **Shield** : Brass With Nickel Plated.
- **Housing** : High Temp. Thermoplastic.  
Flammability Rating UL 94V-0.
- **Contacts** : Phosphor Bronze.
- **Plating** : Gold Plating Over Nickel In Contact Area.  
Tin Plating Over Nickel In Solder Area.

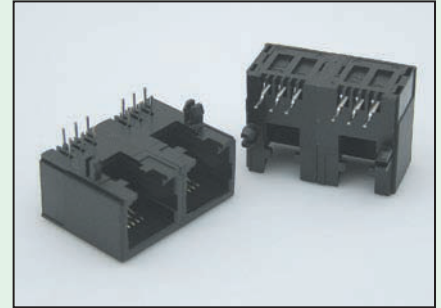
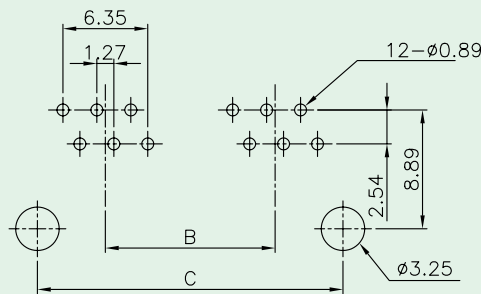
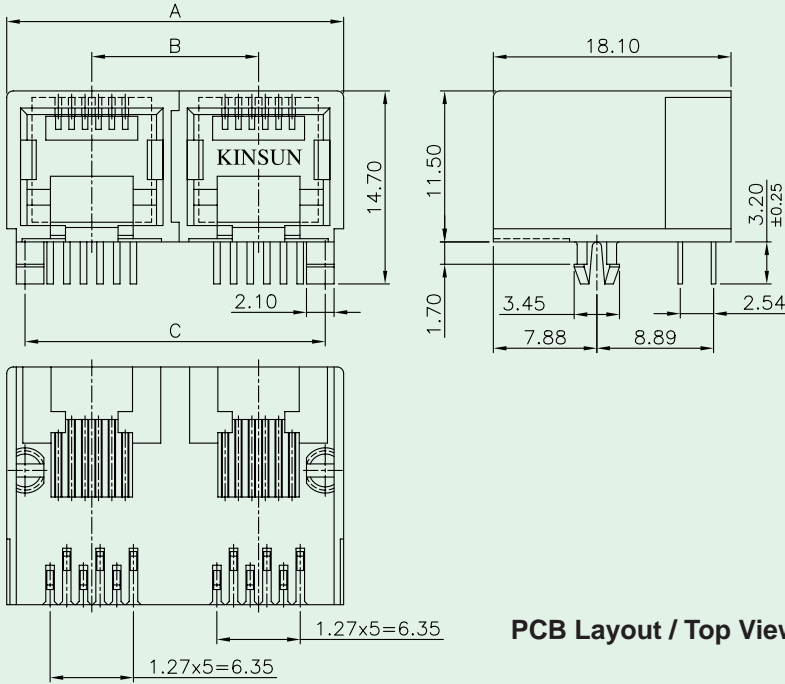
## Ordering Information





# Side Entry PCB Jack (Multi-Port, RJ11, Unshielded)

**KINSUN**

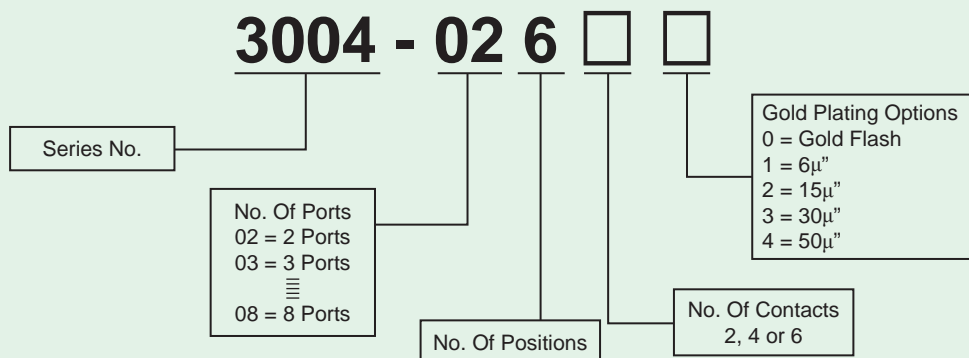


No. of Ports	Dimensions		
	A	B	C
2	25.66	12.70	22.86
3	38.36	25.40	35.56
4	51.06	38.10	48.26
5	63.76	50.80	60.96
6	76.46	63.50	73.66
7	89.16	76.20	86.36
8	101.86	88.90	99.06

## Materials

- **Housing** : Engineering Thermoplastic.  
Flammability Rating UL 94V-0.
- **Contacts** : Phosphor Bronze.
- **Plating** : Gold Plating Over Nickel In Contact Area.  
Tin Plating Over Nickel In Solder Area.

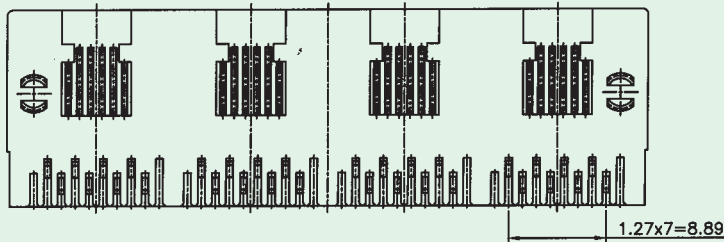
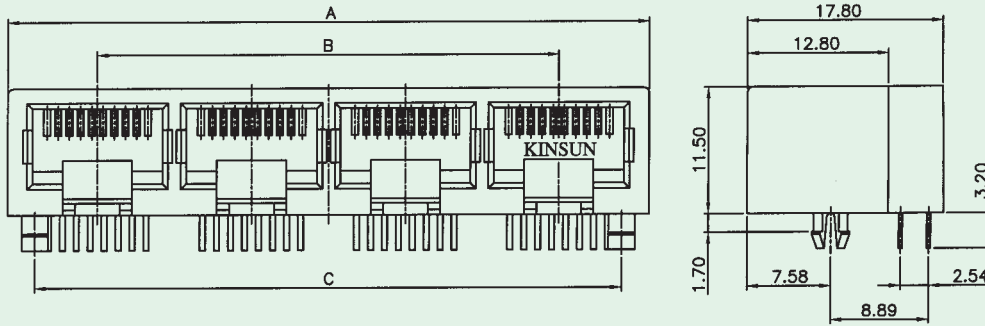
## Ordering Information



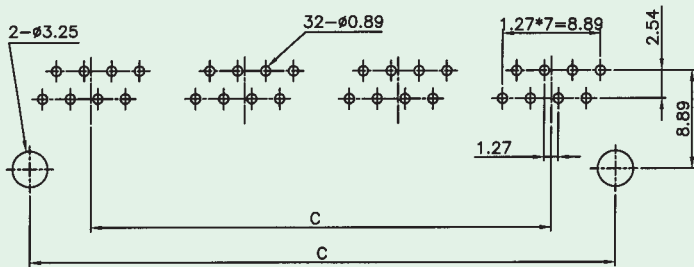


# Side Entry PCB Jack ( Multi-Port, RJ45, Unshielded )

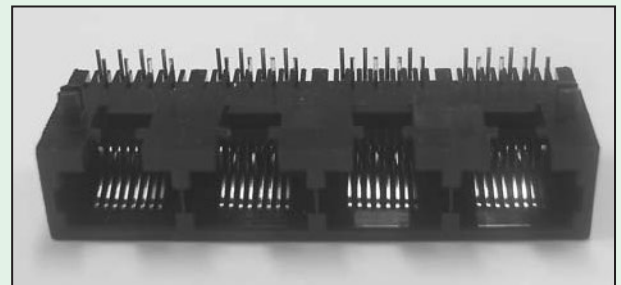
**KINSUN**



No. of Ports	Dimensions		
	A	B	C
2	30.38	13.97	25.40
4	58.32	41.91	53.34



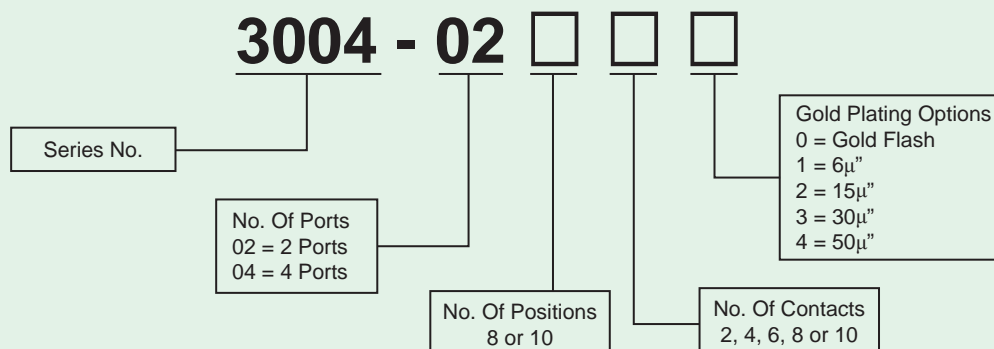
PCB Layout / Top View



## Materials

- **Housing** : Engineering Thermoplastic.  
Flammability Rating UL 94V-0.
- **Contacts** : Phosphor Bronze.
- **Plating** : Gold Plating Over Nickel In Contact Area.  
Tin Plating Over Nickel In Solder Area.

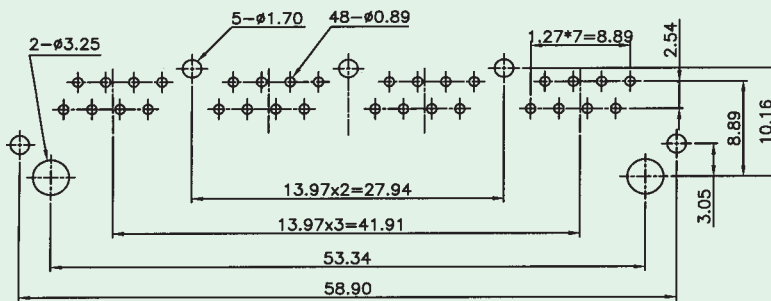
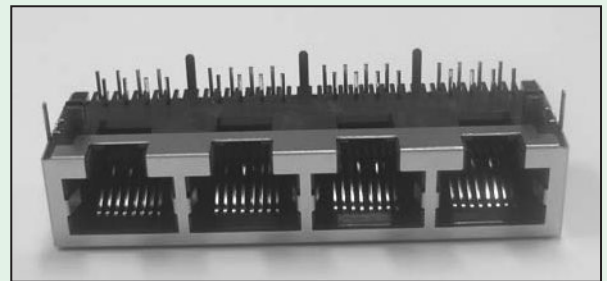
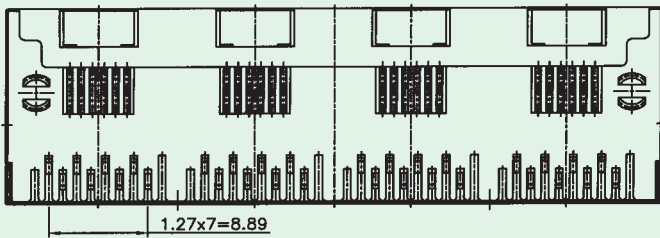
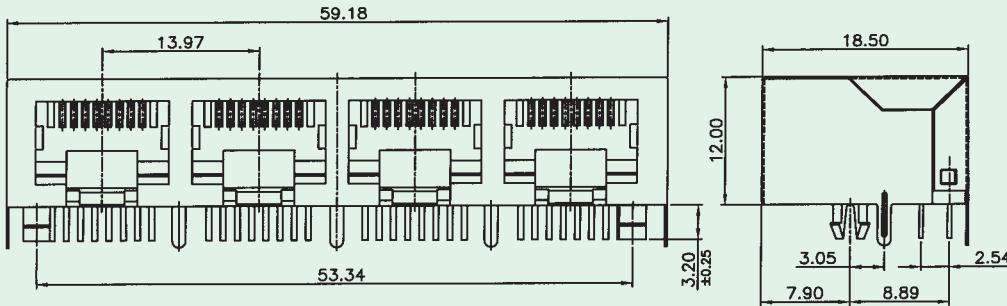
## Ordering Information





# Side Entry PCB Jack (Multi-Port, RJ45, Shielded)

**KINSUN**

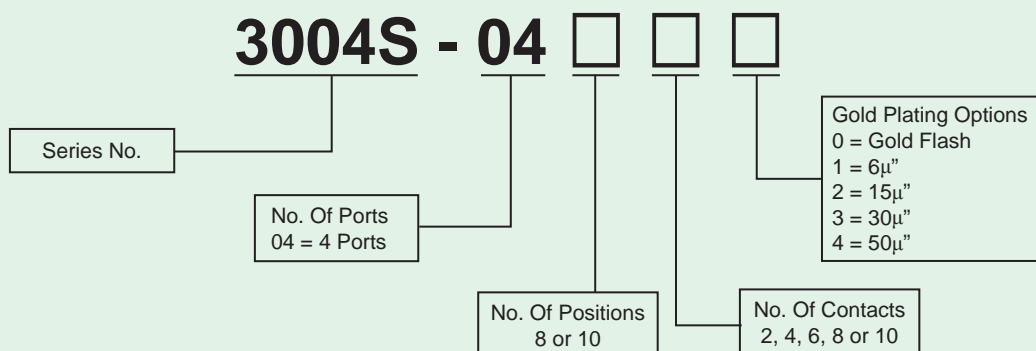


PCB Layout / Top View

## Materials

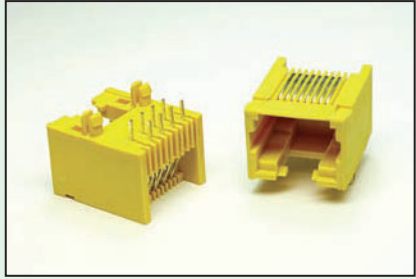
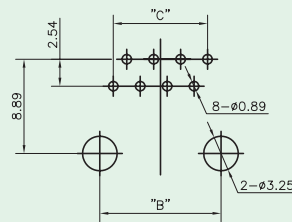
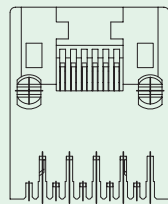
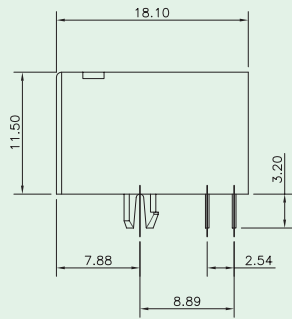
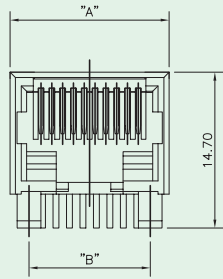
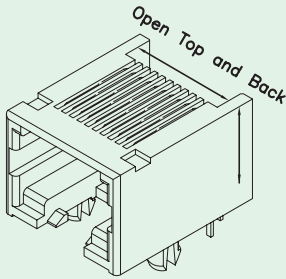
- **Shield** : Brass With Nickel Plated.
- **Housing** : Engineering Thermoplastic.  
Flammability Rating UL 94V-0.
- **Contacts** : Phosphor Bronze.
- **Plating** : Gold Plating Over Nickel In Contact Area.  
Tin Plating Over Nickel In Solder Area.

## Ordering Information





# Side Entry PCB Jack ( Very Low Profile, Unshielded )



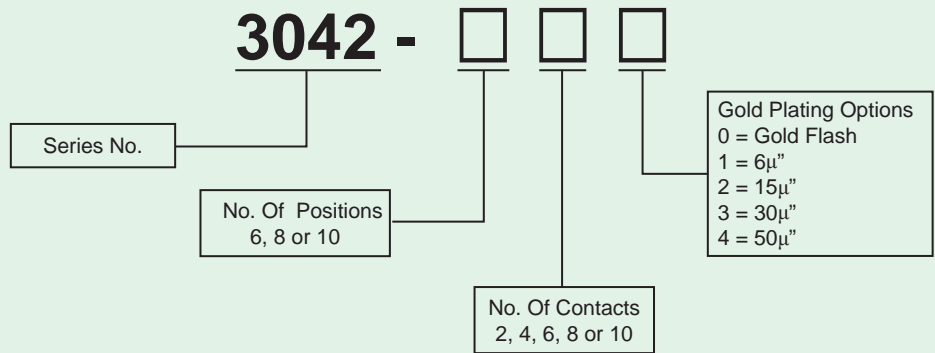
RECOMMEND P.C.B. LAYOUT

No. Of Positions	No. Of Contacts	Dimensions		
		A	B	C
6	6/4/2	12.96	10.16	6.35
8	8/10	15.00	11.43	8.89

## Materials

- **Plastic Housing** : Engineering Thermoplastic.  
Flammability Rating UL 94V-0.
- **Contacts** : Phosphor Bronze.
- **Plating** : Gold Plating Over Nickel In Contact Area.  
Tin Plating Over Nickel In Solder Area.

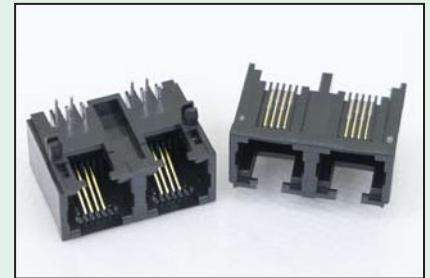
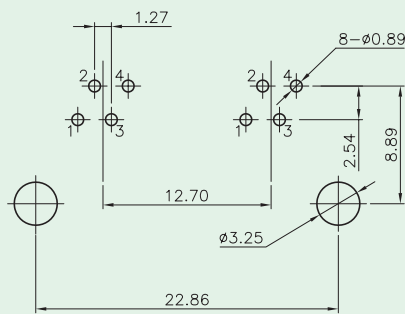
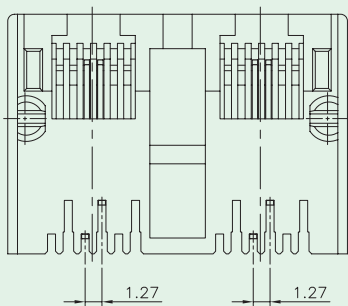
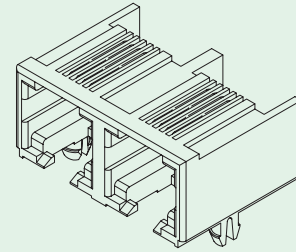
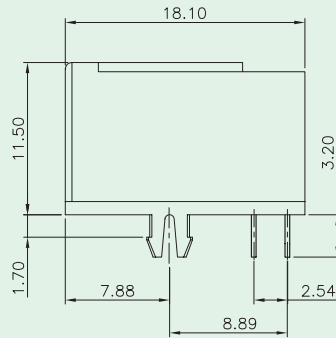
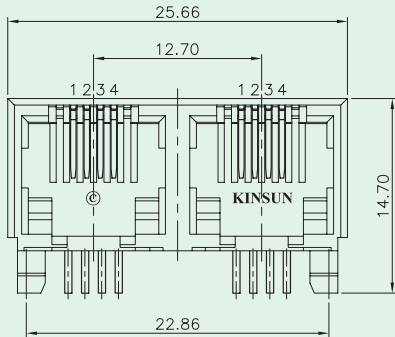
## Ordering Information





# Side Entry PCB Jack ( Very Low Profile, Unshielded )

**KINSUN**

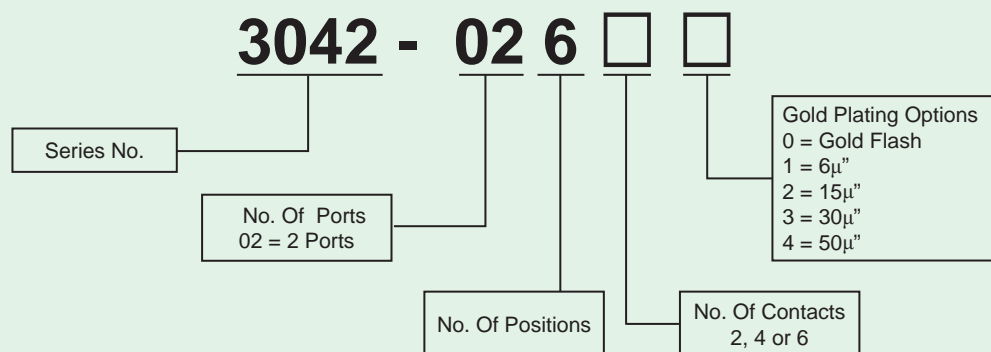


RECOMMEND P.C.B. LAYOUT

## Materials

- **Plastic Housing** : Engineering Thermoplastic.  
Flammability Rating UL 94V-0.
- **Contacts** : Phosphor Bronze.
- **Plating** : Gold Plating Over Nickel In Contact.  
Tin Plating Over Nickel In Solder Area.

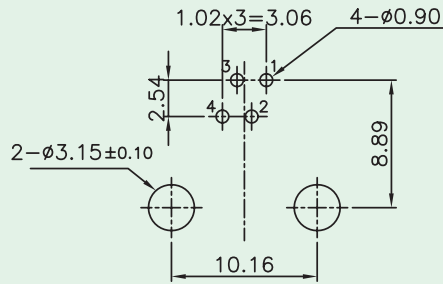
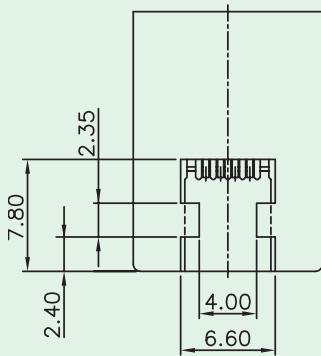
## Ordering Information



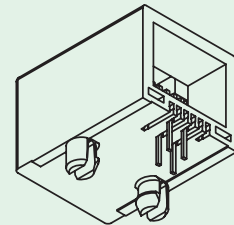
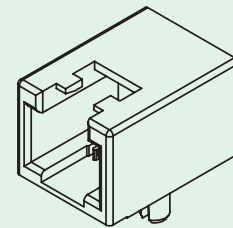
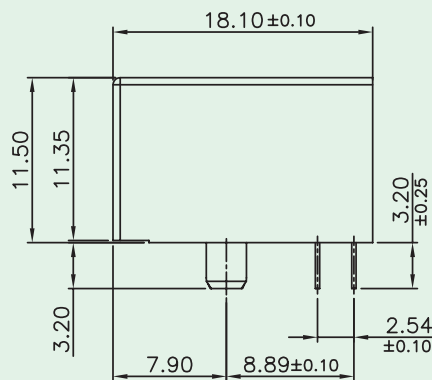
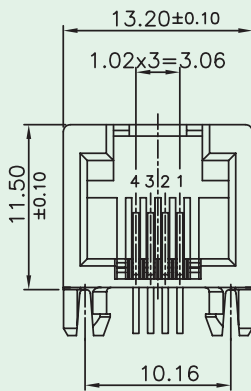
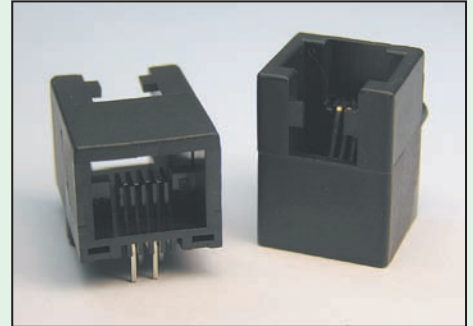


# 3005 Side Entry PCB Jack (RJ11, Unshielded)

**KINSUN**



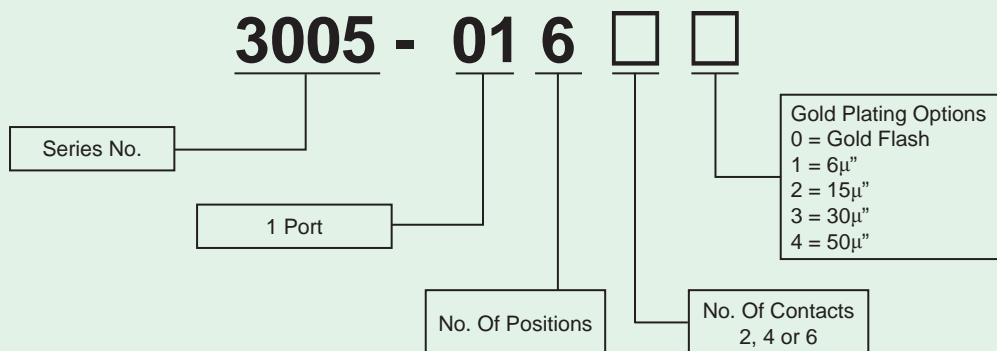
PCB LAYOUT/TOP VIEW



## Materials

- **Plastic Housing** : Engineering Thermoplastic.  
Flammability Rating UL 94V-0.
- **Contacts** : Phosphor Bronze.
- **Plating** : Gold Plating Over Nickel In Contact.  
Tin Plating Over Nickel In Solder Area.

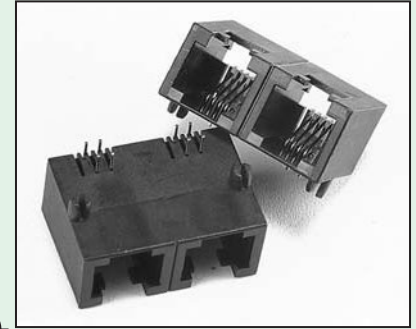
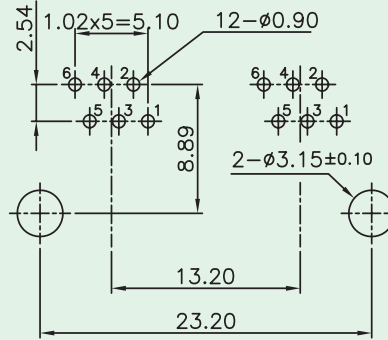
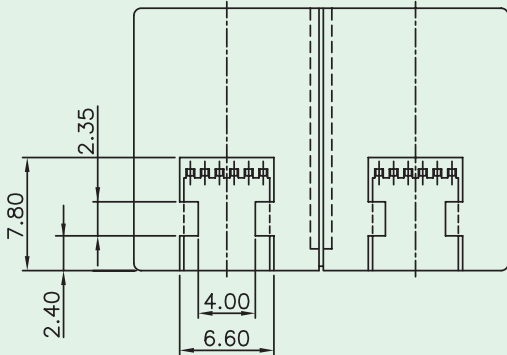
## Ordering Information



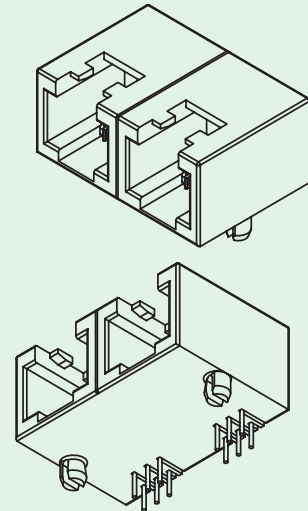
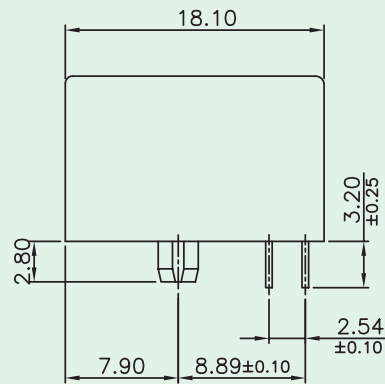
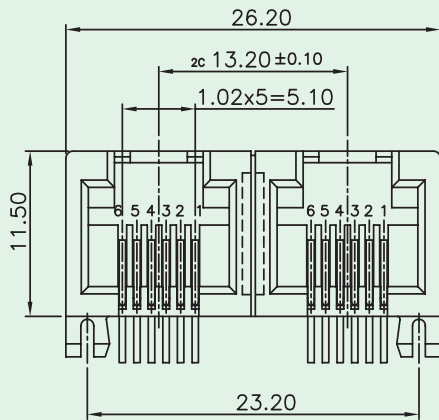


# 3005 Side Entry PCB Jack (Dual-Prot, RJ11, Unshielded)

**KINSUN**



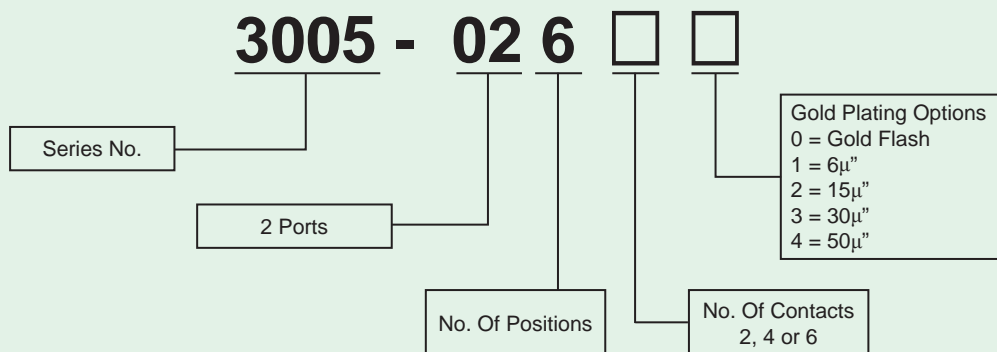
PCB LAYOUT/TOP VIEW



## Materials

- **Plastic Housing** : Engineering Thermoplastic.  
Flammability Rating UL 94V-0.
- **Contacts** : 0.46mm Diameter Phosphor Bronze.
- **Plating** : Gold Plating Over Nickel.

## Ordering Information

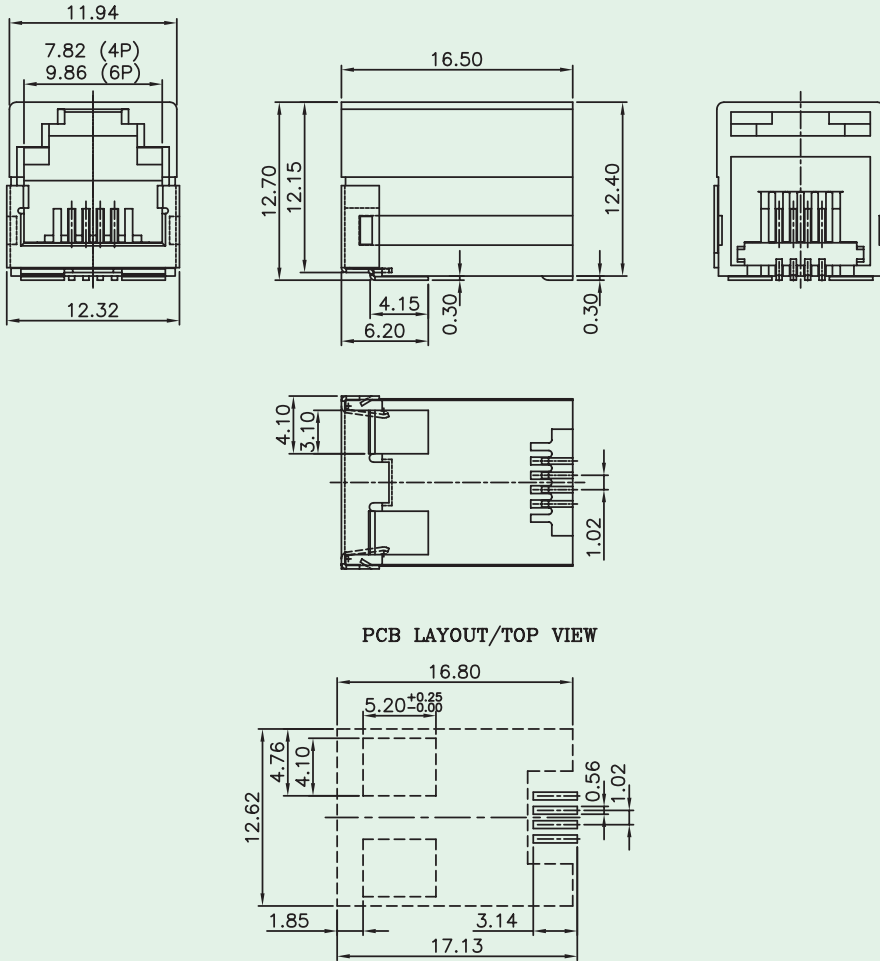






# Side Entry PCB Jack (SMT Type, With Solder Pad)

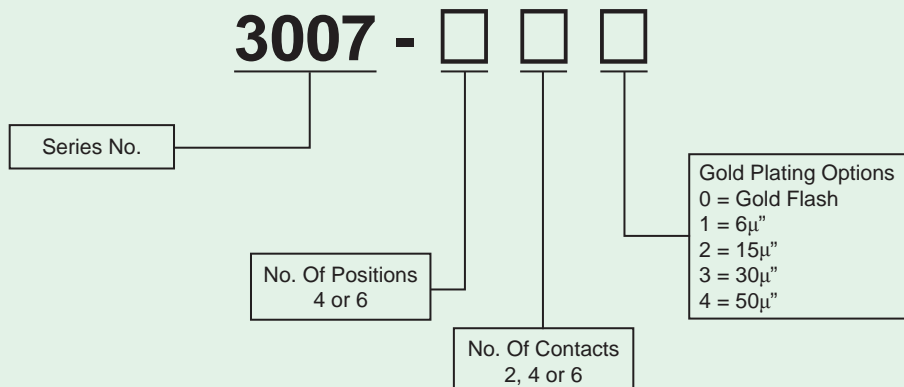
**KINSUN**



## Materials

- **Housing** : High Temp. Thermoplastic.  
Flammability Rating UL 94V-0.
- **Contacts** : Phosphor Bronze.
- **Plating** : Gold Plating Over Nickel In Contact.  
Tin Plating Over Nickel In Solder Area.
- **Solder Pad** : Brass With Tin Plated.

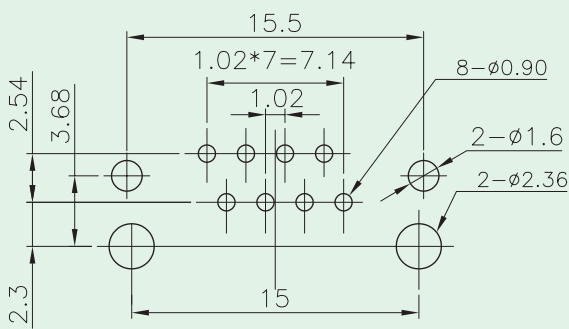
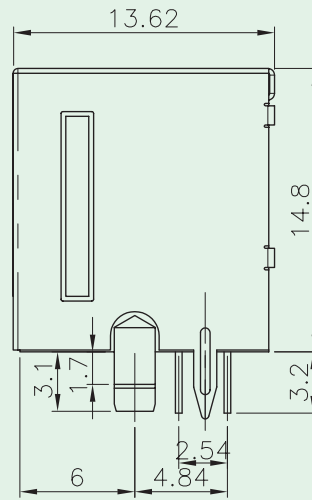
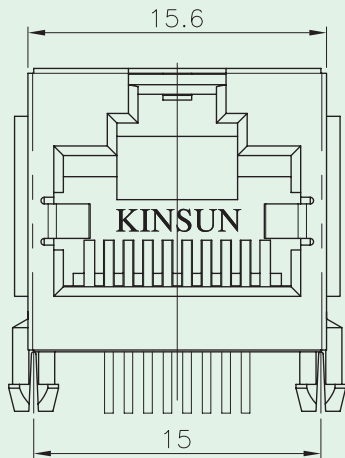
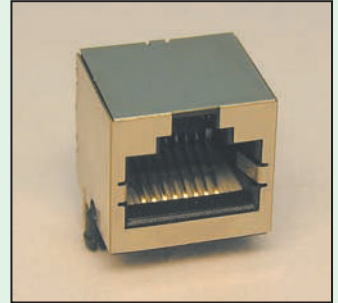
## Ordering Information



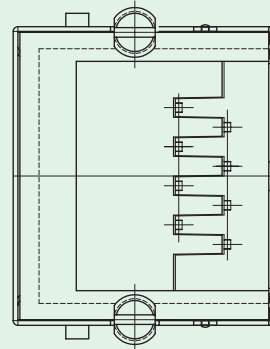


# Side Entry PCB Jack (Shielded Type, Up Latch)

**KINSUN**



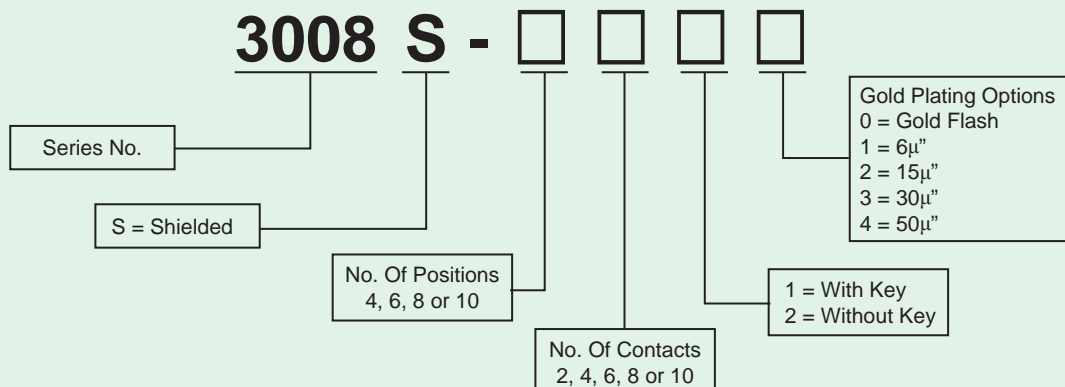
PCB LAYOUT/TOP VIEW



## Materials

- **Housing** : Engineering Thermoplastic.  
Flammability Rating UL 94V-0.
- **Contacts** : Phosphor Bronze.
- **Plating** : Gold Plating Over Nickel In Contact.  
Tin Plating Over Nickel In Solder Area.

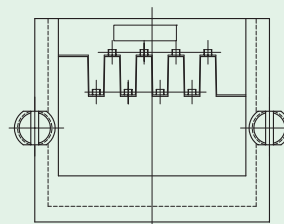
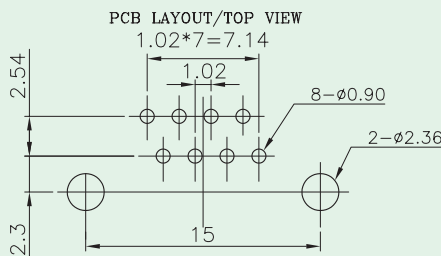
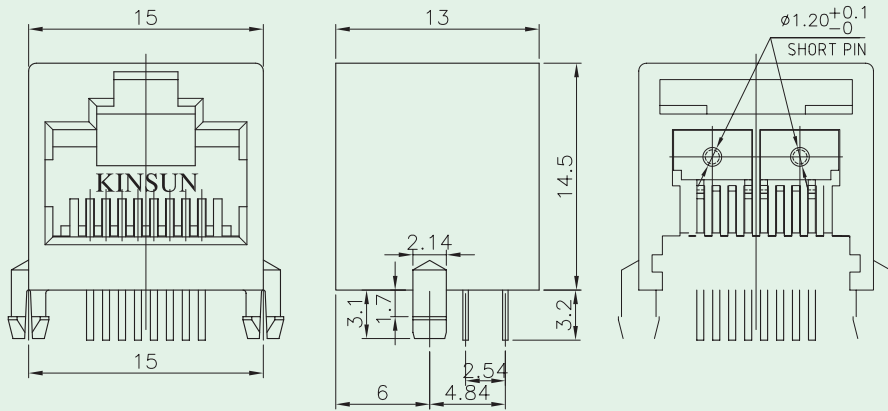
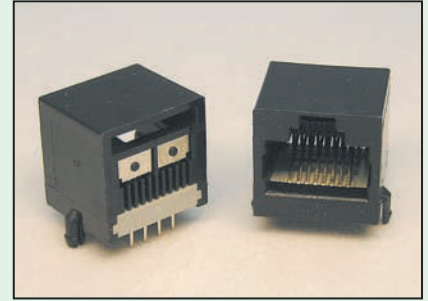
## Ordering Information





# Side Entry PCB Jack ( Short 1,4 & 5,8 Pin Type )

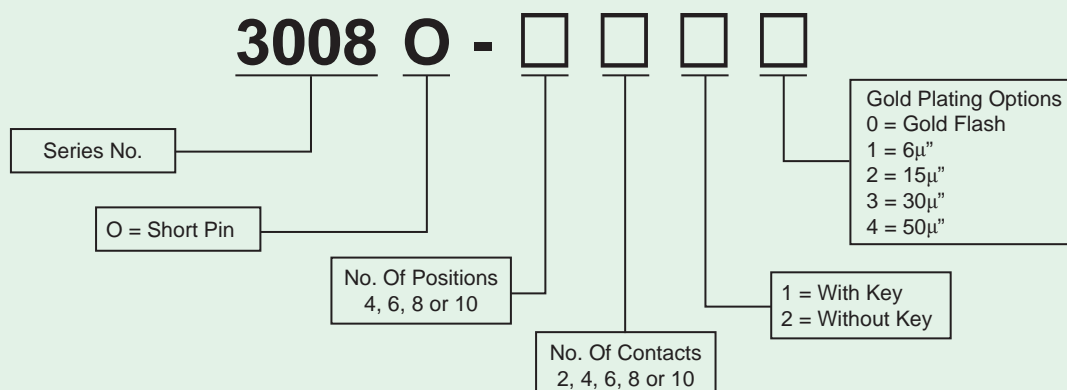
**KINSUN**



## Materials

- **Housing** : Engineering Thermoplastic.  
Flammability Rating UL 94V-0.
- **Contacts** : Phosphor Bronze.
- **Plating** : Gold Plating Over Nickel In Contact.  
Tin Plating Over Nickel In Solder Area.

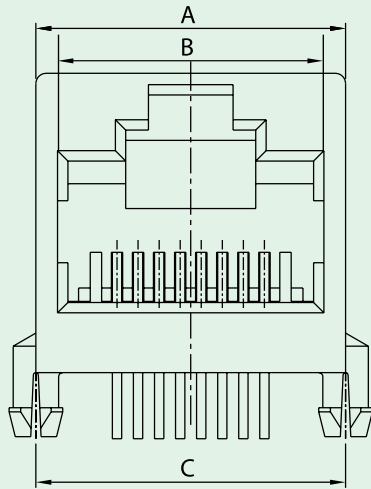
## Ordering Information



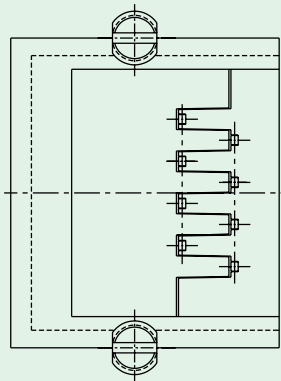
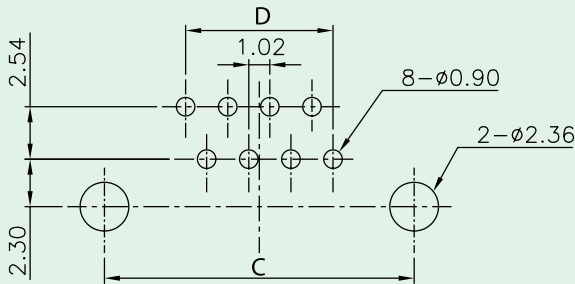
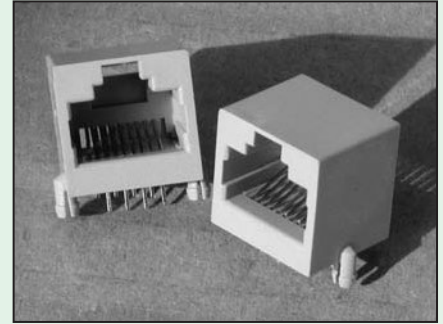
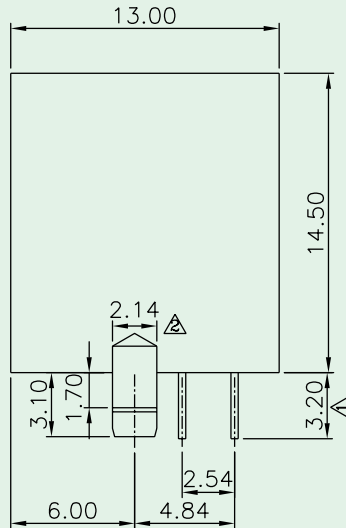


# Side Entry PCB Jack ( Up Latch )

**KINSUN**



PCB LAYOUT/TOP VIEW

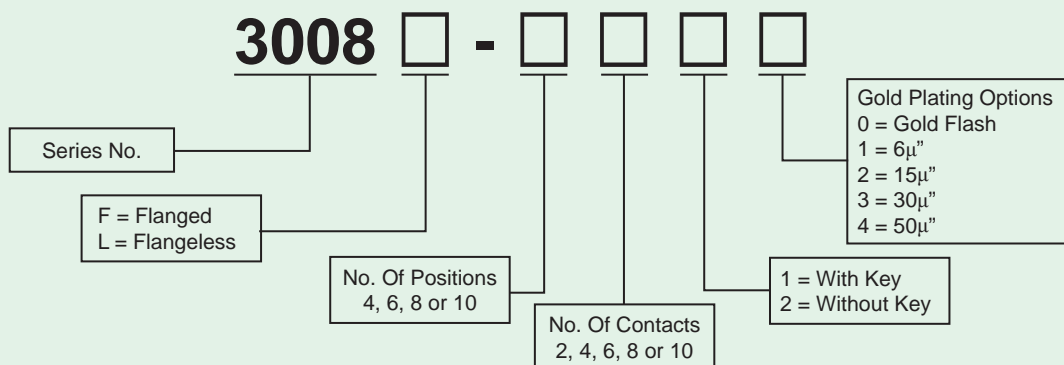


No. of Positions	Dimensions			
	A	B	C	D
4	12.20	7.82	12.00	3.06
6	12.20	9.90	12.00	5.10
8	15.00	11.90	15.00	7.14
10	15.00	11.90	15.00	9.18

## Materials

- **Housing** : Engineering Thermoplastic.  
Flammability Rating UL 94V-0.  
Standard Color : Black or Gray.
- **Contacts** : Phosphor Bronze.
- **Plating** : Gold Plating Over Nickel In Contact Area.  
Tin Plating Over Nickel In Solder Area.

## Ordering Information

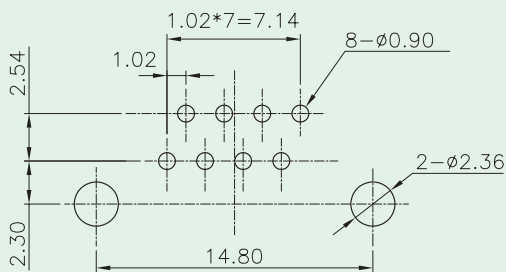
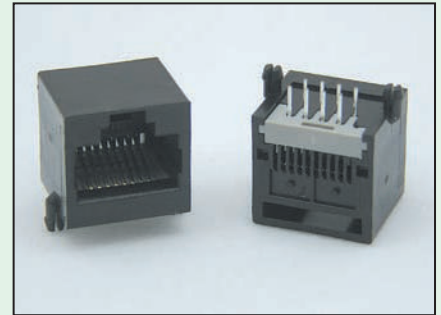
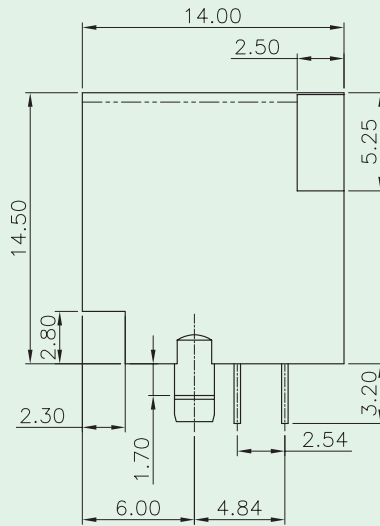
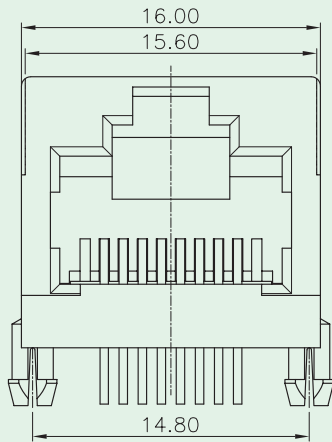


Options: With Short-Circuit Contact Available

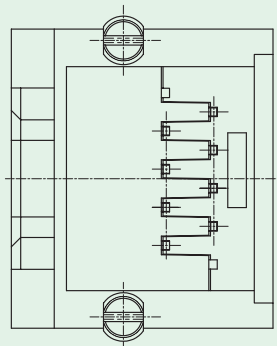


# Side Entry PCB Jack ( Pin Reversed Unshielded Type )

**KINSUN**



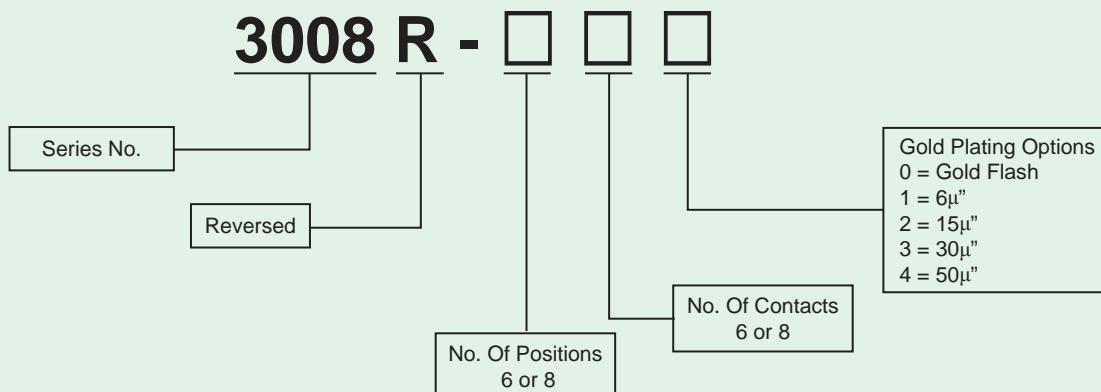
PCB LAYOUT/TOP VIEW



## Materials

- **Housing** : Engineering Thermoplastic.  
Flammability Rating UL 94V-0.
- **Contacts** : Phosphor Bronze.
- **Plating** : Gold Plating Over Nickel In Contact Area.  
Tin Plating Over Nickel In Solder Area.

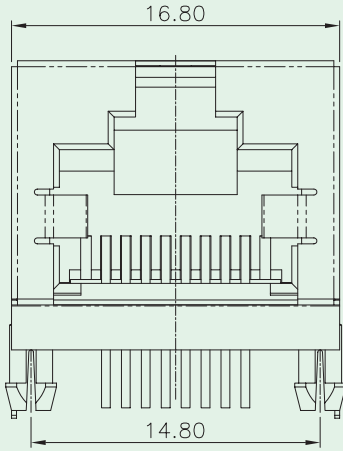
## Ordering Information



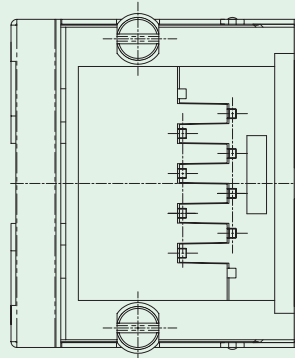
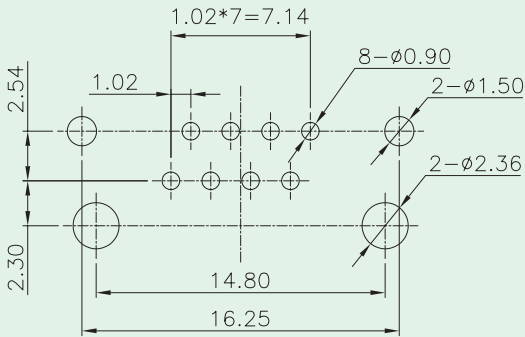
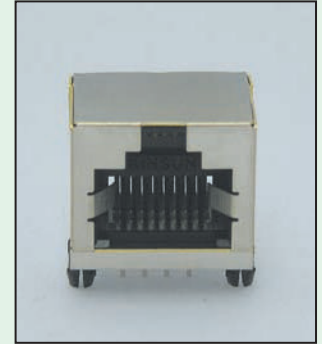
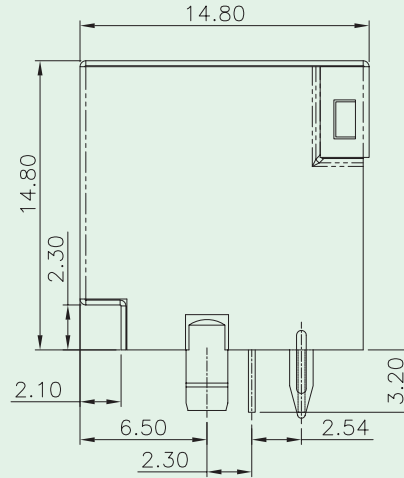


# Side Entry PCB Jack (Pin Reversed Shielded Type)

**KINSUN**



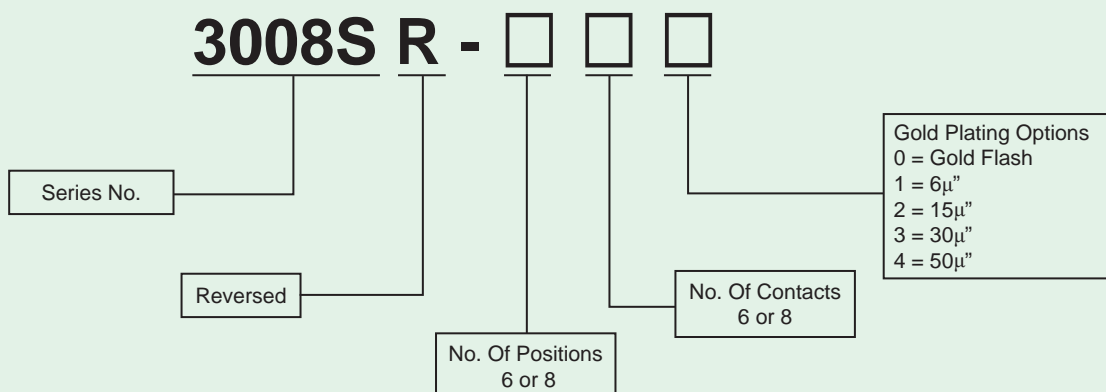
PCB LAYOUT/TOP VIEW



## Materials

- **Shield** : Brass With Nickel Plated.
- **Housing** : Engineering Thermoplastic.  
Flammability Rating UL 94V-0.
- **Contacts** : Phosphor Bronze.
- **Plating** : Gold Plating Over Nickel In Contact Area.  
Tin Plating Over Nickel In Solder Area.

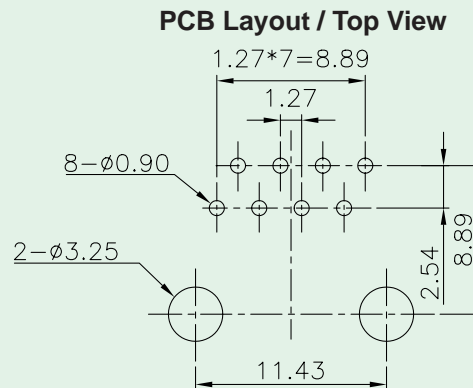
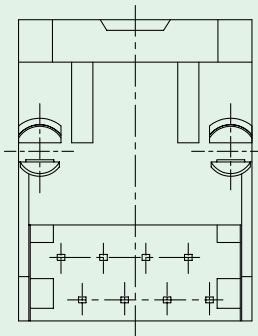
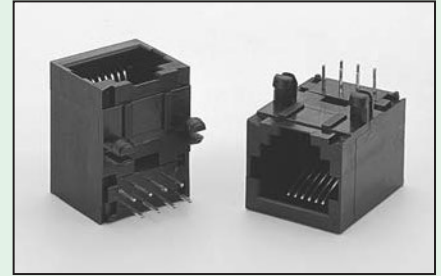
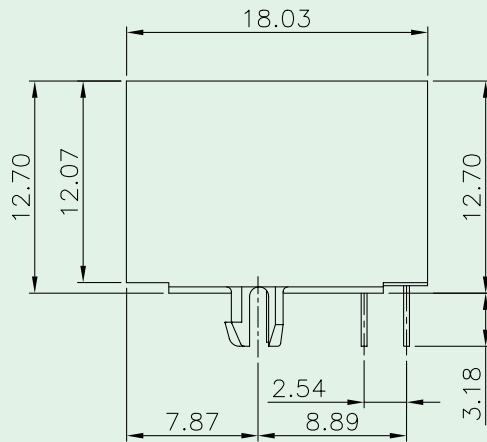
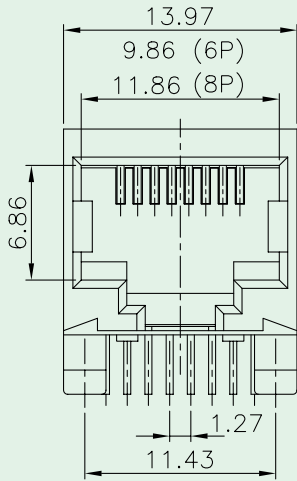
## Ordering Information





# Side Entry PCB Jack (RJ45, Unshielded Type)

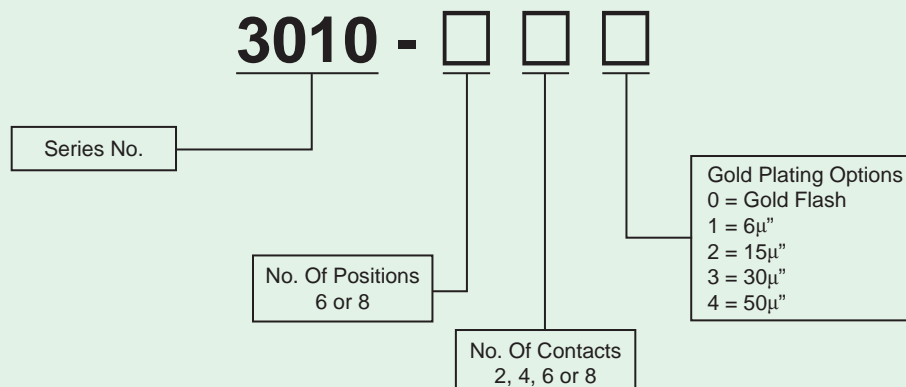
**KINSUN**



## Materials

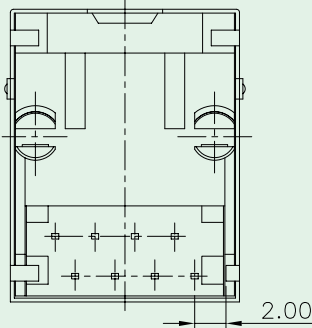
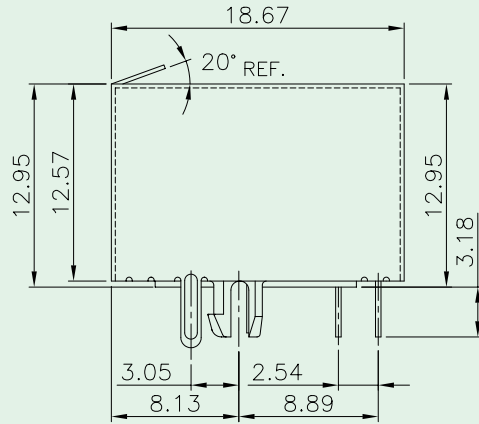
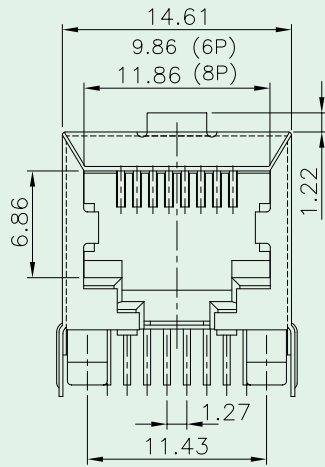
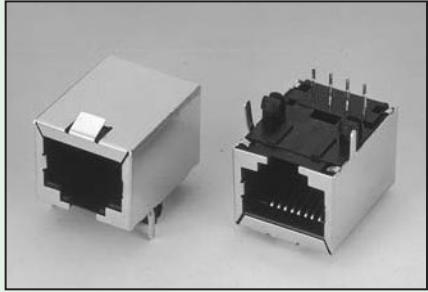
- **Housing** : Engineering Thermoplastic.  
Flammability Rating UL 94V-0.
- **Contacts** : Phosphor Bronze.
- **Plating** : Gold Plating Over Nickel In Contact Area.  
Tin Plating Over Nickel In Solder Area.

## Ordering Information

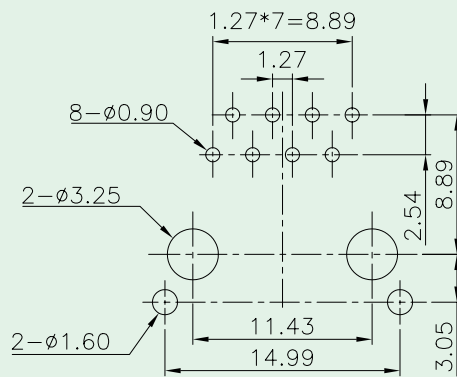




# Side Entry PCB Jack (RJ45, Shielded Type)



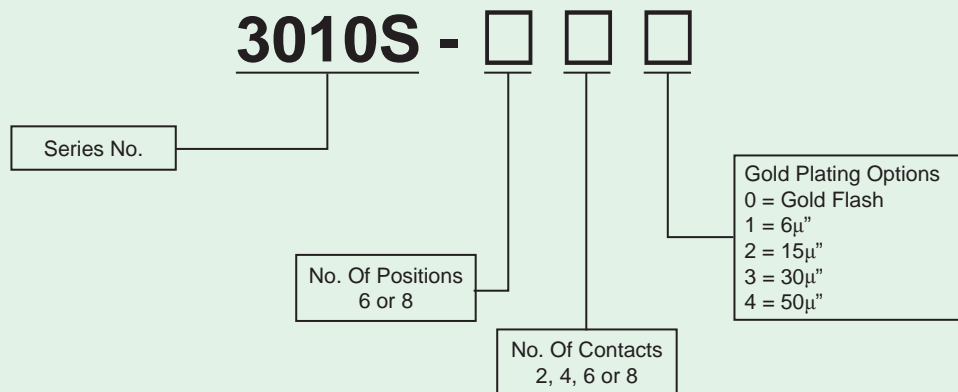
PCB Layout / Top View



## Materials

- **Shield** : Brass With Nickel Plated.
- **Housing** : Engineering Thermoplastic.  
Flammability Rating UL 94V-0.
- **Contacts** : Phosphor Bronze.
- **Plating** : Gold Plating Over Nickel In Contact Area.  
Tin Plating Over Nickel In Solder Area.

## Ordering Information



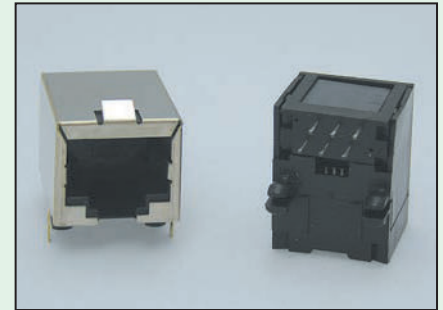
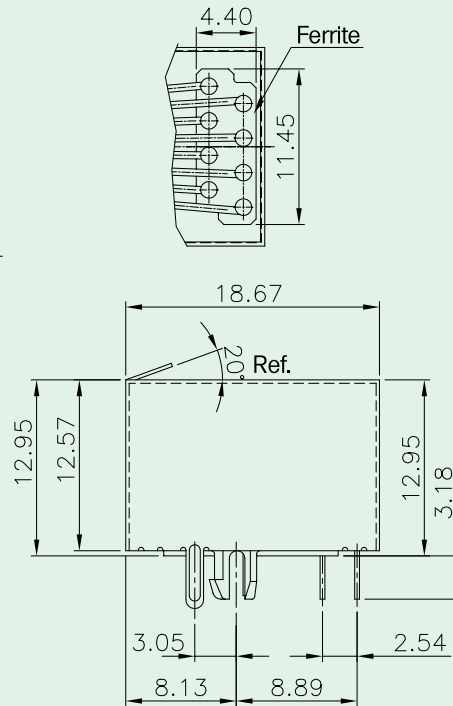
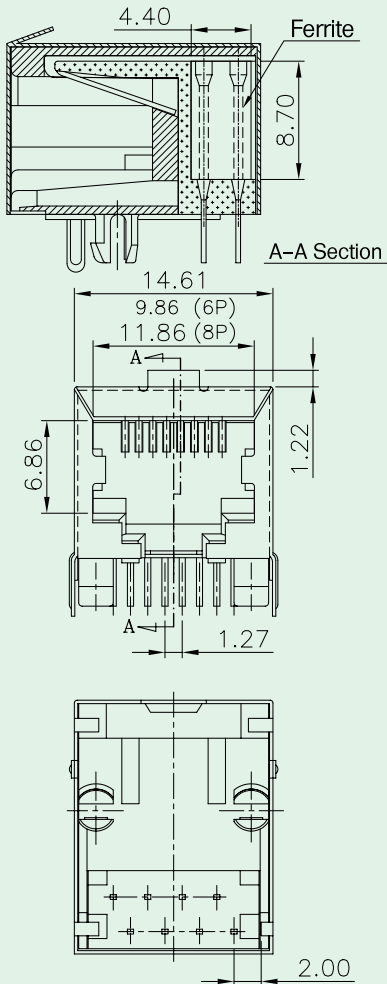
Option : With or Without Grounding Tabs.



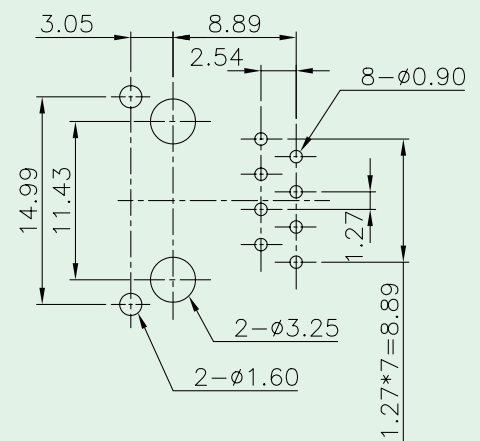


# Side Entry PCB Jack (RJ45, With Ferrite)

**KINSUN**



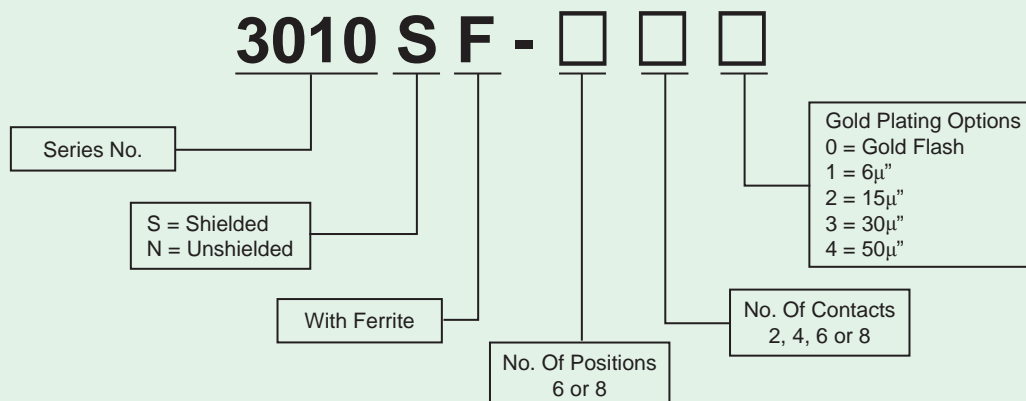
**PCB Layout / Top View**



## Materials

- **Shield** : Brass With Nickel Plated.
- **Housing** : Engineering Thermoplastic.  
Flammability Rating UL 94V-0.
- **Contacts** : Phosphor Bronze.
- **Plating** : Gold Plating Over Nickel In Contact Area.  
Tin Plating Over Nickel In Solder Area.

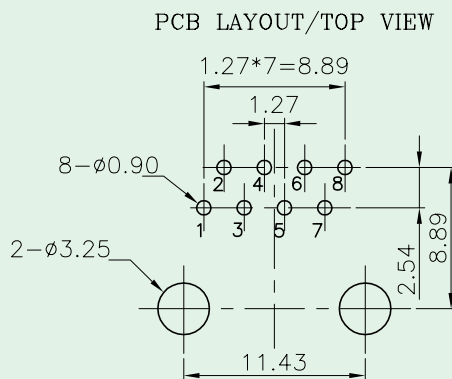
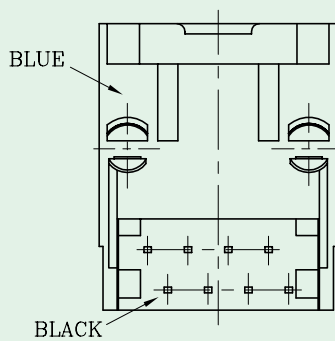
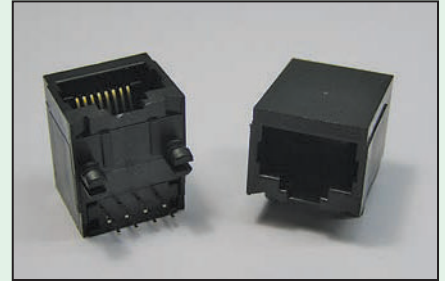
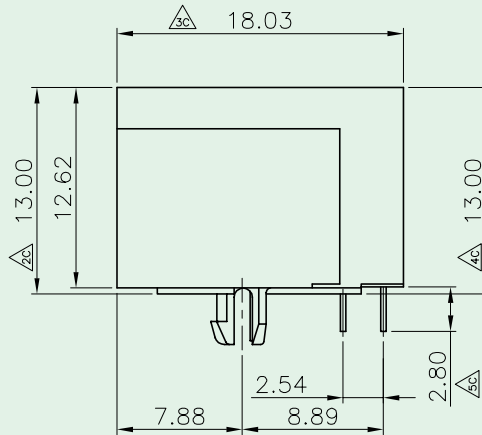
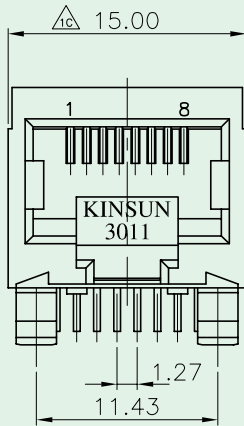
## Ordering Information





# Side Entry PCB Jack (Shorter Unshielded Type)

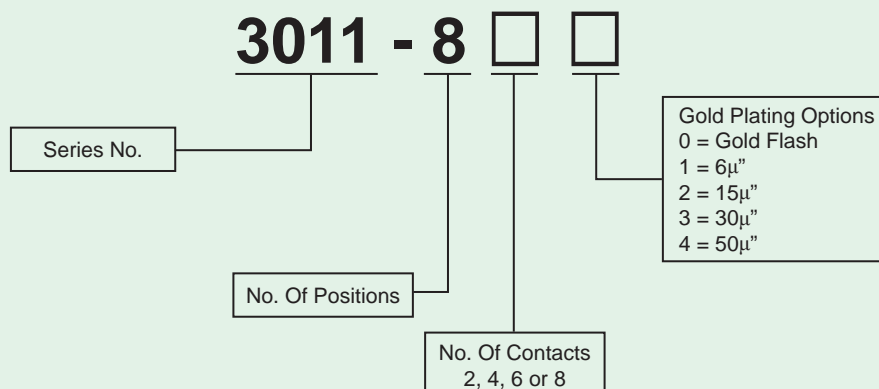
**KINSUN**



## Materials

- **Plastic Housing** : Engineering Thermoplastic.  
Flammability Rating UL 94V-0.
- **Contacts** : Phosphor Bronze.
- **Plating** : Gold Plating Over Nickel In Contact.  
Tin Plating Over Nickel In Solder Area.

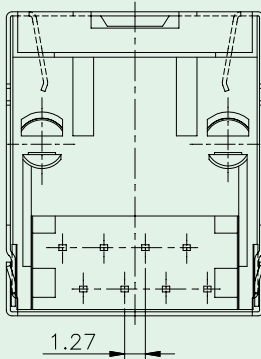
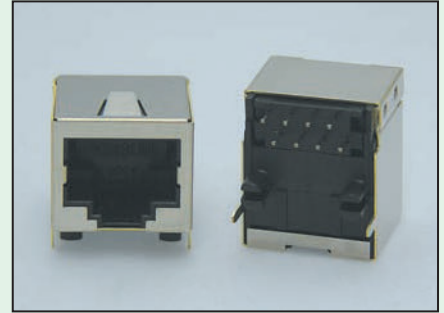
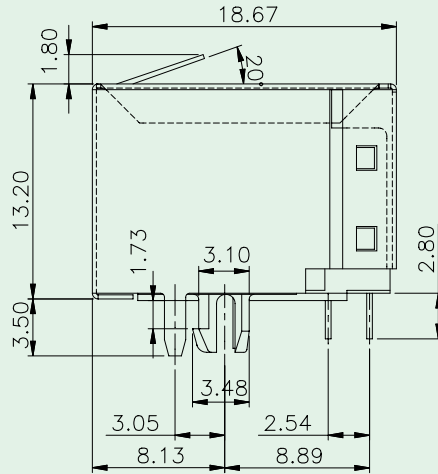
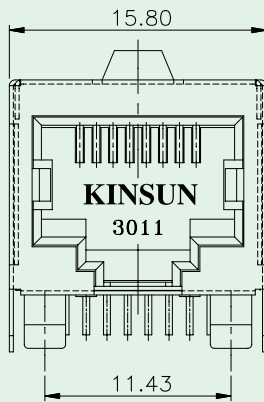
## Ordering Information



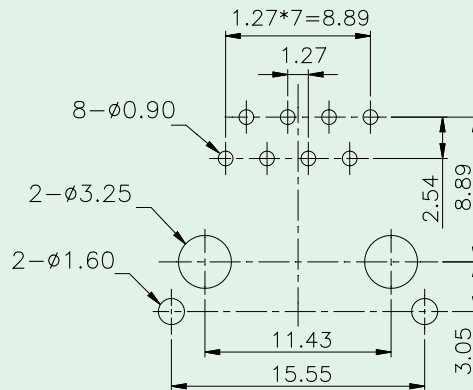


# Side Entry PCB Jack (RJ45, Shielded Type)

**KINSUN**



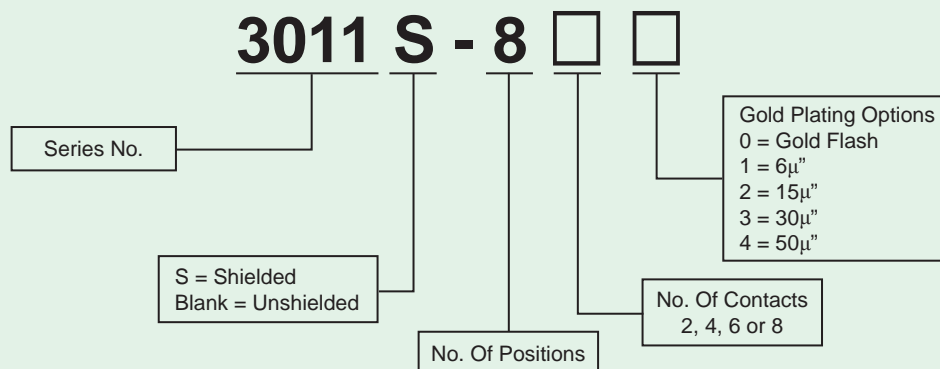
### PCB Layout / Top View



## Materials

- **Shield** : Brass With Nickel Plated.
- **Housing** : Engineering Thermoplastic.  
Flammability Rating UL 94V-0.
- **Contacts** : Phosphor Bronze.
- **Plating** : Gold Plating Over Nickel In Contact Area.  
Tin Plating Over Nickel In Solder Area.

## Ordering Information

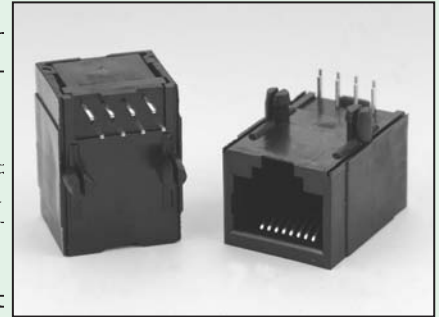




# Side Entry PCB Jack ( RJ45, Unshielded Type )

**KINSUN**

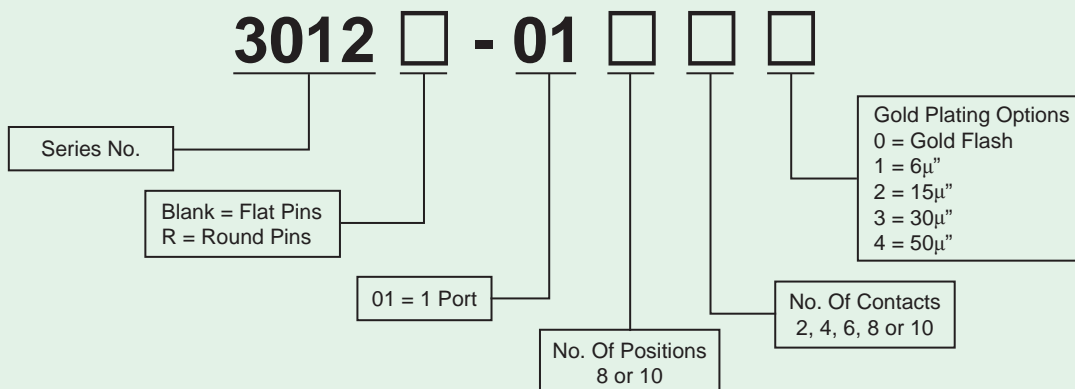
PCB Layout / Top View



## Materials

- **Housing** : Engineering Thermoplastic.  
Flammability Rating UL 94V-0.
- **Contacts** : 1) Flat Pins : 0.35mm Thickness Phosphor Bronze.  
Gold Plating Over Nickel In Contact Area.  
Tin Plating Over Nickel In Solder Area.  
2) Round Pins : 0.46mm Diameter Phosphor Bronze.  
Gold Plating Over Nickel.

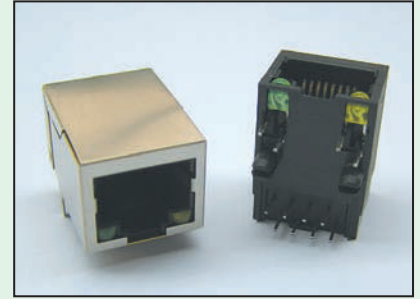
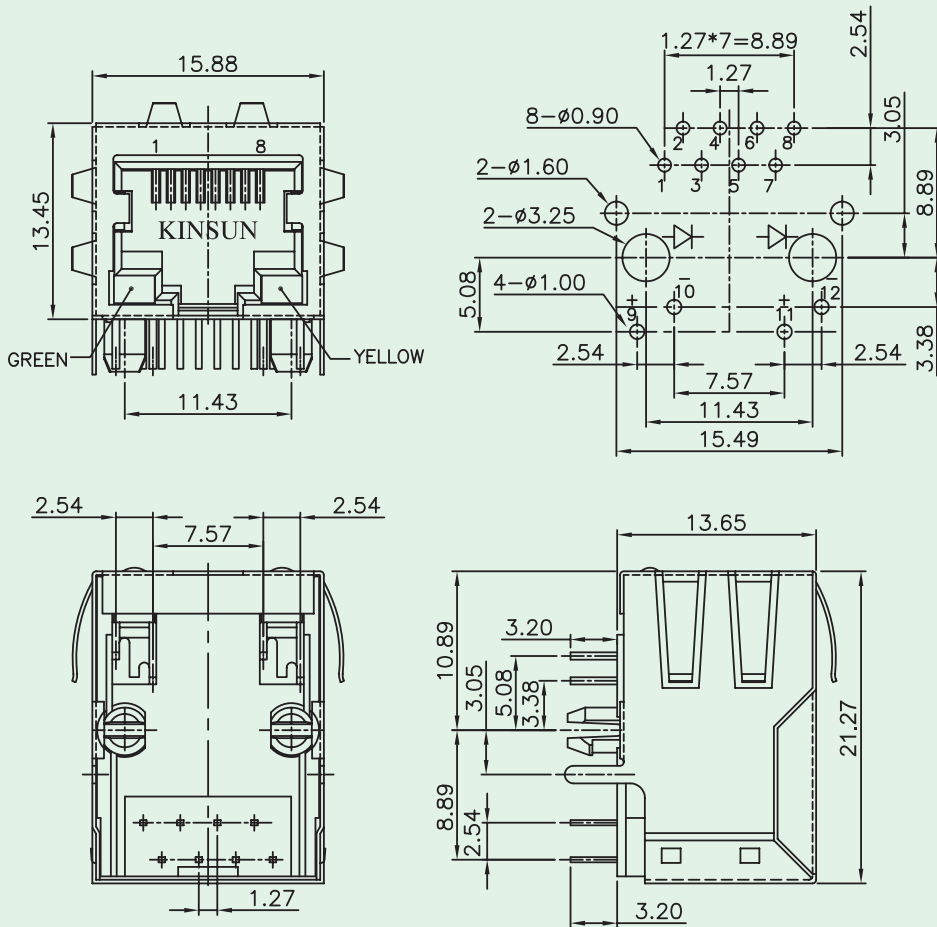
## Ordering Information





## Side Entry PCB Jack Shielded (RJ45, With LED)

KINSUN



### Materials

- **Housing** : Engineering Thermoplastic.  
Flammability Rating UL 94V-0.
- **Contacts** : Phosphor Bronze.
- **Plating** : Gold Plating Over Nickel In Contact.  
Tin Plating Over Nickel In Solder Area.
- **Shielded** : Brass With Nickel Plated.

### Ordering Information

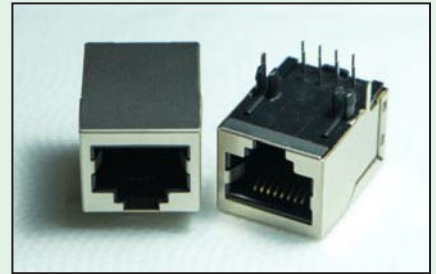
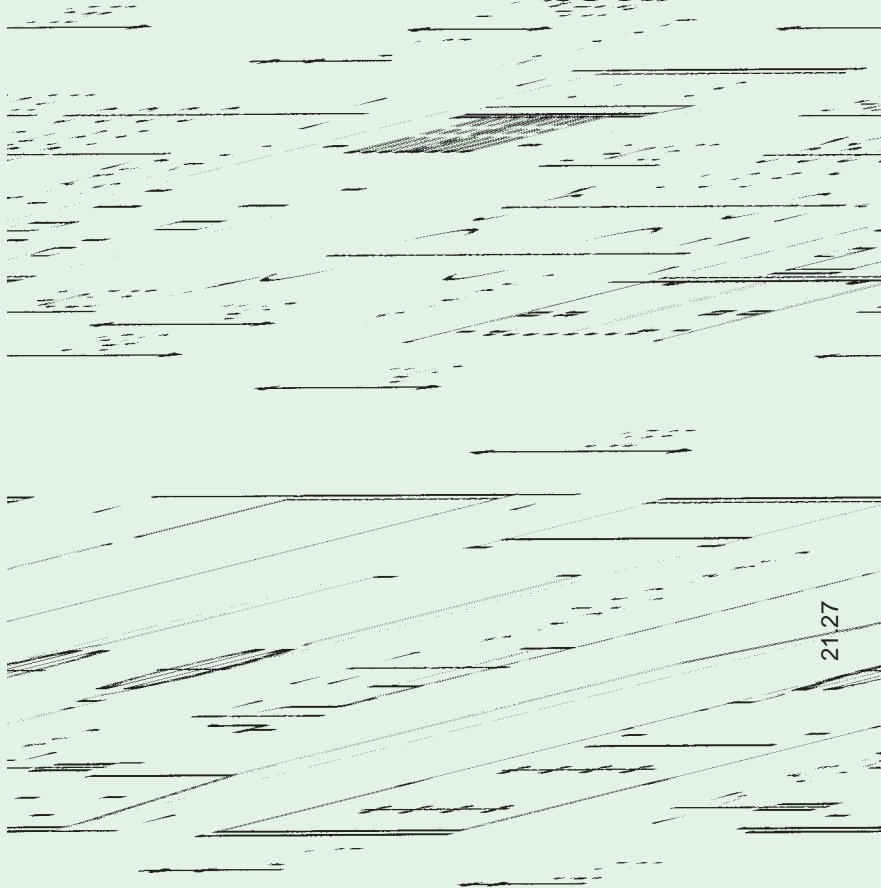
**3012S - 01 W/LED Series**



# Side Entry PCB Jack (RJ45, Shielded Type)

**KINSUN**

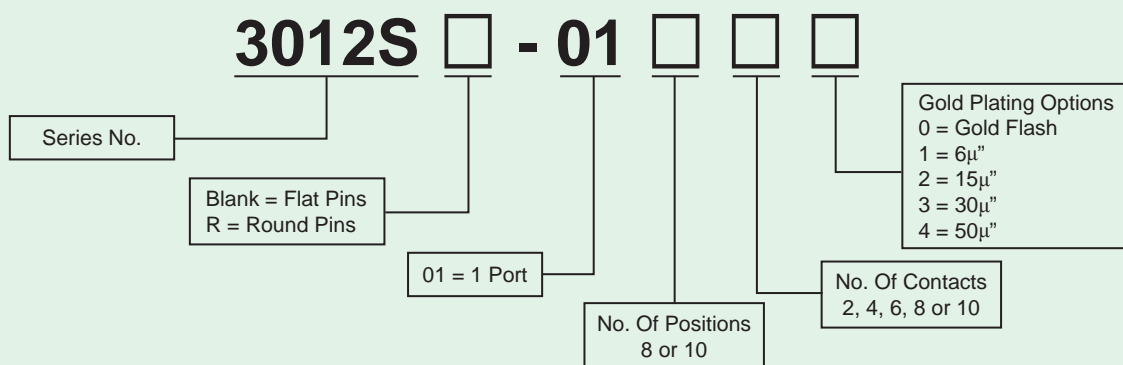
PCB Layout / Top View



## Materials

- **Shield** : Brass With Nickel Plated.
- **Housing** : Engineering Thermoplastic.  
Flammability Rating UL 94V-0.
- **Contacts** : 1) Flat Pins : 0.35mm Thickness Phosphor Bronze.  
Gold Plating Over Nickel In Contact Area.  
Tin Plating Over Nickel In Solder Area.  
2) Round Pins : 0.46mm Diameter Phosphor Bronze.  
Gold Plating Over Nickel.

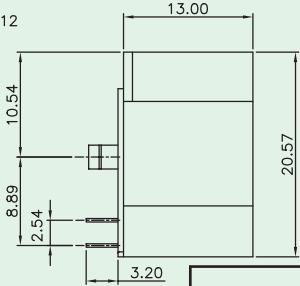
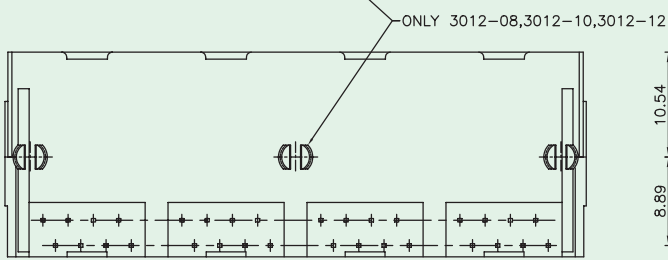
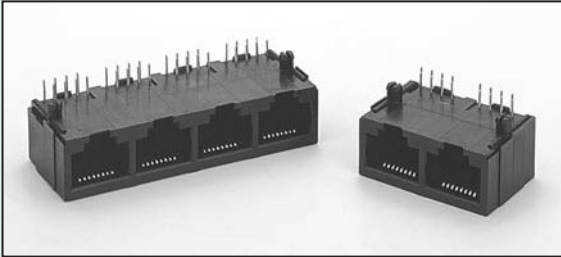
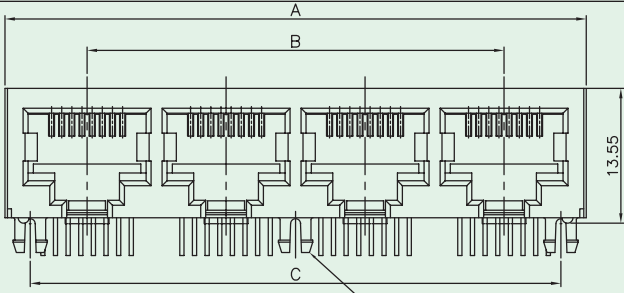
## Ordering Information



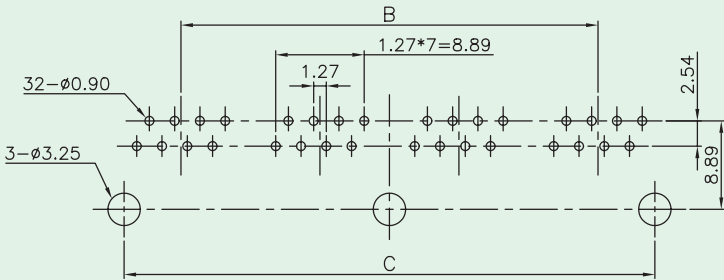
Option : (1) With or Without Different Grounding Tabs.  
(2) More Grounding Pin Spacings.



# Side Entry PCB Jack ( Multi-Port, RJ45, UTP )



PCB LAYOUT/TOP VIEW

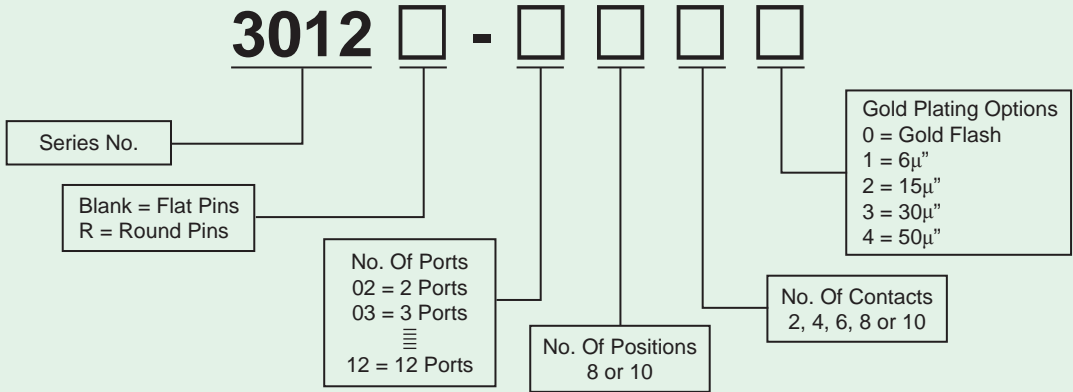


Part No.	No. of Ports	A	B	C
3012-02	2	30.48	13.97	25.40
3012-03	3	44.45	27.94	39.37
3012-04	4	58.42	41.91	53.34
3012-05	5	72.39	55.88	67.31
3012-06	6	86.38	69.85	81.28
3012-08	8	114.30	97.79	109.22
3012-10	10	142.24	125.73	137.16
3012-12	12	170.18	153.67	165.10

## Materials

- **Housing** : Engineering Thermoplastic.  
Flammability Rating UL 94V-0.
- **Contacts** : Phosphor Bronze.
- **Plating** : Gold Plating Over Nickel In Contact.  
Tin Plating Over Nickel In Solder Area.

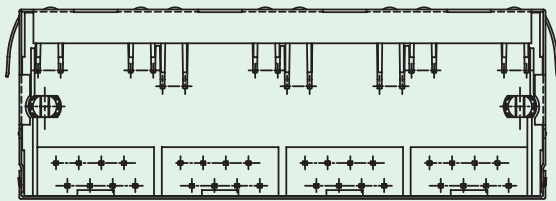
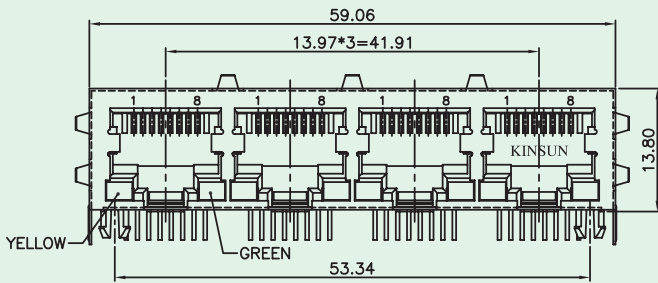
## Ordering Information



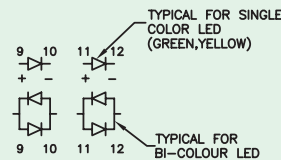
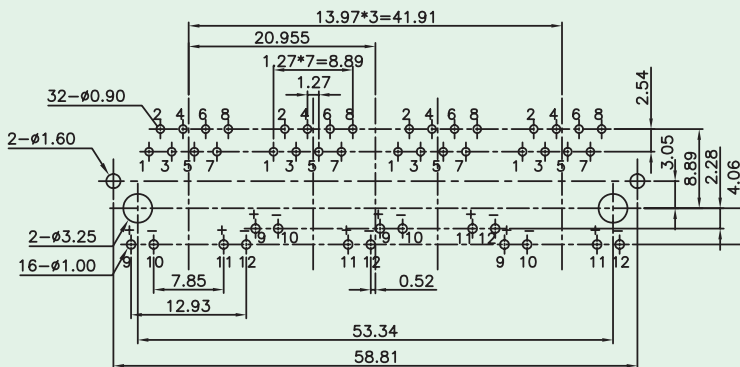
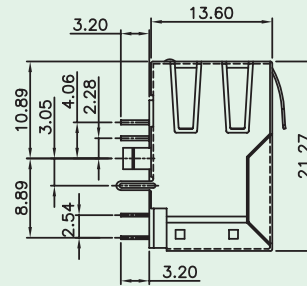


# Side Entry PCB Jack Shielded ( Multi-Port, With LED )

**KINSUN**



PCB LAYOUT/TOP VIEW



## Materials

- **Housing** : Engineering Thermoplastic.  
Flammability Rating UL 94V-0.
- **Contacts** : Phosphor Bronze.
- **Plating** : Gold Plating Over Nickel In Contact.  
Tin Plating Over Nickel In Solder Area.
- **Shield** : Brass With Nickel Plated.

## Ordering Information

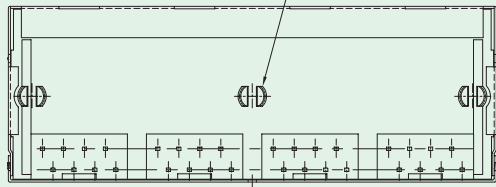
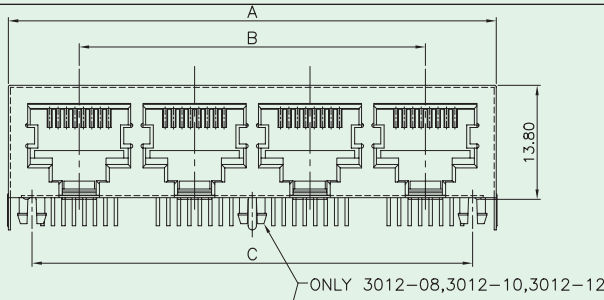
**3012S - 04 W/LED Series**



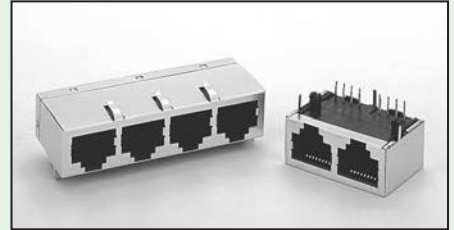
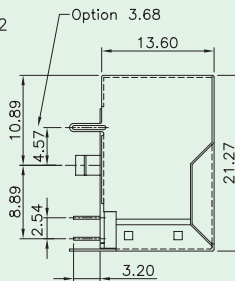
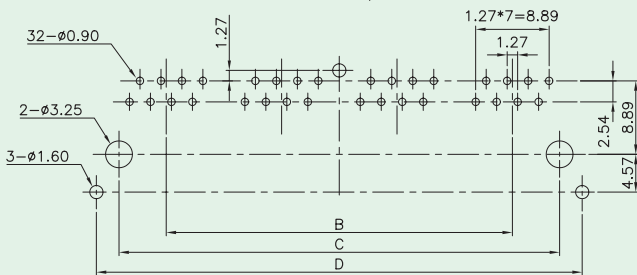


# Side Entry PCB Jack ( Multi-Port, RJ45, STP )

**KINSUN**



PCB LAYOUT/TOP VIEW

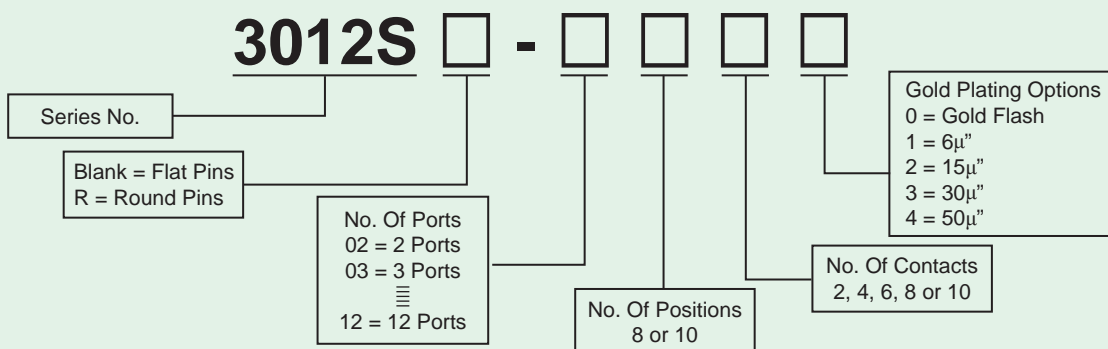


Part No.	No. of Ports	A	B	C	D
3012-02	2	31.12	13.97	25.40	30.87
3012-03	3	45.09	27.94	39.37	44.84
3012-04	4	59.06	41.91	53.34	58.81
3012-05	5	73.03	55.88	67.31	72.78
3012-06	6	87.00	69.85	81.28	86.75
3012-08	8	114.94	97.79	109.22	114.69
3012-10	10	142.88	125.73	137.16	142.63
3012-12	12	170.82	153.67	165.10	170.57

## Materials

- **Shield** : Brass With Nickel Plated.
- **Housing** : Engineering Thermoplastic.  
Flammability Rating UL 94V-0.
- **Contacts** : 1) Flat Pins : 0.35mm Thickness Phosphor Bronze.  
Gold Plating Over Nickel In Contact Area.  
Tin Plating Over Nickel In Solder Area.  
2) Round Pins : 0.46mm Diameter Phosphor Bronze.  
Gold Plating Over Nickel.

## Ordering Information

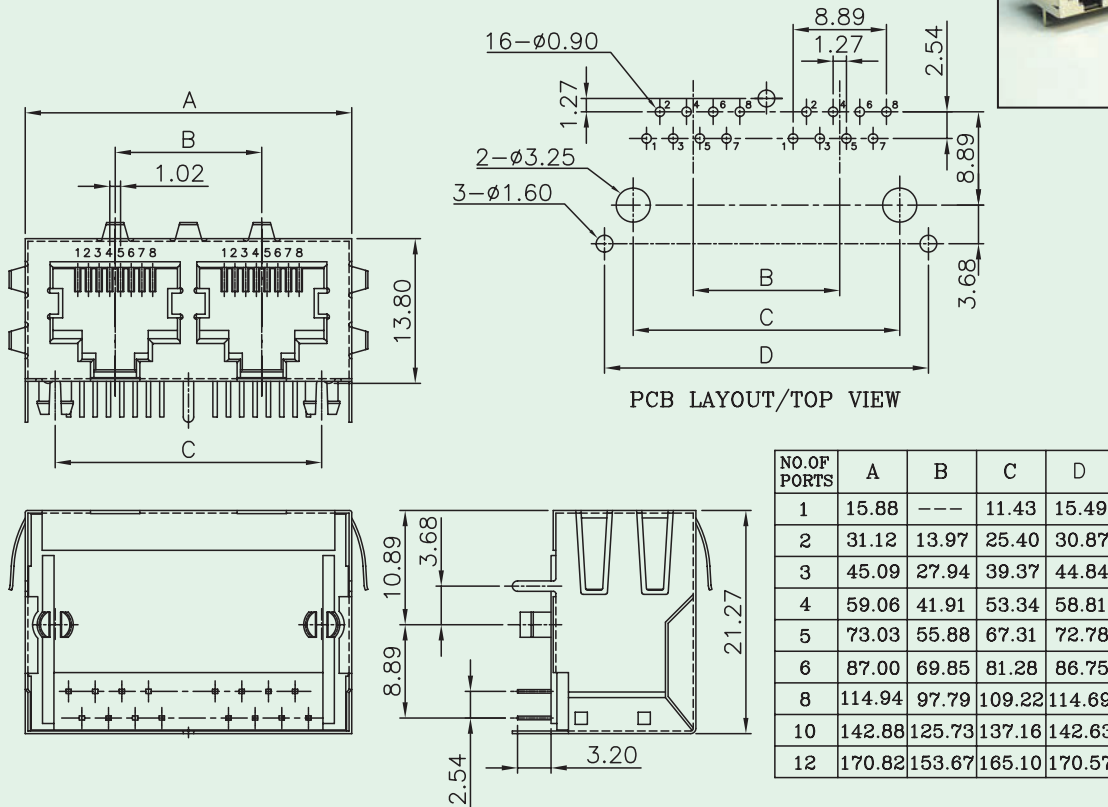
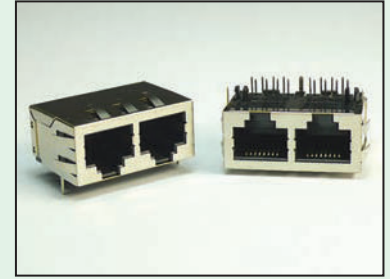


Option : (1) With or Without Different Grounding Tabs.  
(2) More Grounding Pin Spacings.



# Side Entry PCB Jack (Multi-Port, CAT.5 TYPE)

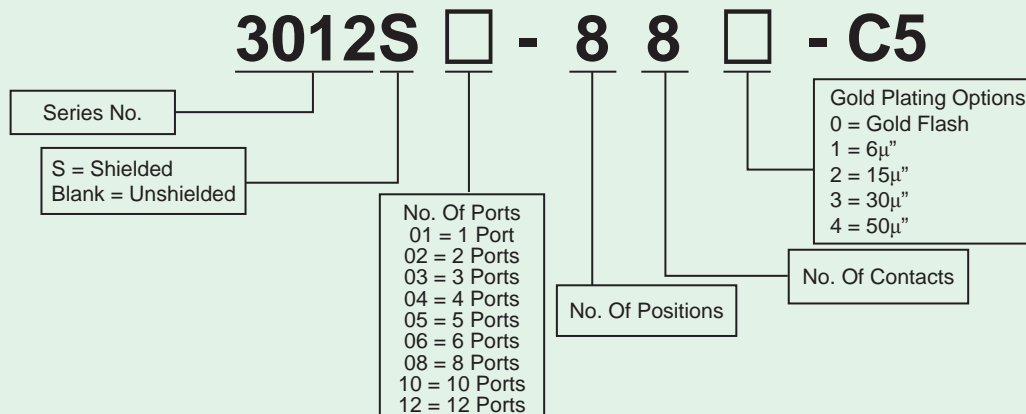
**KINSUN**



## Materials

- **Shield** : Brass With Nickel Plated.
- **Housing** : Engineering Thermoplastic.  
Flammability Rating UL 94V-0.
- **Contacts** : Phosphor Bronze
- **Plating** : Gold Plating Over Nickel In Contact.  
Tin Plating Over Nickel In Solder Area.

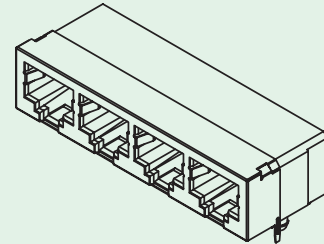
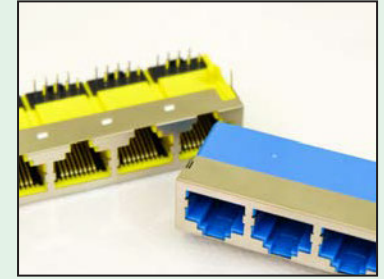
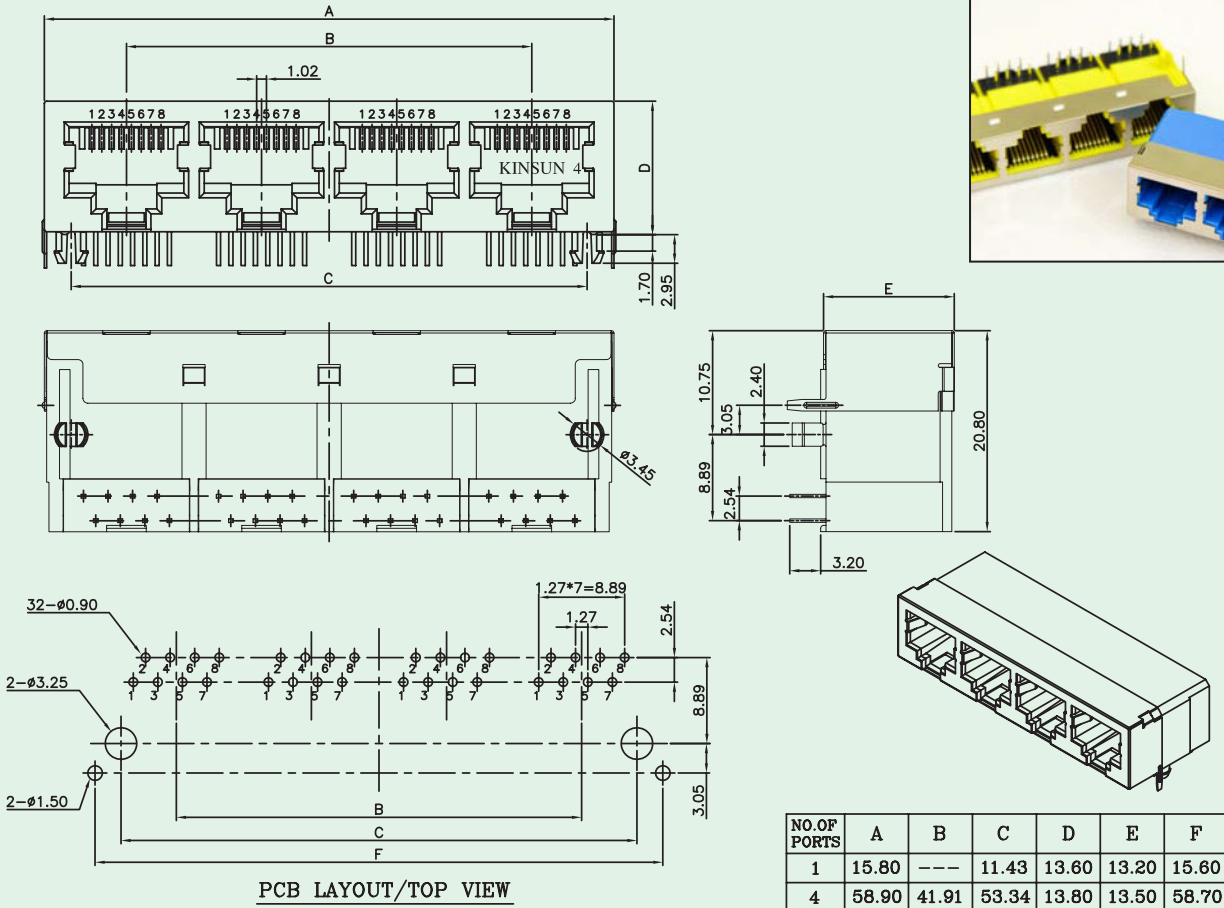
## Ordering Information





# Side Entry PCB Jack Multi-Port ( Half Shielded )

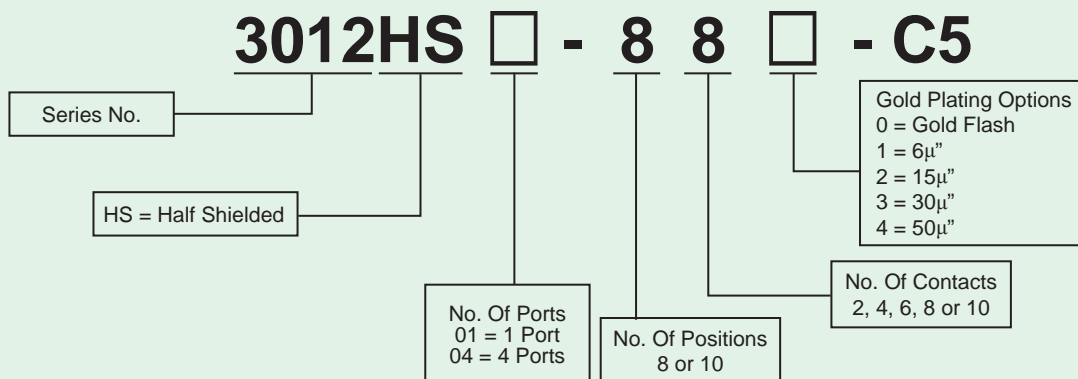
**KINSUN**



## Materials

- **Shield** : Brass With Nickel Plated.
- **Housing** : Engineering Thermoplastic.  
Flammability Rating UL 94V-0.
- **Contacts** : Phosphor Bronze
- **Plating** : Gold Plating Over Nickel In Contact.  
Tin Plating Over Nickel In Solder Area.

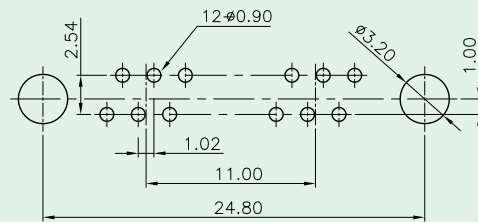
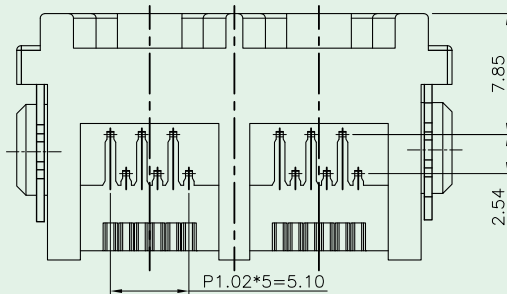
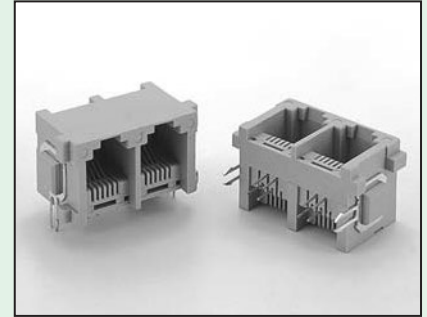
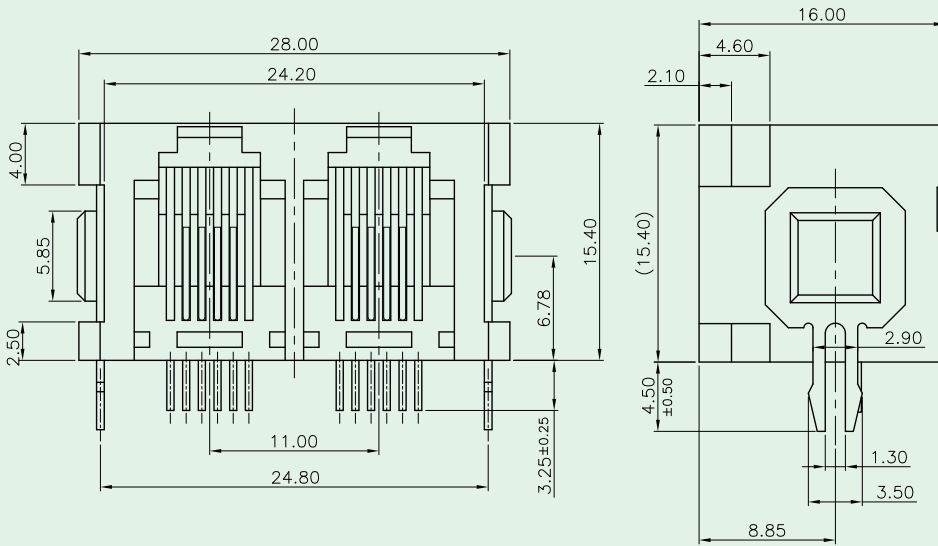
## Ordering Information





# Side Entry PCB Jack (Dual-Port, With Metal Peg)

**KINSUN**

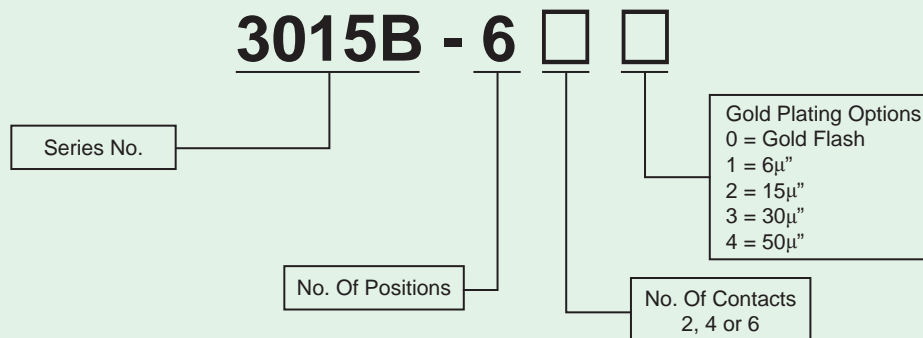


PCB LAYOUT/TOP VIEW

## Materials

- **Metal Peg** : 0.5mm Thickness Phosphor Bronze With Tin Plated.
- **Housing** : Engineering Thermoplastic.  
Flammability Rating UL 94V-0.  
Standard Color : Black or Gray.
- **Contacts** : Phosphor Bronze.
- **Plating** : Gold Plating Over Nickel In Contact.  
Tin Plating Over Nickel In Solder Area.

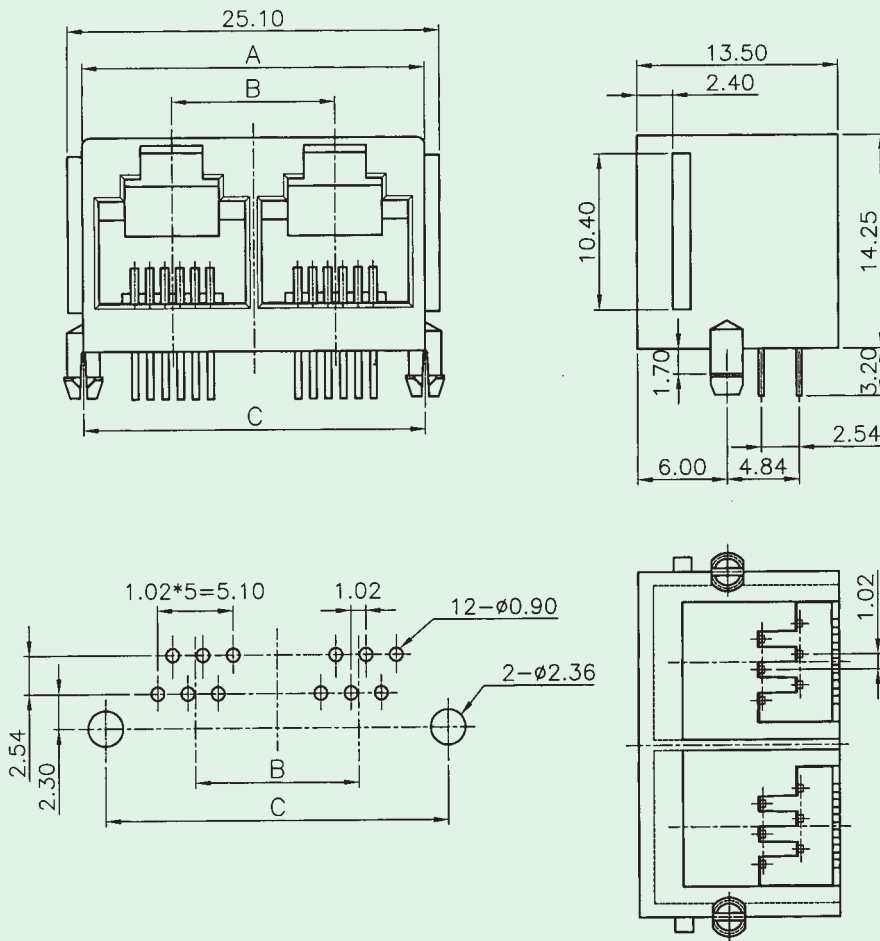
## Ordering Information





# Side Entry PCB Jack ( Multi-Port, RJ11, UTP )

**KINSUN**

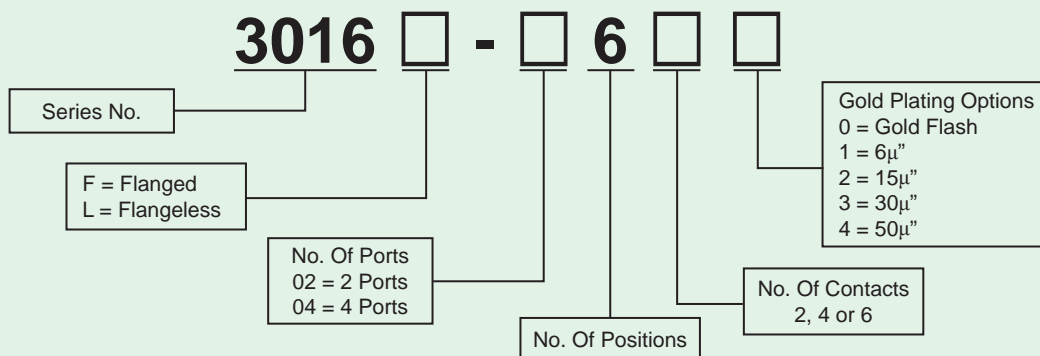


Part No.	No. of Ports	A	B	C
3016-02	2	23.10	11.00	23.10
3016-04	4	45.10	33.00	45.10

## Materials

- **Housing** : Engineering Thermoplastic.  
Flammability Rating UL 94V-0.  
Standard Color : Black or Gray.
- **Contacts** : Phosphor Bronze.
- **Plating** : Gold Plating Over Nickel In Contact Area.  
Tin Plating Over Nickel In Solder Area.

## Ordering Information

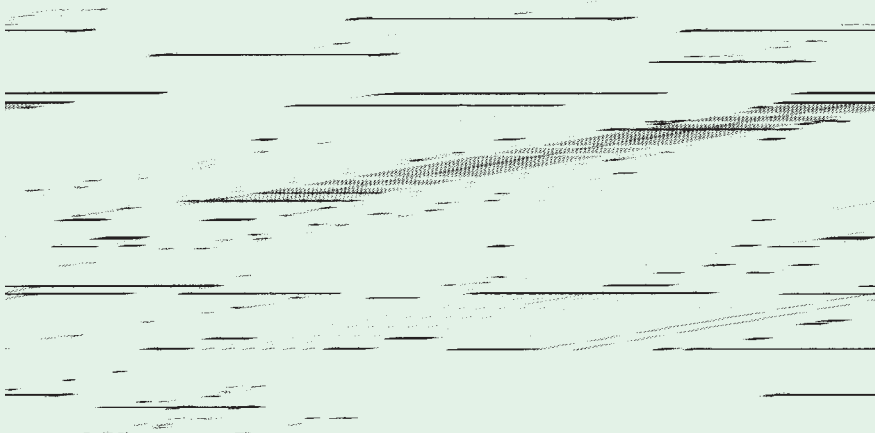
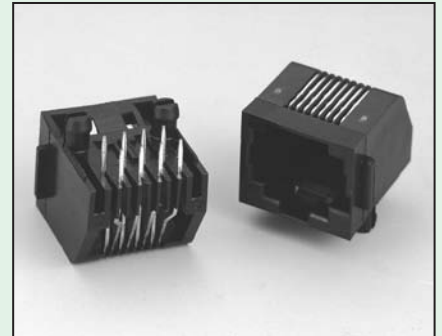


**For More Information : Other Ports Will Be Available Under Your Confirmation.**

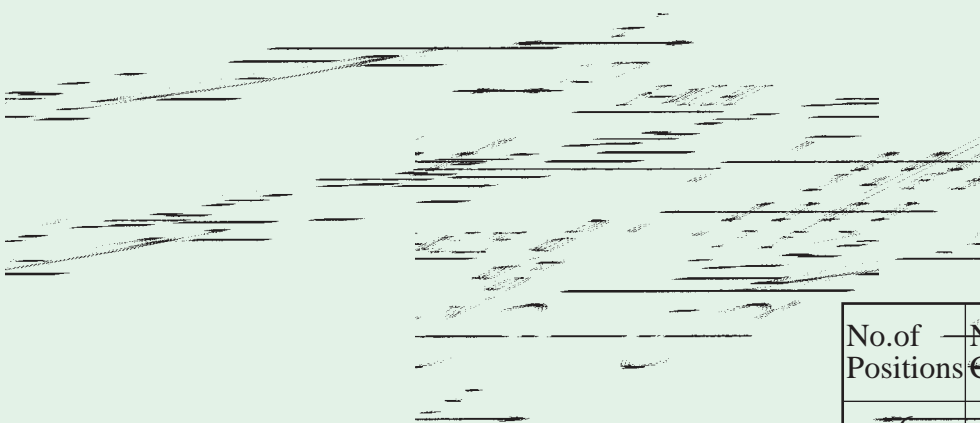


# Side Entry PCB Jack ( Low Profile, Unshielded )

**KINSUN**



PCB Layout / Top View

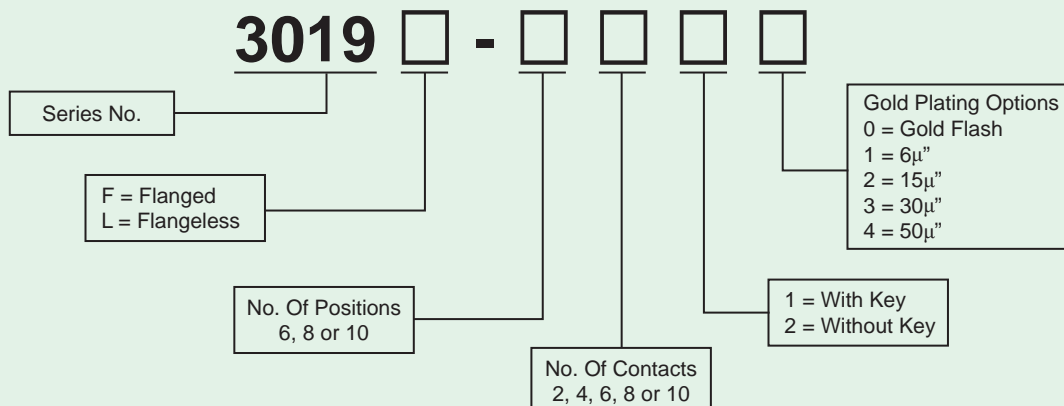


No. of Positions	No. of Contacts	Dimensions			
		A	B	C	D
6	6/4/2	13.21	10.16	6.35	15.74
8	8/10	15.24	11.43	8.89	17.78

## Materials

- **Housing** : Engineering Thermoplastic.  
Flammability Rating UL 94V-0.
- **Contacts** : Phosphor Bronze.
- **Plating** : Gold Plating Over Nickel In Contact Area.  
Tin Plating Over Nickel In Solder Area.

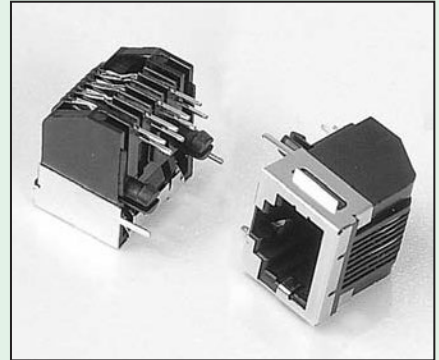
## Ordering Information





# Side Entry PCB Jack ( Low Profile, Shielded )

**KINSUN**



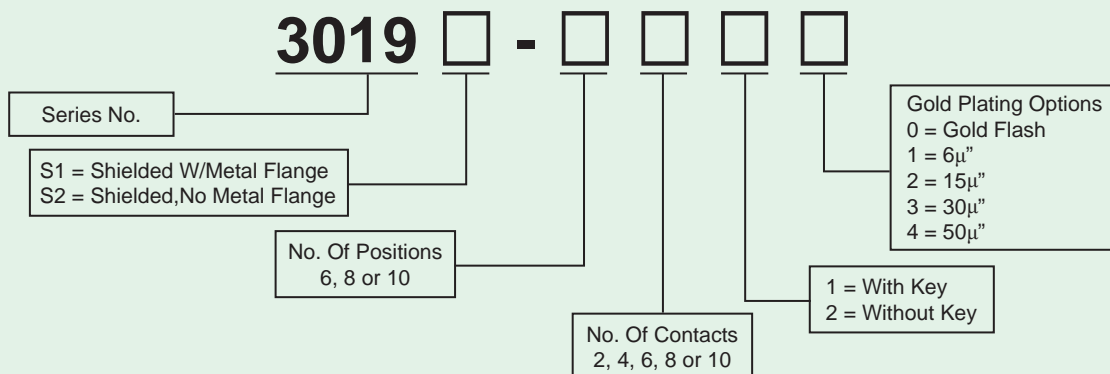
No. of Positions	No. of Contacts	Dimensions			
		A	B	C	D
6	6/4/2	13.83	10.16	6.35	13.72
8	8/10	15.86	11.43	8.89	15.75

PCB Layout / Top View

## Materials

- **Shield** : Brass With Nickel Plated.
- **Housing** : Engineering Thermoplastic.  
Flammability Rating UL 94V-0.
- **Contacts** : Phosphor Bronze.
- **Plating** : Gold Plating Over Nickel In Contact Area.  
Tin Plating Over Nickel In Solder Area.

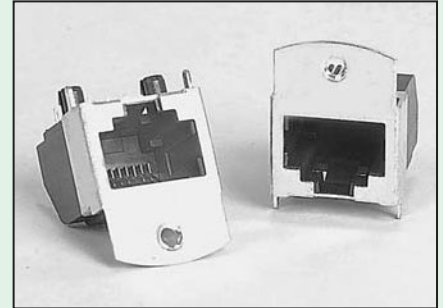
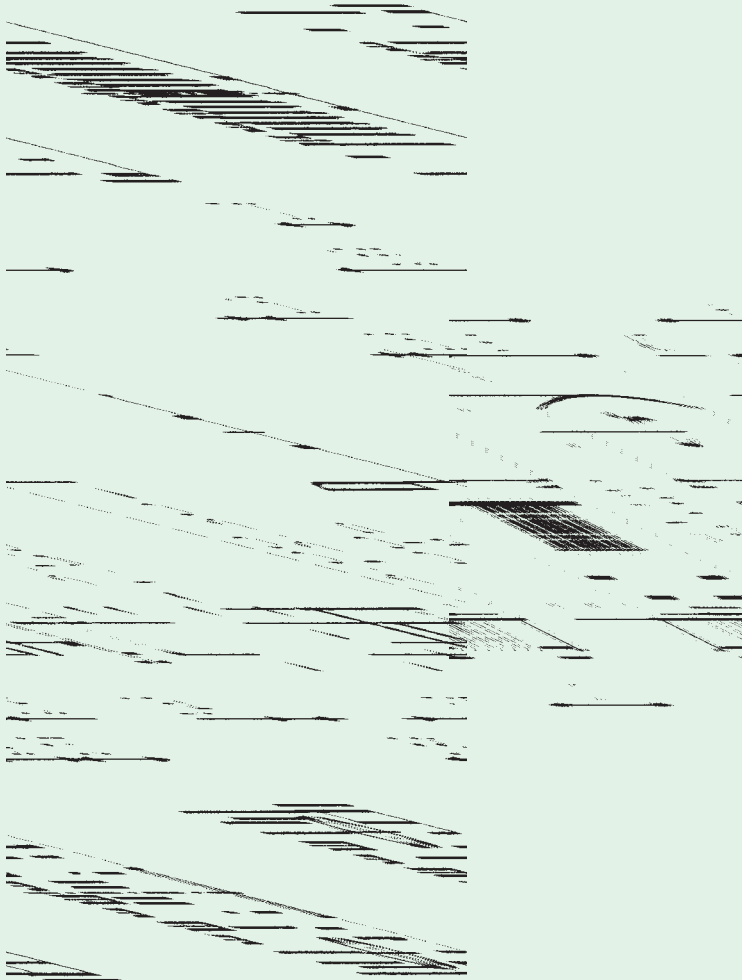
## Ordering Information



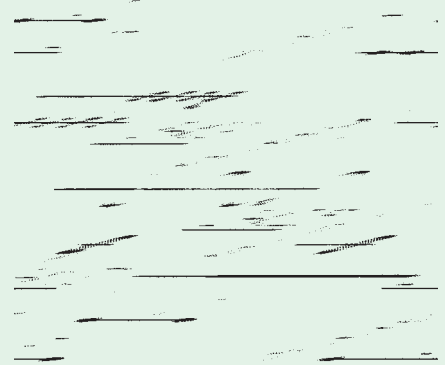


# Side Entry PCB Jack ( Low Profile, Shielded With Screw Hole )

**KINSUN**



No. of Positions	Dimensions				
	A	B	C	D	E
6	14.50	13.50	10.16	6.35	13.84
8	16.53	15.53	11.43	8.89	16.11

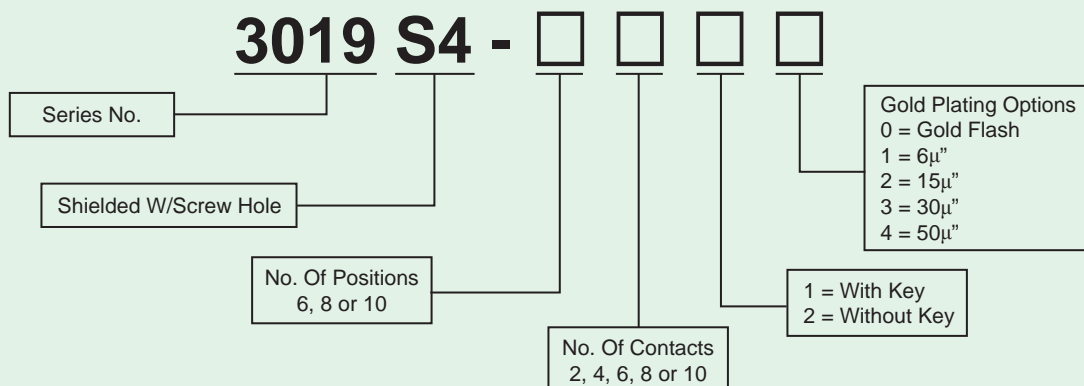


PCB Layout / Top View

## Materials

- **Shield** : 0.5mm Thickness Brass With Nickel Plated.
- **Housing** : Engineering Thermoplastic.  
Flammability Rating UL 94V-0.
- **Contacts** : Phosphor Bronze.
- **Plating** : Gold Plating Over Nickel In Contact Area.  
Tin Plating Over Nickel In Solder Area.

## Ordering Information

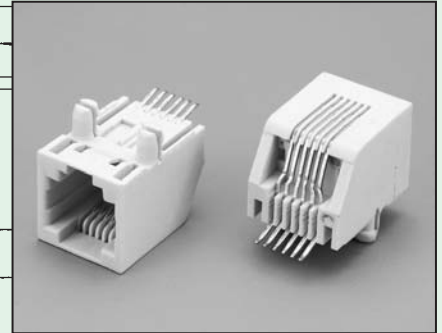






# Side Entry PCB Jack ( Low Profile, SMT Type )

**KINSUN**



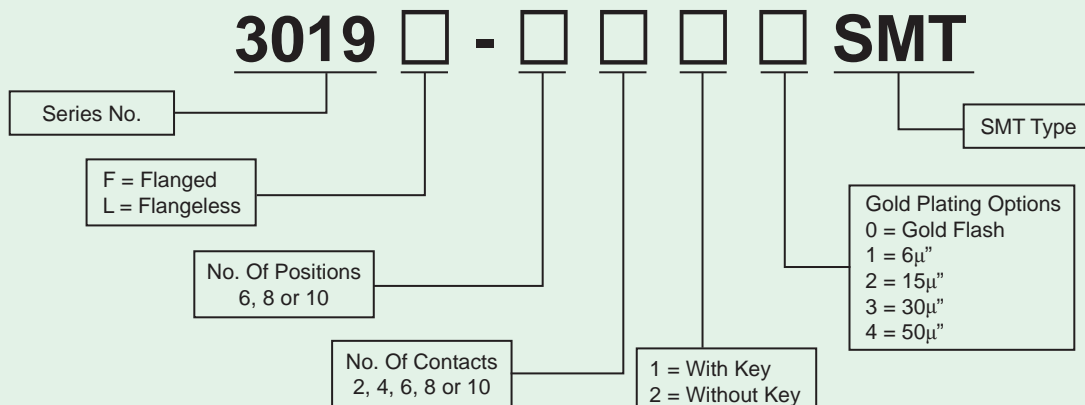
PCB Layout / Top View

No.of Positions	No.of Contacts	Dimensions			
		A	B	C	D
6	6/4/2	13.21	10.16	6.35	15.74
8	8/10	15.24	11.43	8.89	17.78

## Materials

- **Housing** : High Temp. Thermoplastic.  
Flammability Rating UL 94V-0.
- **Contacts** : Phosphor Bronze.
- **Plating** : Gold Plating Over Nickel In Contact Area.  
Tin Plating Over Nickel In Solder Area.

## Ordering Information

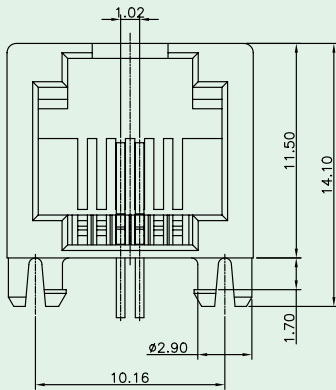
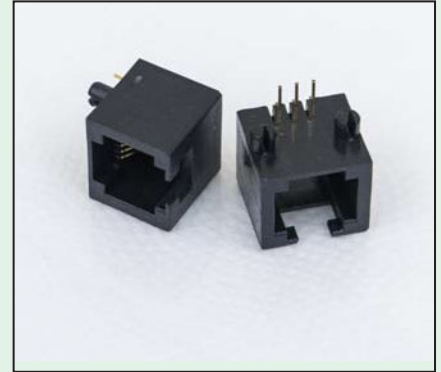
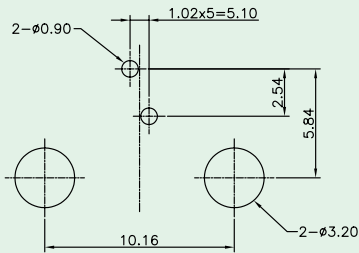
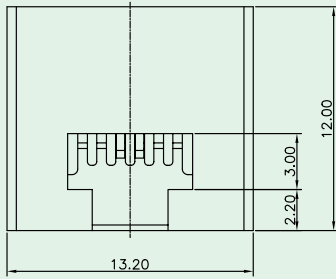


Option : Shielded Type Available.

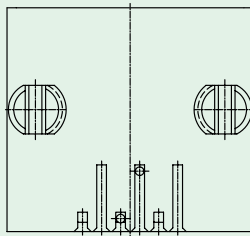
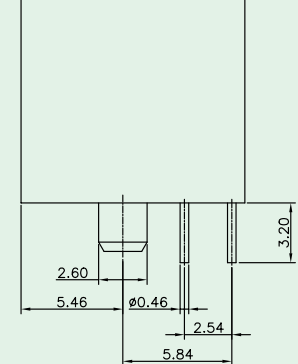


# Side Entry PCB Jack ( Up Latch, RJ11, Unshielded Type )

**KINSUN**



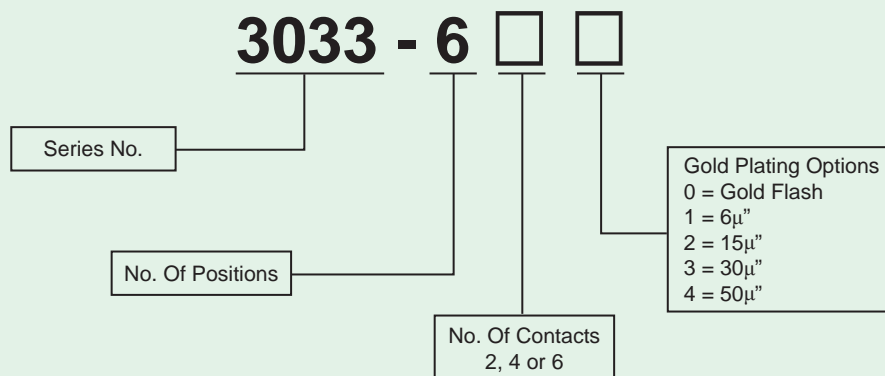
PCB Layout / Top View



## Materials

- **Housing** : Engineering Thermoplastic.  
Flammability Rating UL 94V-0.
- **Contacts** : 0.46mm Diameter Phosphor Bronze.
- **Plating** : Gold Plating Over Nickel.

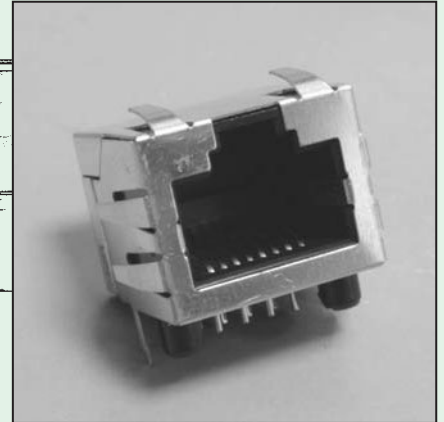
## Ordering Information





# Side Entry PCB Jack ( Up Latch, RJ45, Shielded Type )

**KINSUN**

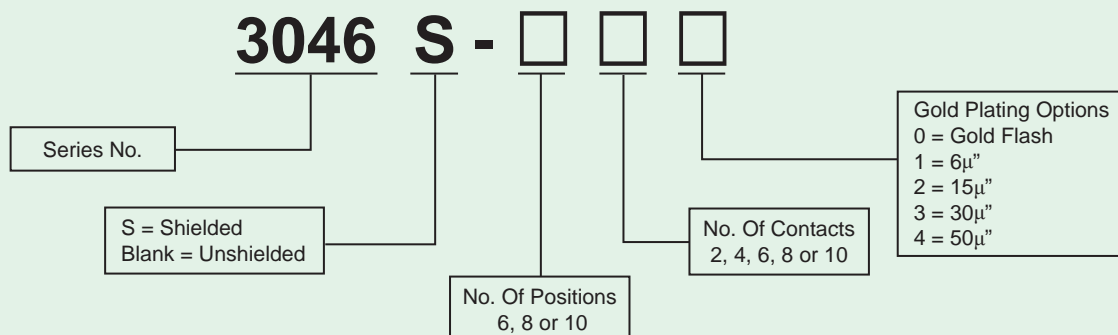


PCB Layout / Top View

## Materials

- **Housing** : Engineering Thermoplastic.  
Flammability Rating UL 94V-0.
- **Contacts** : Phosphor Bronze.
- **Plating** : Gold Plating Over Nickel In Contact Area.  
Tin Plating Over Nickel In Solder Area.

## Ordering Information

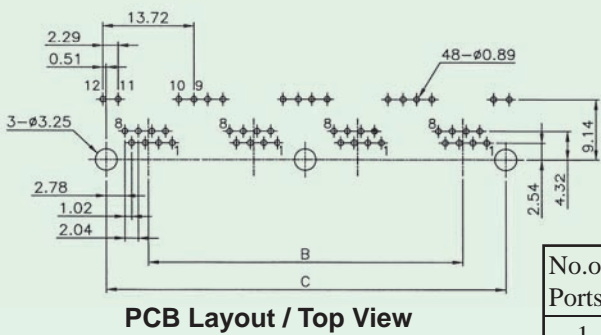
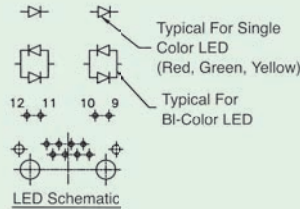
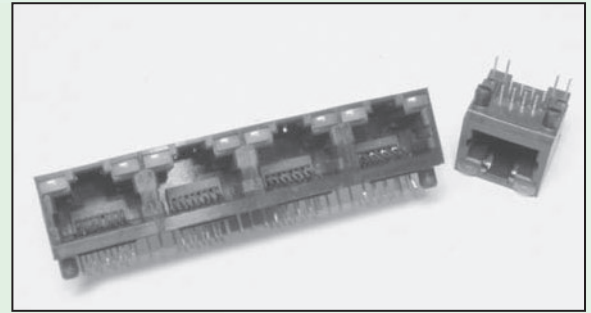
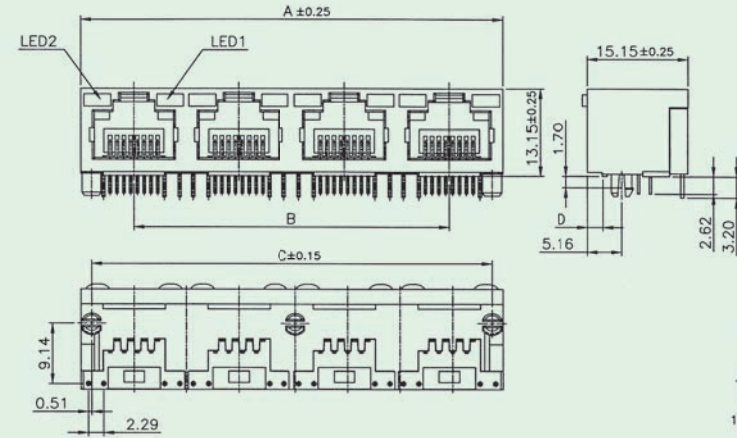


Option : With or Without Different Grounding Tabs.



# With LED PCB Jack (Side Entry, Multi-Port, UTP)

**KINSUN**



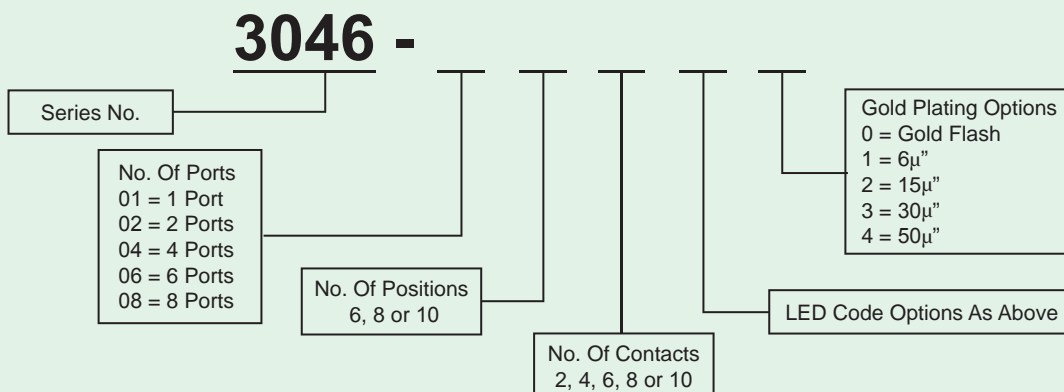
No. of Ports	Dimensions			
	A	B	C	D
1	15.91	/	12.70	2.25
2	31.66	15.75	28.45	2.37
4	63.16	47.25	59.94	2.37
6	94.66	78.75	91.45	2.37
8	126.16	110.25	122.94	2.37

Code	LED 2 (LEFT)	LED 1 (RIGHT)
0	No LED	No LED
1	Yellow	Green
2	No LED	Green
3	Green	Yellow
4	Green	Green
5	Yellow	Yellow
6	Yellow / Green	Yellow / Green
7	Green / Red	Green / Red
8	Yellow / Green	Yellow

## Materials

- **Housing** : Engineering Thermoplastic.  
Flammability Rating UL 94V-0.
- **Contacts** : Phosphor Bronze.
- **Plating** : Gold Plating Over Nickel In Contact Area.  
Tin Plating Over Nickel In Solder Area.

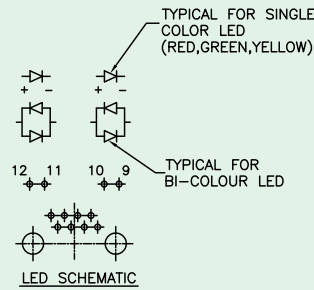
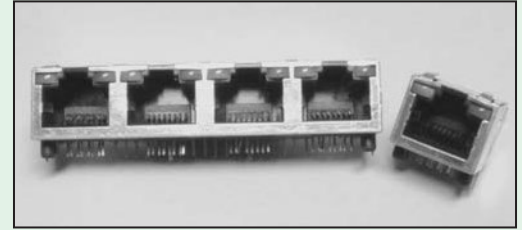
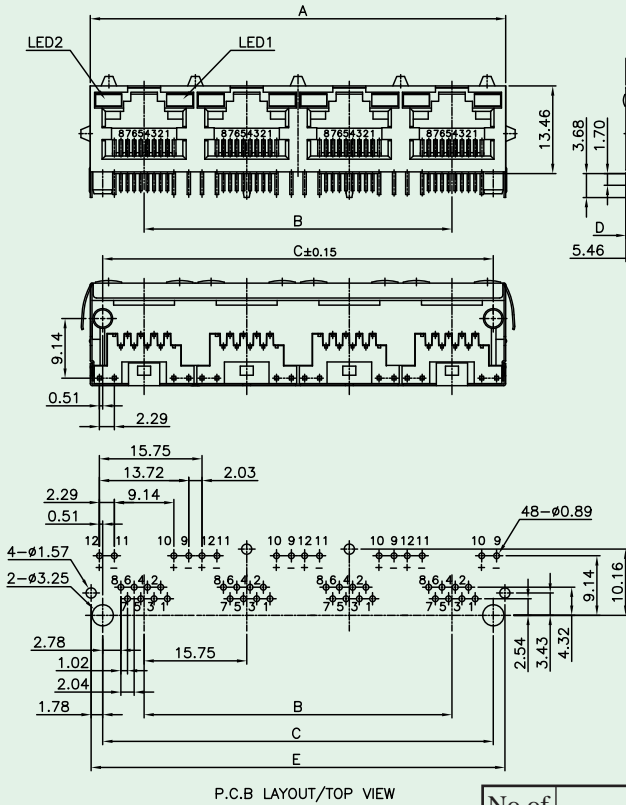
## Ordering Information





# With LED PCB Jack (Side Entry, Multi-Port, STP)

**KINSUN**



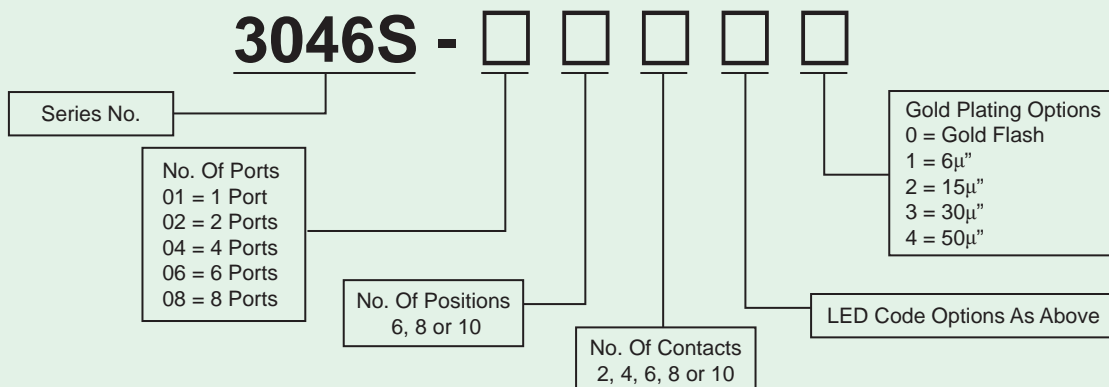
No. of Ports	Dimensions				
	A	B	C	D	E
1	16.51		12.70	2.54	16.26
2	32.26	15.75	28.45	2.67	32.00
4	63.76	47.25	59.94	2.67	63.50
6	95.26	78.75	91.45	2.67	95.02
8	126.76	110.25	122.94	2.67	126.51

Code	LED 2 (LEFT)	LED 1 (RIGHT)
0	No LED	No LED
1	Yellow	Green
2	No LED	Green
3	Green	Yellow
4	Green	Green
5	Yellow	Yellow
6	Yellow / Green	Yellow / Green
7	Green / Red	Green / Red
8	Yellow / Green	Yellow

## Materials

- **Shield** : Brass With Nickel Plated.
- **Housing** : Engineering Thermoplastic.  
Flammability Rating UL 94V-0.
- **Contacts** : Phosphor Bronze.
- **Plating** : Gold Plating Over Nickel In Contact Area.  
Tin Plating Over Nickel In Solder Area.

## Ordering Information

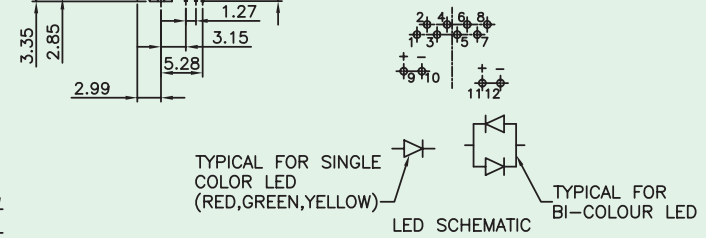
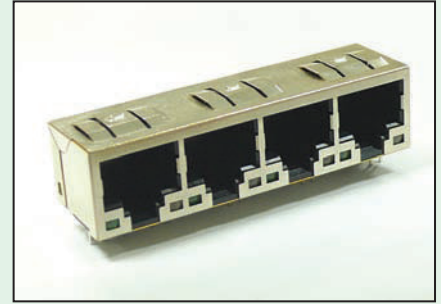
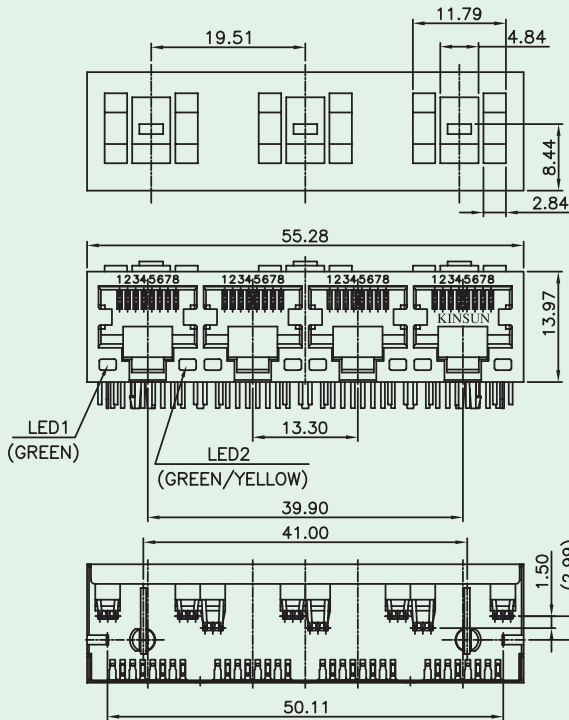


Option : With or Without Different Grounding Tabs.

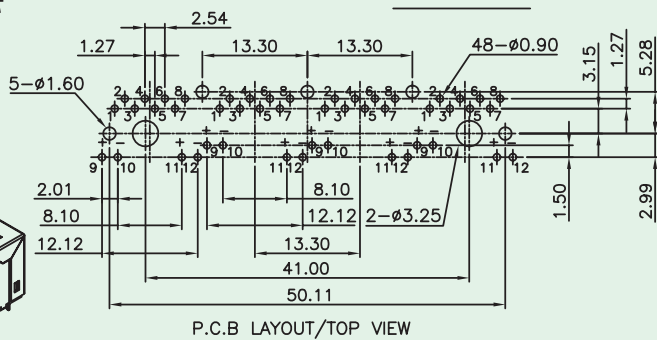
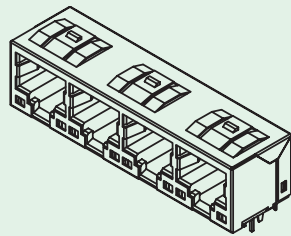


# Side Entry PCB Jack Shielded With LED Multi-Port

**KINSUN**



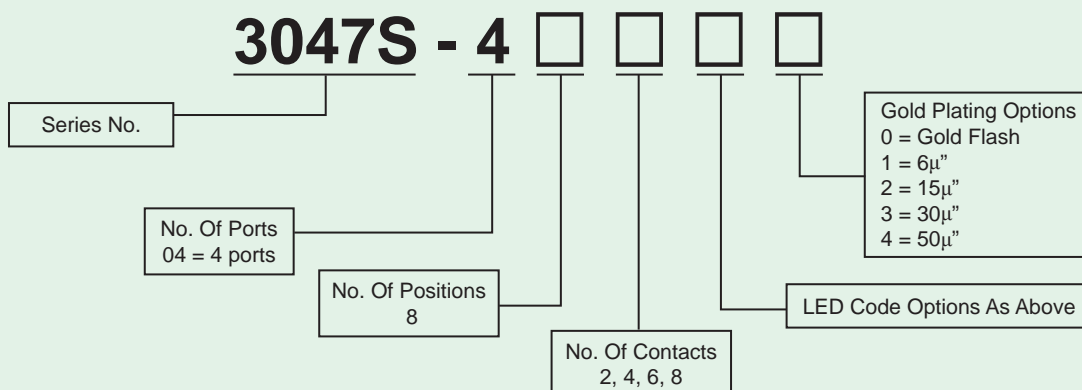
CODE	LED 2(RIGHT)	LED 1(LEFT)
0	NO LED	NO LED
1	YELLOW	GREEN
2	NO LED	GREEN
3	GREEN	YELLOW
4	GREEN	GREEN
5	YELLOW	YELLOW
6	YELLOW/GREEN	YELLOW/GREEN
7	GREEN/RED	GREEN/RED
8	YELLOW/GREEN	YELLOW



## Materials

- **Shield** : Brass With Nickel Plated.
- **Housing** : Engineering Thermoplastic.  
Flammability Rating UL 94V-0.
- **Contacts** : Phosphor Bronze.
- **Plating** : Gold Plating Over Nickel In Contact .  
Tin Plating Over Nickel In Solder Area.

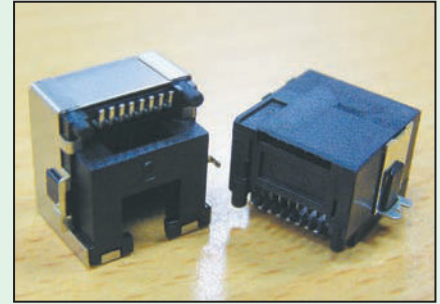
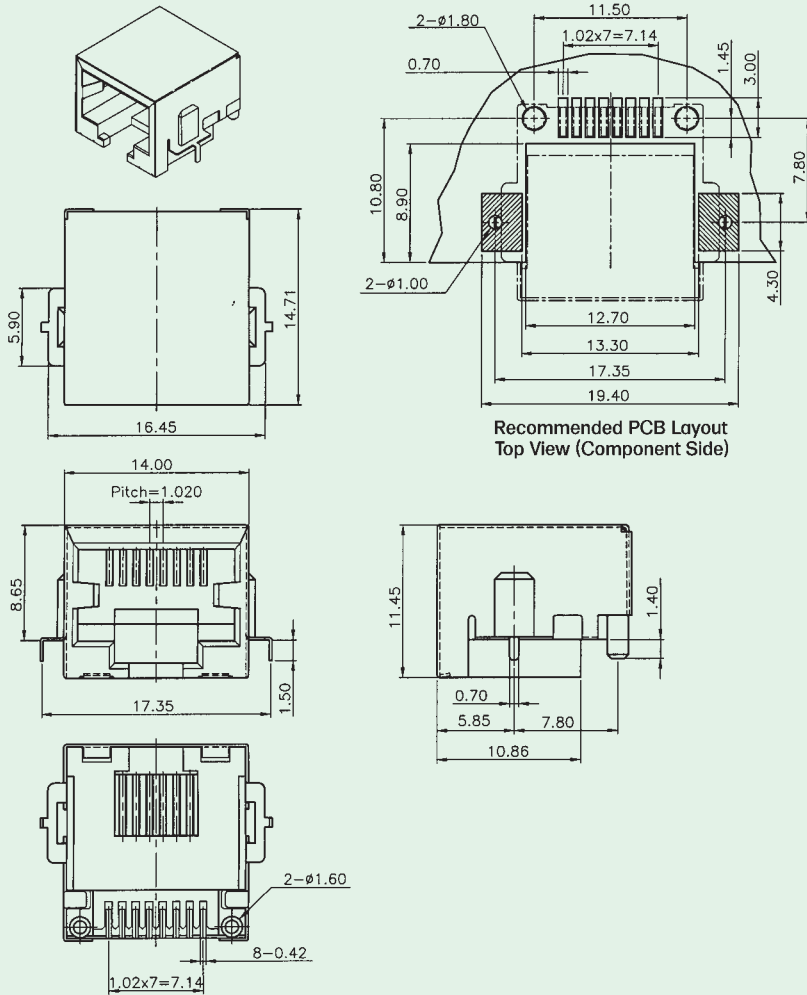
## Ordering Information





# Embedded PCB Jack ( SMT Type )

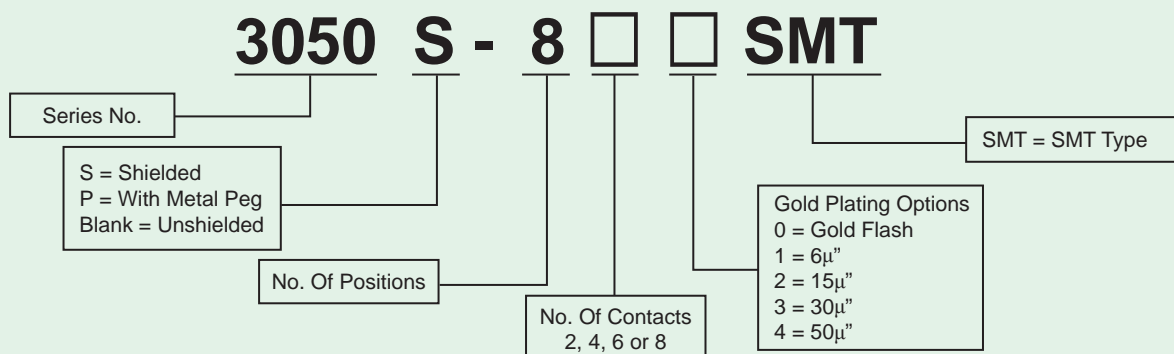
**KINSUN**



## Materials

- **Shield** : Brass With Nickel Plated.
- **Metal Peg** : Brass With Tin Plated.
- **Housing** : High Tmep. Thermoplastic.  
Flammability Rating UL 94V-0.
- **Contacts** : Phosphor Bronze.
- **Plating** : Gold Plating Over Nickel In Contact Area.  
Tin Plating Over Nickel In Solder Area.

## Ordering Information

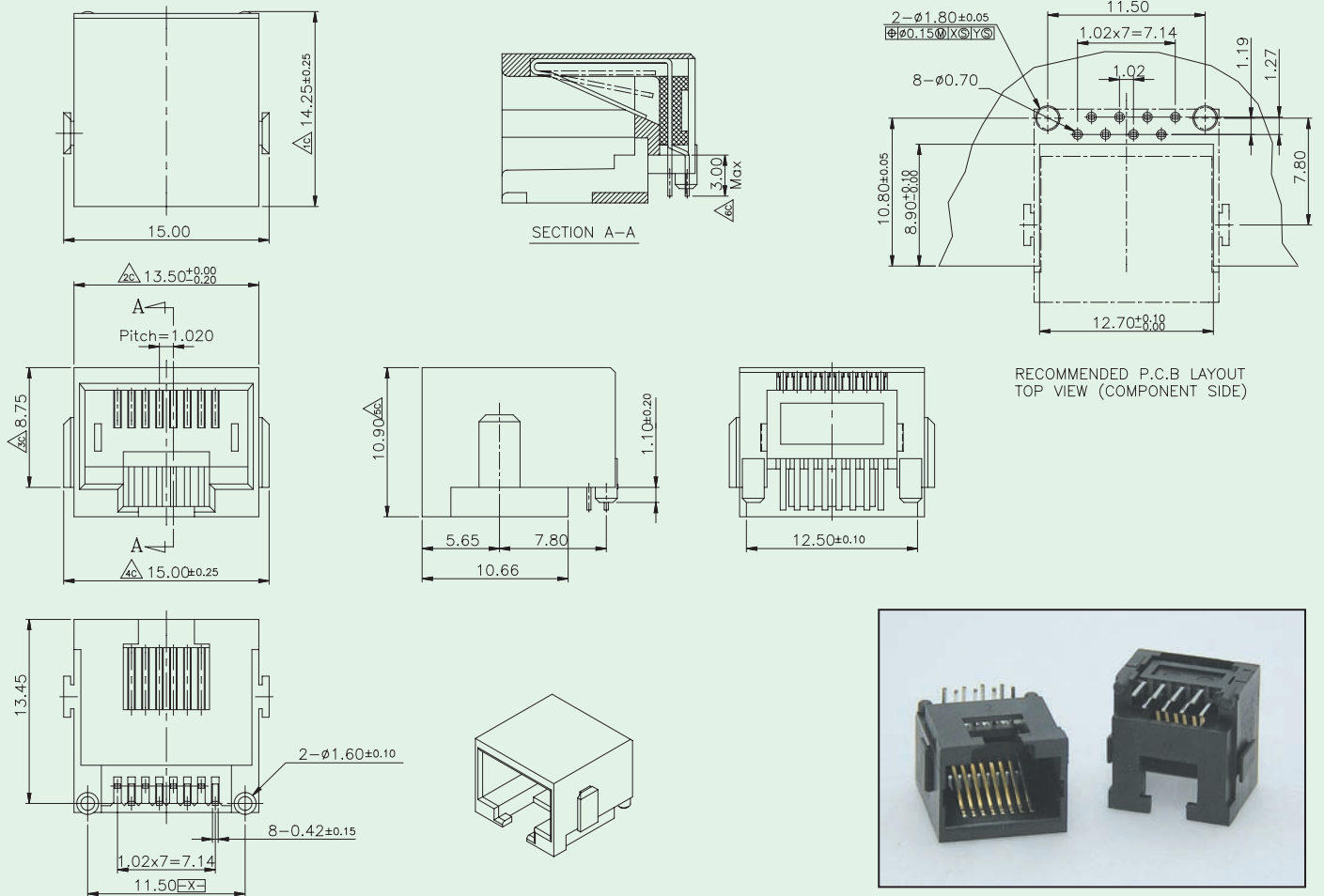


Option : 1.With top grounding tabs.  
2.Without panel stop.



# Embedded PCB Jack ( TH Type )

**KINSUN**

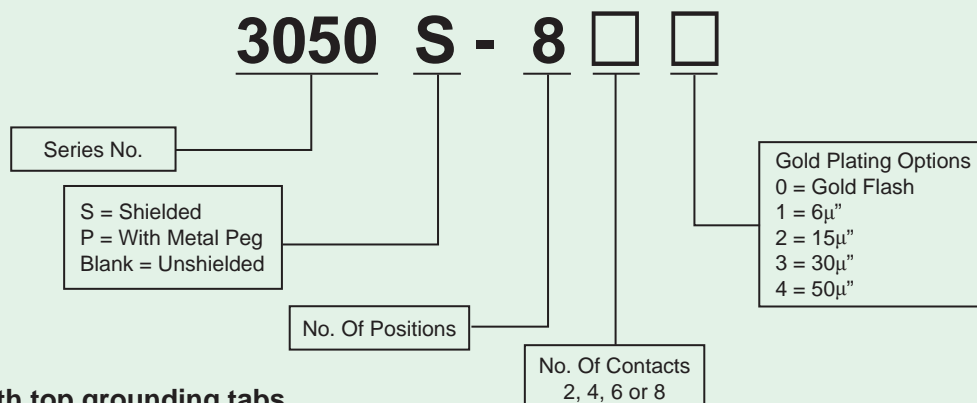


RECOMMENDED P.C.B LAYOUT  
TOP VIEW (COMPONENT SIDE)

## Materials

- **Shield** : Brass With Nickel Plated.
- **Metal Peg** : Brass With Tin Plated.
- **Housing** : High Tmep. Thermoplastic.  
Flammability Rating UL 94V-0.
- **Contacts** : Phosphor Bronze.
- **Plating** : Gold Plating Over Nickel In Contact.  
Tin Plating Over Nickel In Solder Area.

## Ordering Information



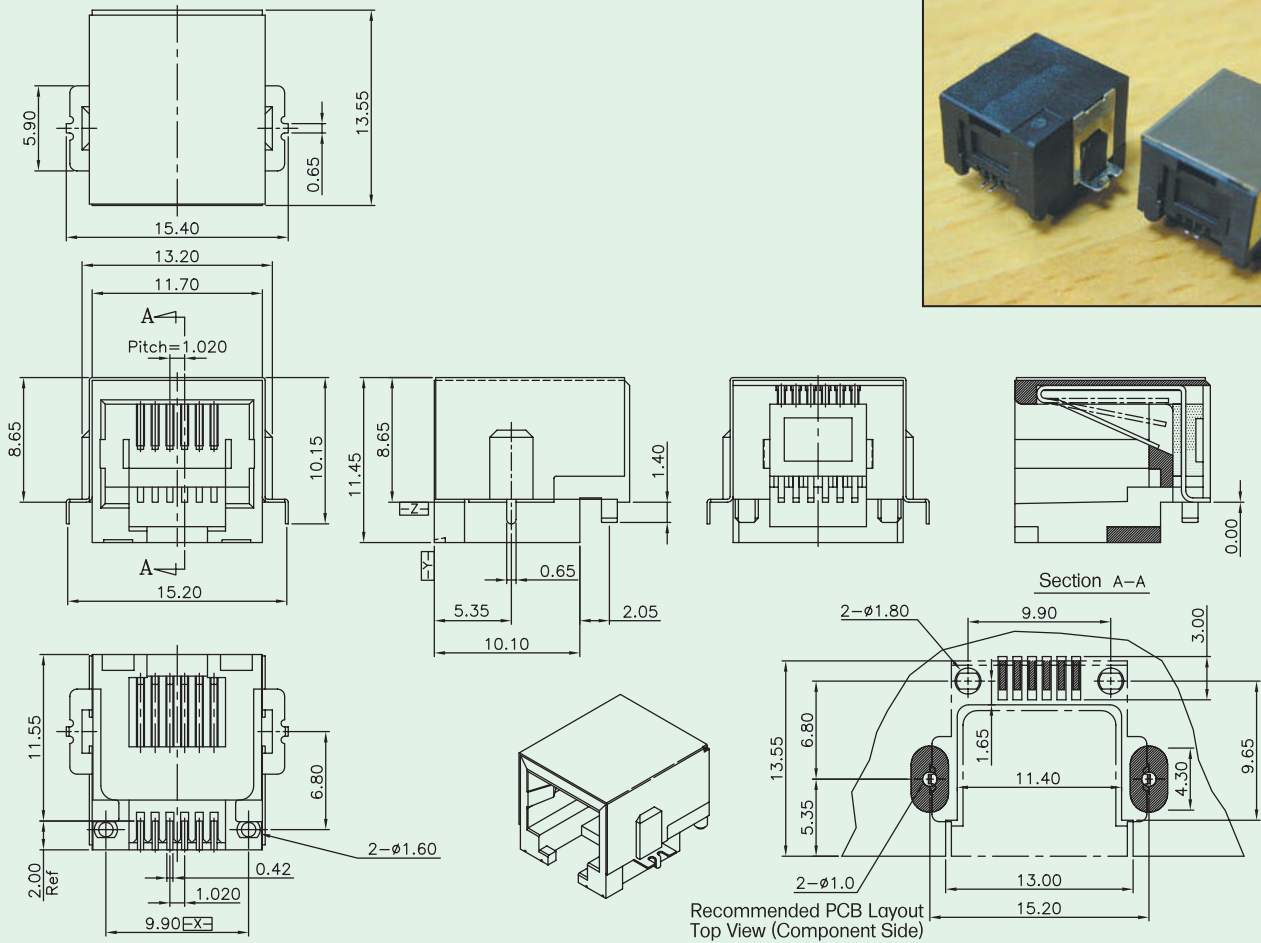
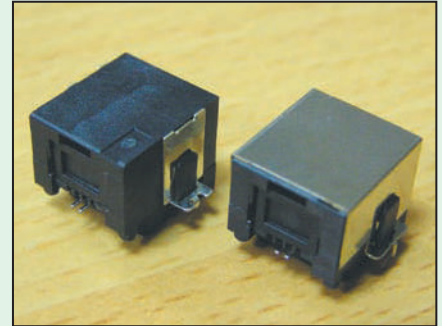
Option : 1.With top grounding tabs.  
2.Without panel stop.





# Embedded PCB Jack ( SMT Type )

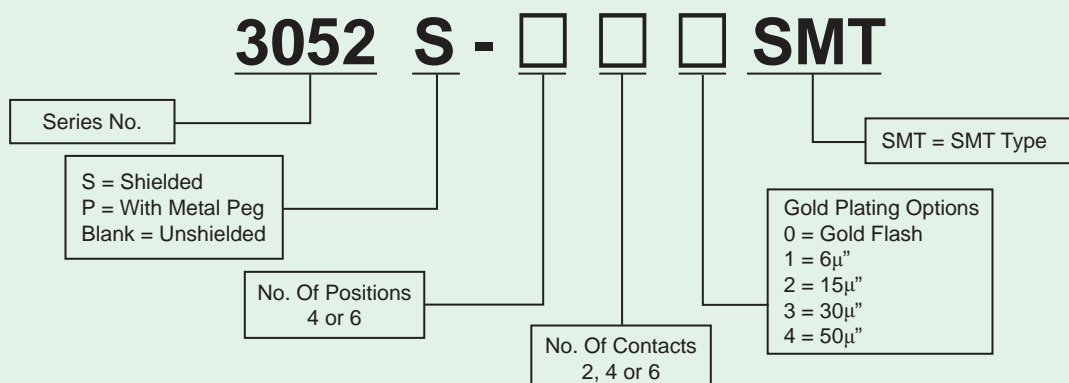
KINSUN



## Materials

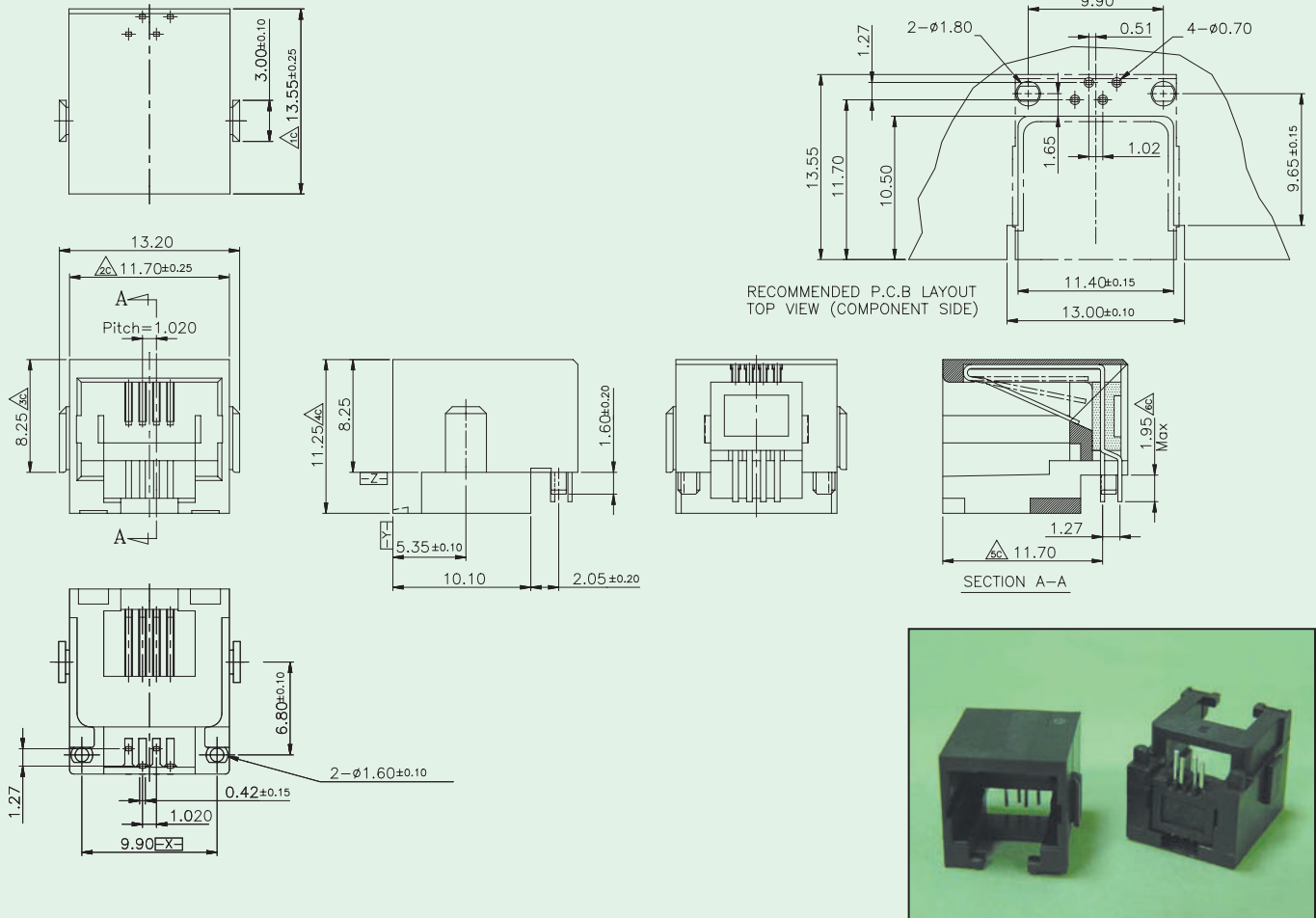
- **Shield** : Brass With Nickel Plated.
- **Metal Peg** : Brass With Tin Plated.
- **Housing** : High Tmep. Thermoplastic.  
Flammability Rating UL 94V-0.
- **Contacts** : Phosphor Bronze.
- **Plating** : Gold Plating Over Nickel In Contact Area.  
Tin Plating Over Nickel In Solder Area.

## Ordering Information





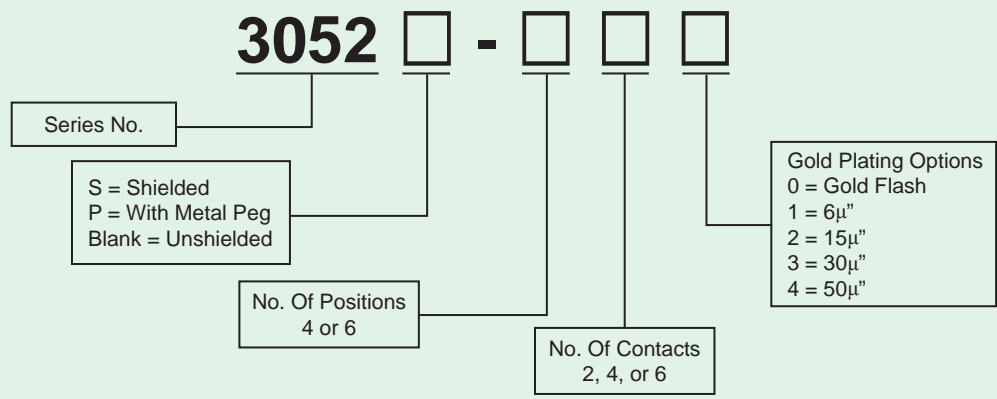
# Embedded PCB Jack (TH Type)



## Materials

- **Shield** : Brass With Nickel Plated.
- **Metal Peg** : Brass With Tin Plated.
- **Housing** : High Tmep. Thermoplastic.  
Flammability Rating UL 94V-0.
- **Contacts** : Phosphor Bronze.
- **Plating** : Gold Plating Over Nickel In Contact.  
Tin Plating Over Nickel In Solder Area.

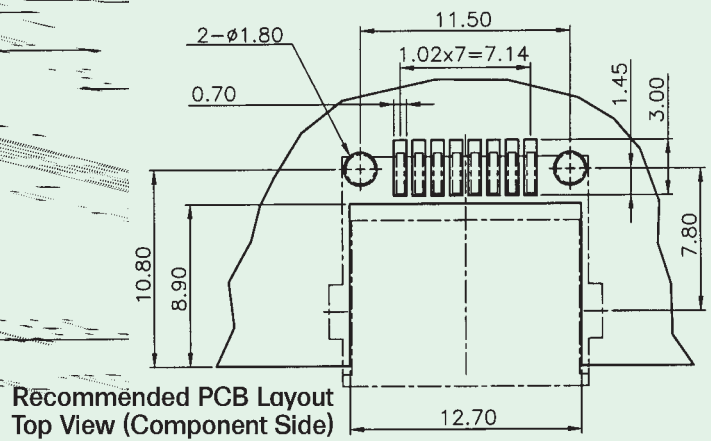
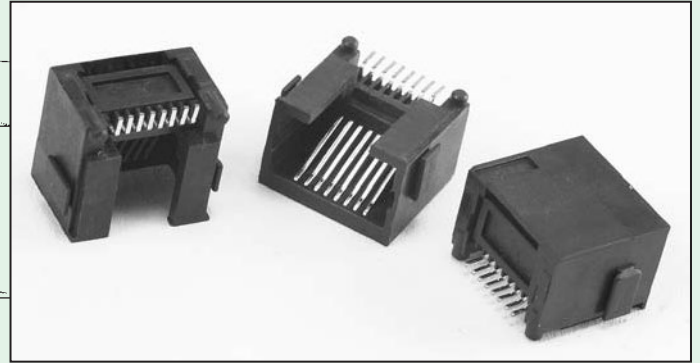
## Ordering Information





# Embedded PCB Jack ( Super Low Profile, Unshielded Type )

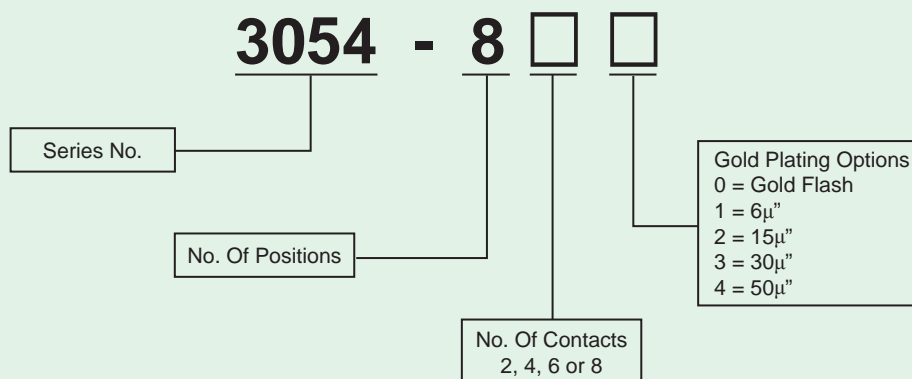
**KINSUN**



## Materials

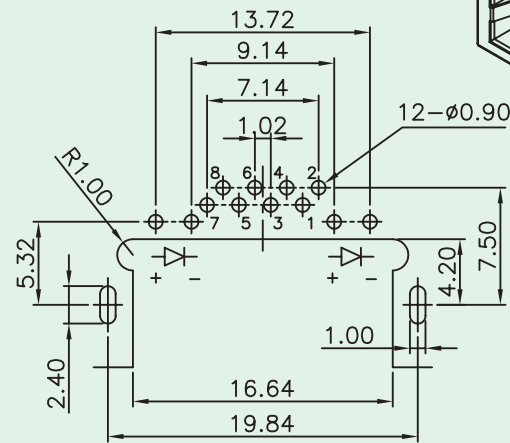
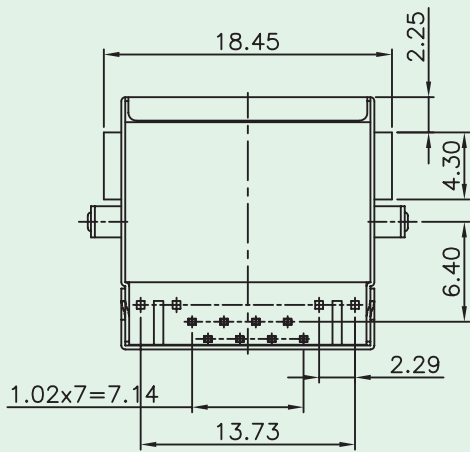
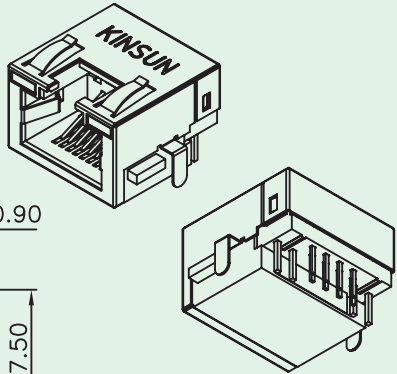
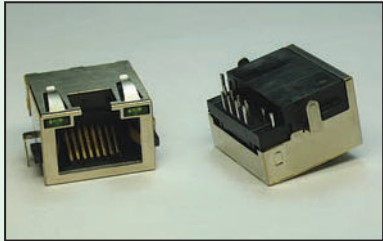
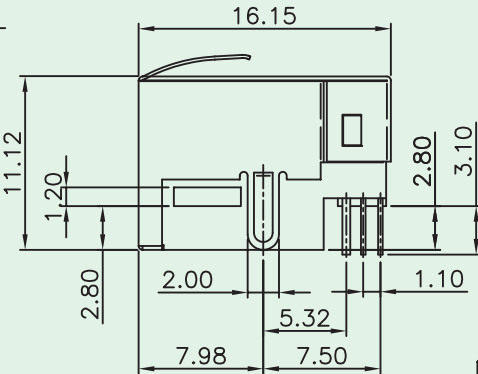
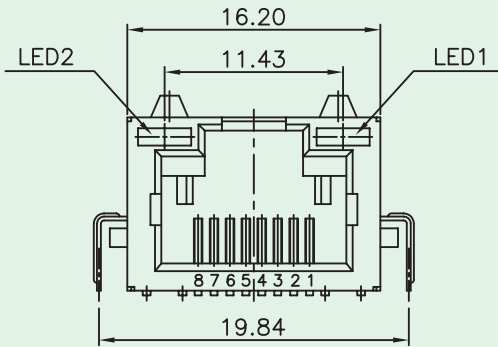
- **Housing** : High Tmep. Thermoplastic.  
Flammability Rating UL 94V-0.
- **Contacts** : Phosphor Bronze.
- **Plating** : Gold Plating Over Nickel In Contact Area.  
Tin Plating Over Nickel In Solder Area.

## Ordering Information





# Embedded PCB Jack Shielded With LED



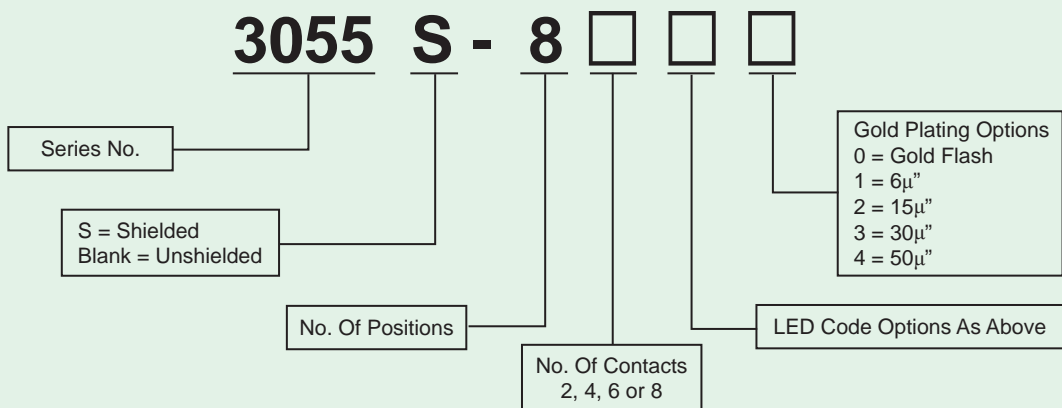
RECOMMENDED PCB LAYOUT (TOP VIEW)

CODE	LED1	LED2
0	NO LED	NO LED
1	YELLOW	GREEN
2	GREEN	YELLOW
3	GREEN	GREEN
4	YELLOW	YELLOW

## Materials

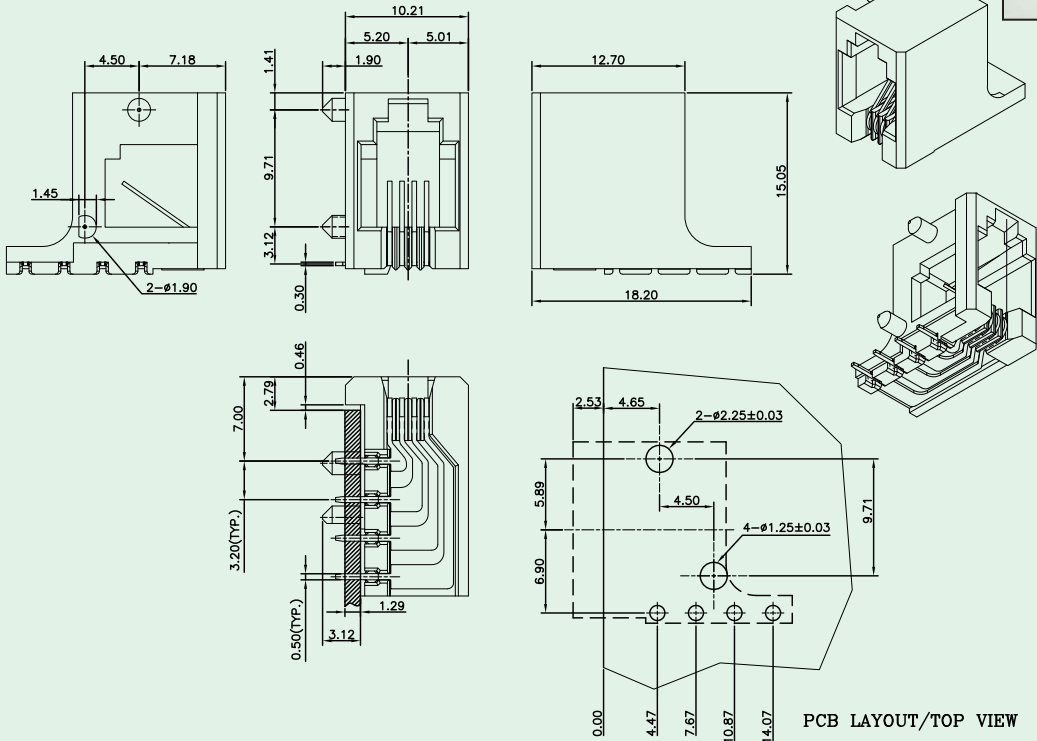
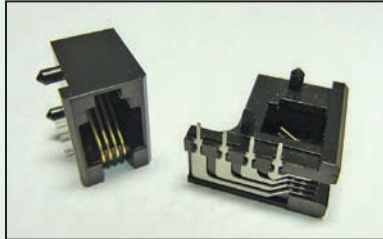
- **Shield** : Brass With Nickel Plated.
- **Housing** : High Tmp. Thermoplastic.  
Flammability Rating UL 94V-0.
- **Contacts** : Phosphor Bronze.
- **Plating** : Gold Plating Over Nickel In Contact.  
Tin Plating Over Nickel In Solder Area.

## Ordering Information





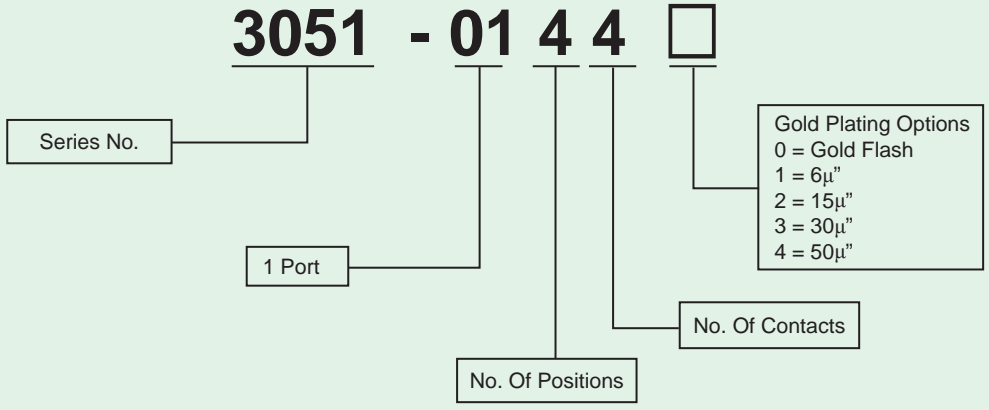
# Nortel Jack 4P4C



## Materials

- **Plastic Housing** : Engineering Thermoplastic.  
Flammability Rating UL 94V-0.
- **Contacts** : Phosphor Bronze.
- **Plating** : Gold Plating Over Nickel In Contact.  
Matted Tin Plating Over Nickel In Solder Area.

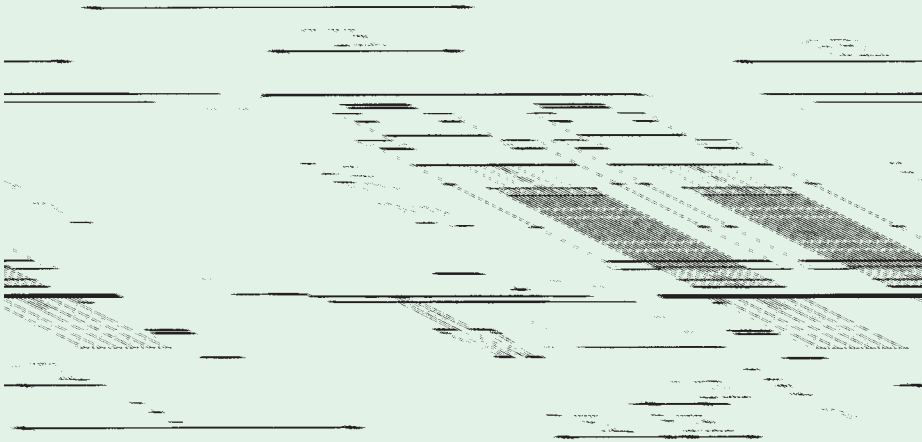
## Ordering Information



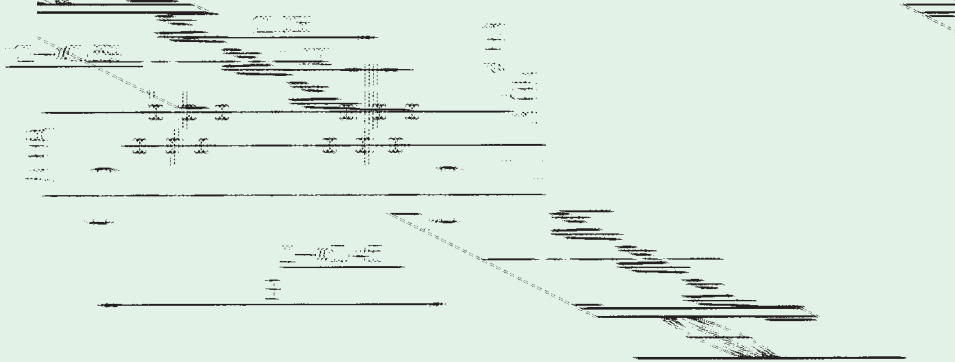


# Side Entry PCB Jack ( Dual-Port, Up Latch, Unshielded )

**KINSUN**



PCB Layout / Top View

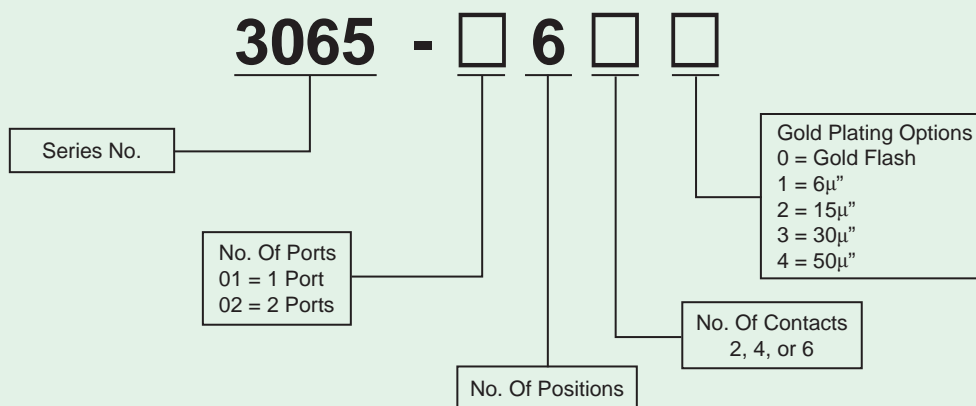


Part No.	No. of Ports	A	B
3065-01	1	12.06	9.52
3065-02	2	24.12	21.60

## Materials

- **Housing** : Engineering Thermoplastic.  
Flammability Rating UL 94V-0.
- **Contacts** : Phosphor Bronze.
- **Plating** : Gold Plating Over Nickel In Contact Area.  
Tin Plating Over Nickel In Solder Area.

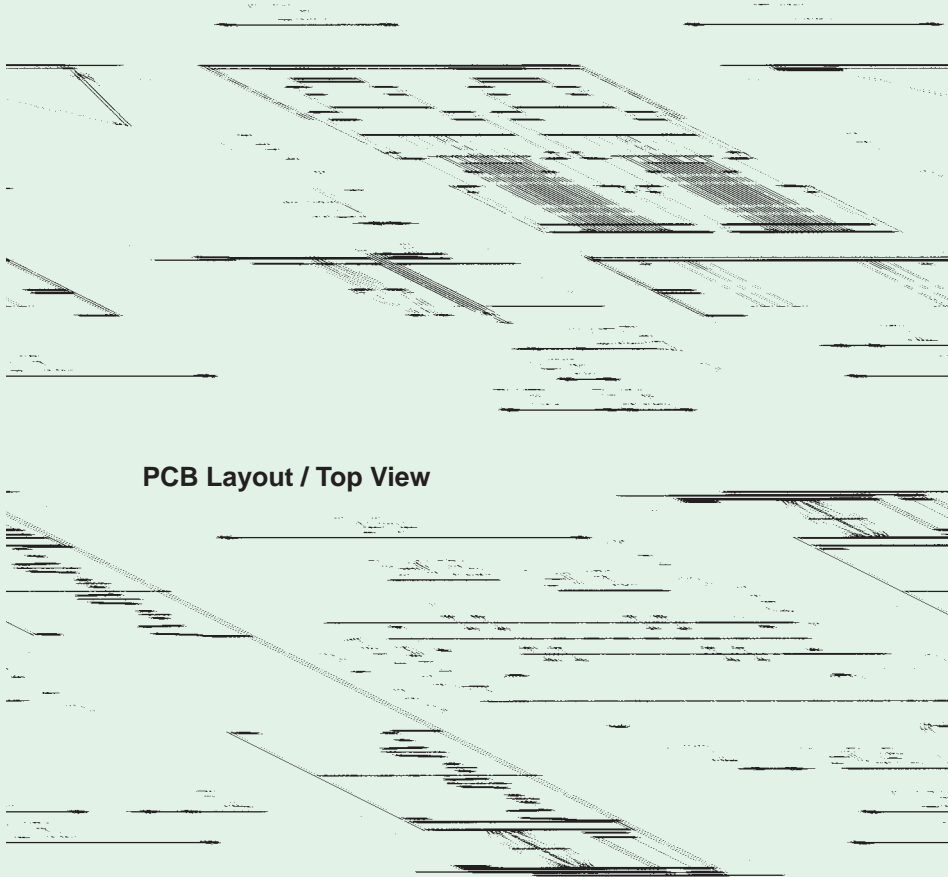
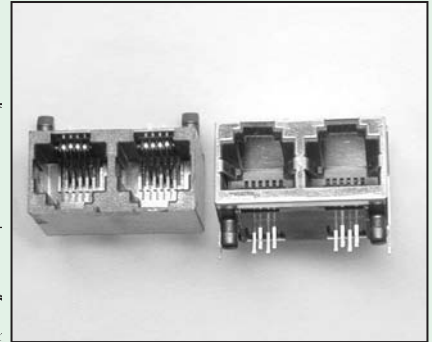
## Ordering Information





# Side Entry PCB Jack ( Dual-Port, Up Latch, Shielded )

**KINSUN**

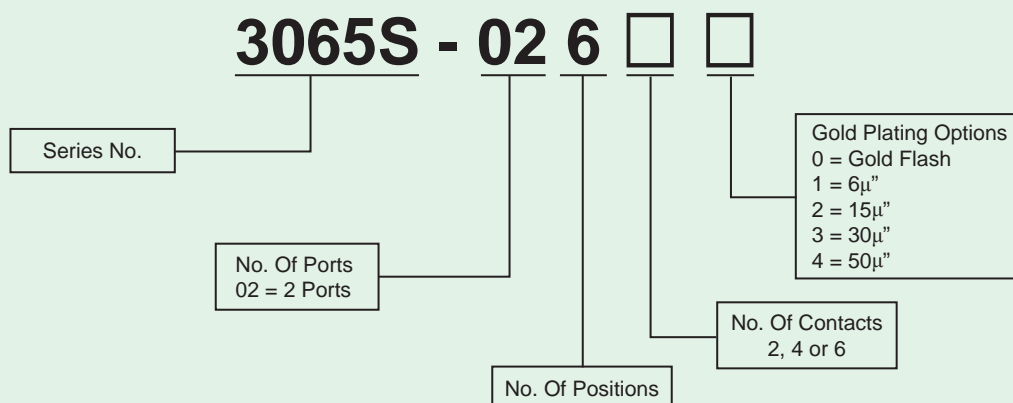


PCB Layout / Top View

## Materials

- **Shield** : Brass With Nickel Plated.
- **Housing** : Engineering Thermoplastic.  
Flammability Rating UL 94V-0.
- **Contacts** : Phosphor Bronze.
- **Plating** : Gold Plating Over Nickel In Contact Area.  
Tin Plating Over Nickel In Solder Area.

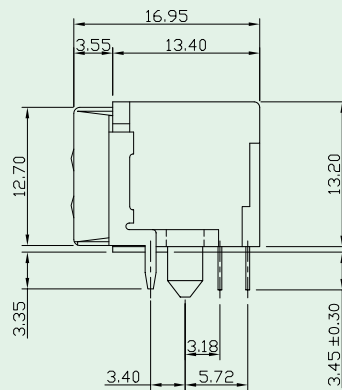
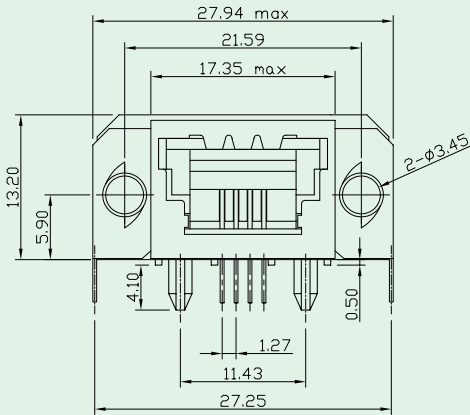
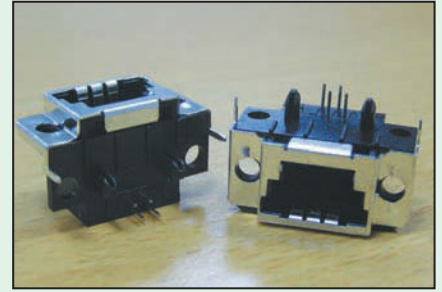
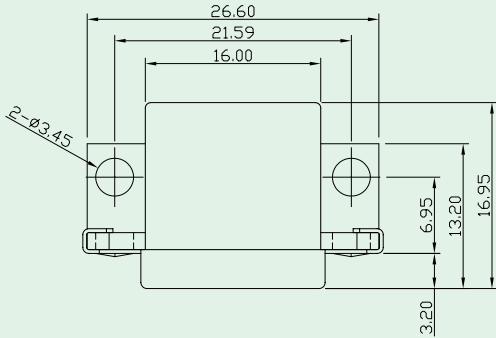
## Ordering Information



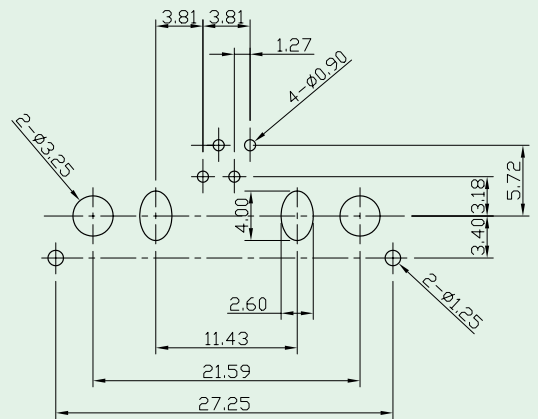


# Side Entry PCB Jack (Data Link, Shielded Type)

**KINSUN**



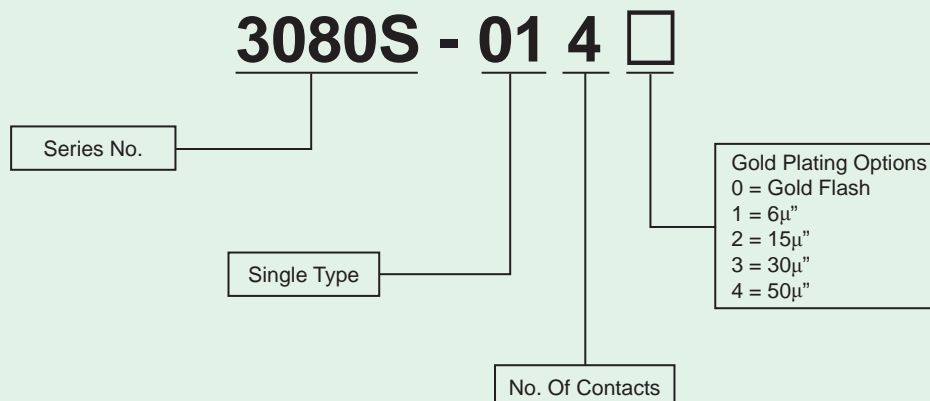
**PCB Layout / Top View**



## Materials

- **Shield** : Brass With Tin Plated.
- **Housing** : Engineering Thermoplastic.  
Flammability Rating UL 94V-0.
- **Contacts** : Phosphor Bronze.
- **Plating** : Gold Plating Over Nickel In Contact Area.  
Tin Plating Over Nickel In Solder Area.

## Ordering Information

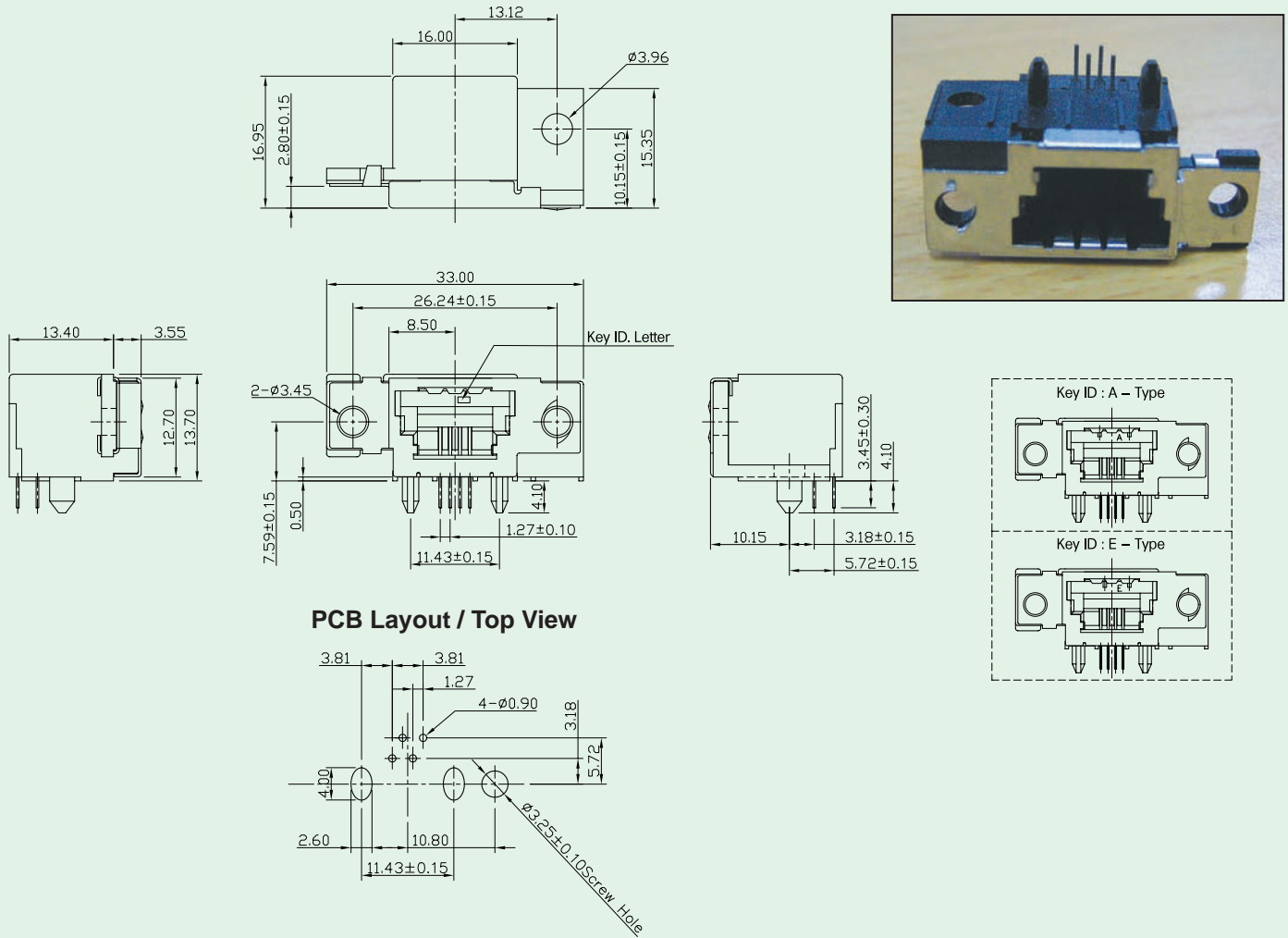






# Side Entry PCB Jack (Data Link, Shielded Type)

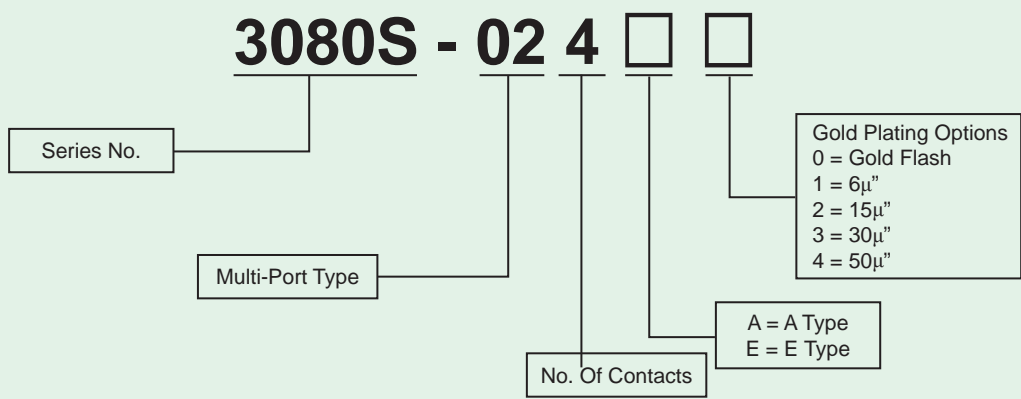
**KINSUN**



## Materials

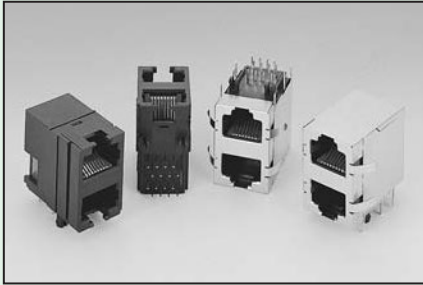
- **Shield** : Brass With Tin Plated.
- **Housing** : Engineering Thermoplastic.  
Flammability Rating UL 94V-0.
- **Contacts** : Phosphor Bronze.
- **Plating** : Gold Plating Over Nickel In Contact Area.  
Tin Plating Over Nickel In Solder Area.

## Ordering Information

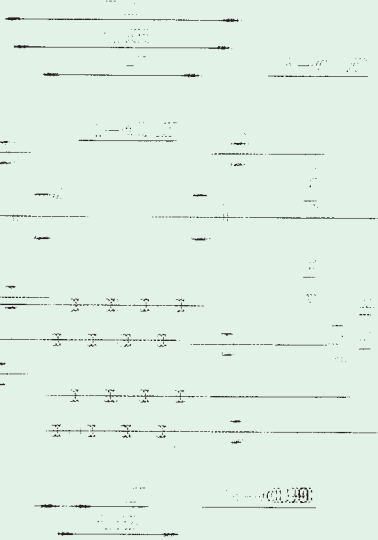




# Double Level PCB Jack



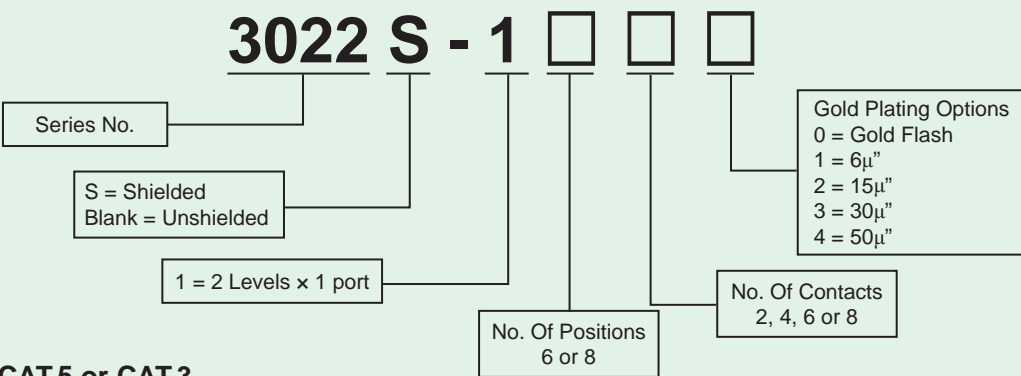
PCB Layout / Top View



## Materials

- **Shield** : Stainless Steel.
- **Housing** : Engineering Thermoplastic.  
Flammability Rating UL 94V-0.
- **Contacts** : Phosphor Bronze.
- **Plating** : Gold Plating Over Nickel In Contact Area.  
Tin Plating Over Nickel In Solder Area.

## Ordering Information

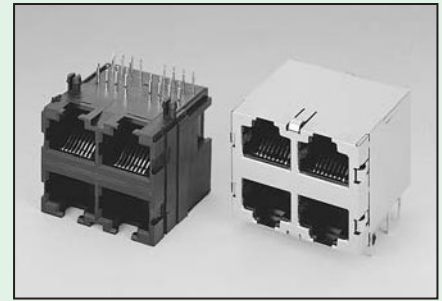
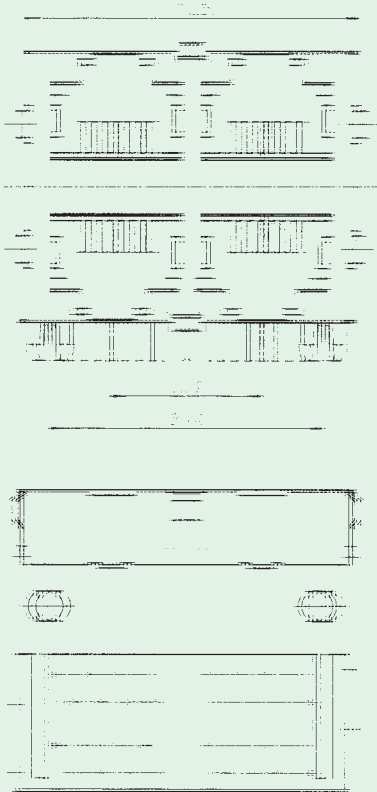


Options : (1) CAT.5 or CAT.3.  
(2) With or Without Different Grounding Tabs.

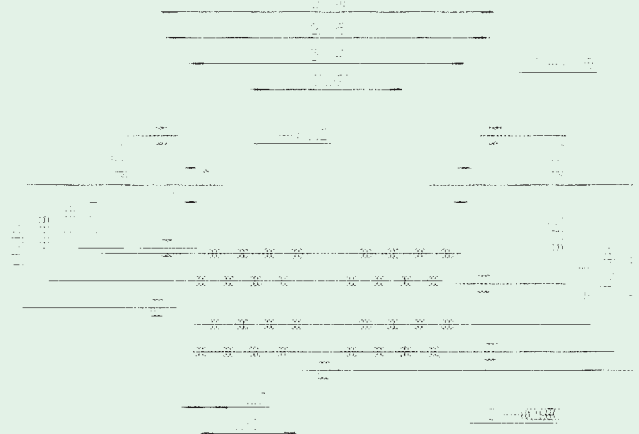


# Double Level PCB Jack

**KINSUN**



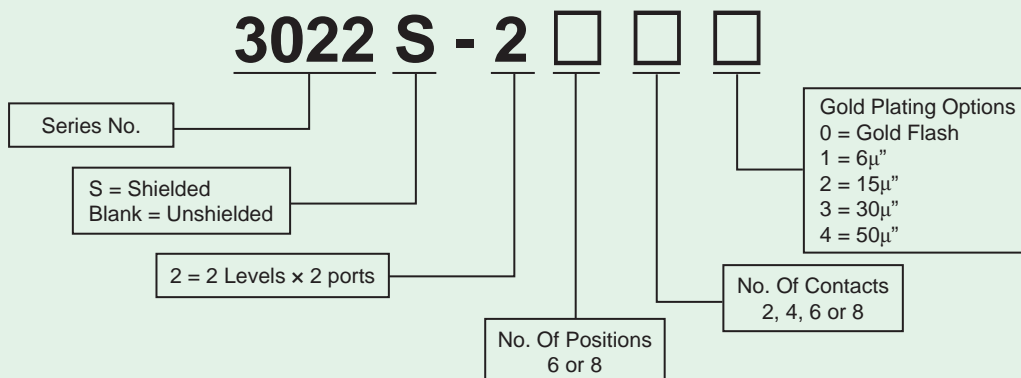
PCB Layout / Top View



## Materials

- **Shield** : Stainless Steel.
- **Housing** : Engineering Thermoplastic.  
Flammability Rating UL 94V-0.
- **Contacts** : Phosphor Bronze.
- **Plating** : Gold Plating Over Nickel In Contact Area.  
Tin Plating Over Nickel In Solder Area.

## Ordering Information

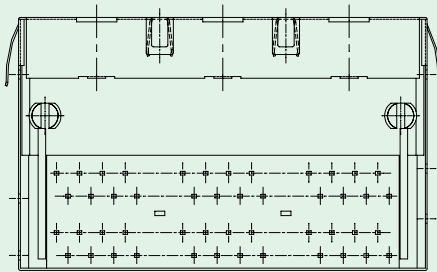
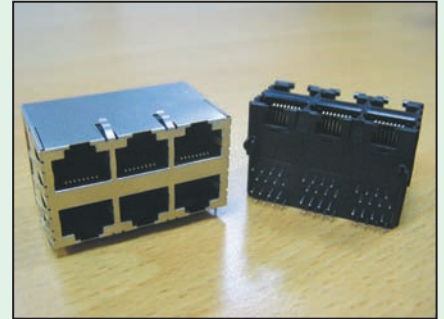
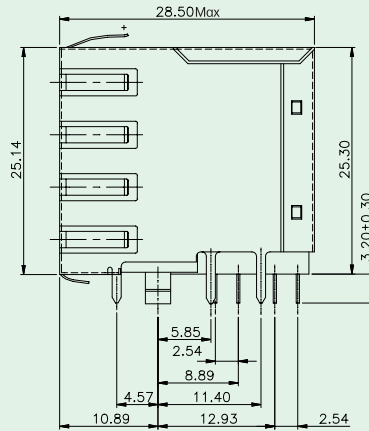
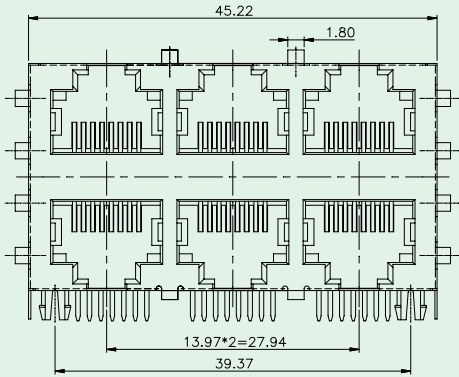


- Options : (1) CAT.5 or CAT.3.  
(2) With or Without Different Grounding Tabs.

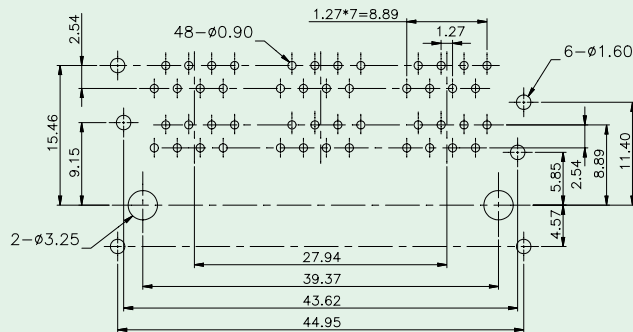


# Double Level PCB Jack

**KINSUN**



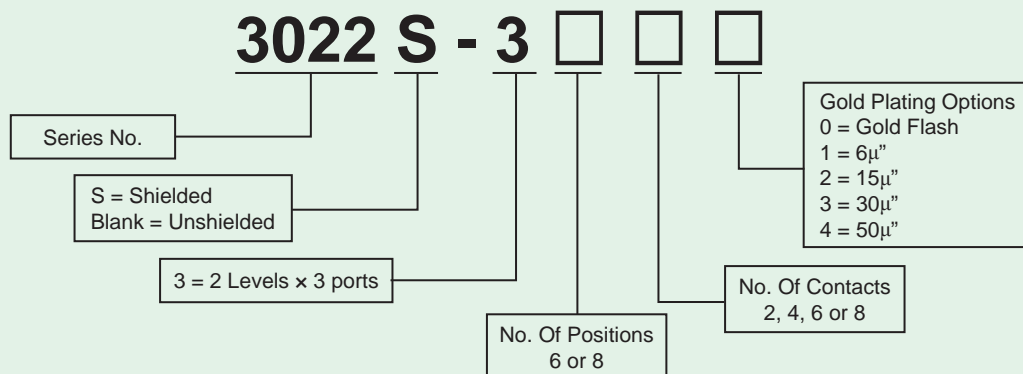
## PCB Layout / Top View



## Materials

- **Shield** : Brass With Nickel Plated.
- **Housing** : Engineering Thermoplastic.  
Flammability Rating UL 94V-0.
- **Contacts** : Phosphor Bronze.
- **Plating** : Gold Plating Over Nickel In Contact Area.  
Tin Plating Over Nickel In Solder Area.

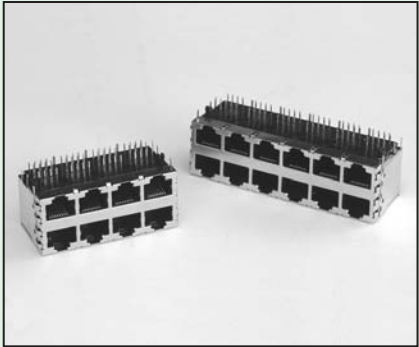
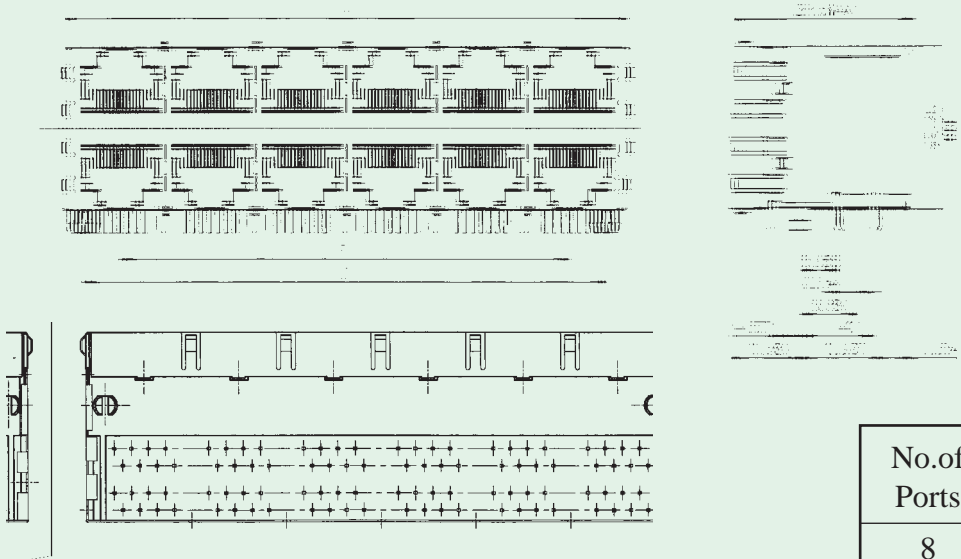
## Ordering Information



Options : (1) CAT.5 or CAT.3.  
(2) With or Without Different Grounding Tabs.



# Double Level PCB Jack



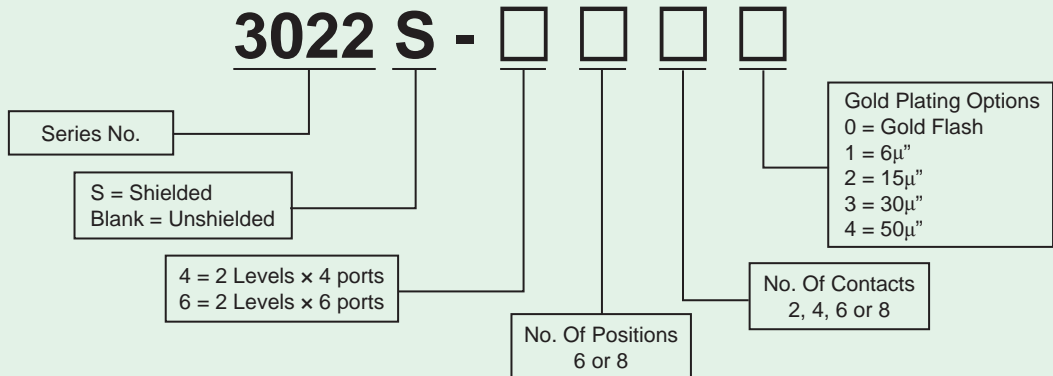
PCB Layout / Top View

No. of Ports	Dimensions				
	A	B	C	D	E
8	59.19	58.92	57.59	53.34	41.91
12	87.13	86.86	85.53	81.28	69.85

## Materials

- **Shield** : Brass With Nickel Plated or Stainless Steel.
- **Housing** : Engineering Thermoplastic.  
Flammability Rating UL 94V-0.
- **Contacts** : Phosphor Bronze.
- **Plating** : Gold Plating Over Nickel In Contact Area.  
Tin Plating Over Nickel In Solder Area.

## Ordering Information

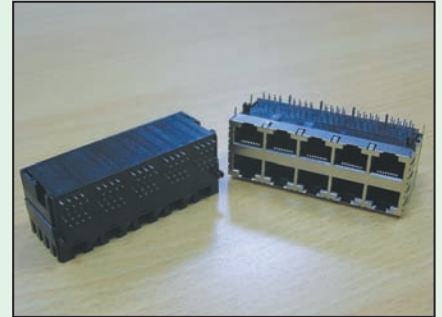
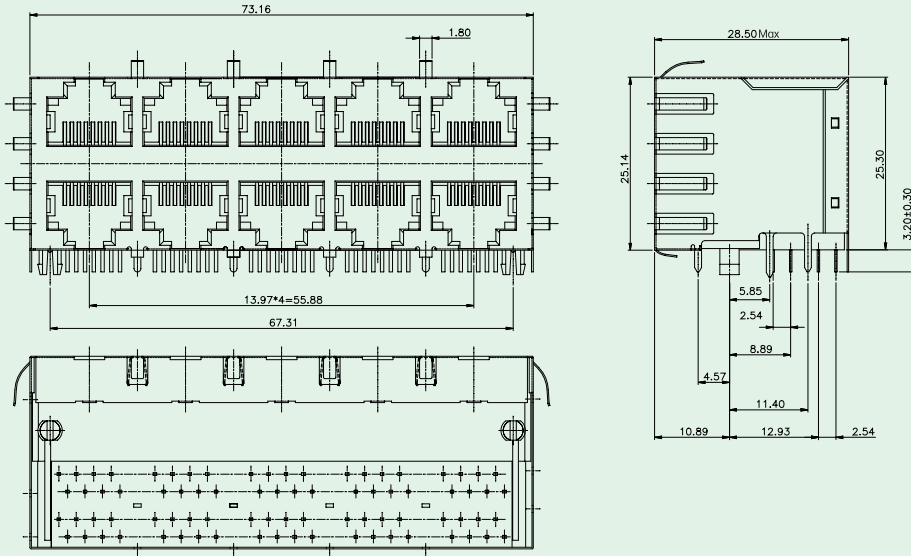


Options : (1) CAT.5 or CAT.3.  
(2) With or Without Different Grounding Tabs.

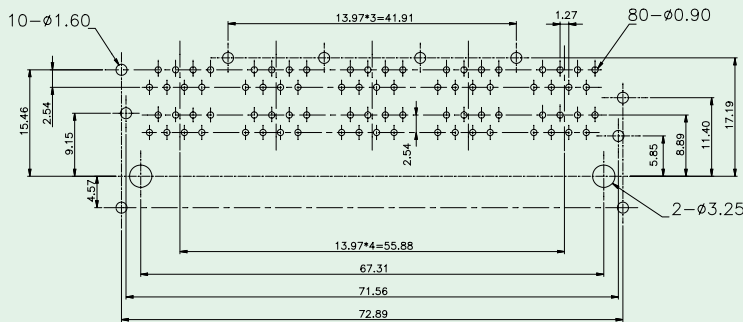


# Double Level PCB Jack

**KINSUN**



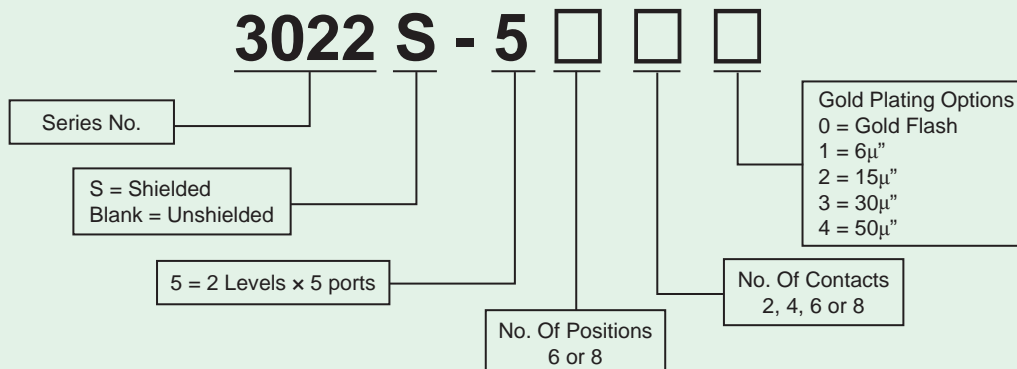
PCB Layout / Top View



## Materials

- **Shield** : Brass With Nickel Plated.
- **Housing** : Engineering Thermoplastic.  
Flammability Rating UL 94V-0.
- **Contacts** : Phosphor Bronze.
- **Plating** : Gold Plating Over Nickel In Contact Area.  
Tin Plating Over Nickel In Solder Area.

## Ordering Information

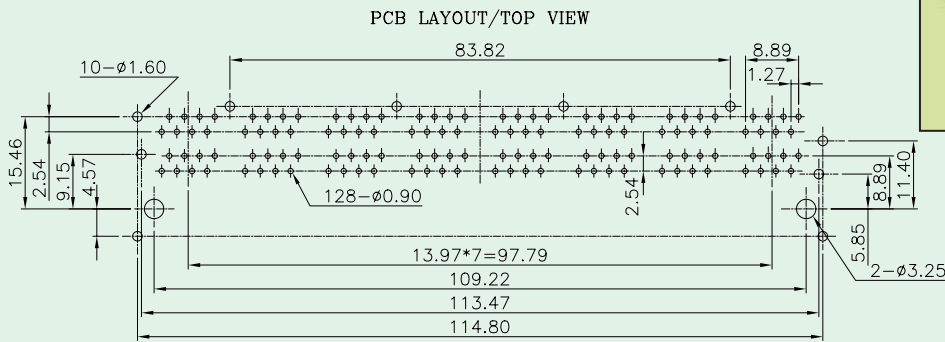
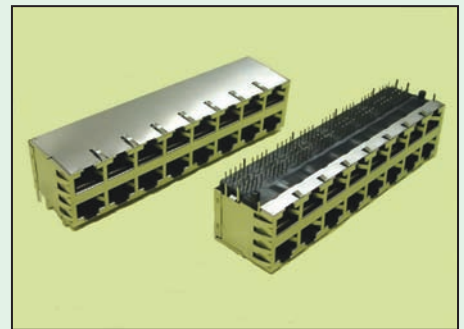
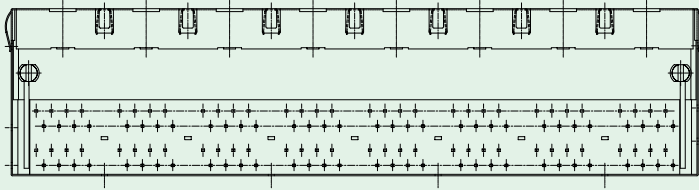
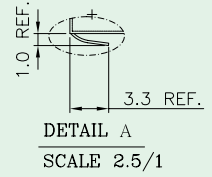
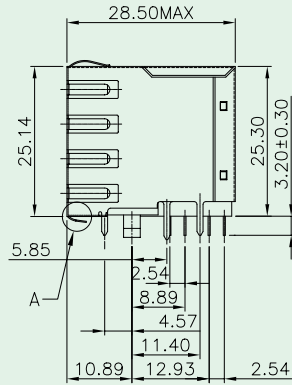
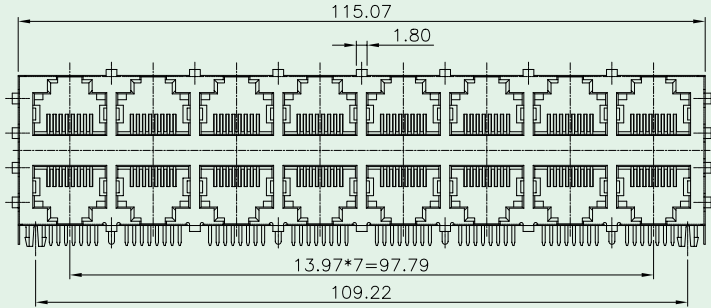


Options : (1) CAT.5 or CAT.3.  
(2) With or Without Different Grounding Tabs.



# Double Level PCB Jack

**KINSUN**

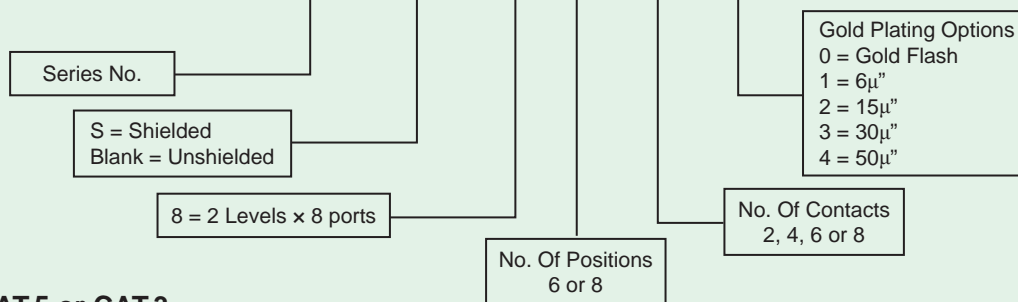


## Materials

- **Shield** : Brass With Nickel Plated.
- **Housing** : Engineering Thermoplastic.  
Flammability Rating UL 94V-0.
- **Contacts** : Phosphor Bronze.
- **Plating** : Gold Plating Over Nickel In Contact Area.  
Tin Plating Over Nickel In Solder Area.

## Ordering Information

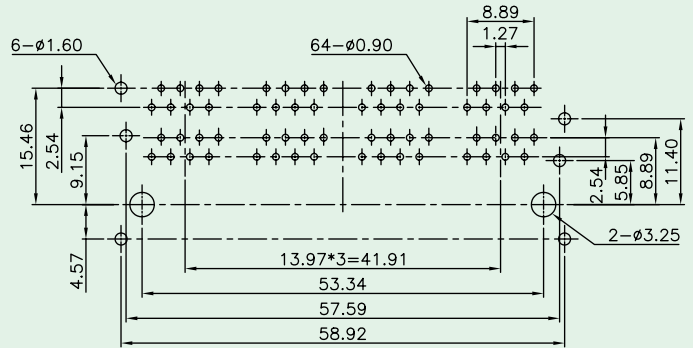
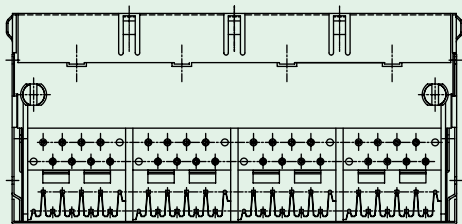
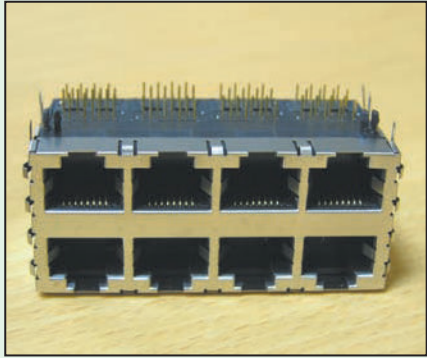
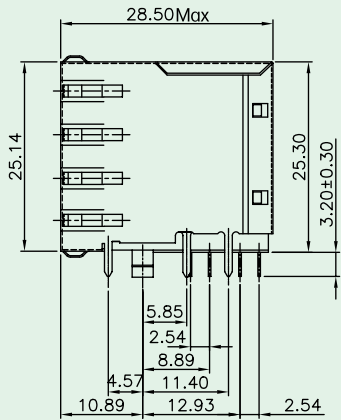
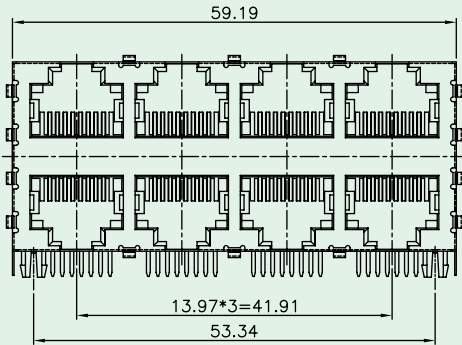
**3022 S - 8**



Options : (1) CAT.5 or CAT.3.  
(2) With or Without Different Grounding Tabs.



# Double Level PCB Jack ( Round Pin )

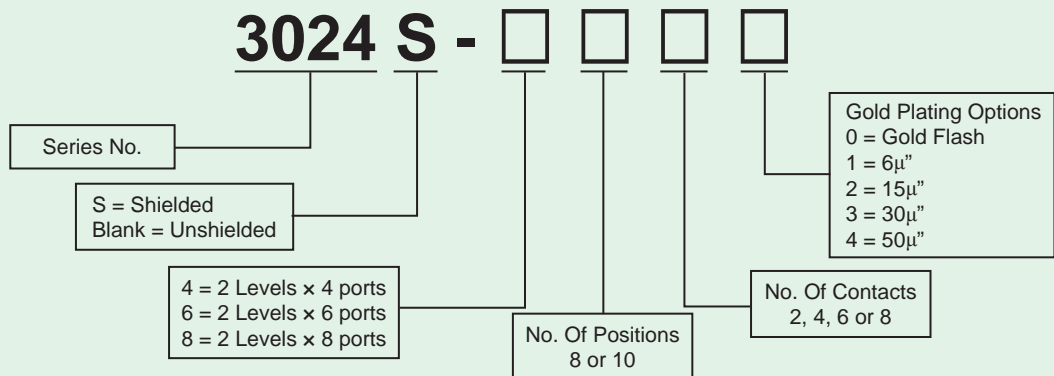


PCB Layout / Top View

## Materials

- **Shield** : Brass With Nickel Plated.
- **Housing** : Engineering Thermoplastic.  
Flammability Rating UL 94V-0.
- **Contacts** : 0.46mm Diameter Phosphor Bronze.
- **Plating** : Gold Plating Over Nickel.

## Ordering Information



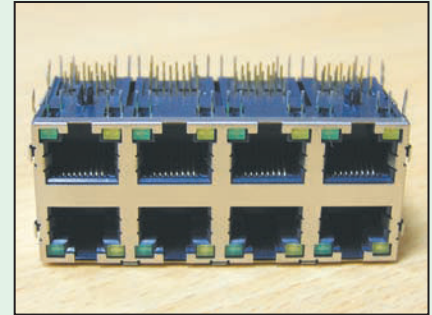
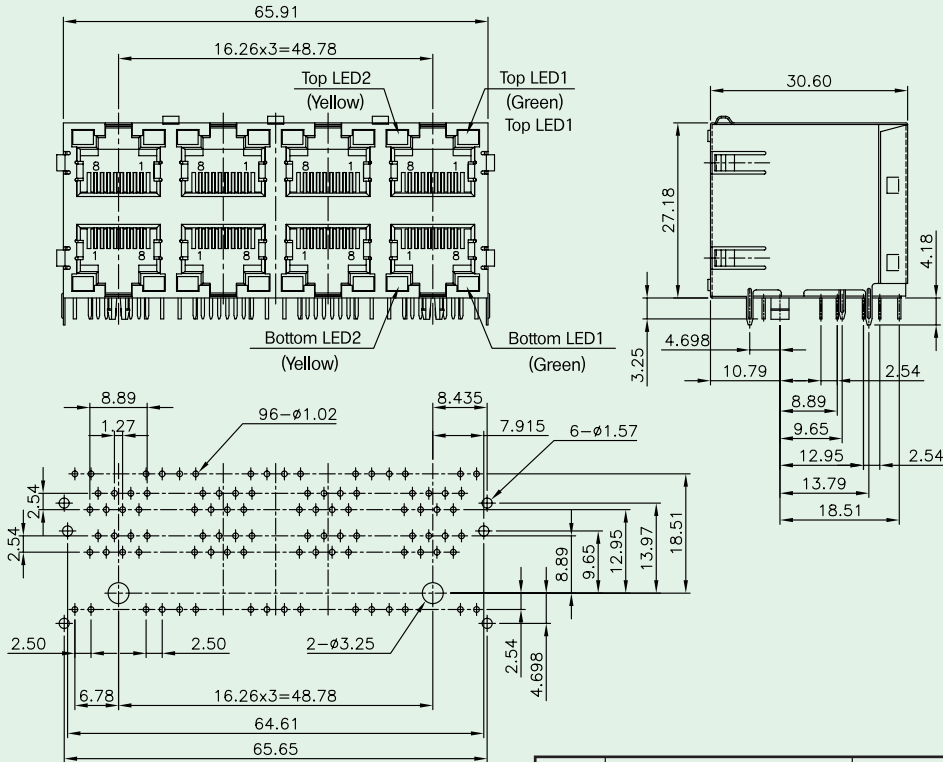
Note : Only unshielded is available for 2x6 & 2x8.



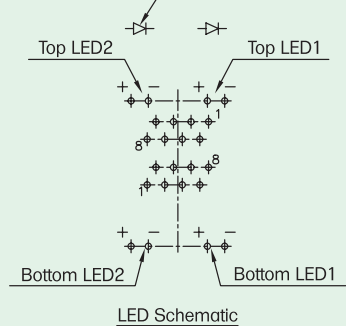


# Double Level PCB Jack (Round Pin, With LED Type)

**KINSUN**



Typical For Single Color LED (Red, Green, Yellow)



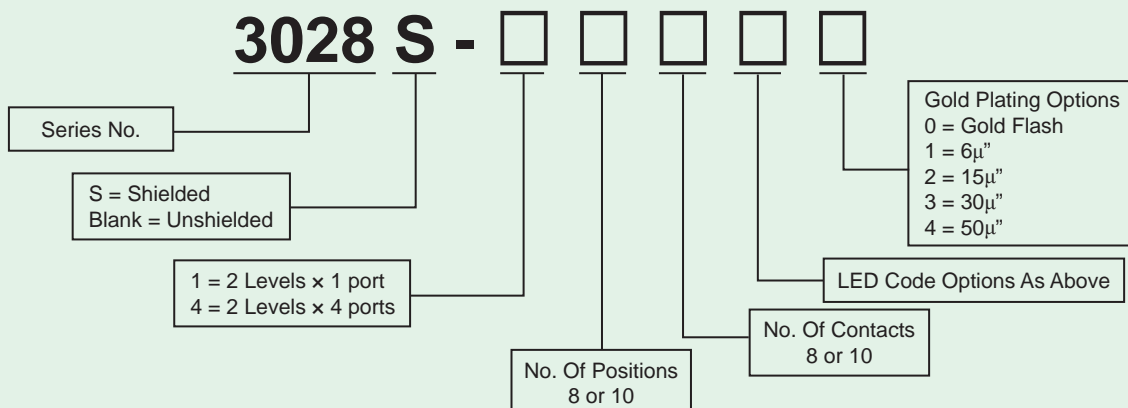
PCB Layout / Top View

Code	Top		Bottom	
	LED1(R)	LED2(L)	LED1(R)	LED2(L)
1	Yellow	Green	Yellow	Green
2	Green	Yellow	Green	Yellow
3	Green	Green	Green	Green
4	Red	Green	Red	Green

## Materials

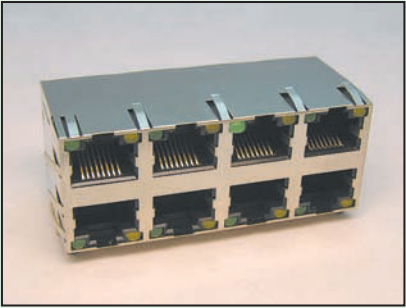
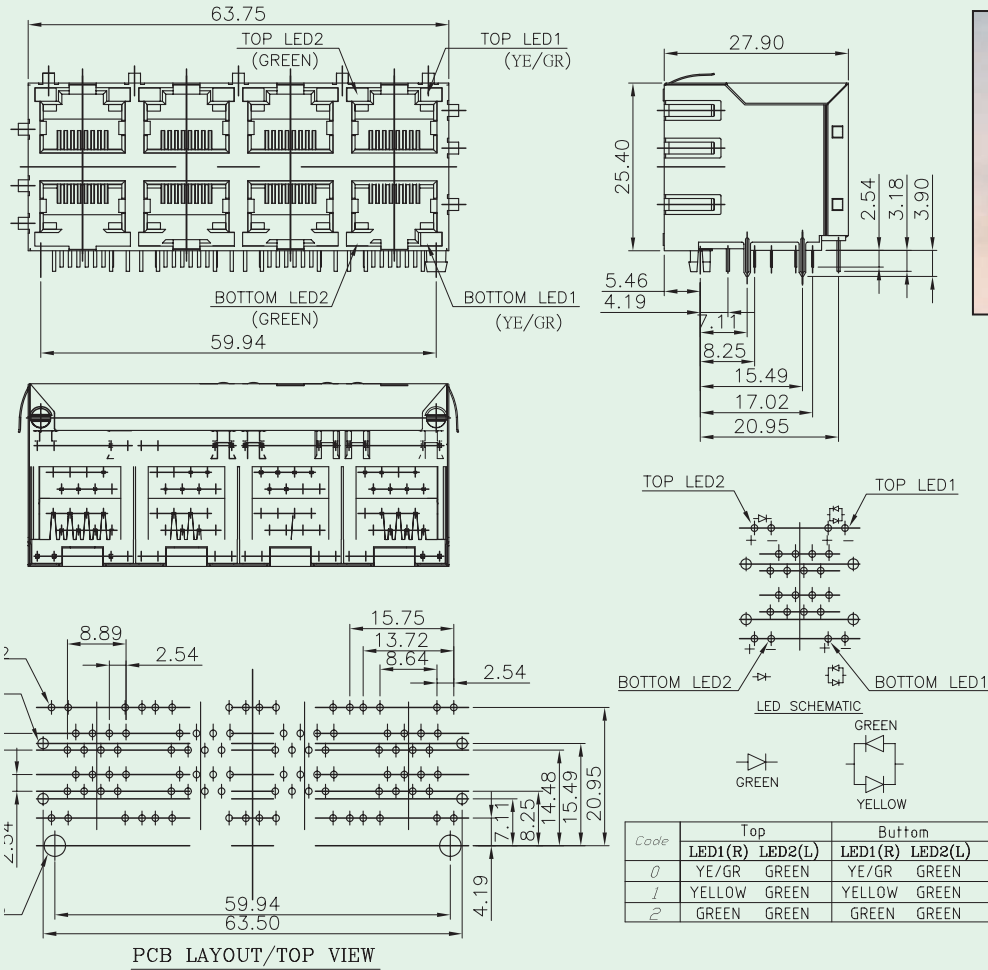
- **Shield** : Brass With Nickel Plated.
- **Housing** : Engineering Thermoplastic.  
Flammability Rating UL 94V-0.
- **Contacts** : 0.46mm Diameter Phosphor Bronze.
- **Plating** : Gold Plating Over Nickel.

## Ordering Information





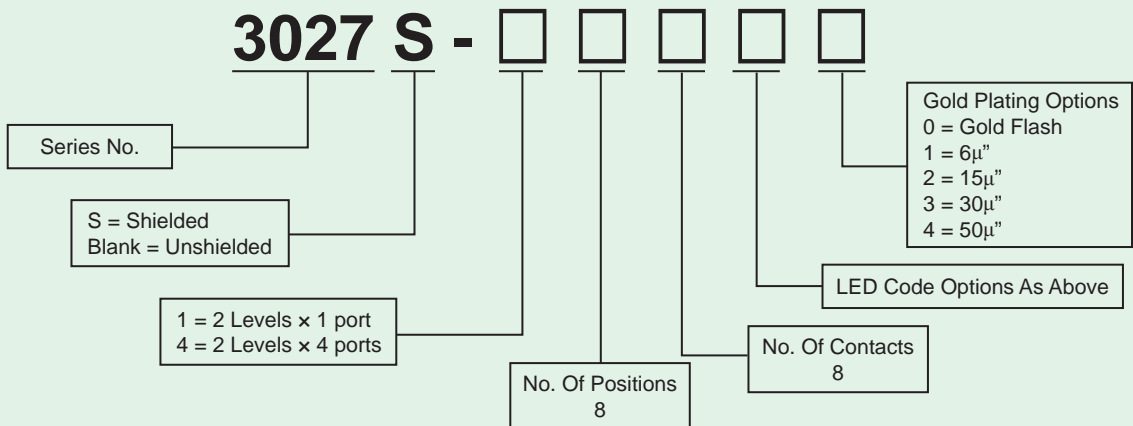
# Double Level PCB Jack ( With LED Type )



## Materials

- **Shield** : Brass With Nickel Plated.
- **Housing** : Engineering Thermoplastic.  
Flammability Rating UL 94V-0.
- **Contacts** : Phosphor Bronze.
- **Plating** : Gold Plating Over Nickel In Contact Area.  
Tin Plating Over Nickel In Solder Area.

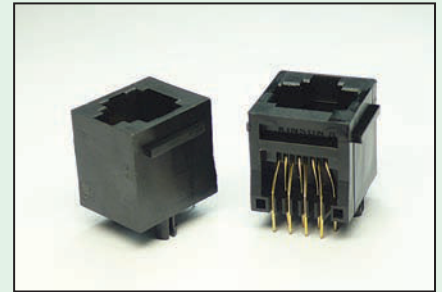
## Ordering Information



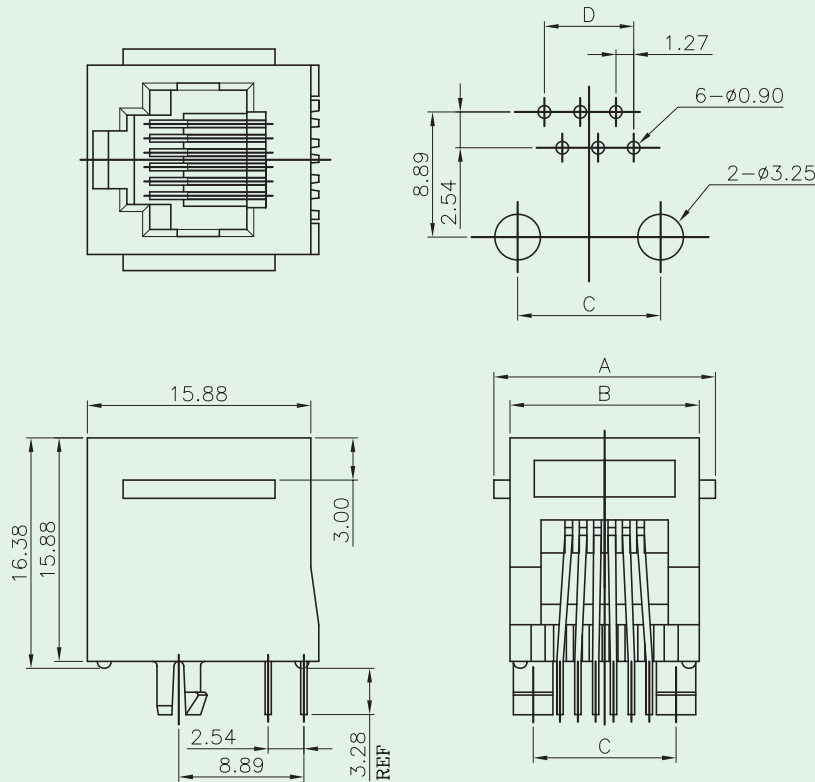


# Top Entry PCB Jack

**KINSUN**



PCB LAYOUT/TOP VIEW

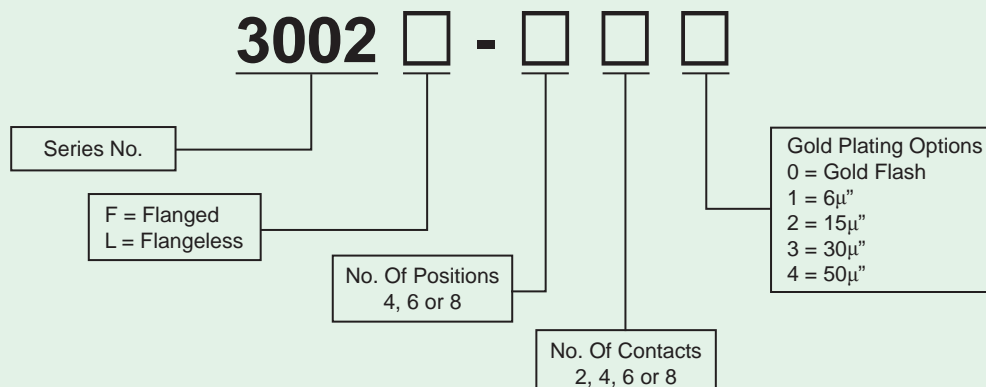


No.of Positions	Dimensions			
	A	B	C	D
4	13.97	11.43	7.62	3.81
6	15.75	13.46	10.16	6.35
8	17.65	15.36	11.43	8.89

## Materials

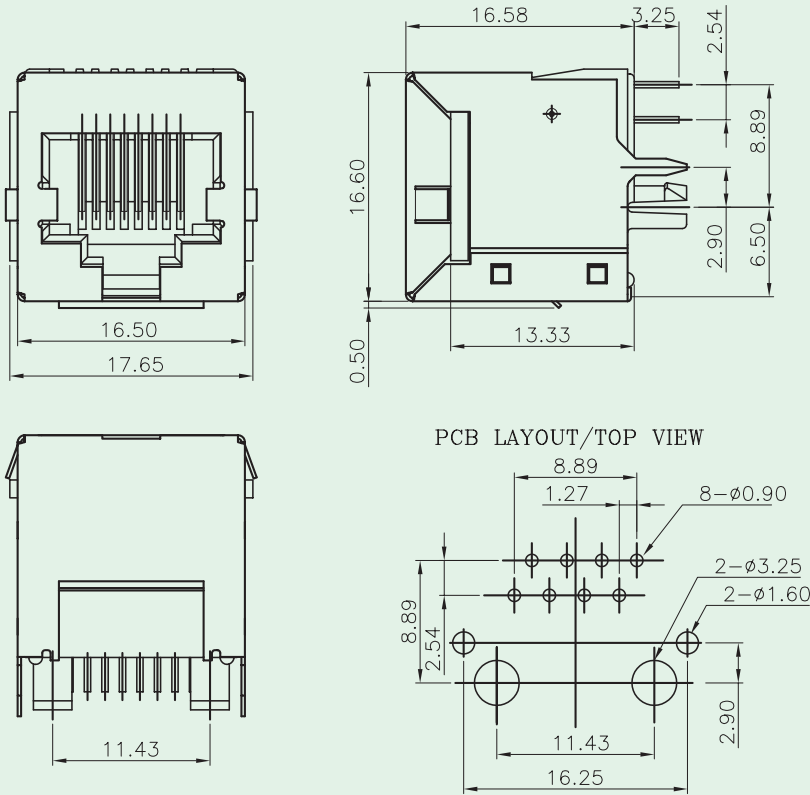
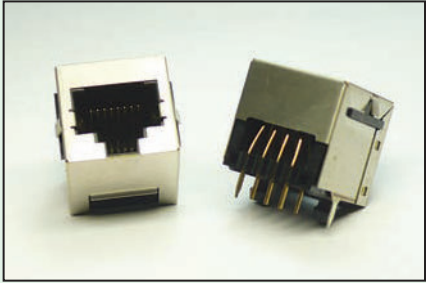
- **Housing** : Engineering Thermoplastic.  
Flammability Rating UL 94V-0.
- **Contacts** : 0.46mm Diameter Phosphor Bronze.
- **Plating** : Gold Plating Over Nickel.

## Ordering Information





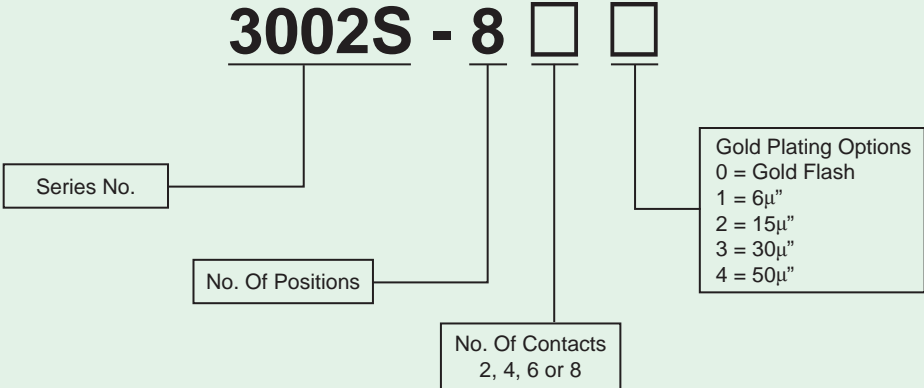
# Top Entry PCB Jack (RJ45, Shielded Type)



## Materials

- **Shield** : Brass With Nickel Plated.
- **Housing** : Engineering Thermoplastic.  
Flammability Rating UL 94V-0.
- **Contacts** : 0.46mm Diameter Phosphor Bronze.
- **Plating** : Gold Plating Over Nickel.

## Ordering Information

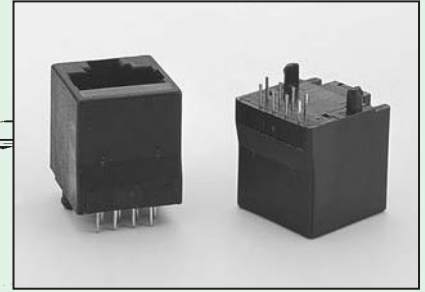




# Top Entry PCB Jack (CAT.5, Unshielded Type)

**KINSUN**

PCB Layout / Top View

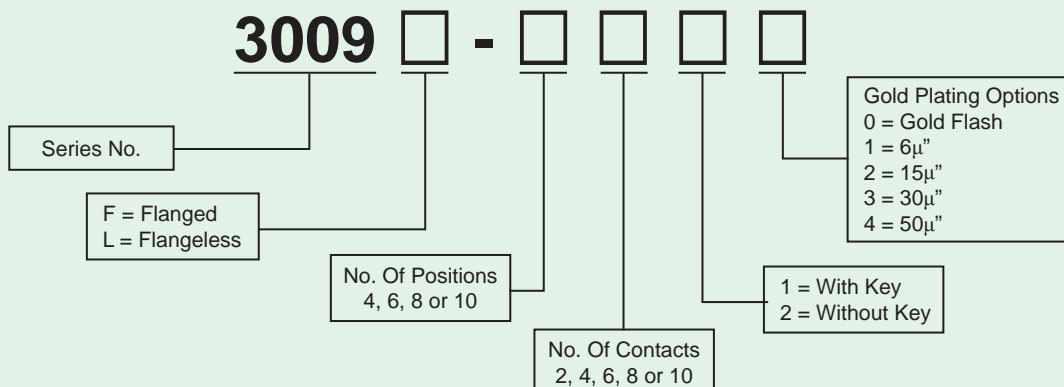


No.of Positions	Dimensions		
	A	B	C
4	13.97	11.43	7.62
6	16.00	13.46	10.16
8/10	17.50	15.26	11.43

## Materials

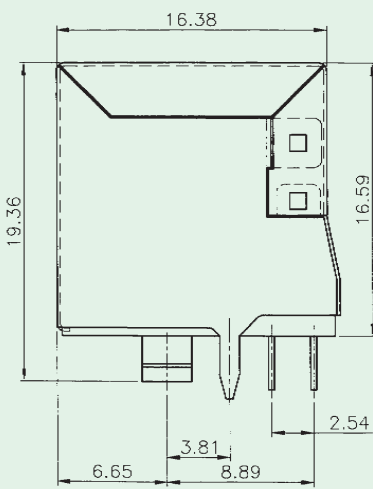
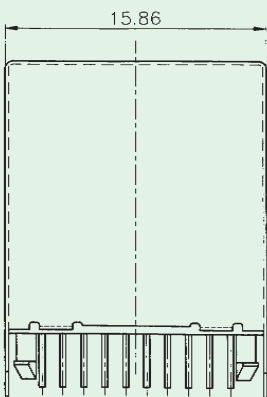
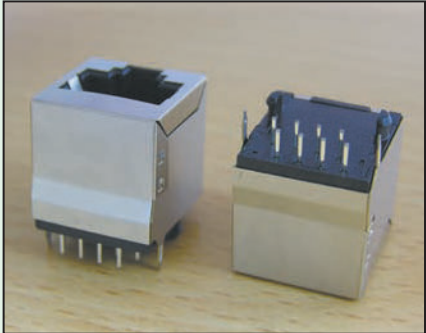
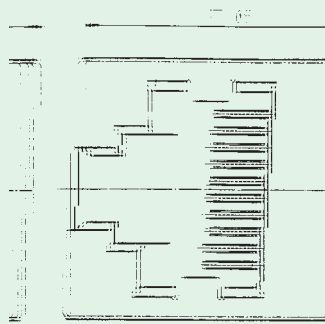
- **Housing** : Engineering Thermoplastic.  
Flammability Rating UL 94V-0.
- **Contacts** : Phosphor Bronze.
- **Plating** : Gold Plating Over Nickel In Contact Area.  
Tin Plating Over Nickel In Solder Area.

## Ordering Information

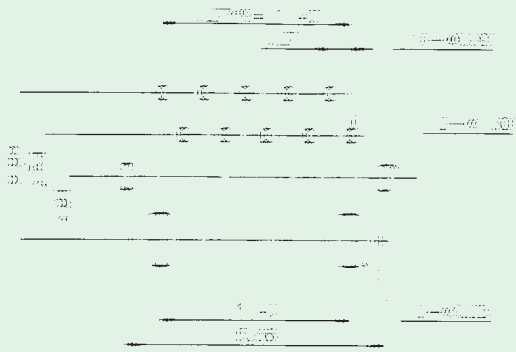




# Top Entry PCB Jack (CAT.5, Shielded Type)



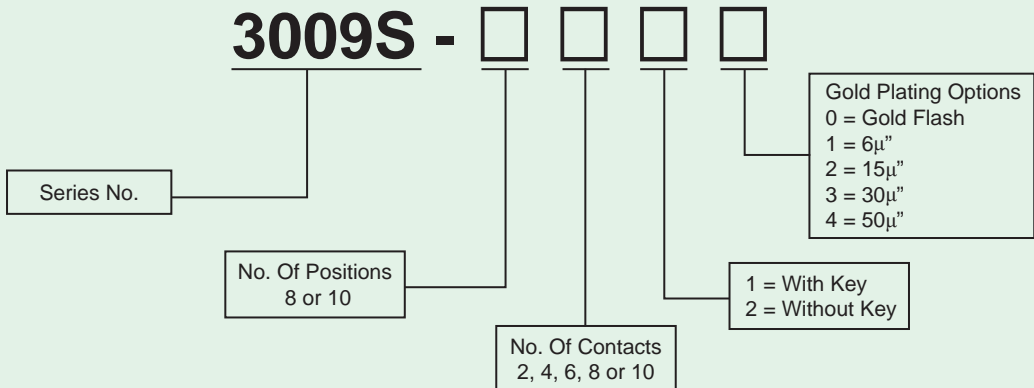
PCB Layout / Top View



## Materials

- **Shield** : Brass With Nickel Plated.
- **Housing** : Engineering Thermoplastic.  
Flammability Rating UL 94V-0.
- **Contacts** : Phosphor Bronze.
- **Plating** : Gold Plating Over Nickel In Contact Area.  
Tin Plating Over Nickel In Solder Area.

## Ordering Information



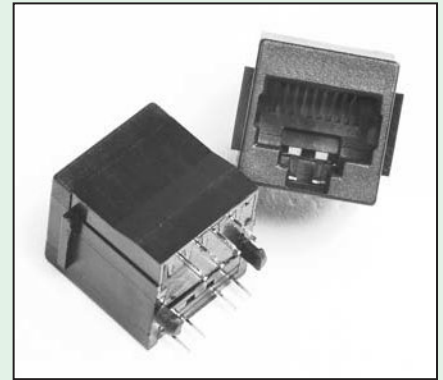
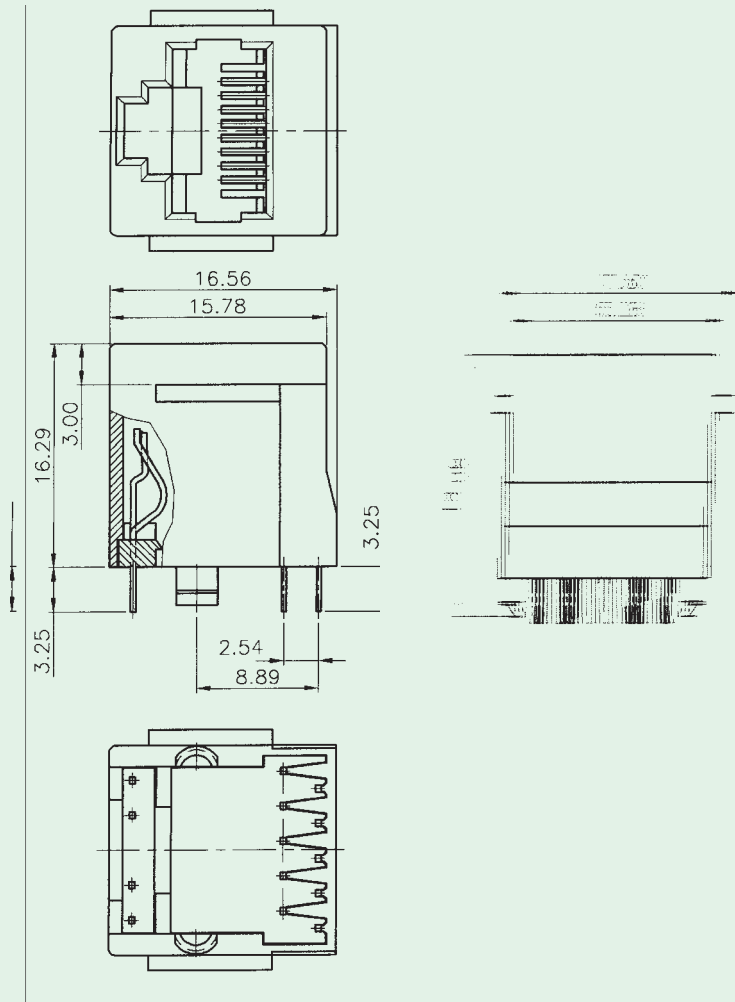
Option : More Grounding Pin Spacings.



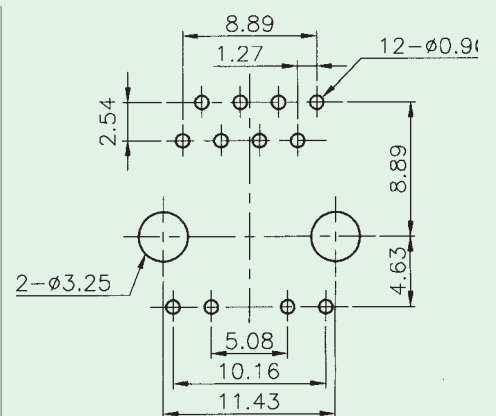


# Top Entry PCB Jack (CAT.5, Shunted Type)

**KINSUN**



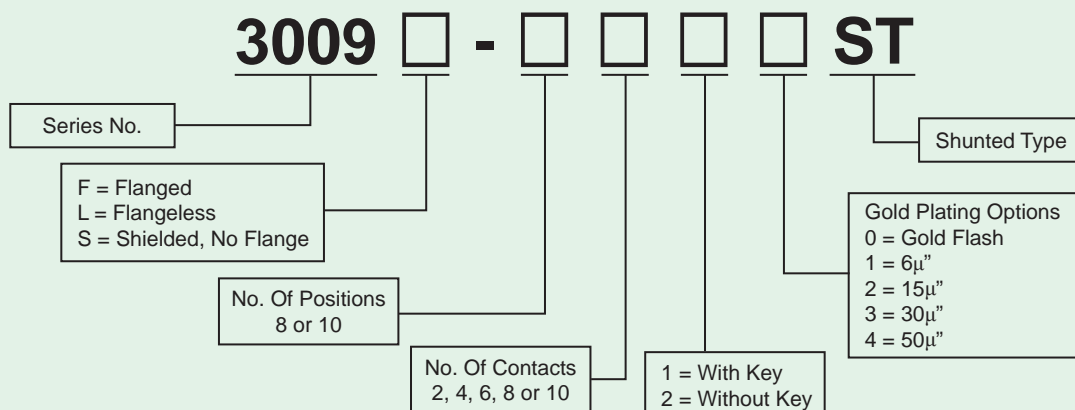
**PCB Layout / Top View**



## Materials

- **Housing** : Engineering Thermoplastic.  
Flammability Rating UL 94V-0.
- **Contacts** : Phosphor Bronze.
- **Plating** : Gold Plating Over Nickel In Contact Area.  
Tin Plating Over Nickel In Solder Area.

## Ordering Information



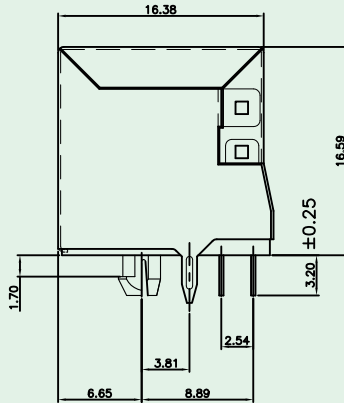
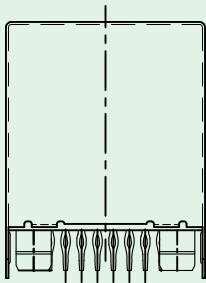
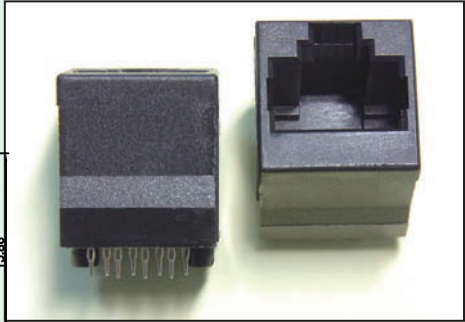
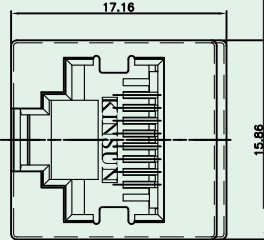
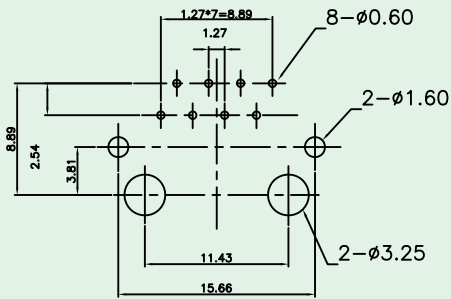




# Top Entry PCB Jack ( Pressfit Type )



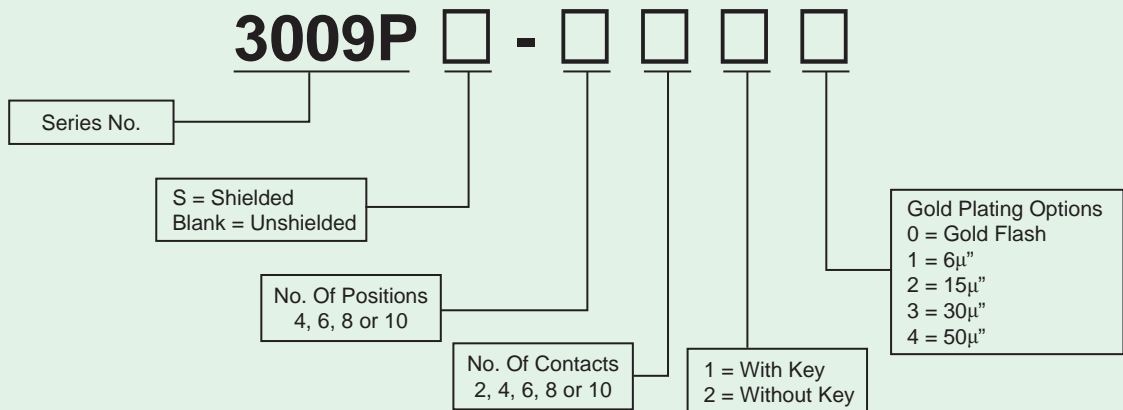
PCB LAYOUT/TOP VIEW



## Materials

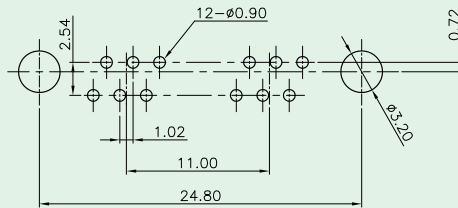
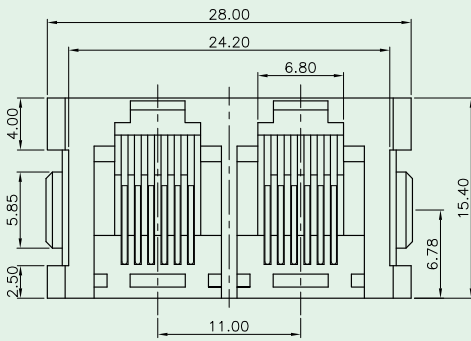
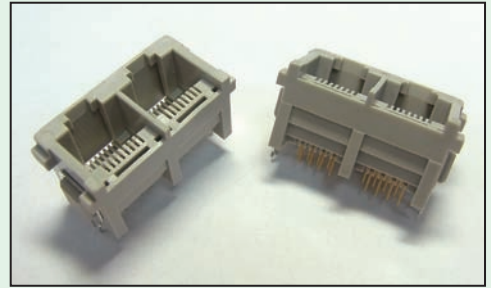
- **Shielded** : Brass With Nickel Plated
- **Housing** : Engineering Thermoplastic.  
Flammability Rating UL 94V-0.
- **Contacts** : Phosphor Bronze.
- **Plating** : Gold Plating Over Nickel In Contact.  
Tin Plating Over Nickel In Solder Area.

## Ordering Information

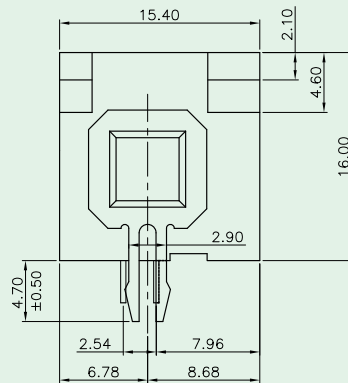
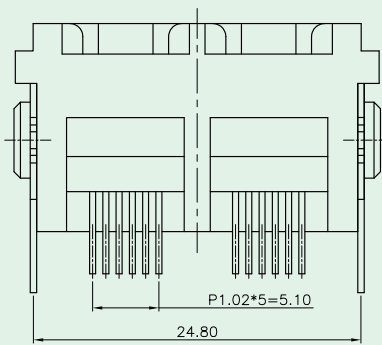




# Top Entry PCB Jack (Dual-Port, With Metal Peg)



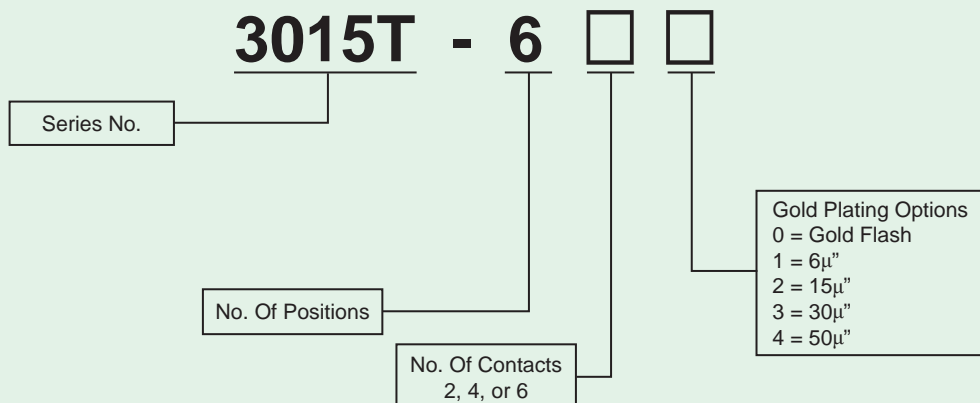
PCB LAYOUT/TOP VIEW



## Materials

- **Metal Peg** : 0.5mm Thickness Phosphor Bronze With Tin Plated.
- **Housing** : Engineering Thermoplastic.  
Flammability Rating UL 94V-0.
- **Standard Color** : Black or Bronze.
- **Contacts** : 0.46mm Diameter Phosphor Bronze.  
Gold Plating Over Nickel.

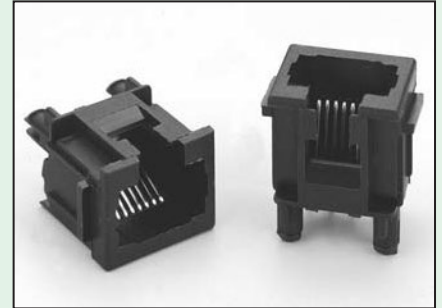
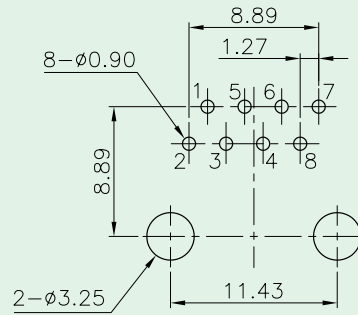
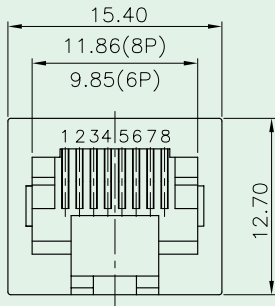
## Ordering Information



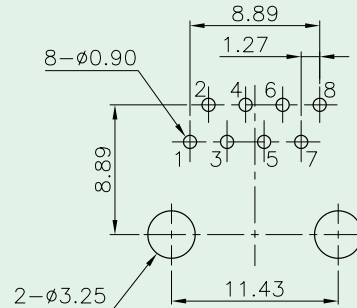
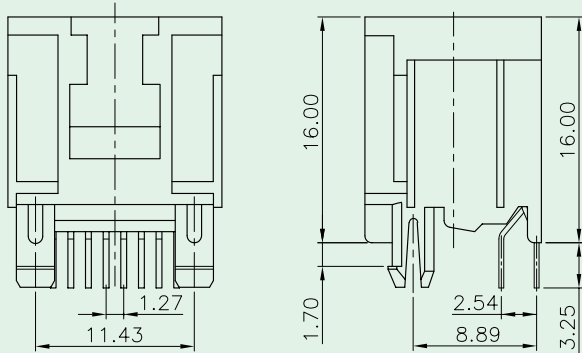


# Top Entry PCB Jack (CAT.5, Unshielded Type)

**KINSUN**



**CAT.5 PCB Layout / Top View**

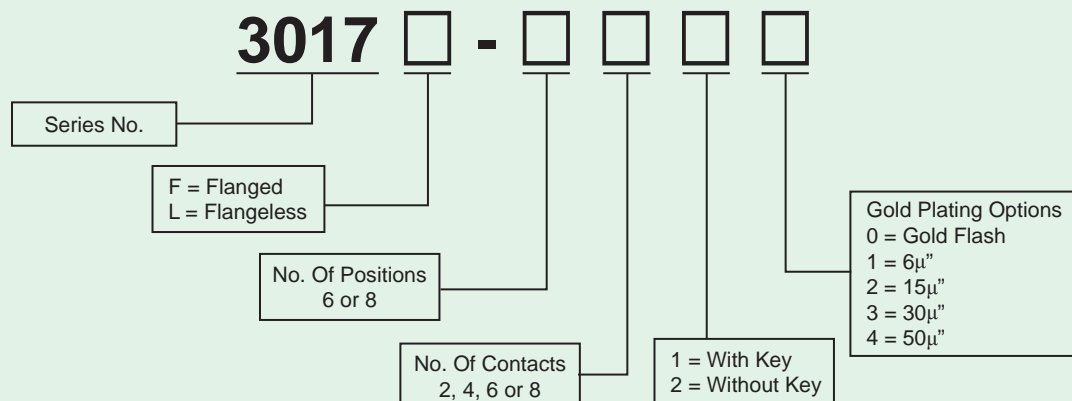


**Standard PCB Layout / Top View**

## Materials

- **Housing** : Engineering Thermoplastic.  
Flammability Rating UL 94V-0.
- **Contacts** : Phosphor Bronze.
- **Plating** : Gold Plating Over Nickel In Contact Area.  
Tin Plating Over Nickel In Solder Area.

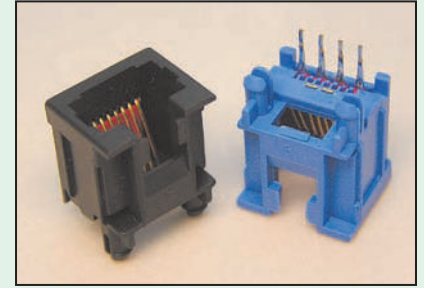
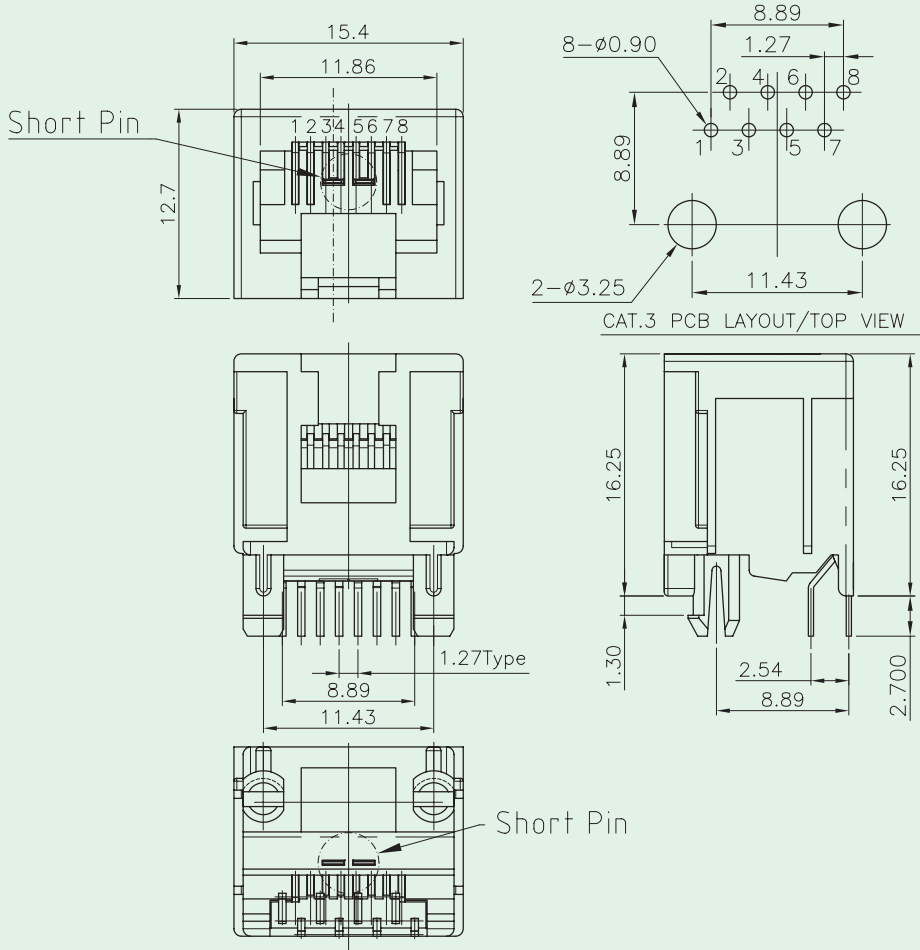
## Ordering Information





# Top Entry PCB Jack (Short 3,4 & 5,6 Pin Type)

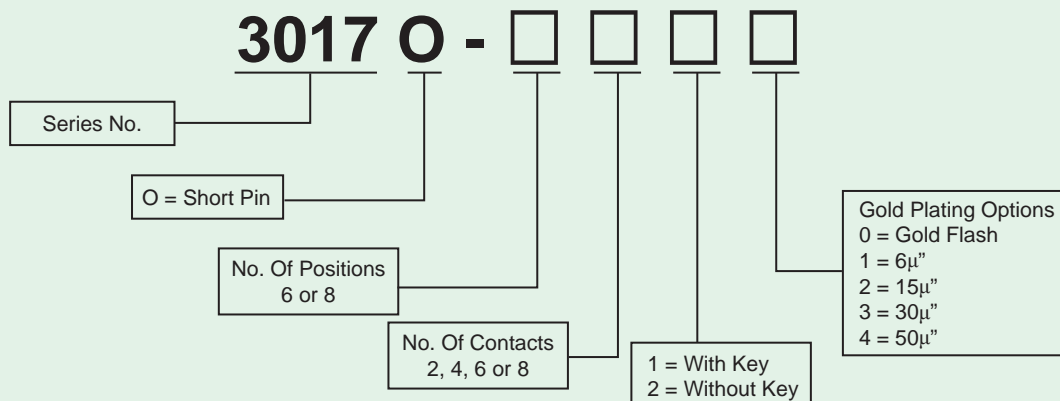
**KINSUN**



## Materials

- **Housing** : Engineering Thermoplastic.  
Flammability Rating UL 94V-0.
- **Contacts** : Phosphor Bronze.
- **Plating** : Gold Plating Over Nickel In Contact.  
Tin Plating Over Nickel In Solder Area.

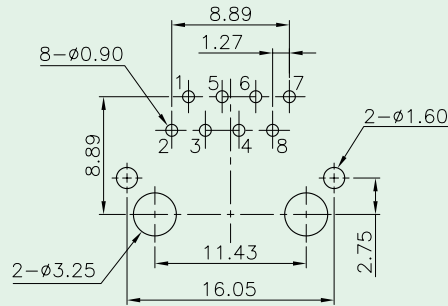
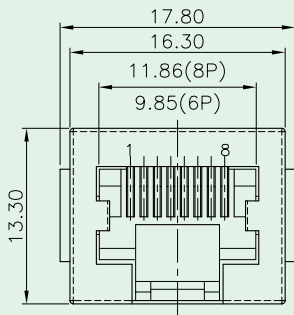
## Ordering Information



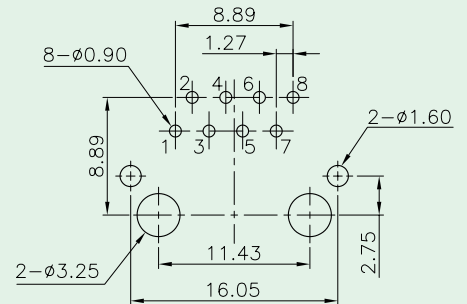
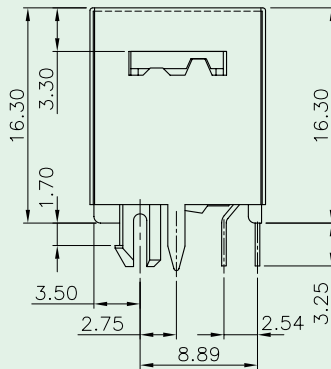
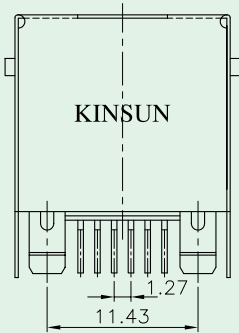
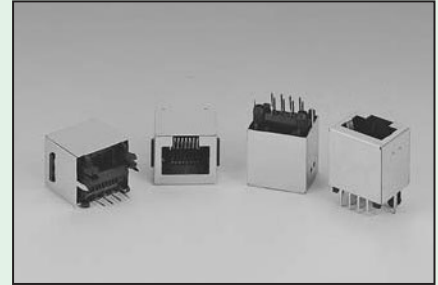


# Top Entry PCB Jack (CAT.5, Shielded Type)

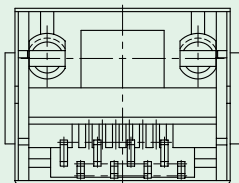
**KINSUN**



**CAT.5 PCB Layout / Top View**



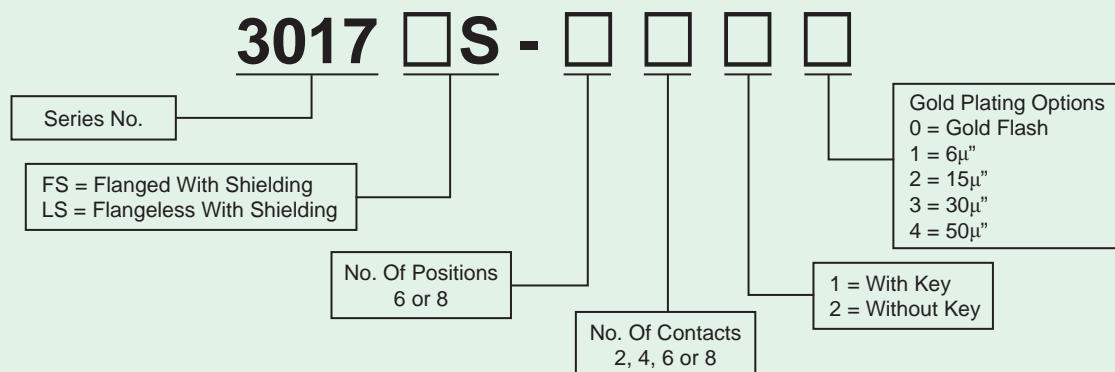
**Standard PCB Layout / Top View**



## Materials

- **Shield** : Brass With Nickel Plated.
- **Housing** : Engineering Thermoplastic.  
Flammability Rating UL 94V-0.
- **Contacts** : Phosphor Bronze.
- **Plating** : Gold Plating Over Nickel In Contact Area.  
Tin Plating Over Nickel In Solder Area.

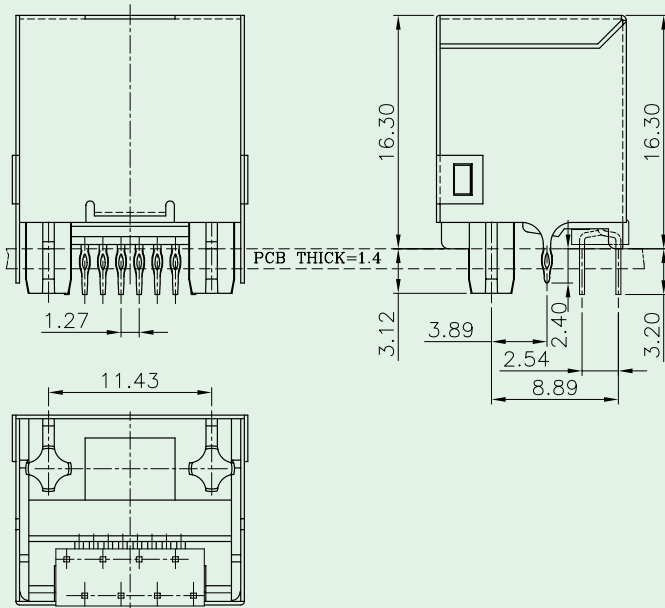
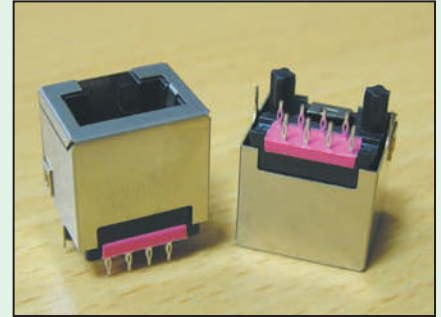
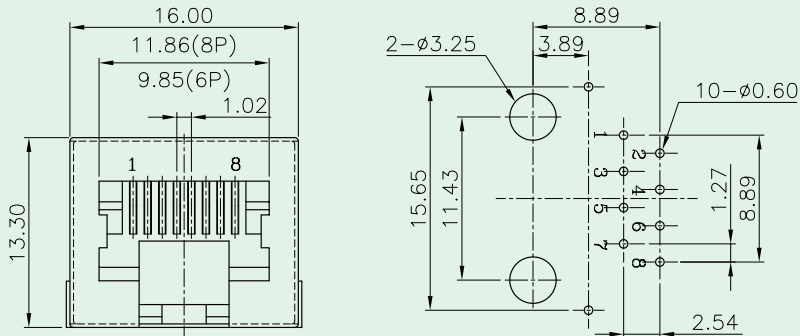
## Ordering Information





# Top Entry PCB Jack (Press Fit Type)

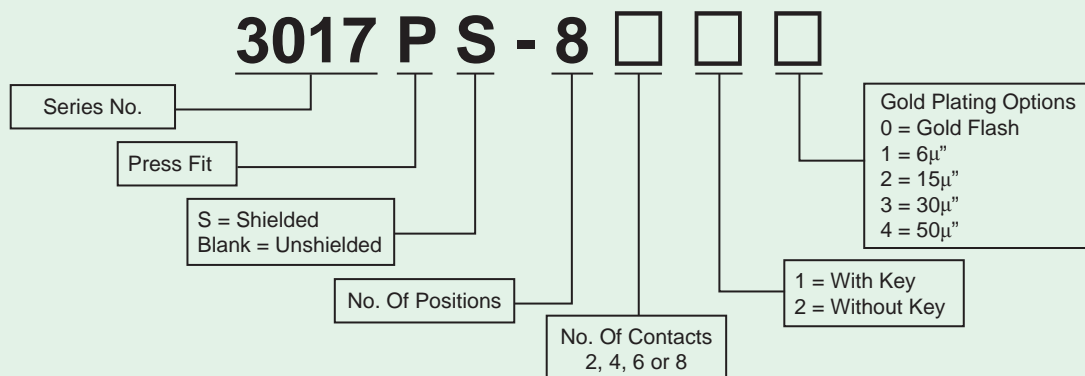
**KINSUN**



## Materials

- **Shield** : Brass With Nickel Plated.
- **Housing** : Engineering Thermoplastic.  
Flammability Rating UL 94V-0.
- **Contacts** : Phosphor Bronze.
- **Plating** : Gold Plating Over Nickel In Contact Area.  
Tin Plating Over Nickel In Solder Area.

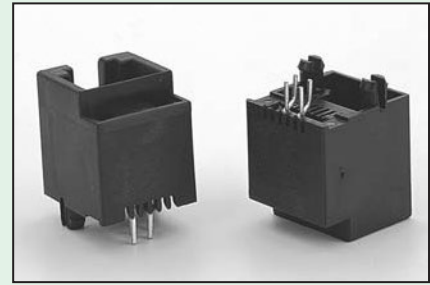
## Ordering Information





# Top Entry PCB Jack

**KINSUN**

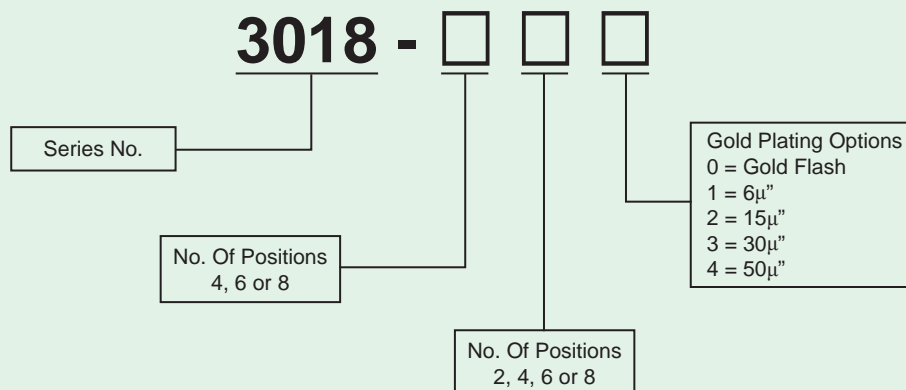


No. of Positions	Dimensions		
	A	B	C
4	11.20	7.62	3.81
6	13.21	10.16	6.35
8	15.25	11.43	8.89

## Materials

- **Housing** : Engineering Thermoplastic.  
Flammability Rating UL 94V-0.
- **Contacts** : Phosphor Bronze.
- **Plating** : Gold Plating Over Nickel In Contact Area.  
Tin Plating Over Nickel In Solder Area.

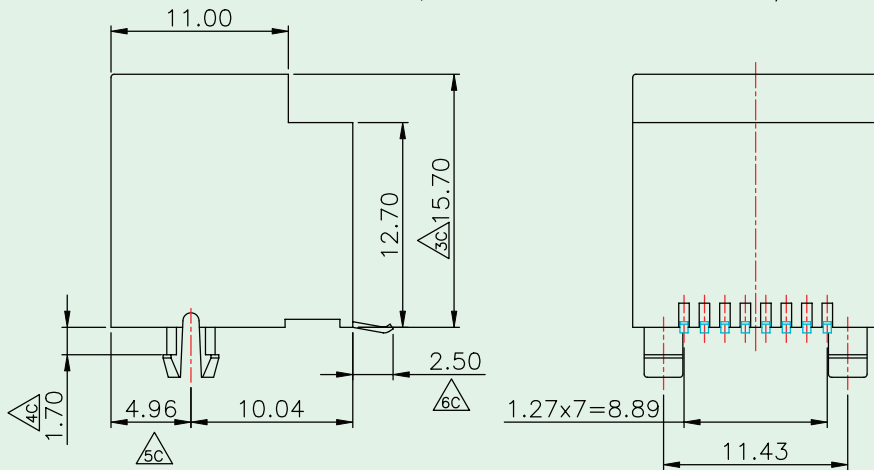
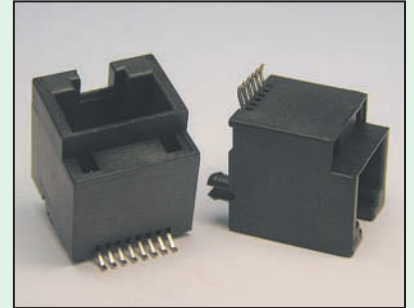
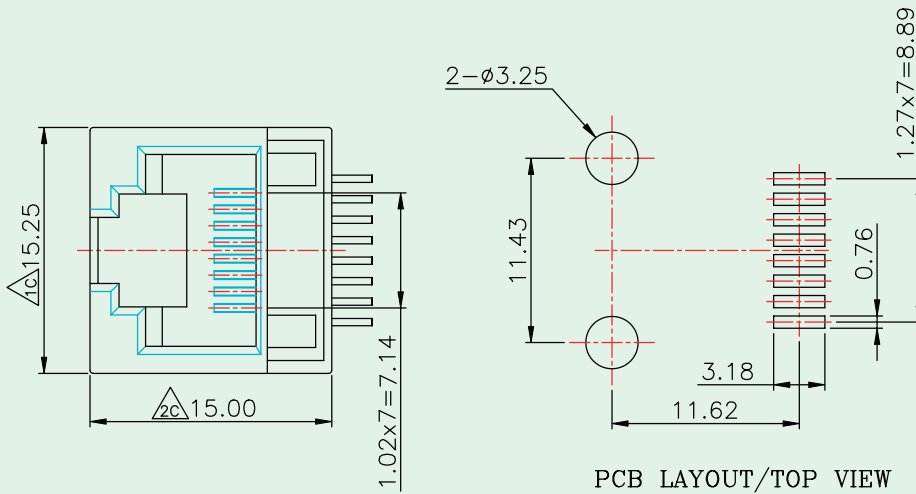
## Ordering Information





# Top Entry PCB Jack ( SMT Type )

KINSUN

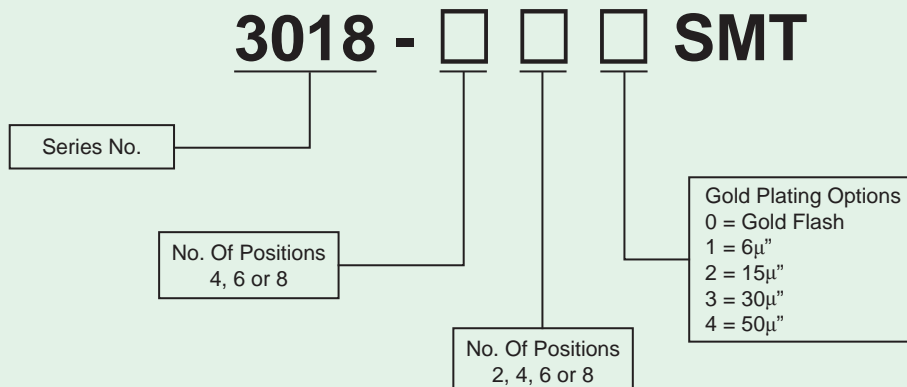


※凡標註  $\triangle$  記號者為品管管制尺寸。

## Materials

- **Housing** : High Temp. Thermoplastic.  
Flammability Rating UL 94V-0.
- **Contacts** : Phosphor Bronze.
- **Plating** : Gold Plating Over Nickel In Contact Area.  
Tin Plating Over Nickel In Solder Area.

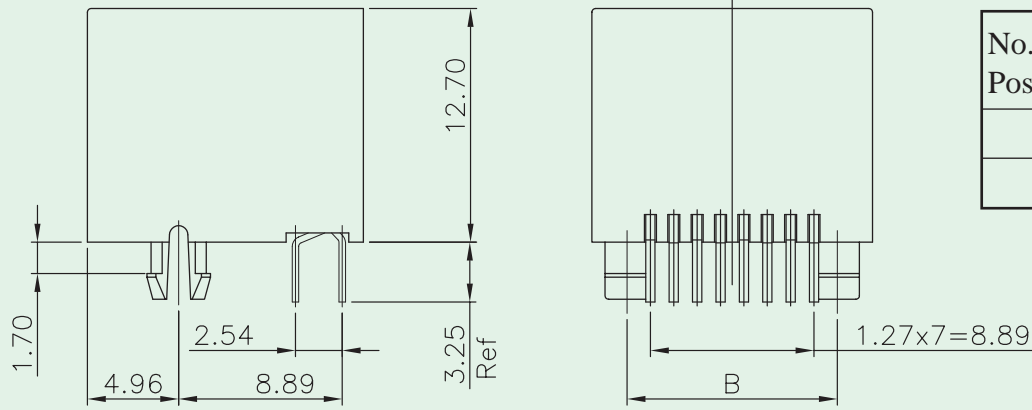
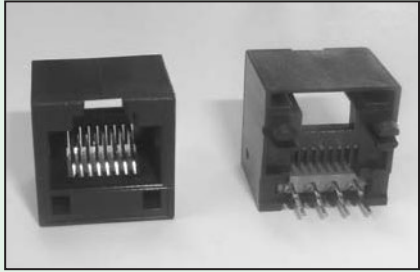
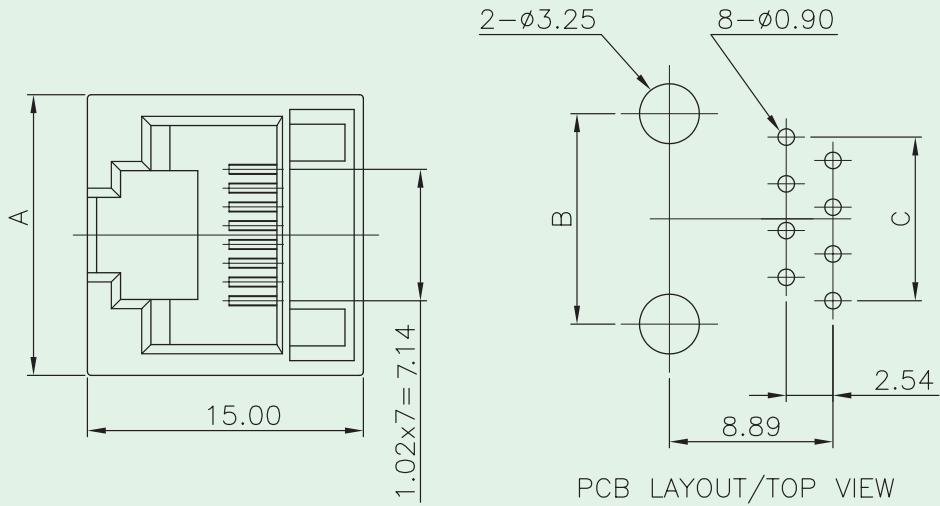
## Ordering Information







# Top Entry PCB Jack ( Low Profile, CAT.3 )

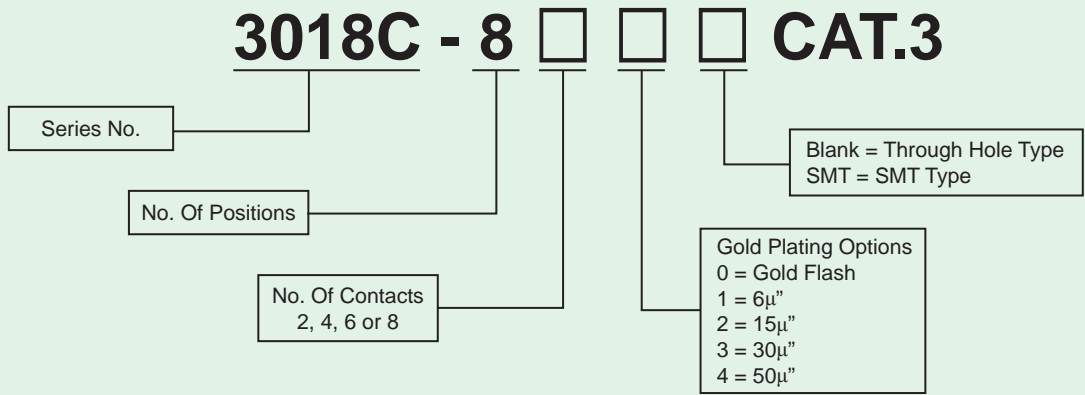


No. of Positions	Dimensions		
	A	B	C
4	11.20	7.62	3.81
6	15.25	11.43	8.89

## Materials

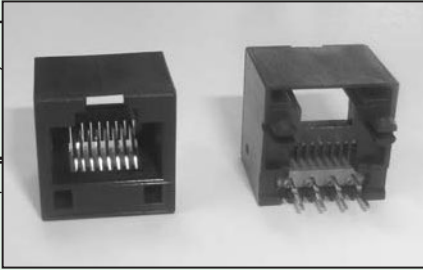
- **Housing** : Engineering Thermoplastic.  
Flammability Rating UL 94V-0.
- **Contacts** : Phosphor Bronze.
- **Plating** : Gold Plating Over Nickel In Contact.  
Tin Plating Over Nickel In Solder Area.

## Ordering Information





# Top Entry PCB Jack ( Low Profile, CAT.5 )



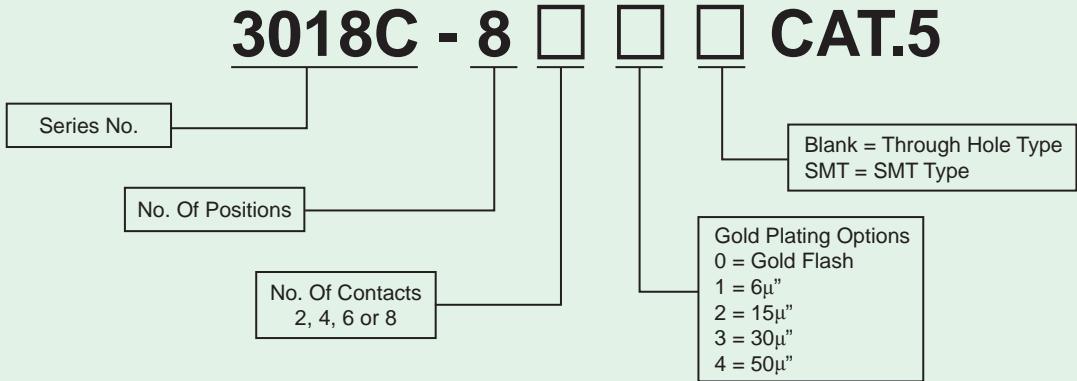
PCB Layout / Top View



## Materials

- **Housing** : Engineering Thermoplastic.  
Flammability Rating UL 94V-0.
- **Contacts** : Phosphor Bronze.
- **Plating** : Gold Plating Over Nickel In Contact Area.  
Tin Plating Over Nickel In Solder Area.

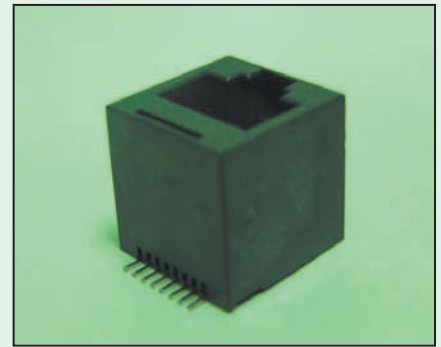
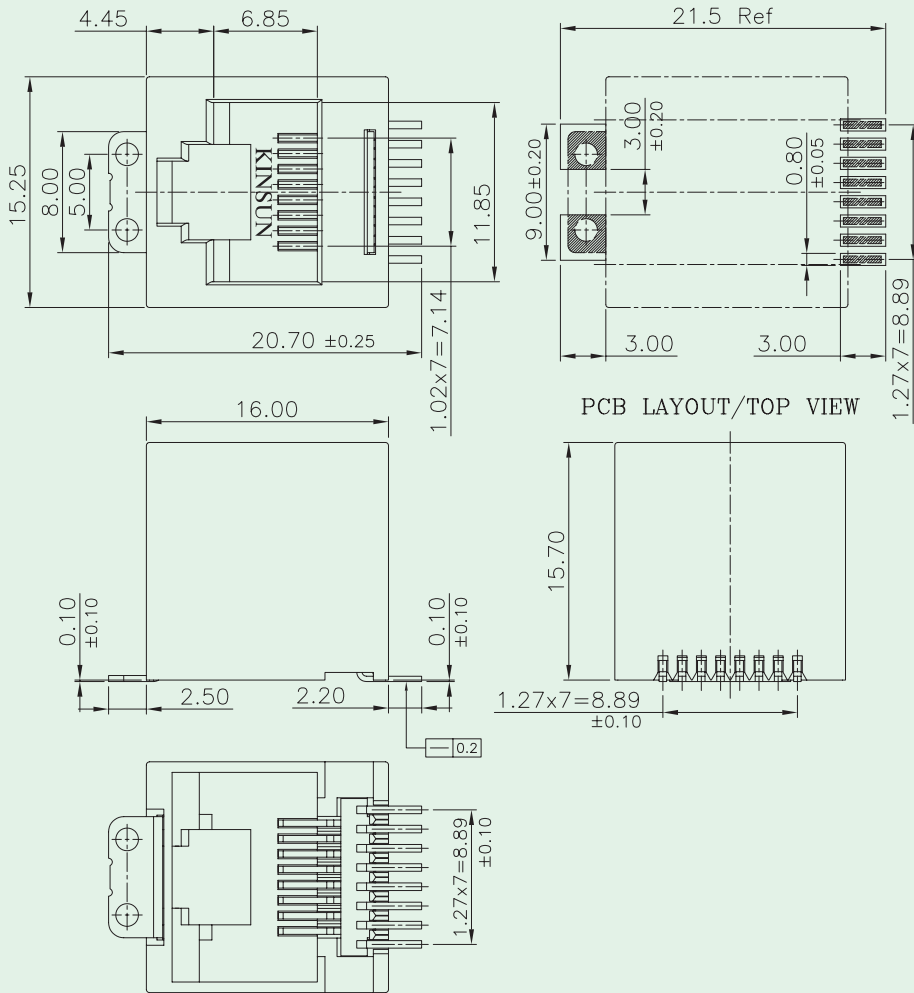
## Ordering Information





# Top Entry PCB 8P8C Jack (SMT Type, With Solder Pad)

**KINSUN**



## Materials

- **Housing** : High Temp. Thermoplastic.  
Flammability Rating UL 94V-0.
- **Contacts** : Phosphor Bronze.
- **Plating** : Gold Plating Over Nickel In Contact Area.  
Tin Plating Over Nickel In Solder Area.

## Ordering Information

### 3018H - 8 SMT

Series No.

No. Of Positions

No. Of Contacts  
2, 4, 6 or 8

Gold Plating Options

0 = Gold Flash

1 = 6μ"

2 = 15μ"

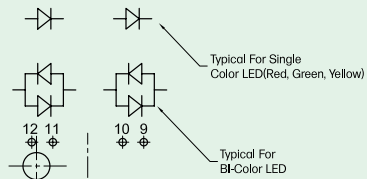
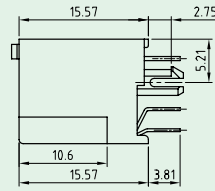
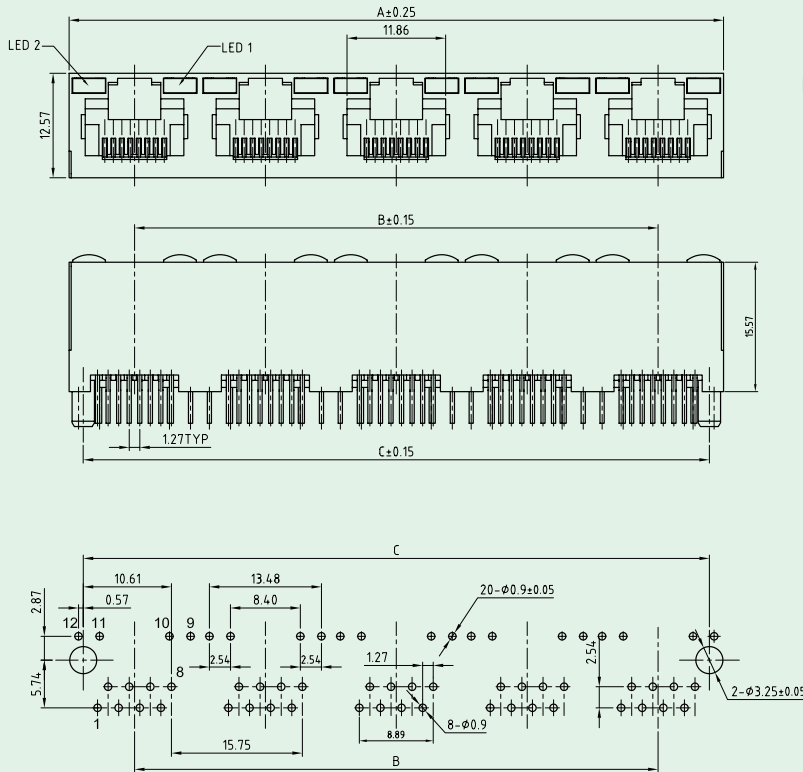
3 = 30μ"

4 = 50μ"

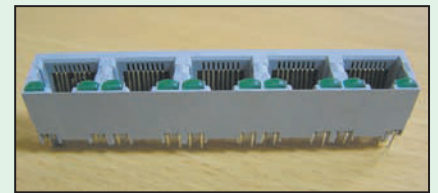


# With LED PCB Jack ( Top Entry, Multi-Port )

**KINSUN**



LED Schematic



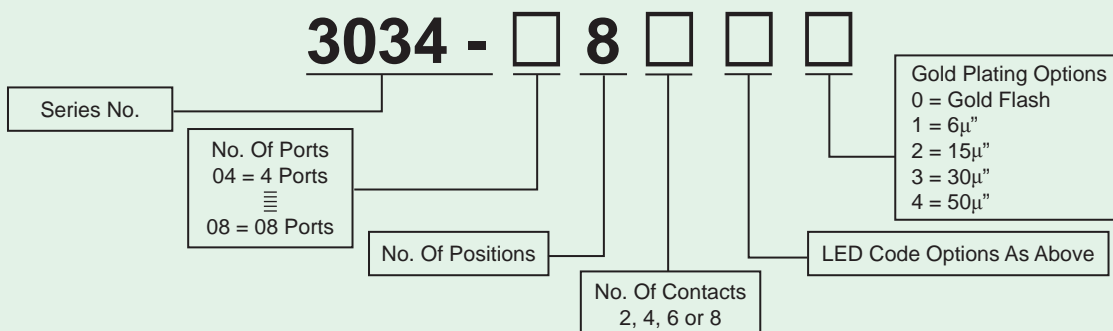
Code	LED 2 (LEFT)	LED 1 (RIGHT)
0	No LED	No LED
1	Yellow	Green
2	No LED	Green
3	Green	Yellow
4	Green	Green
5	Yellow	Yellow
6	Yellow / Green	Yellow / Green
7	Green / Red	Green / Red
8	Yellow / Green	Yellow

Part No.	No. of Ports	Dimensions		
		A	B	C
3034-04	4	63.00	47.25	59.59
3034-05	5	78.75	63.00	75.34
3034-06	6	94.50	78.75	91.10
3034-08	8	126.00	110.25	122.60

## Materials

- **Housing** : Engineering Thermoplastic.  
Flammability Rating UL 94V-0.
- **Contacts** : Phosphor Bronze.
- **Plating** : Gold Plating Over Nickel In Contact Area.  
Tin Plating Over Nickel In Solder Area.

## Ordering Information

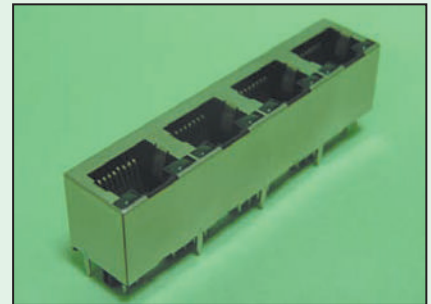
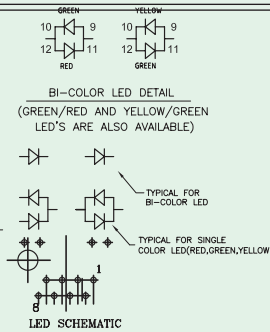
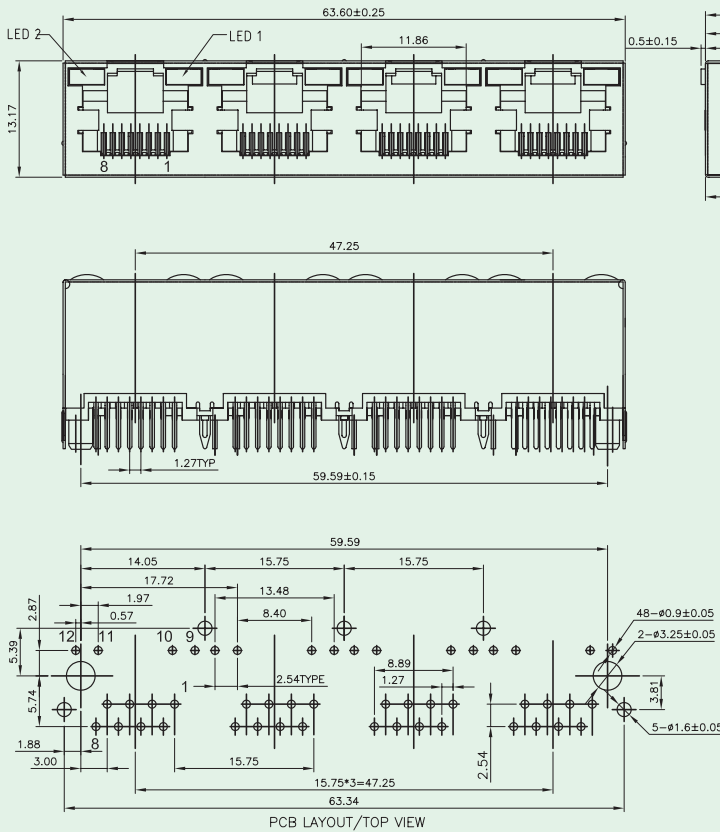


※ Shielded Type Will Be Available Under Your Confirmation.



# Top Entry Multi-Port PCB Jack (Shielded With LED)

**KINSUN**

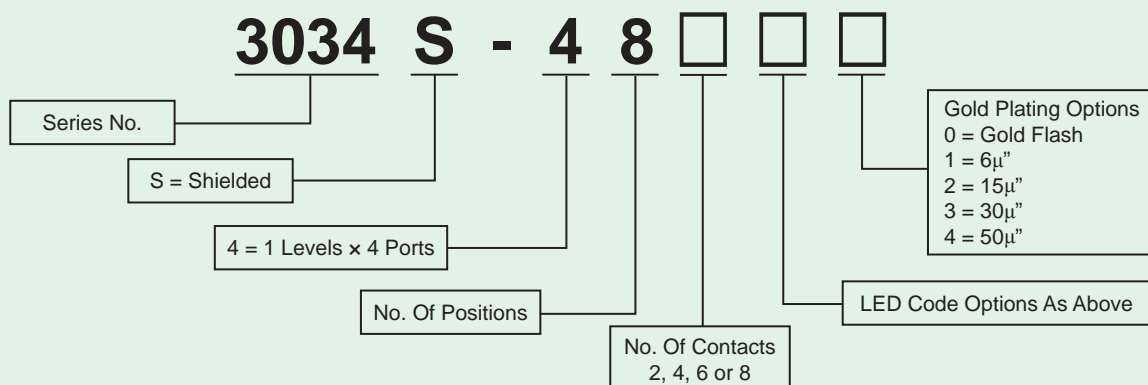


Code	LED 2 (LEFT)	LED 1 (RIGHT)
0	No LED	No LED
1	Yellow	Green
2	No LED	Green
3	Green	Yellow
4	Green	Green
5	Yellow	Yellow
6	Yellow / Green	Yellow / Green
7	Green / Red	Green / Red
8	Yellow / Green	Yellow

## Materials

- **Housing** : Engineering Thermoplastic.  
Flammability Rating UL 94V-0.
- **Contacts** : Phosphor Bronze.
- **Plating** : Gold Plating Over Nickel In Contact.  
Tin Plating Over Nickel In Solder Area.
- **Shielded** : Brass With Nickel Plated.

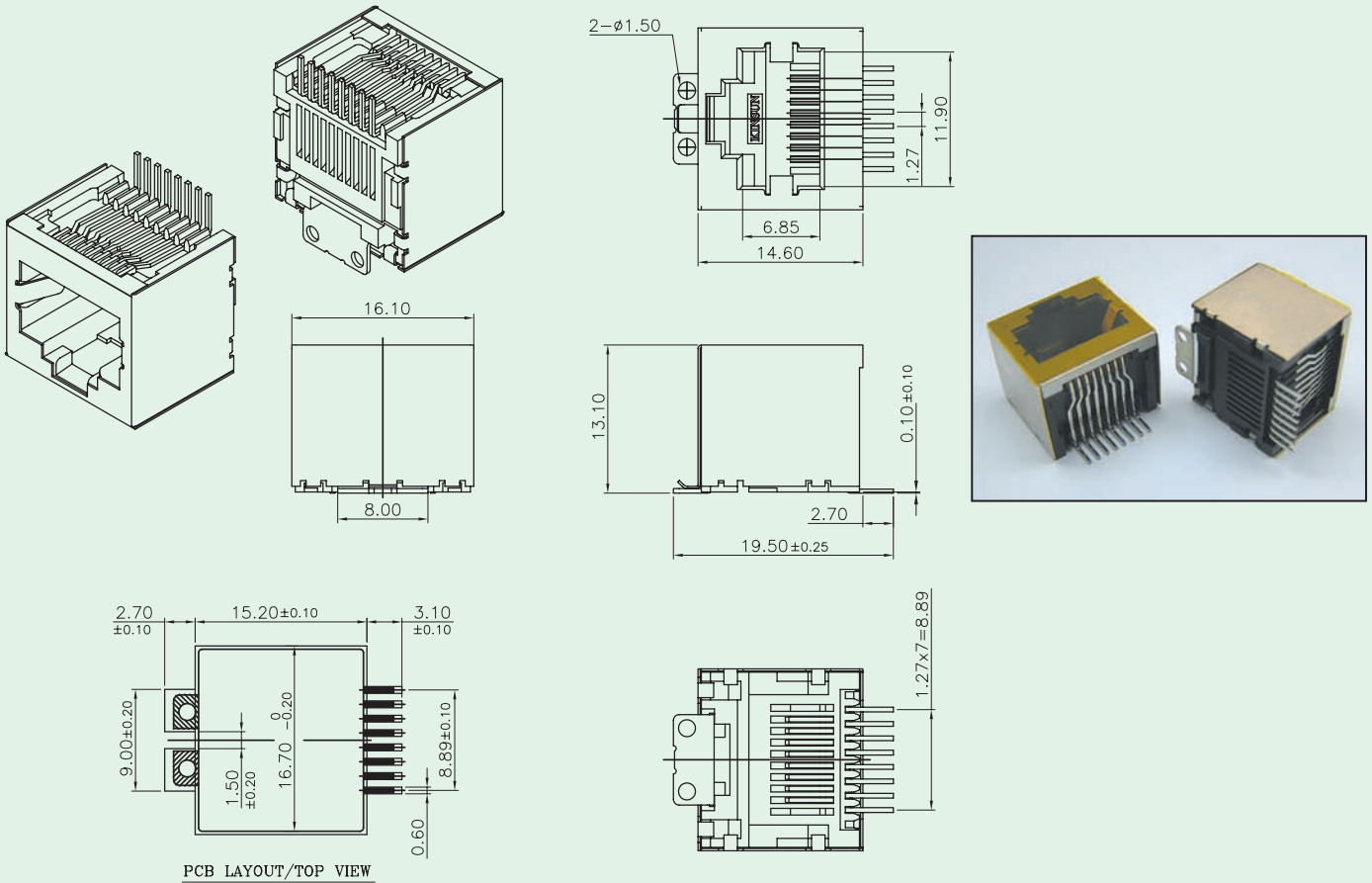
## Ordering Information





# Top Entry PCB Jack (Shielded) ( SMT With Solder Pad)

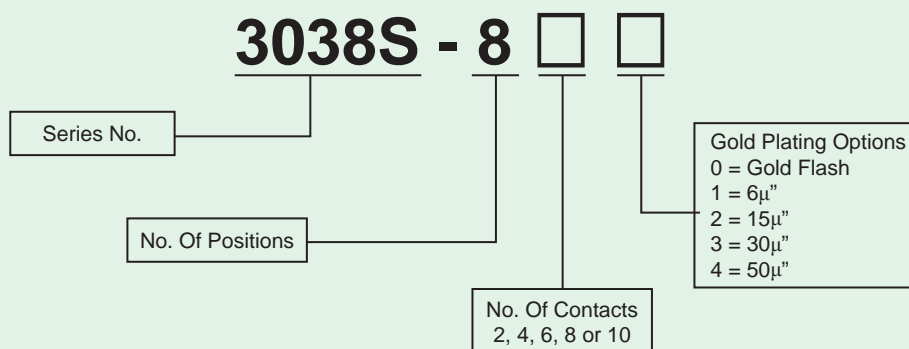
**KINSUN**



## Materials

- **Housing** : High Temp. Thermoplastic.  
Flammability Rating UL 94V-0.
- **Contacts** : Phosphor Bronze.
- **Plating** : Gold Plating Over Nickel In Contact Area.  
Tin Plating Over Nickel In Solder Area.
- **Shielded** : Brass With Nickel Plated.

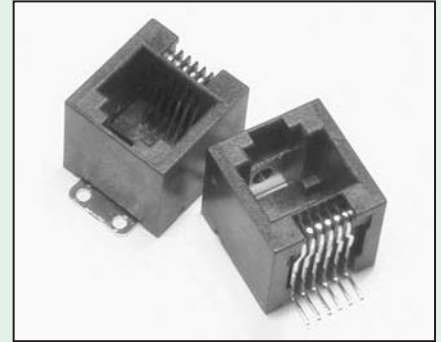
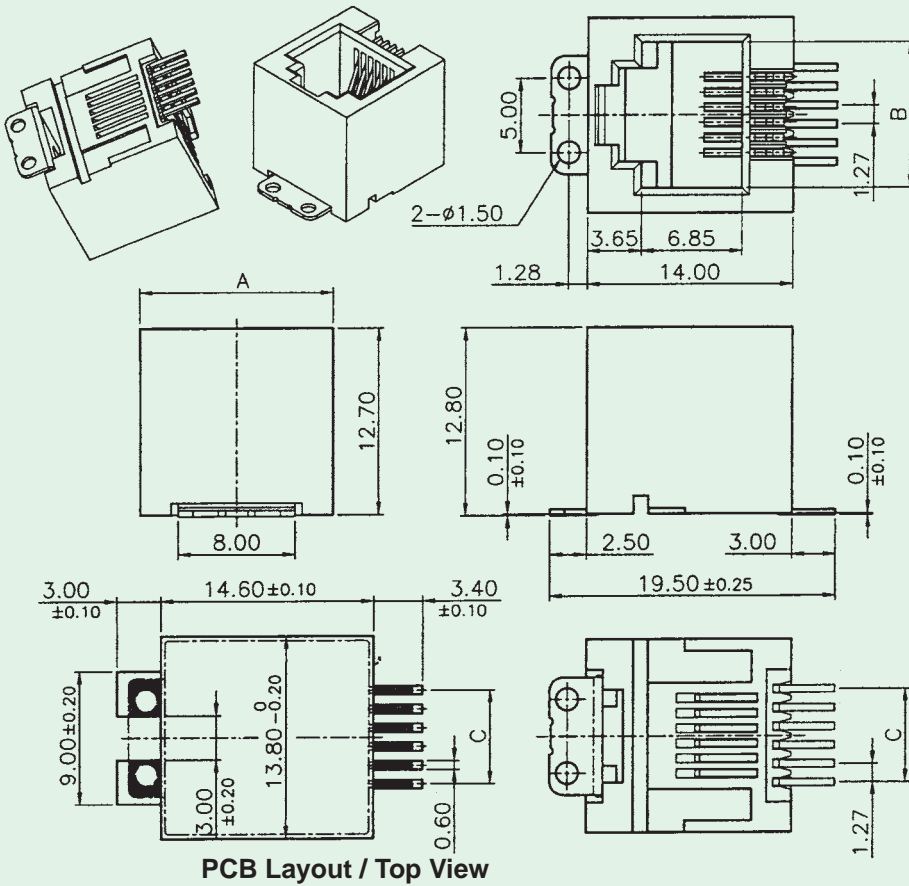
## Ordering Information





# Top Entry PCB Jack (SMT Type, With Solder Pad)

**KINSUN**

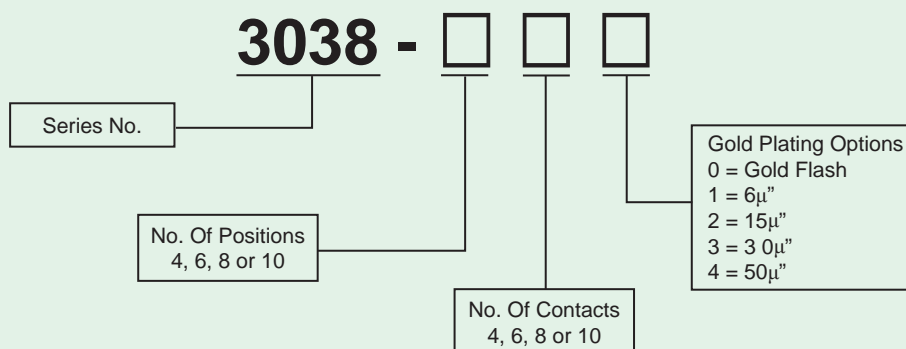


No. of Positions	Dimensions		
	A	B	C
4	13.21	7.82	3.81
6	13.21	9.85	6.35
8/10	15.50	11.90	8.89/11.43

## Materials

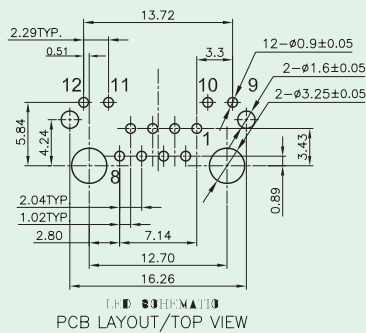
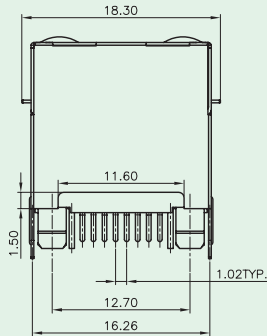
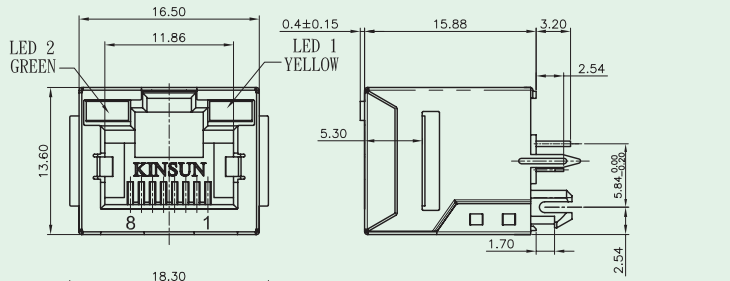
- **Housing** : High Temp. Thermoplastic.  
Flammability Rating UL 94V-0.
- **Contacts** : Phosphor Bronze.
- **Plating** : Gold Plating Over Nickel In Contact Area.  
Tin Plating Over Nickel In Solder Area.

## Ordering Information

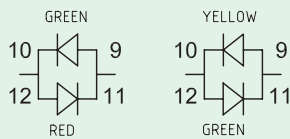




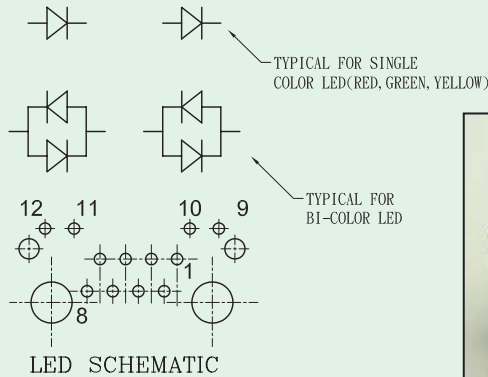
# Top Entry Single-Port PCB Jack (Shielded With LED)



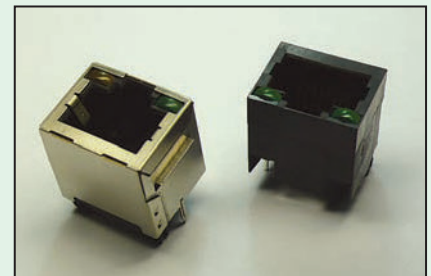
PCB LAYOUT/TOP VIEW



BI-COLOR LED DETAIL  
(RED/GREEN AND GREEN/YELLOW LED'S ARE ALSO AVAILABLE)



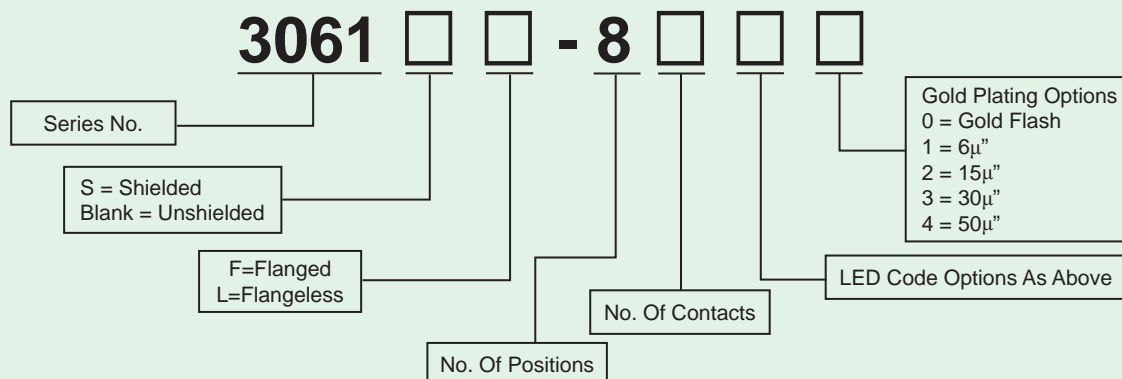
Code	LED 2 (LEFT)	LED 1 (RIGHT)
0	No LED	No LED
1	Yellow	Green
2	No LED	Green
3	Green	Yellow
4	Green	Green
5	Yellow	Yellow
6	Yellow / Green	Yellow / Green
7	Green / Red	Green / Red
8	Yellow / Green	Yellow



## Materials

- **Housing** : High Temp. Thermoplastic.  
Flammability Rating UL 94V-0.
- **Contacts** : Phosphor Bronze.
- **Plating** : Gold Plating Over Nickel In Contact.  
Tin Plating Over Nickel In Solder Area.
- **Shielded** : Brass With Nickel Plated.

## Ordering Information

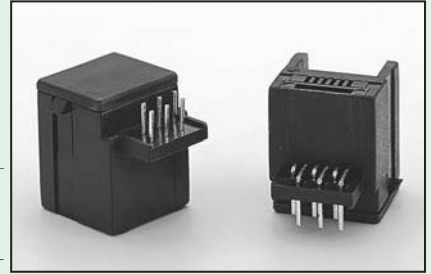






# Bottom Entry PCB Jack

**KINSUN**



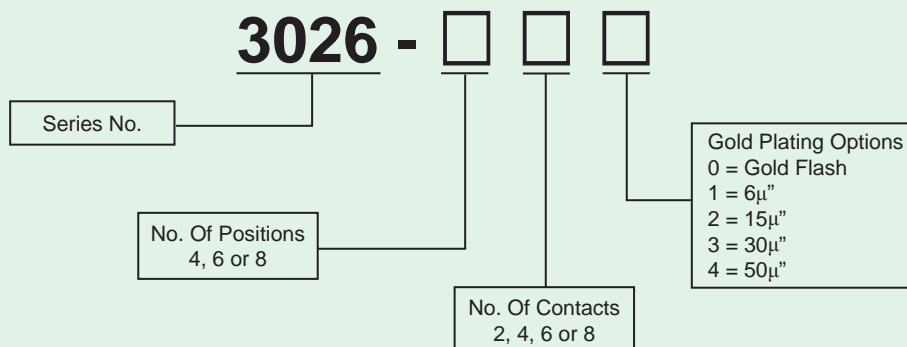
PCB Layout / Top View

No. of Positions	Dimensions				
	A	B	C	D	E
4	7.80	11.20	13.30	3.81	11.35
6	10.00	13.20	15.50	6.35	13.35
8	12.00	15.20	16.60	8.89	15.35

## Materials

- **Housing** : Engineering Thermoplastic.  
Flammability Rating UL 94V-0.
- **Contacts** : Phosphor Bronze.
- **Plating** : Gold Plating Over Nickel In Contact Area.  
Tin Plating Over Nickel In Solder Area.

## Ordering Information

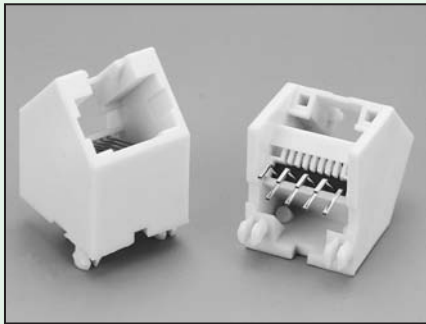
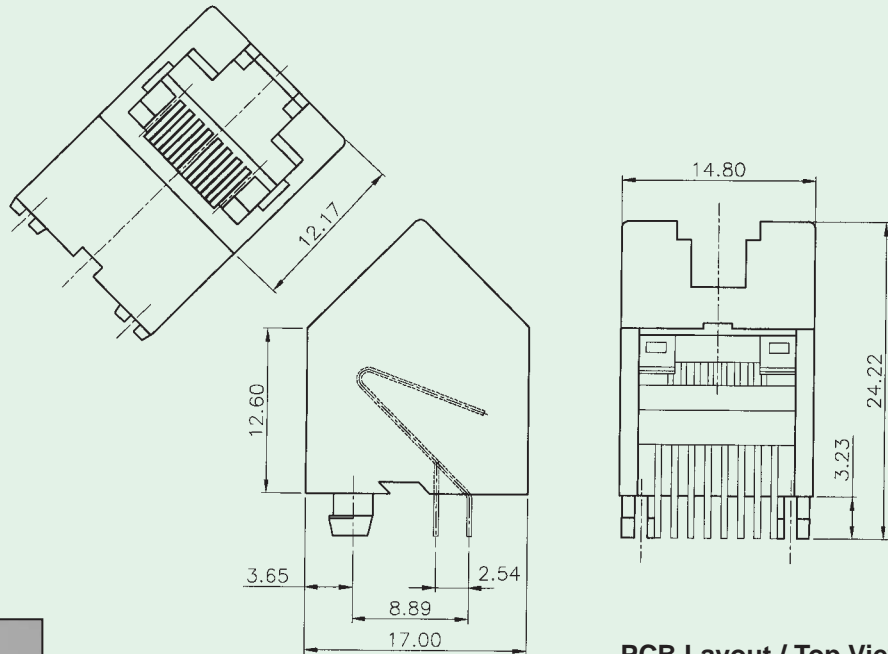


Option : With Dust Cover.

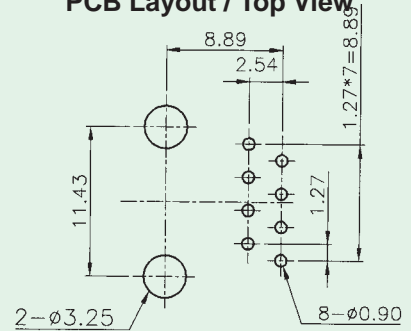


# 45 Degree PCB Jack ( Unshielded Type )

**KINSUN**



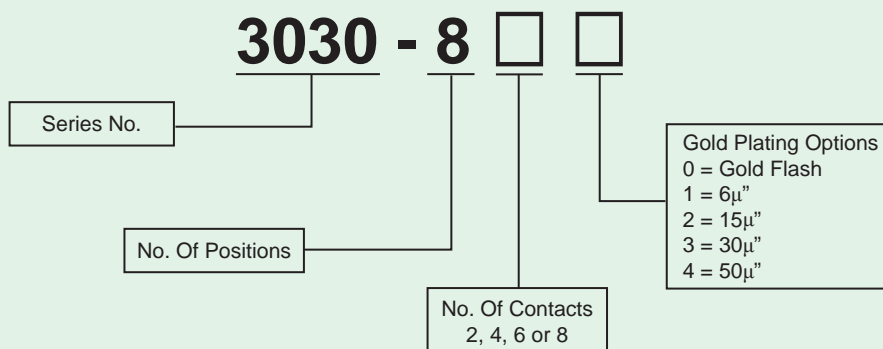
**PCB Layout / Top View**



## Materials

- **Housing** : Engineering Thermoplastic.  
Flammability Rating UL 94V-0.
- **Contacts** : Phosphor Bronze.
- **Plating** : Gold Plating Over Nickel In Contact Area.  
Tin Plating Over Nickel In Solder Area.

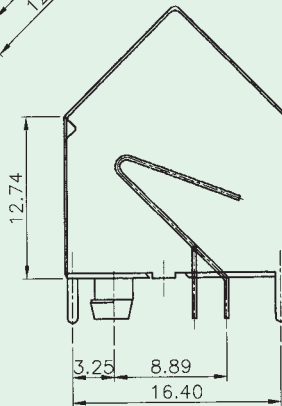
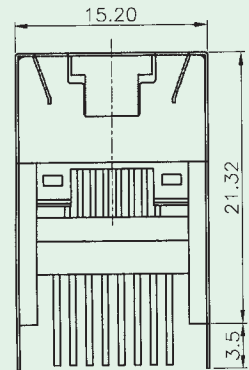
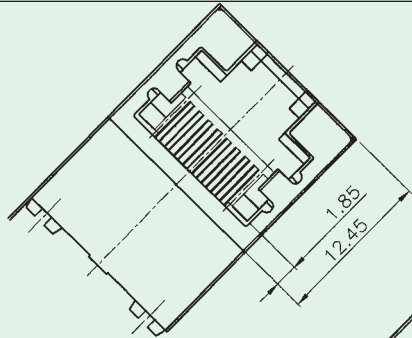
## Ordering Information



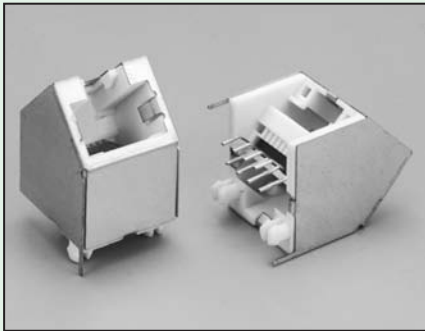
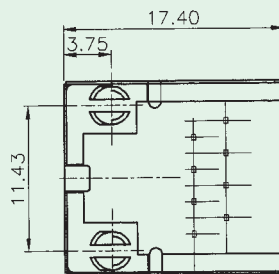
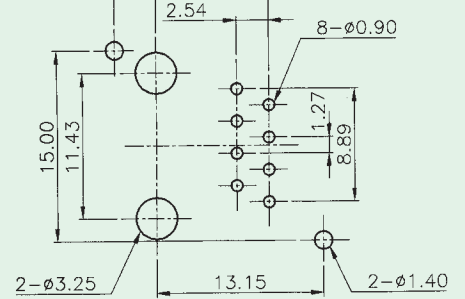


# 45 Degree PCB Jack (Shielded Type)

**KINSUN**



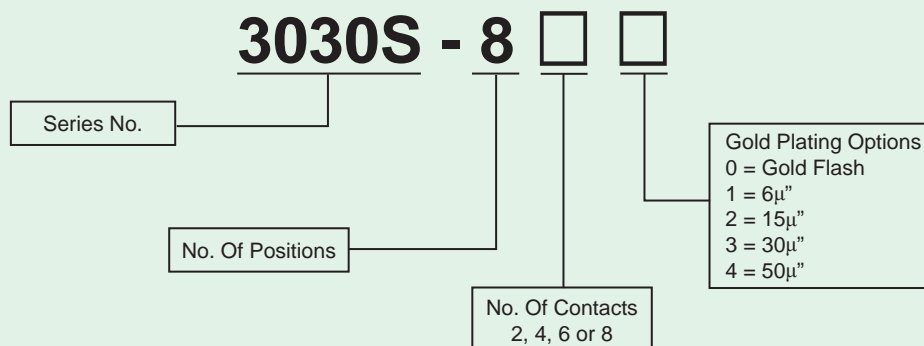
**PCB Layout / Top View**



## Materials

- **Shield** : Brass With Nickel Plated.
- **Housing** : Engineering Thermoplastic.  
Flammability Rating UL 94V-0.
- **Contacts** : Phosphor Bronze.
- **Plating** : Gold Plating Over Nickel In Contact Area.  
Tin Plating Over Nickel In Solder Area.

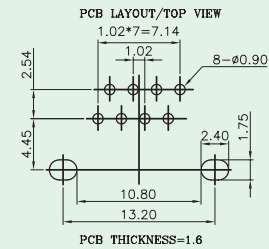
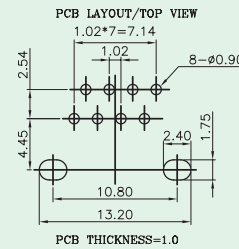
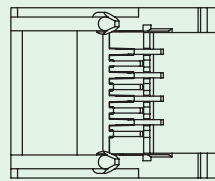
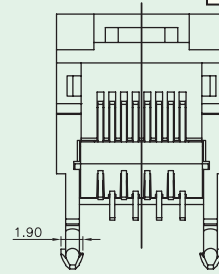
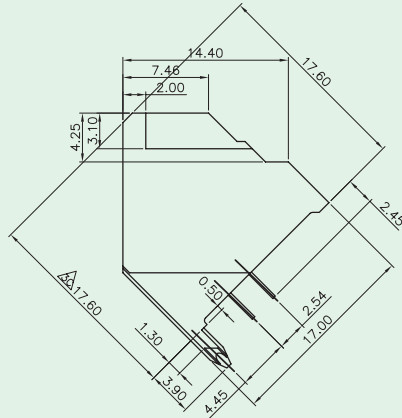
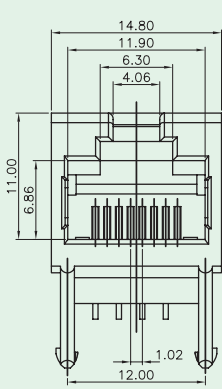
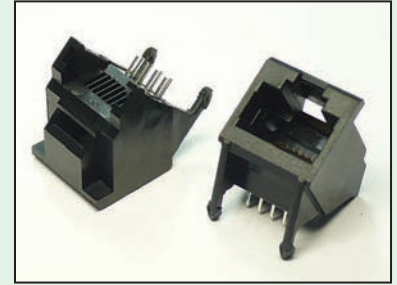
## Ordering Information





# 45 Degree PCB Jack ( Solder Pin 1.02 Pitch )

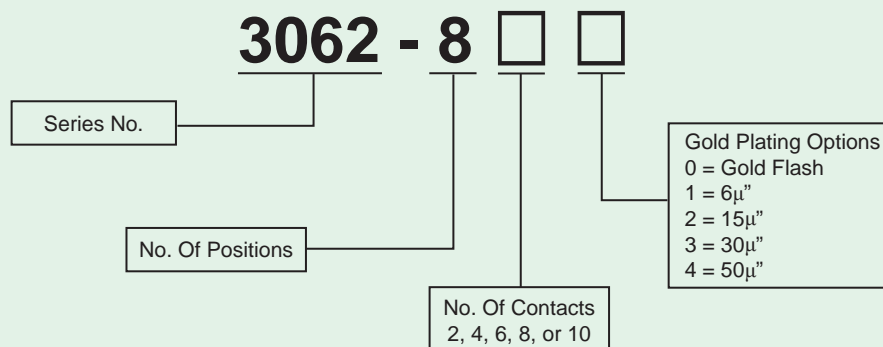
**KINSUN**



## Materials

- **Housing** : Engineering Thermoplastic.  
Flammability Rating UL 94V-0.
- **Contacts** : Phosphor Bronze.
- **Plating** : Gold Plating Over Nickel In Contact Area.  
Tin Plating Over Nickel In Solder Area.

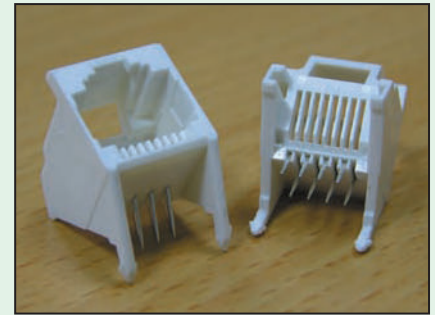
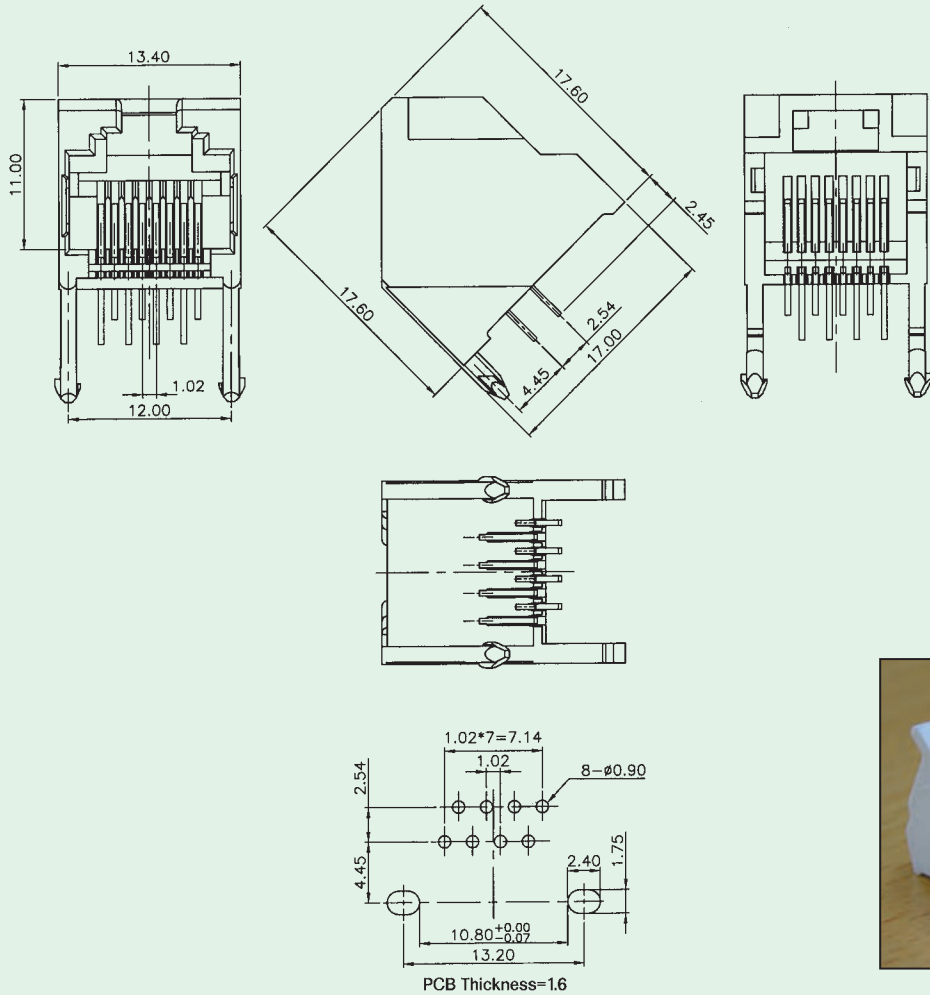
## Ordering Information





# Mini 45 Degree PCB Jack ( Unshielded Type )

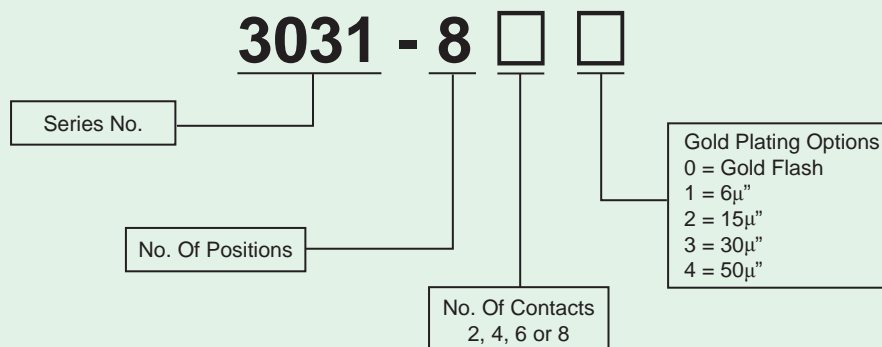
**KINSUN**



## Materials

- **Housing** : Engineering Thermoplastic.  
Flammability Rating UL 94V-0.
- **Contacts** : Phosphor Bronze.
- **Plating** : Gold Plating Over Nickel In Contact Area.  
Tin Plating Over Nickel In Solder Area.

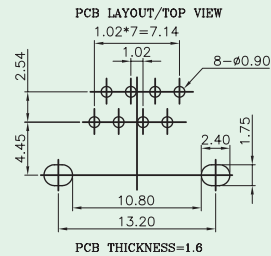
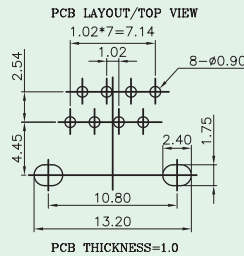
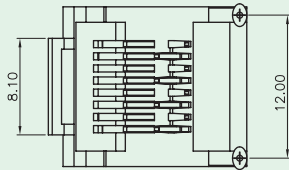
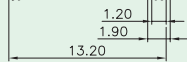
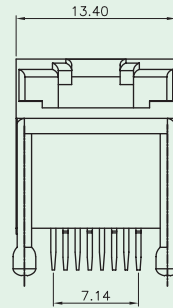
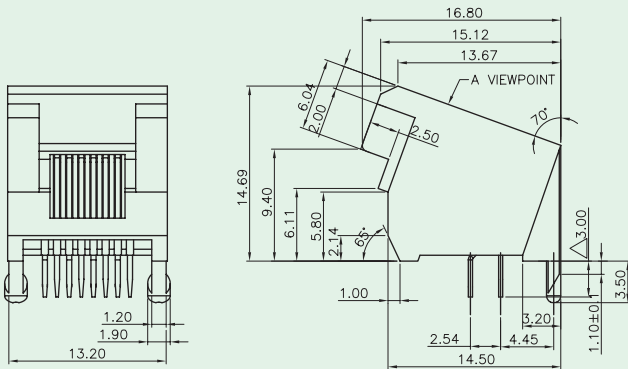
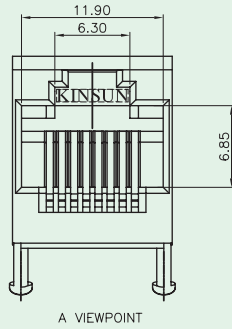
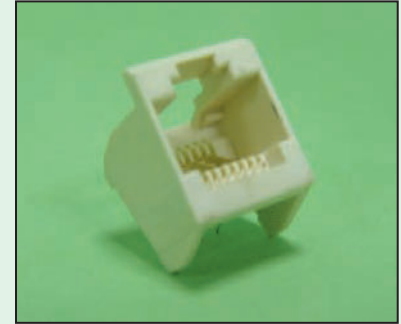
## Ordering Information





# 70° PCB Jack 8P8C

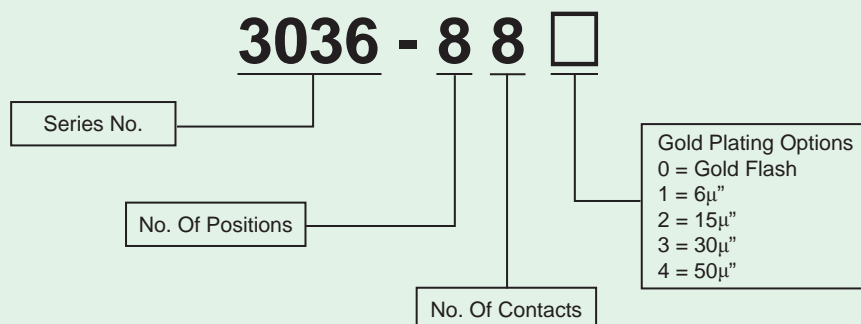
# KINSUN



## Materials

- **Housing** : High Temp. Thermoplastic.  
Flammability Rating UL 94V-0.
- **Contacts** : Phosphor Bronze.
- **Plating** : Gold Plating Over Nickel In Contact.  
Tin Plating Over Nickel In Solder Area.

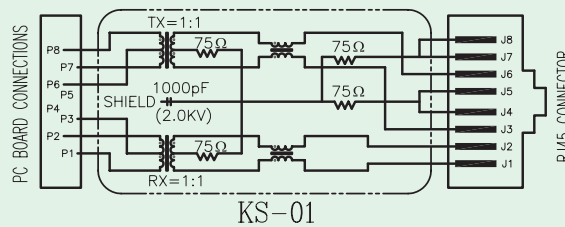
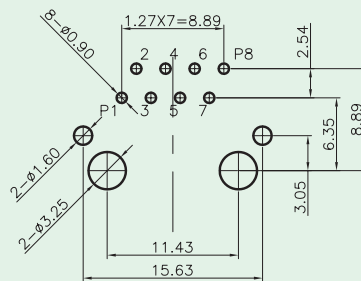
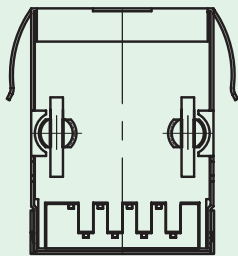
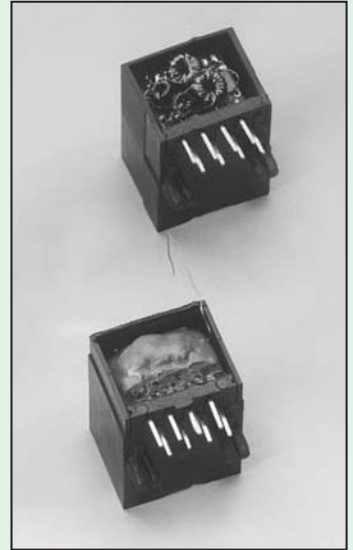
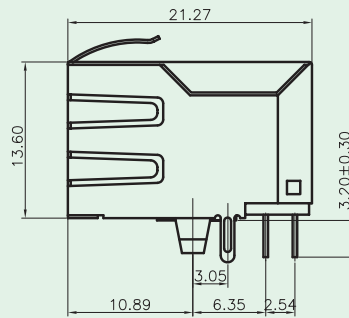
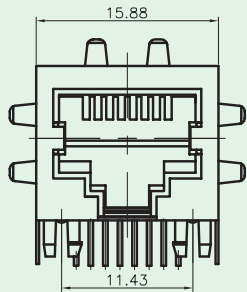
## Ordering Information





# Magnetic PCB Jack 10/100 Base-T( One Port )

**KINSUN**

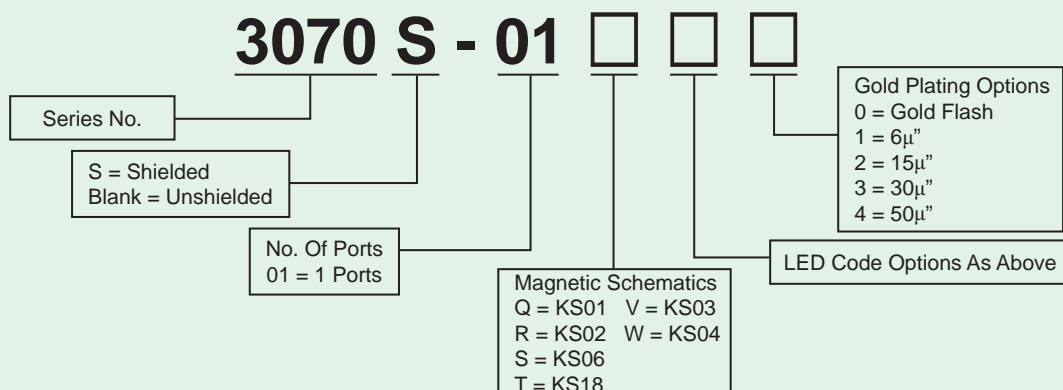


Code	LED 2	LED 1
0	No LED	No LED
1	Yellow	Green
2	Green	Yellow
3	Green	Green
4	Yellow	Yellow

## Materials

- **Shield** : Brass With Nickel Plated.
- **Housing** : Engineering Thermoplastic.  
Flammability Rating UL 94V-0.
- **Contacts** : Phosphor Bronze.
- **Plating** : Gold Plating Over Nickel In Contact.  
Tin Plating Over Nickel In Solder Area.

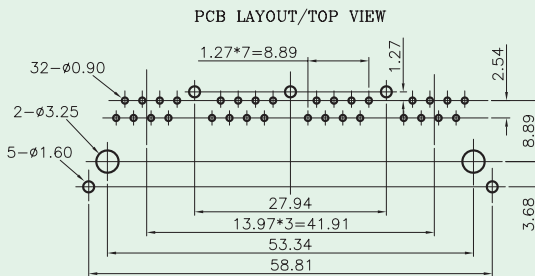
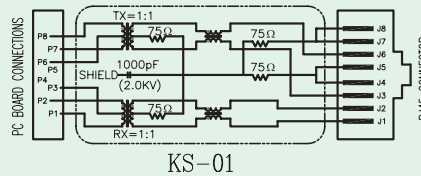
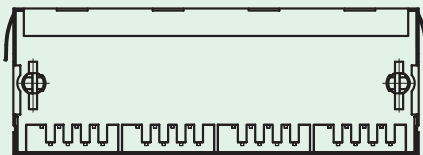
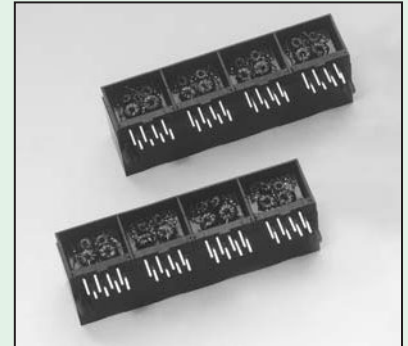
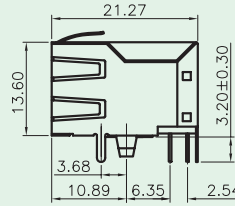
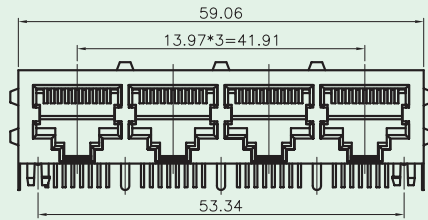
## Ordering Information





# Magnetic PCB Jack 10/100 Base-T ( Four Ports )

**KINSUN**

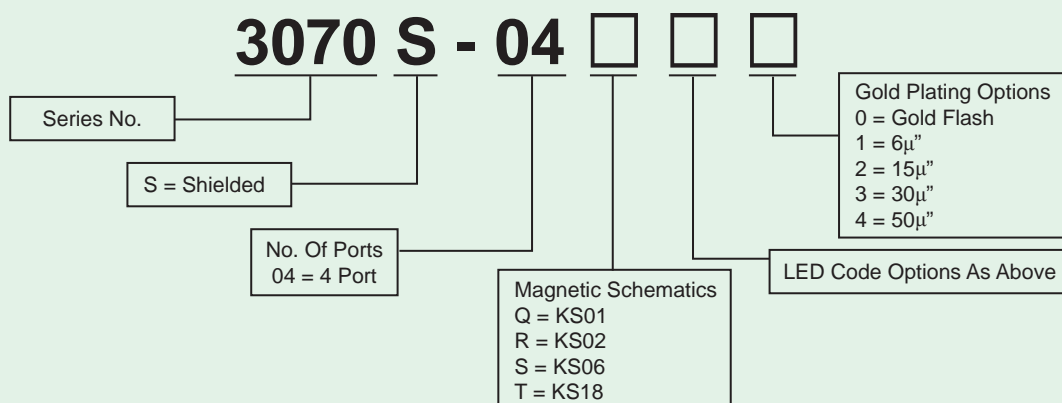


Code	LED 2	LED 1
0	No LED	No LED
1	Yellow	Green
2	Green	Yellow
3	Green	Green
4	Yellow	Yellow

## Materials

- **Shield** : Brass With Nickel Plated.
- **Housing** : Engineering Thermoplastic.  
Flammability Rating UL 94V-0.
- **Contacts** : Phosphor Bronze.
- **Plating** : Gold Plating Over Nickel In Contact.  
Tin Plating Over Nickel In Solder Area.

## Ordering Information

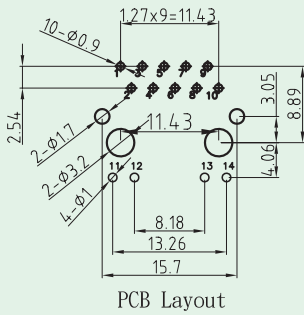
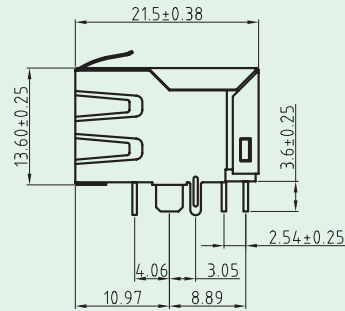
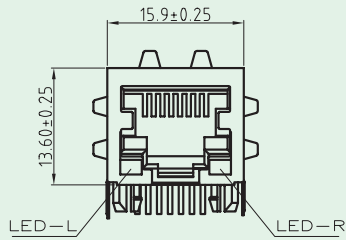




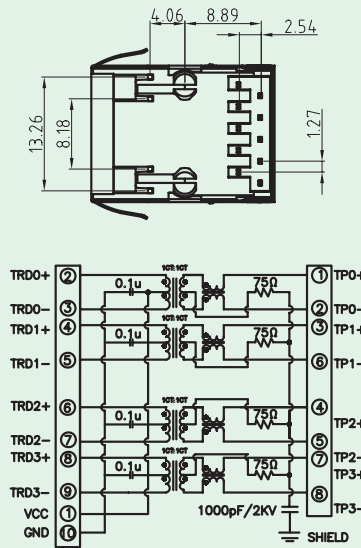
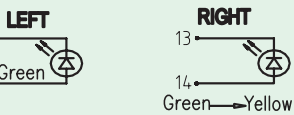
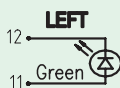


# Magnetic PCB Jack Giga Base-T (One Port)

**KINSUN**



PCB Layout

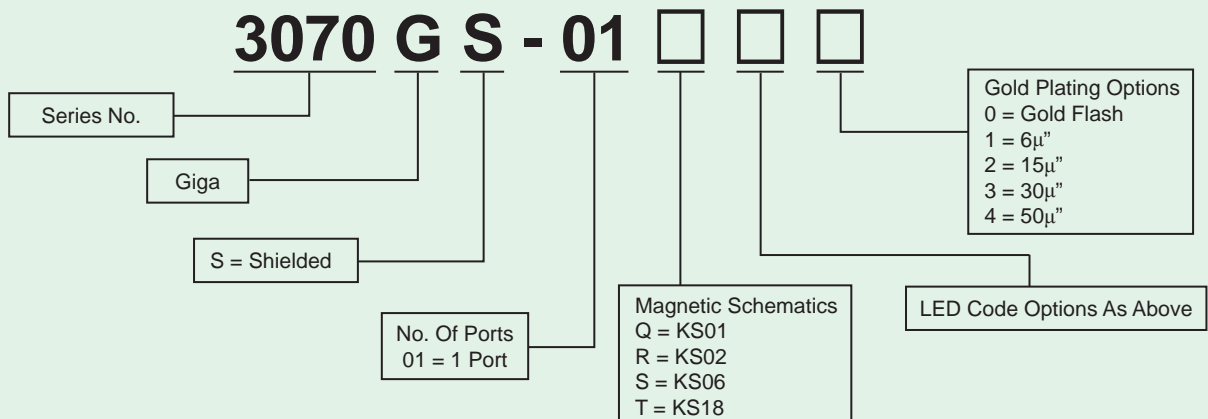


Code	LED 2	LED 1
0	No LED	No LED
1	Yellow	Green
2	Green	Yellow
3	Green	Green
4	Yellow	Yellow

## Materials

- **Shield** : Brass With Nickel Plated.
- **Housing** : Engineering Thermoplastic.  
Flammability Rating UL 94V-0.
- **Contacts** : Phosphor Bronze.
- **Plating** : Gold Plating Over Nickel In Contact.  
Tin Plating Over Nickel In Solder Area.

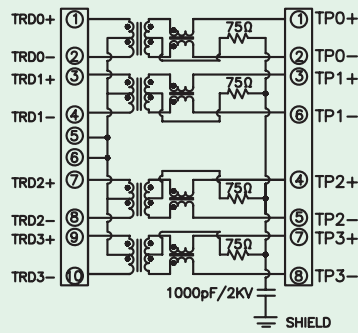
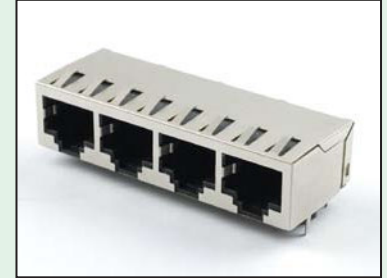
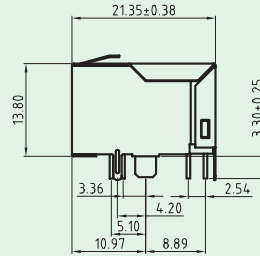
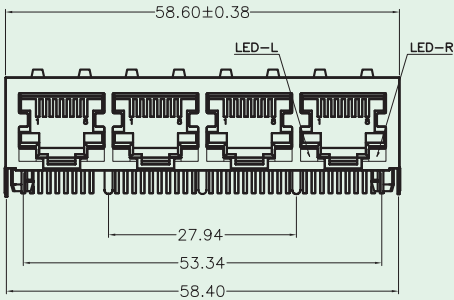
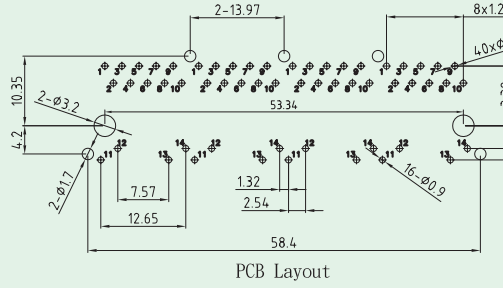
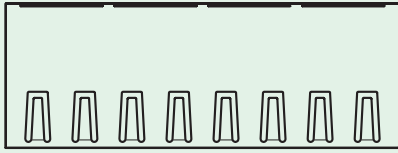
## Ordering Information





# Magnetic PCB Jack Giga Base-T ( Four Ports )

**KINSUN**

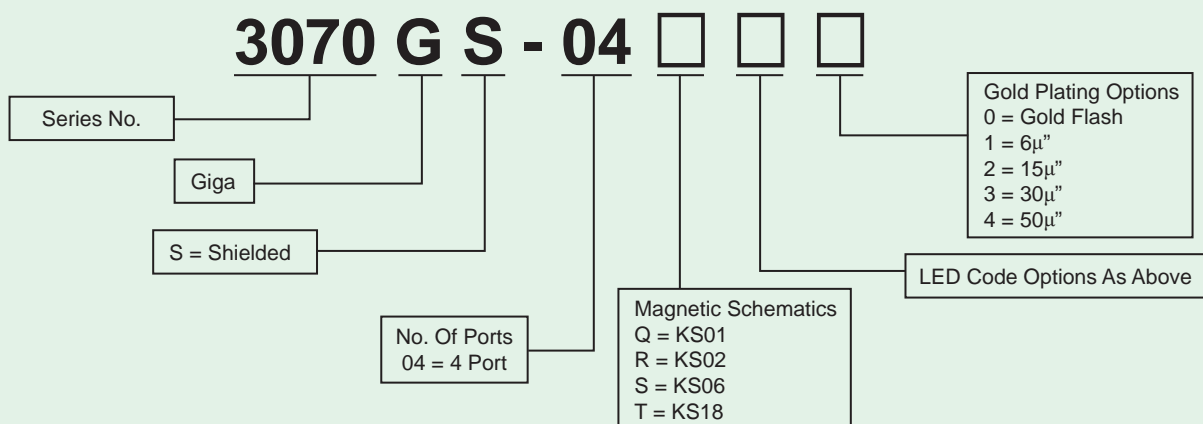


Code	LED 2	LED 1
0	No LED	No LED
1	Yellow	Green
2	Green	Yellow
3	Green	Green
4	Yellow	Yellow

## Materials

- **Shield** : Brass With Nickel Plated.
- **Housing** : Engineering Thermoplastic.  
Flammability Rating UL 94V-0.
- **Contacts** : Phosphor Bronze.
- **Plating** : Gold Plating Over Nickel In Contact.  
Tin Plating Over Nickel In Solder Area.

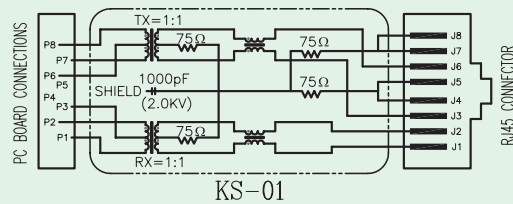
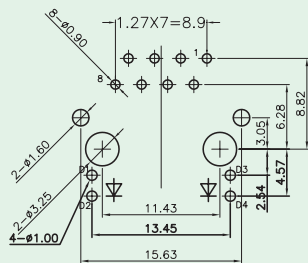
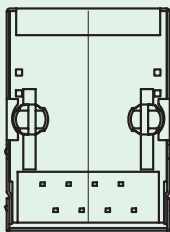
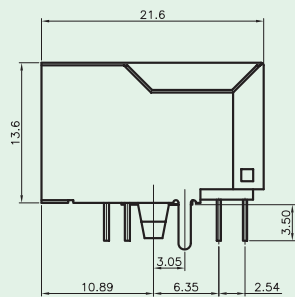
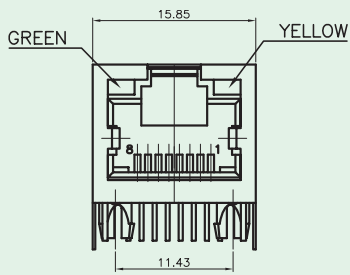
## Ordering Information





# Magnetic PCB Jack Up Latch 10/100 Base-T ( One Port )

**KINSUN**

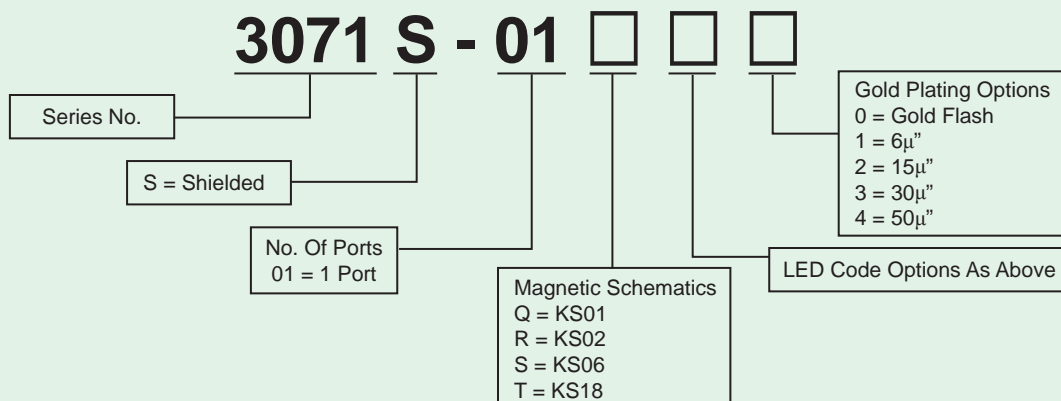


Code	LED 2	LED 1
0	No LED	No LED
1	Yellow	Green
2	Green	Yellow
3	Green	Green
4	Yellow	Yellow

## Materials

- **Shield** : Brass With Nickel Plated.
- **Housing** : Engineering Thermoplastic.  
Flammability Rating UL 94V-0.
- **Contacts** : Phosphor Bronze.
- **Plating** : Gold Plating Over Nickel In Contact.  
Tin Plating Over Nickel In Solder Area.

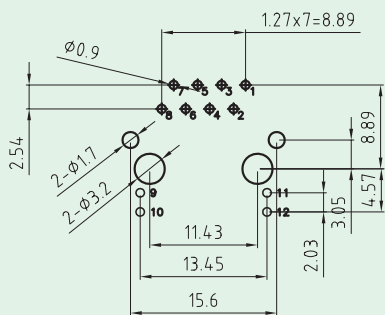
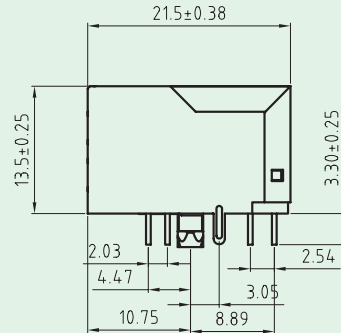
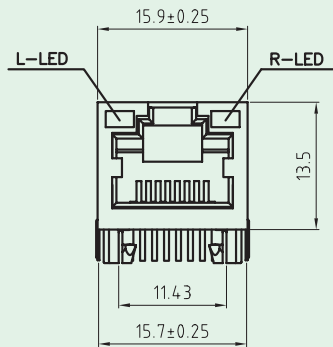
## Ordering Information



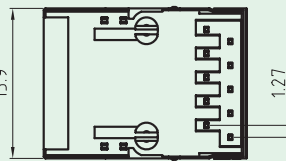


# Magnetic PCB Jack Up Latch Giga Base-T (One Port)

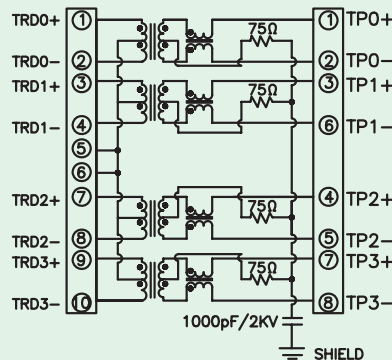
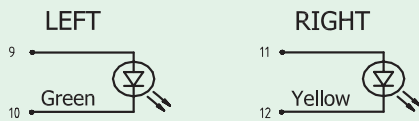
**KINSUN**



PCB Layout



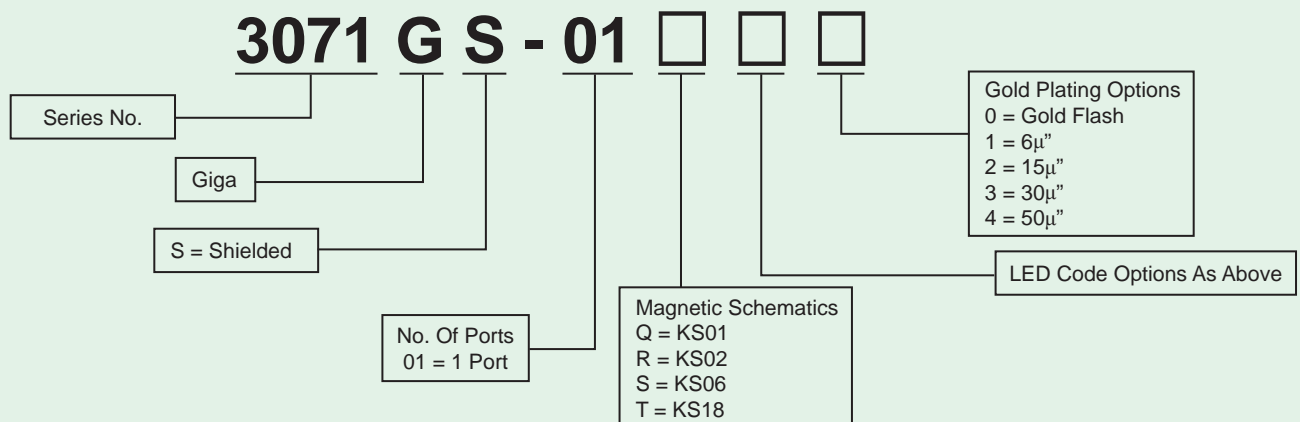
Code	LED 2	LED 1
0	No LED	No LED
1	Yellow	Green
2	Green	Yellow
3	Green	Green
4	Yellow	Yellow



## Materials

- **Shield** : Brass With Nickel Plated.
- **Housing** : Engineering Thermoplastic.  
Flammability Rating UL 94V-0.
- **Contacts** : Phosphor Bronze.
- **Plating** : Gold Plating Over Nickel In Contact.  
Tin Plating Over Nickel In Solder Area.

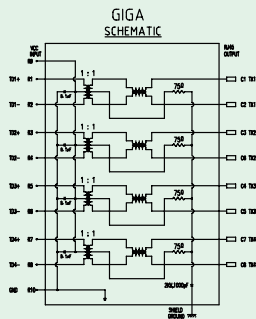
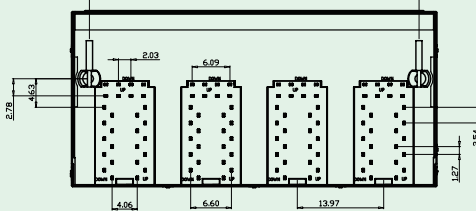
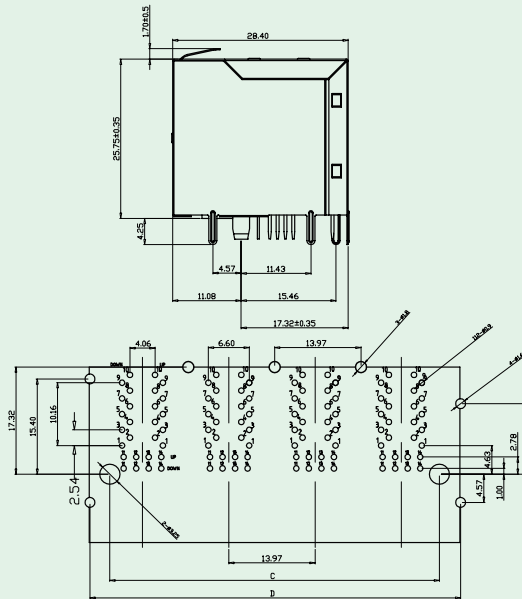
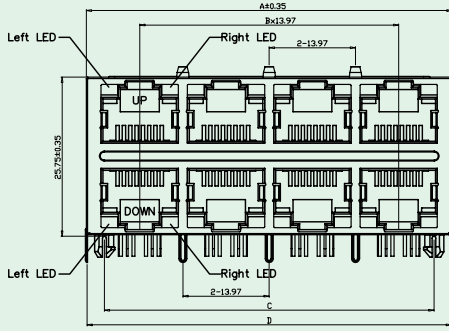
## Ordering Information



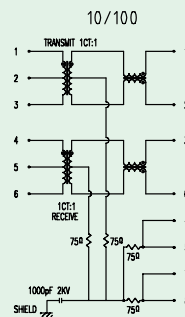


# Magnetic Double-Level PCB Jack With LED

**KINSUN**



	A	B	C	D
2 x 1 ports	17.20	0	11.43	17.00
2 x 4 ports	59.18	3	53.34	58.92
2 x 6 ports	87.12	5	81.28	86.92
2 x 8 ports	115.06	7	109.22	114.86

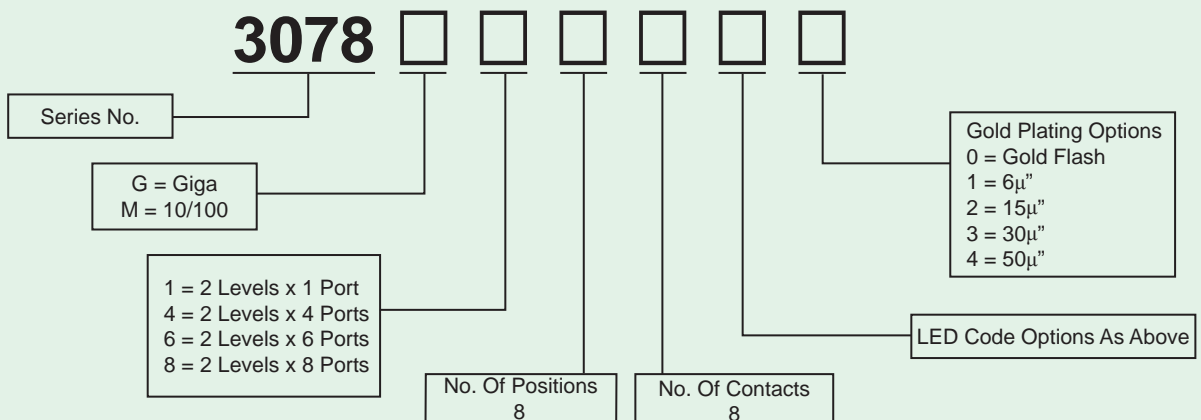


Code	LED 2	LED 1
0	No LED	No LED
1	Yellow	Green
2	Green	Yellow
3	Green	Green
4	Yellow	Yellow

## Materials

- **Shield** : Brass With Nickel Plated.
- **Housing** : Engineering Thermoplastic.  
Flammability Rating UL 94V-0.
- **Contacts** : Phosphor Bronze.
- **Plating** : Gold Plating Over Nickel In Contact Area.  
Tin Plating Over Nickel In Solder Area.

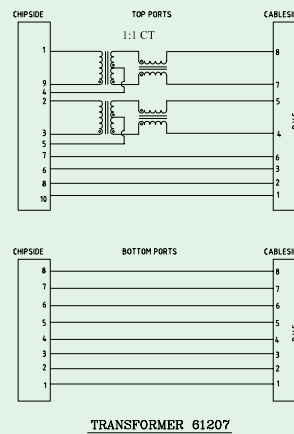
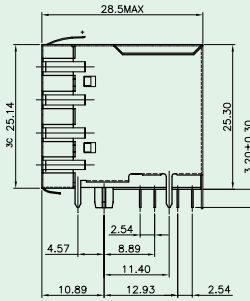
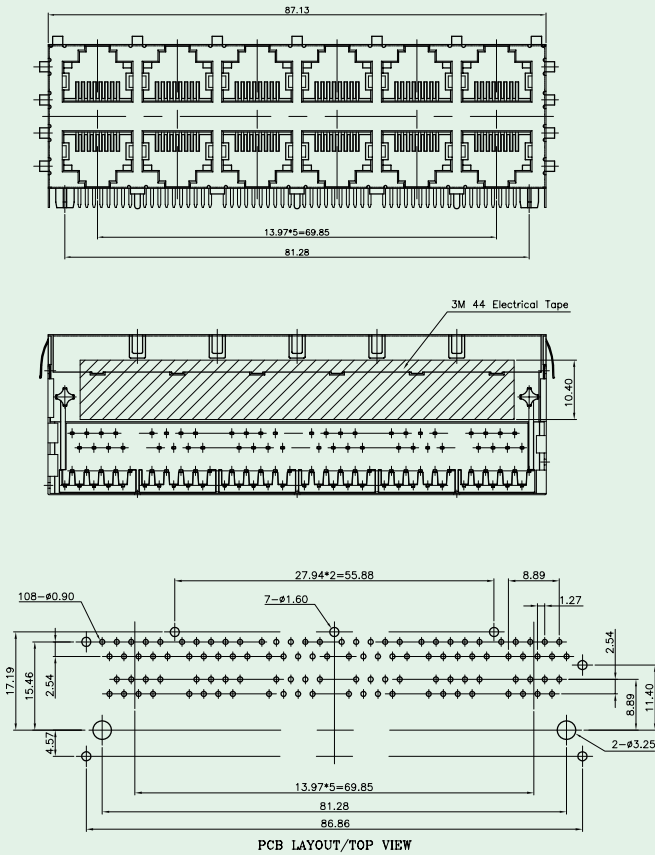
## Ordering Information





# Magnetic Double-Level PCB Jack

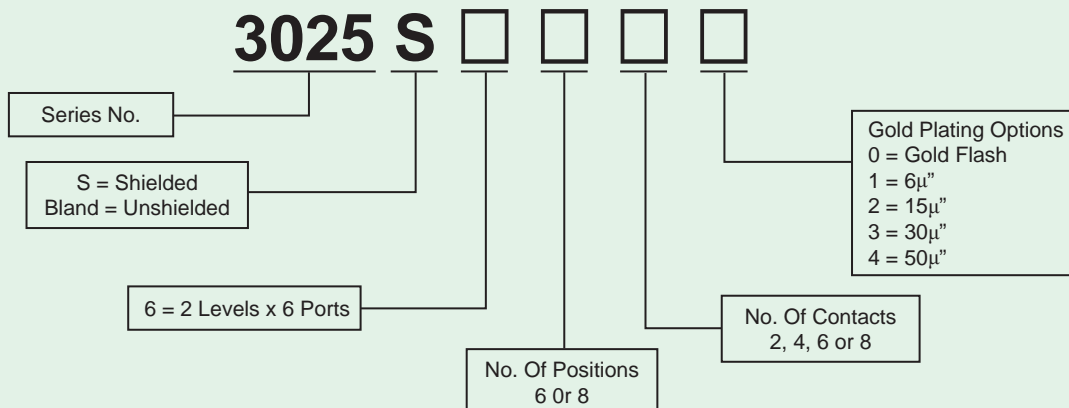
**KINSUN**



## Materials

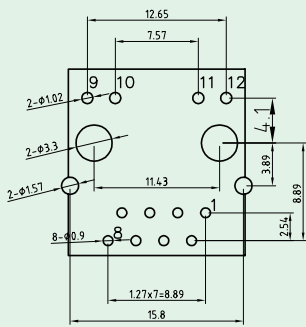
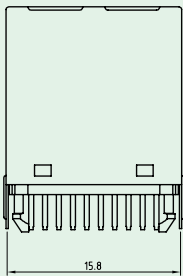
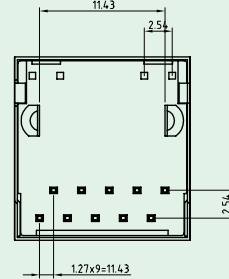
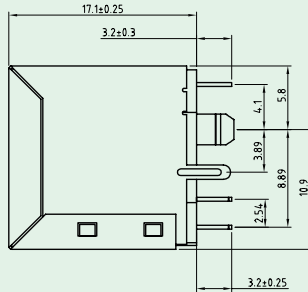
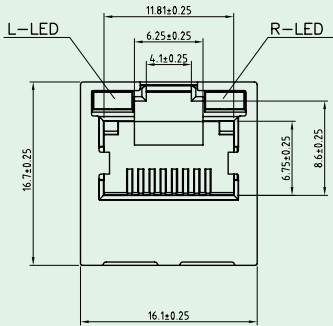
- **Shield** : Brass With Nickel Plated.
- **Housing** : Engineering Thermoplastic.  
Flammability Rating UL 94V-0.
- **Contacts** : 0.35mm Thickness Phosphor Bronze.
- **Plating** : Gold Plating Over Nickel In Contact Area.  
Tin Plating Over Nickel In Solder Area.

## Ordering Information

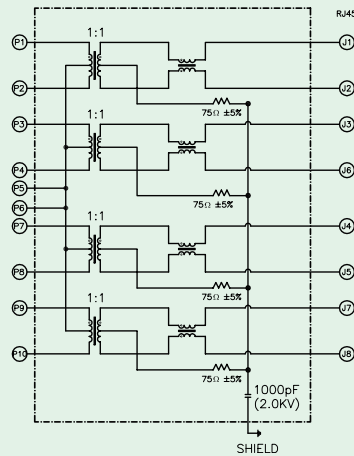




# Magnetic Top Entry PCB Jack With LED



PCB Layout

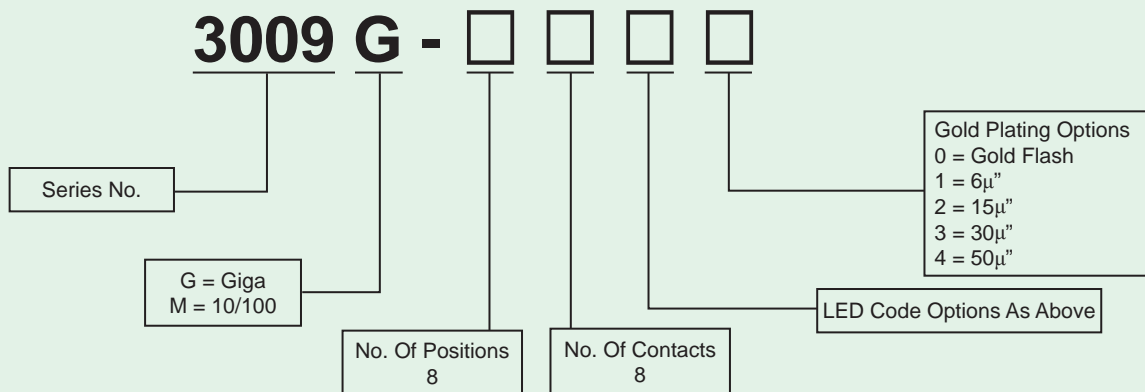


Code	LED 2	LED 1
0	No LED	No LED
1	Yellow	Green
2	Green	Yellow
3	Green	Green
4	Yellow	Yellow

## Materials

- **Housing** : Engineering Thermoplastic.  
Flammability Rating UL 94V-0.
- **Contacts** : Phosphor Bronze.
- **Plating** : Gold Plating Over Nickel In Contact Area.  
Tin Plating Over Nickel In Solder Area.
- **Shield** : Brass With Nickel Alloy.

## Ordering Information





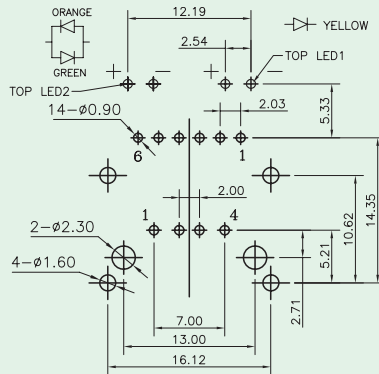
# Magnetic Jack With USB

**KINSUN**

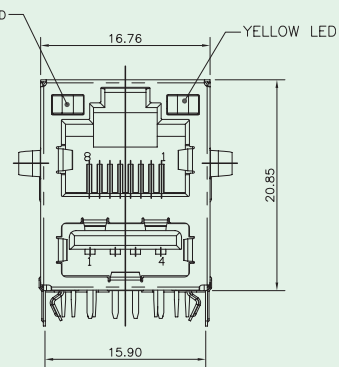
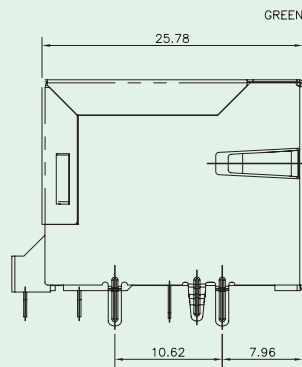
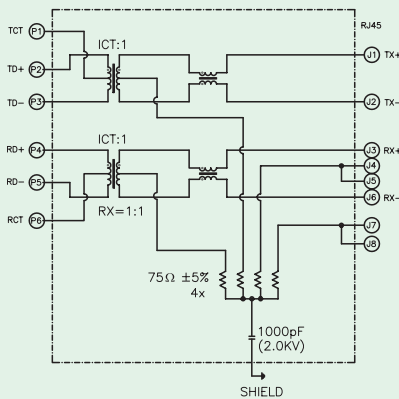
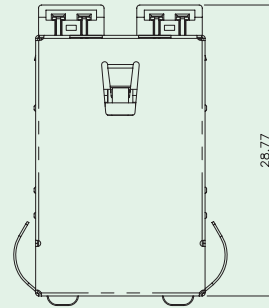


## ELECTRICAL CHARACTERISTICS @ 25°C

<p> <b>URNS RATIO</b>            TX            RX            OCL: @100KHz/100mVRMS            8mA DC BLAS            INS. LOSS            1MHz TO 100MHz            RET.LOSS(MIN)            1MHz-30MHz            30MHz-60MHz            60MHz-80MHz            CROSS TALK (TX - RX)            50KHz-100MHz            CM TO CM REJ            100KHz-100MHz            CM TO DM REJ            100KHz-100MHz            HIPOT (Isolation voltage): 1500Vrms         </p>	<p>           ICT: 1            ICT: 1            350uH MIN            -1.0dB MAX            -18dB            -18+200LOG(F/30MHz)dB            -12dB            -35dB MIN            -30dB MIN            -40dB MIN         </p>
---	--



PCB LAYOUT/TOP VIEW



## Materials

- **Housing** : Engineering Thermoplastic.  
Flammability Rating UL 94V-0.
- **Contacts** : Phosphor Bronze.
- **Plating** : Gold Plating Over Nickel In Contact Area.  
Tin Plating Over Nickel In Solder Area.

## Ordering Information

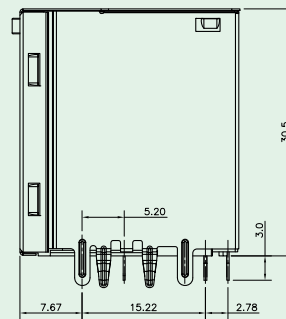
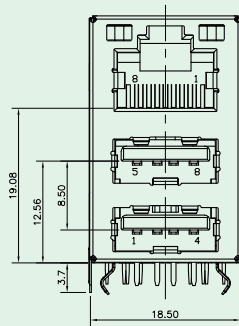
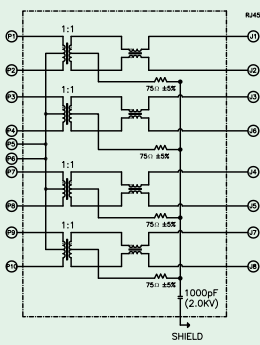
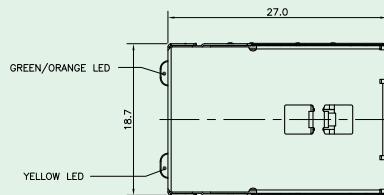
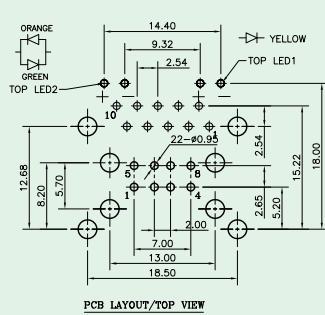
**3500**





# Magnetic Jack With Stacked USB

**KINSUN**



## Materials

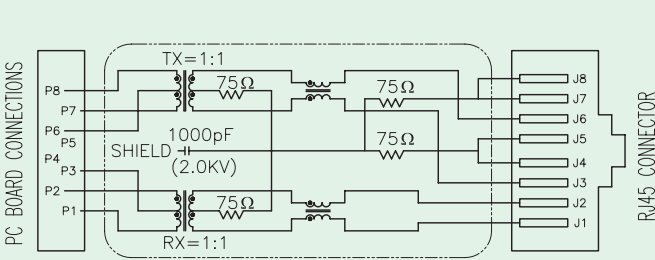
- **Housing** : Engineering Temp. Thermoplastic.  
Flammability Rating UL 94V-0.
- **Contacts** : Phosphor Bronze.
- **Plating** : Gold Plating Over Nickel In Contact.  
Tin Plating Over Nickel In Solder Area.

## Ordering Information

**3501**

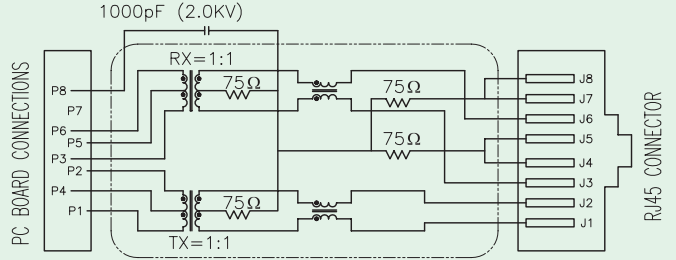


# Magnetic Schematics 10/100 Base-T



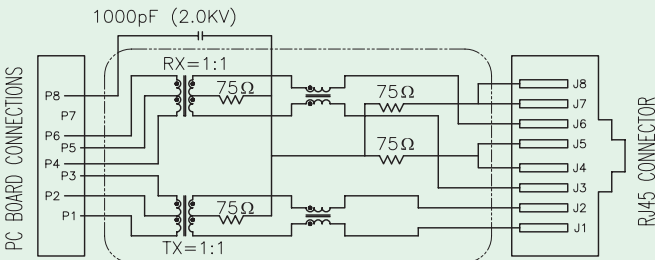
**KS-01**

P1-P3-P2, J1-J2  
P7-P6-P8, J3-J6



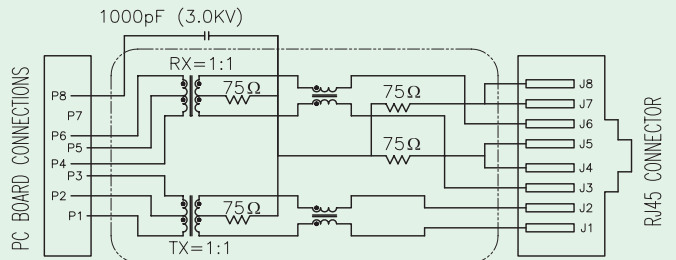
**KS-06**

P1-P4-P2, J1-J2  
P3-P5-P6, J3-J6



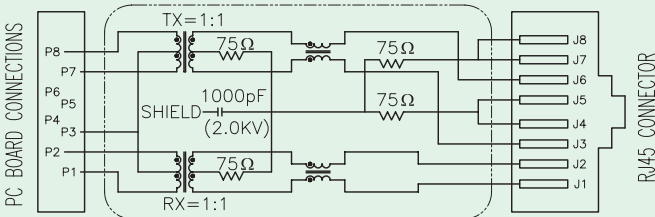
**KS-02**

P1-P2-P3, J1-J2  
P4-P5-P6, J3-J6



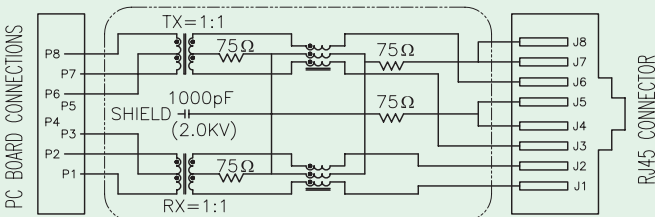
**KS-18**

P1-P2-P3, J1-J2  
P4-P5-P6, J3-J6



**KS-03**

P1-P3-P2, J1-J2  
P7-P3-P8, J3-J6



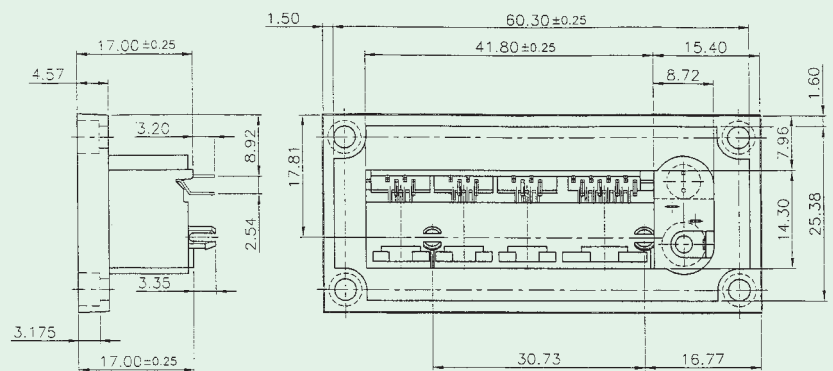
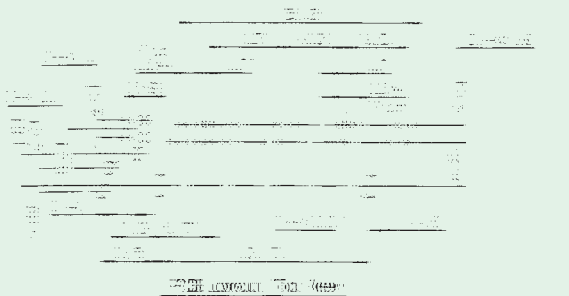
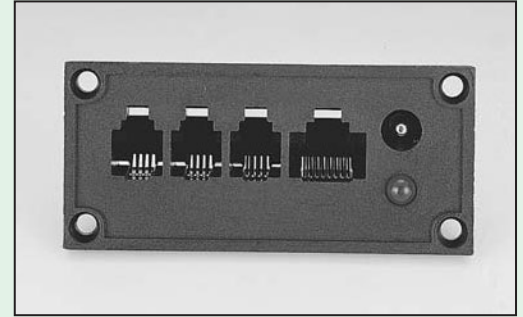
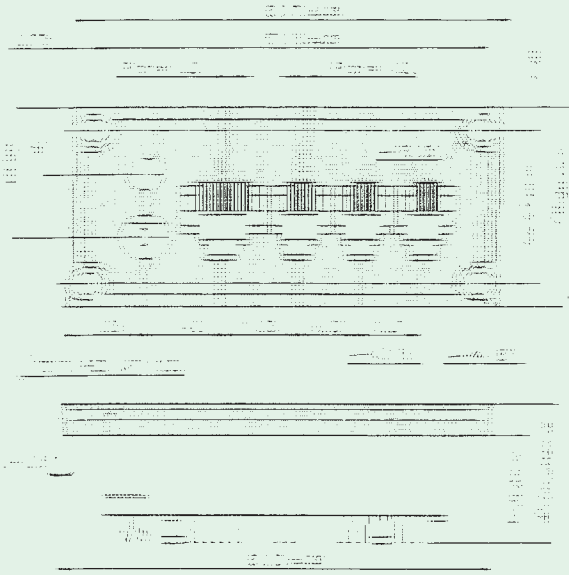
**KS-04**

P1-P3-P2, J1-J2  
P7-P6-P8, J3-J6



## Modular + Power Jack

**KINSUN**



### Materials

- **Housing** : Engineering Thermoplastic.  
Flammability Rating UL 94V-0.
- **Contacts** : Phosphor Bronze.
- **Plating** : Gold Plating Over Nickel In Contact Area.  
Tin Plating Over Nickel In Solder Area.

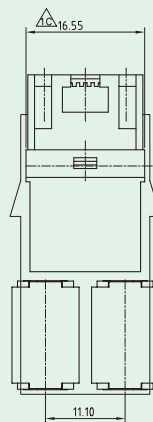
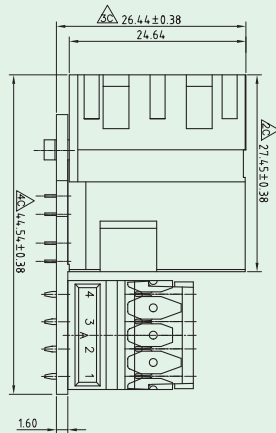
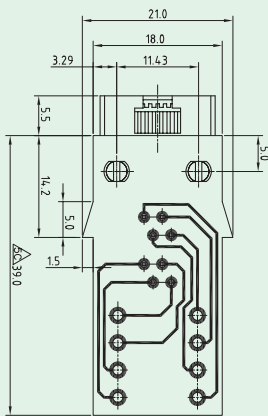
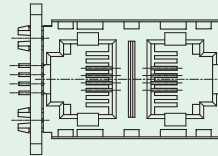
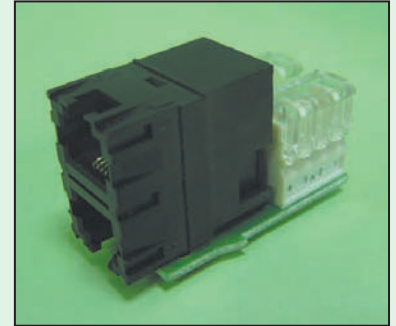
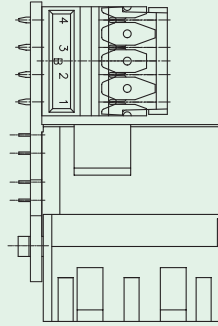
### Ordering Information

## 3040 Series

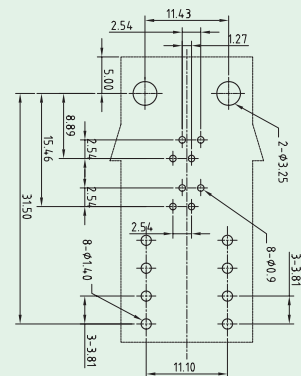


# PCB Jack ( 6P6C ) + IDC

**KINSUN**



PCB LAYOUT / TOP VIEW



## Materials

- **Housing** : Engineering Thermoplastic.  
Flammability Rating UL 94V-0.
- **Contacts** : Phosphor Bronze.
- **Plating** : Gold Plating Over Nickel In Contact.  
Tin Plating Over Nickel In Solder Area.

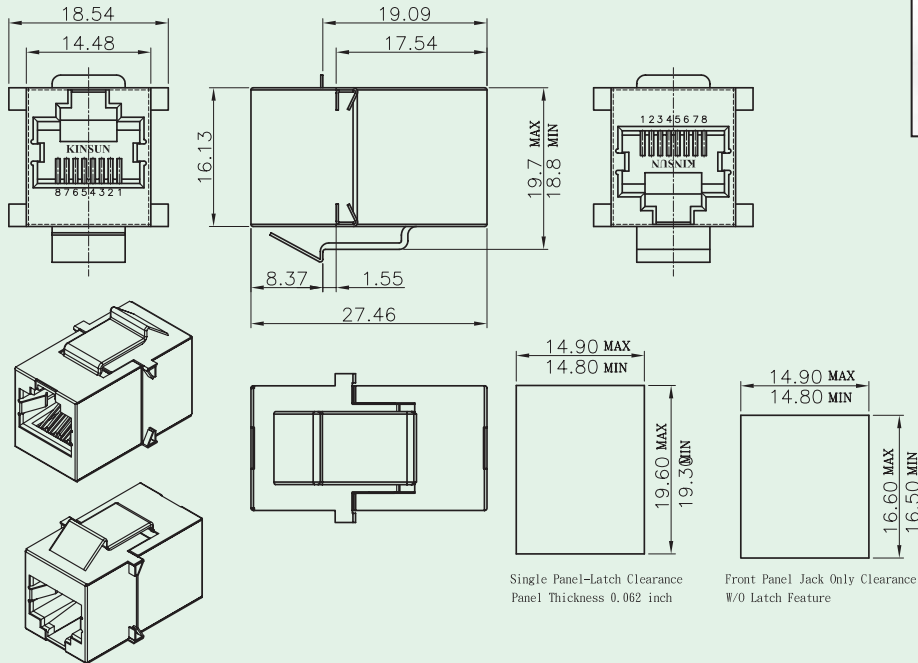
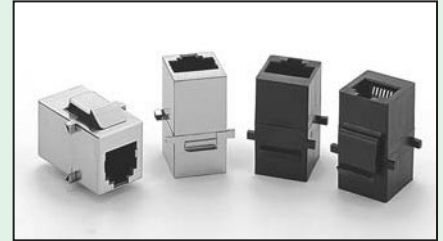
## Ordering Information

**3041220100**



# Modular Coupler Jack (CAT.3 or CAT.5e or CAT.6a)

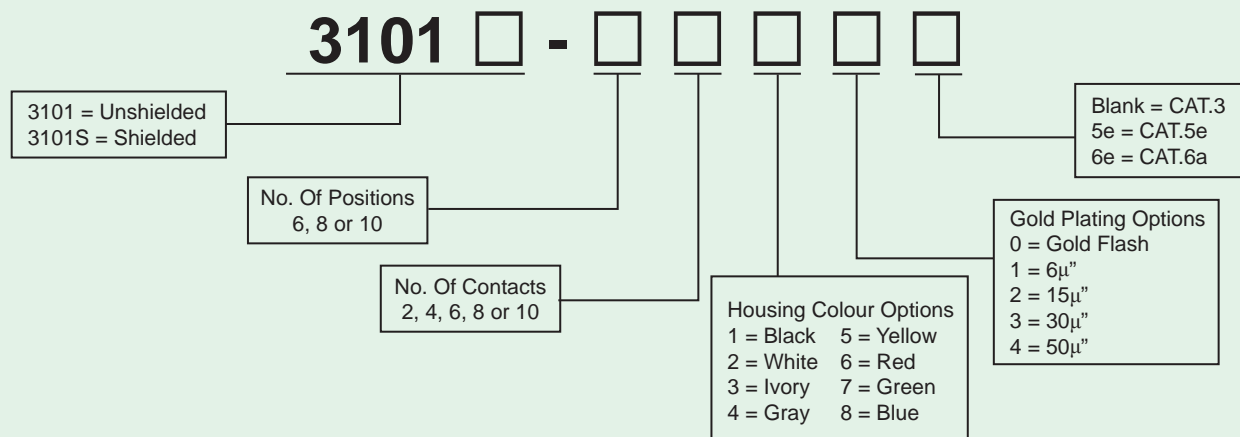
**KINSUN**



## Materials

- **Shield** : Stainless Steel.
- **Housing** : Engineering Thermoplastic.  
Flammability Rating UL 94V-0.
- **Contacts** : Phosphor Bronze.
- **Plating** : Gold Plating Over Nickel In Contact.

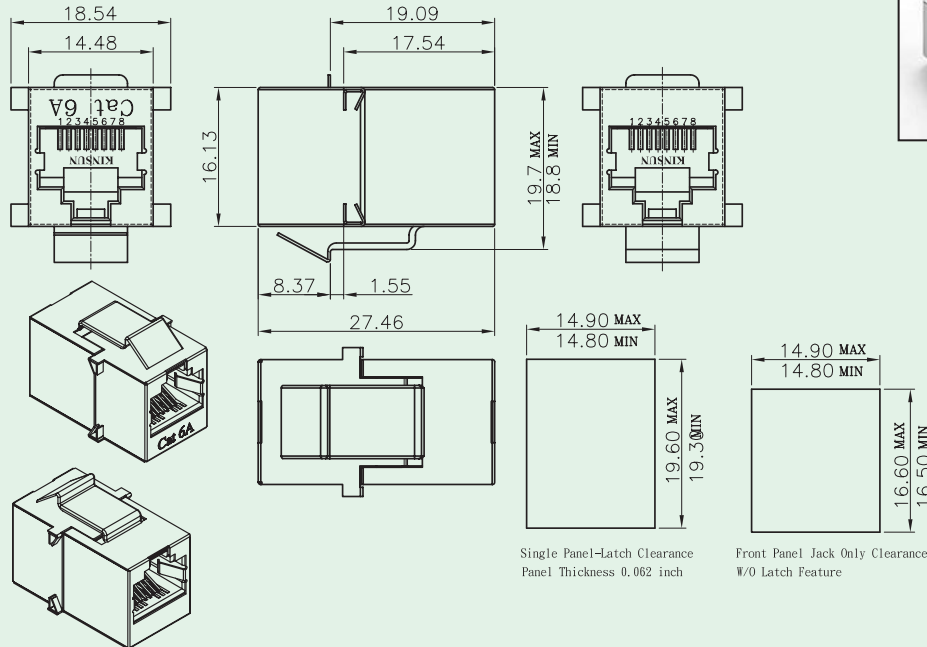
## Ordering Information





# Coupler Jack With PCB (CAT.5e or CAT.6a)

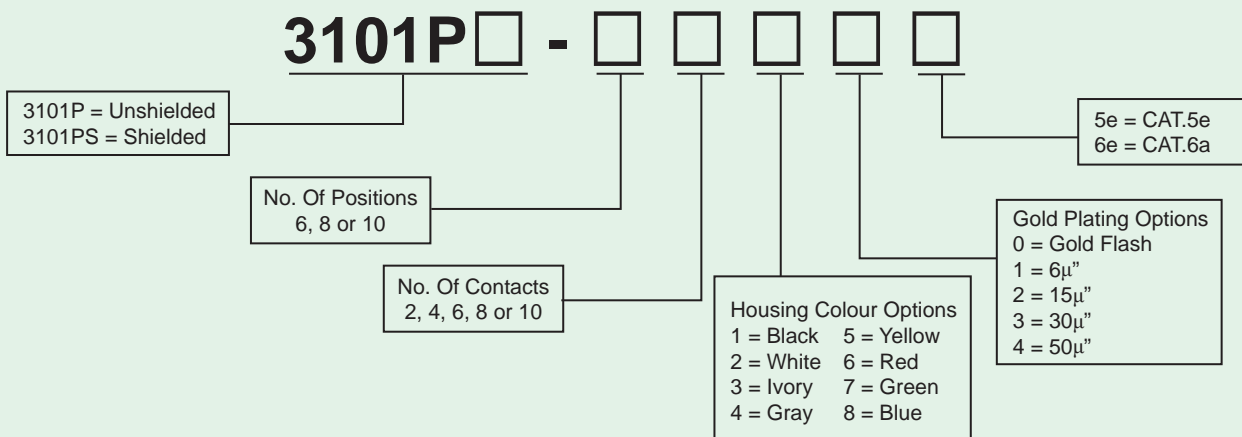
**KINSUN**



## Materials

- **Shield** : Stainless Steel.
- **Housing** : Engineering Thermoplastic.  
Flammability Rating UL 94V-0.
- **Contacts** : Phosphor Bronze.
- **Plating** : Gold Plating Over Nickel In Contact.

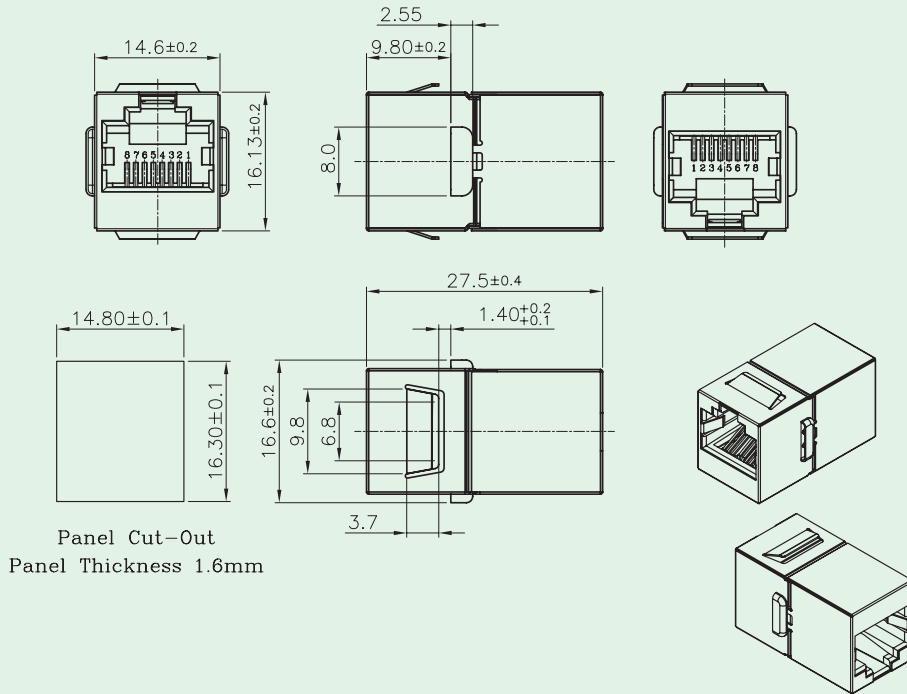
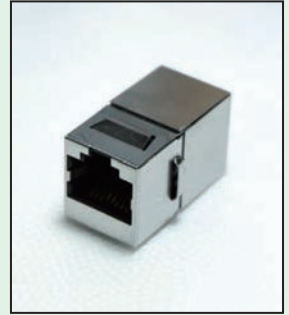
## Ordering Information





# Coupler Jack With Clip (CAT.3 or CAT.5e or CAT.6a)

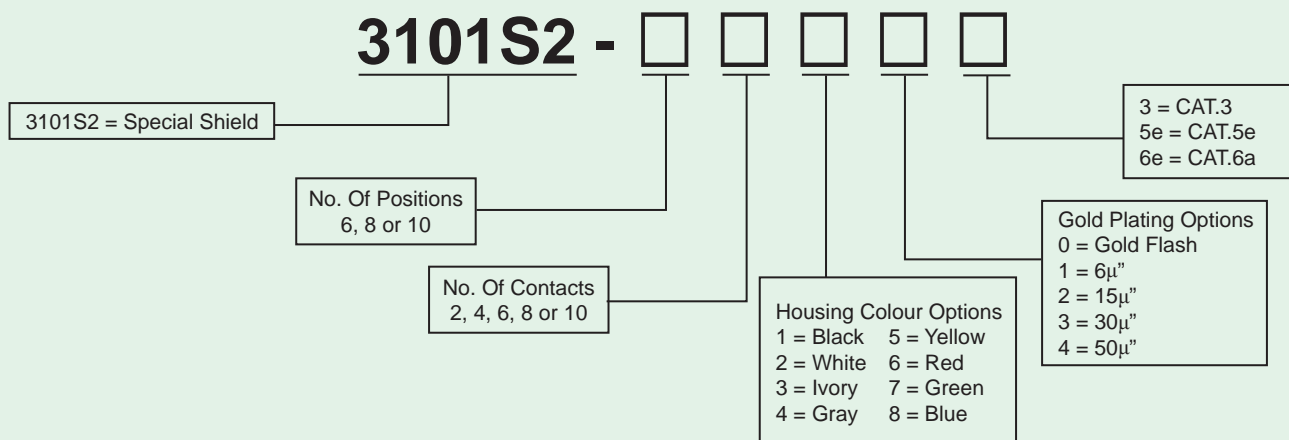
**KINSUN**



## Materials

- **Shield** : Stainless Steel.
- **Housing** : Engineering Thermoplastic.  
Flammability Rating UL 94V-0.
- **Contacts** : Phosphor Bronze.
- **Plating** : Gold Plating Over Nickel In Contact.

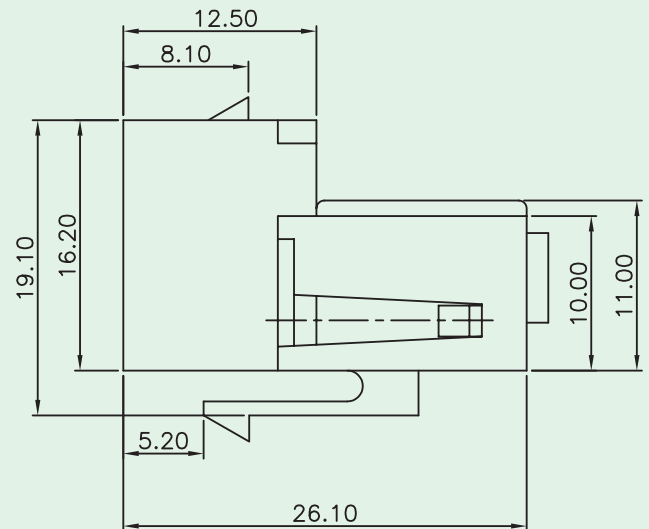
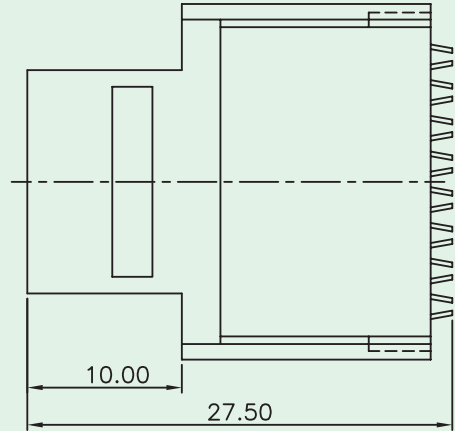
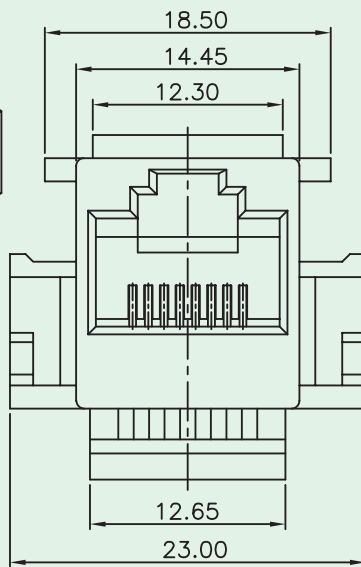
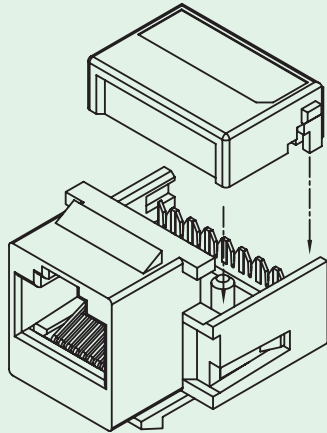
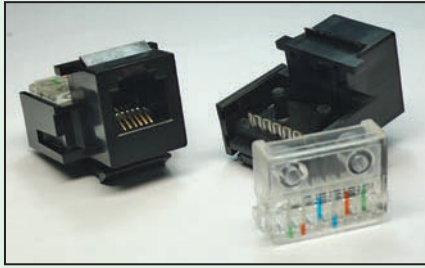
## Ordering Information





# Keystone Jack (Crimp Type Cover)

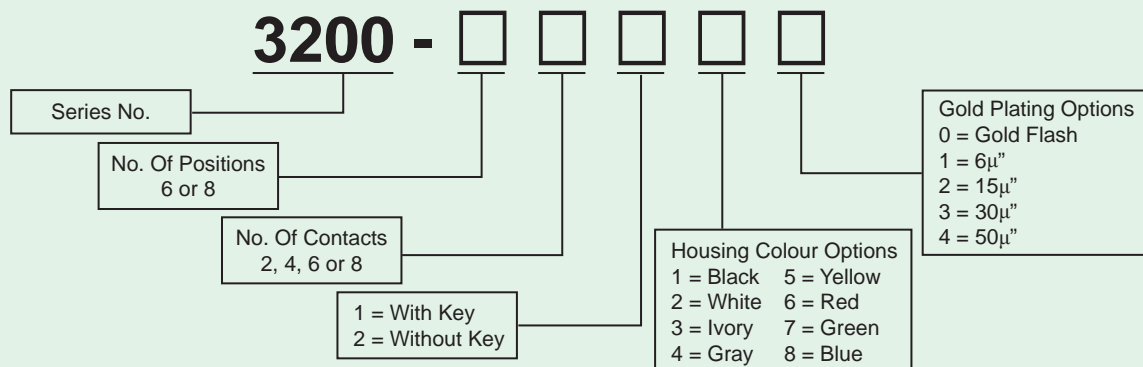
**KINSUN**



## Materials

- **Housing** : Engineering Thermoplastic.  
Flammability Rating UL 94V-0.
- **Contacts** : 0.40mm Thickness Phosphor Bronze.
- **Plating** : Gold Plating Over Nickel In Contact Area.

## Ordering Information



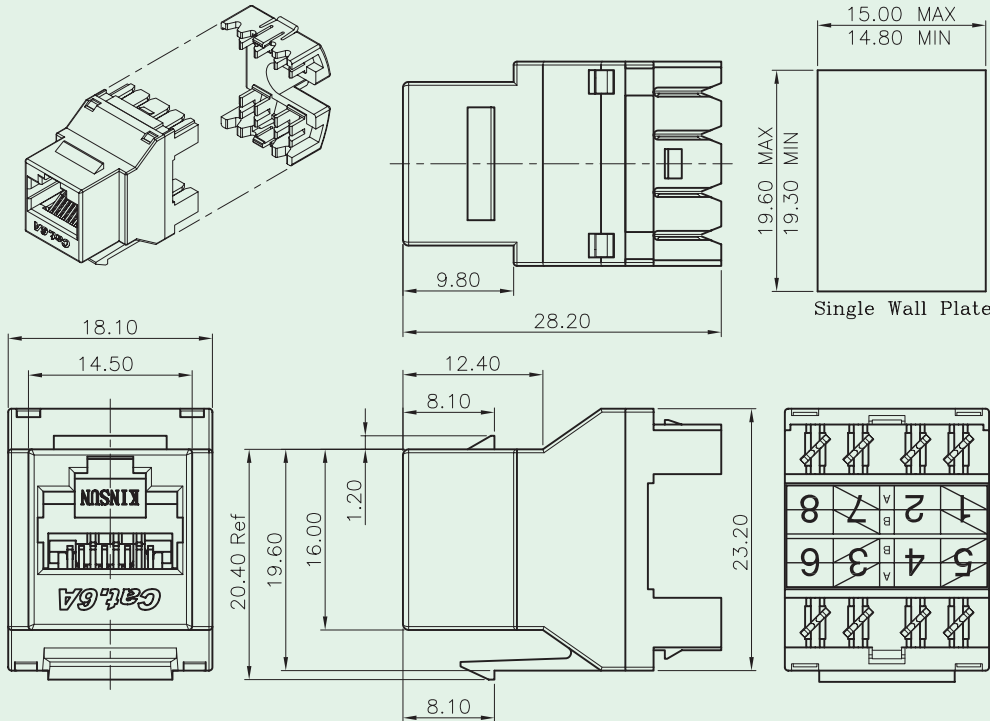
(Taiwan Patent)





# Keystone Jack (CAT.6a, Unshielded Type)

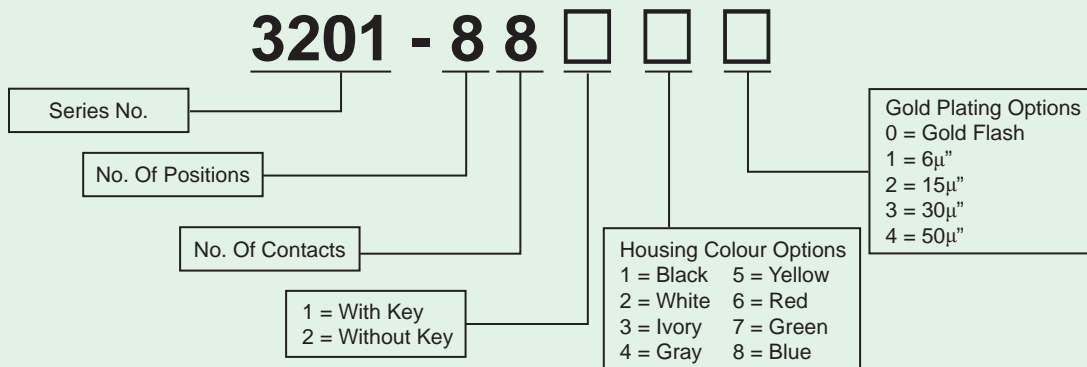
**KINSUN**



## Materials

- **Housing** : Engineering Thermoplastic.  
Flammability Rating UL 94V-0.
- **Contacts** : 0.40mm Thickness Phosphor Bronze.
- **Plating** : Gold Plating Over Nickel In Contact Area.

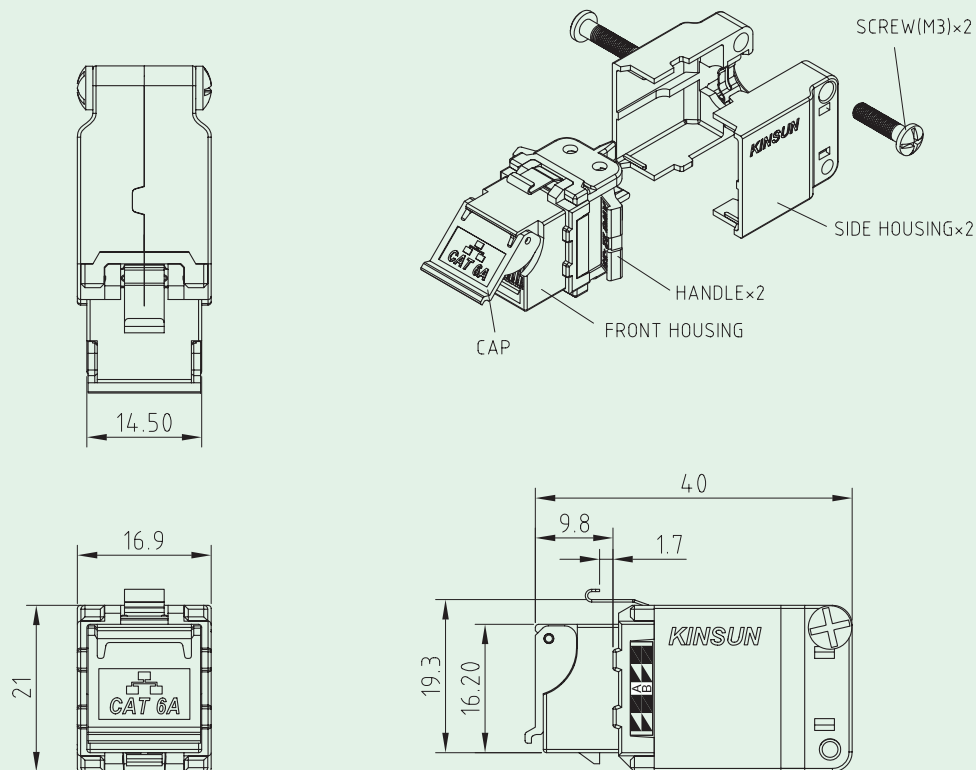
## Ordering Information





# Keystone Jack ( CAT.6a Tool-Free Type )

**KINSUN**



## Materials

- **Housing** : Zinc Die-Casting With Nickel Plated.
- **Handle** : Engineering Plastics.
- **Contacts** : 0.30mm Thickness Phosphor Bronze.
- **Plating** : Gold Plating Over Nickel In Contact Area.

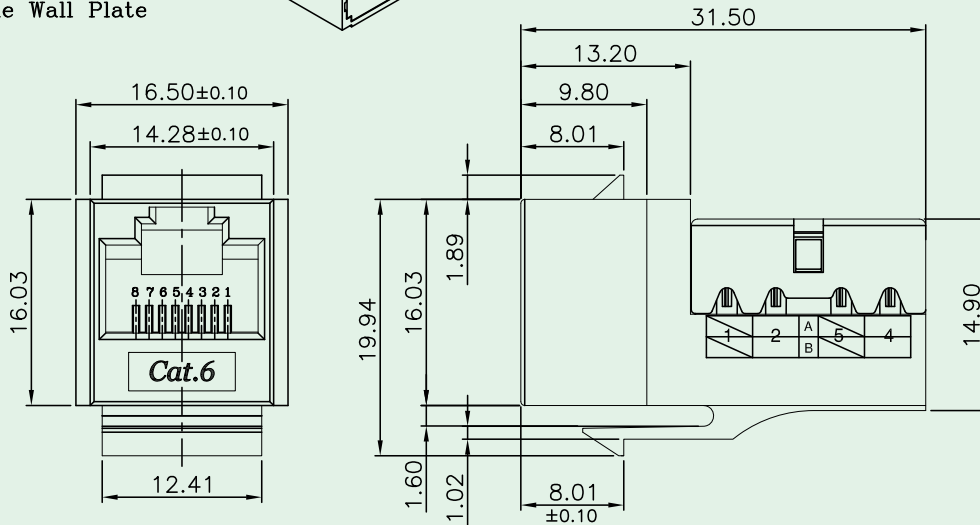
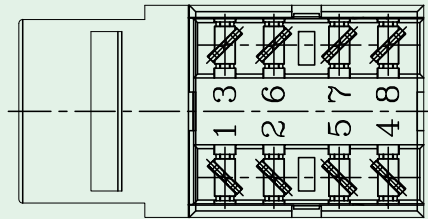
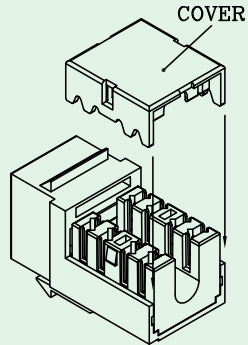
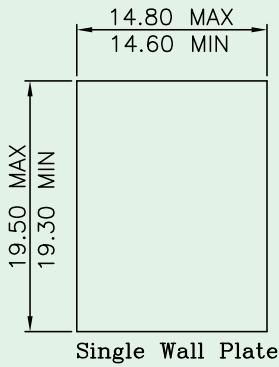
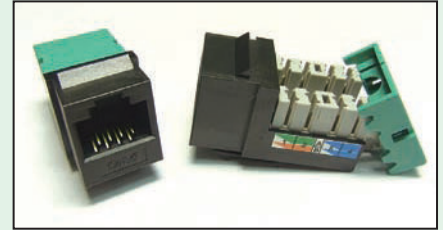
## Ordering Information

### 3202 Series



# Keystone Jack (CAT.6 Unshielded Type)

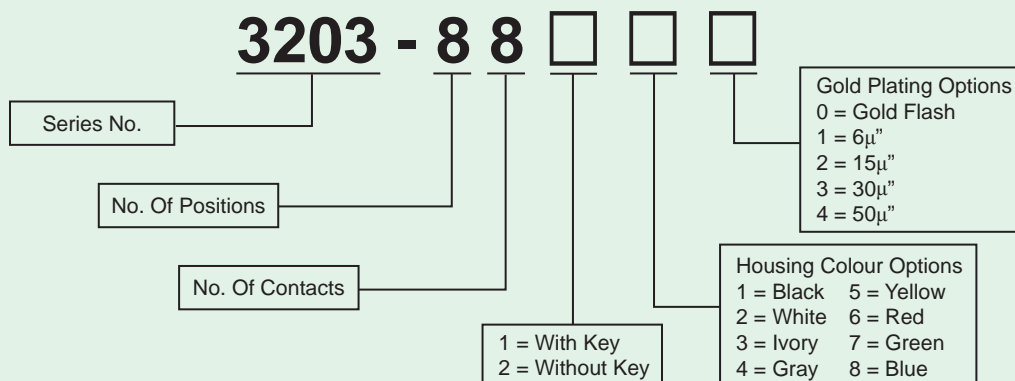
**KINSUN**



## Materials

- **Housing** : Engineering Thermoplastic.  
Flammability Rating UL 94V-0.
- **Contacts** : Phosphor Bronze.
- **Plating** : Gold Plating Over Nickel In Contact Area.
- **Wiring** : Insulation Displacement (IDC) Accommodates 22 To 26 AWG/Solid.

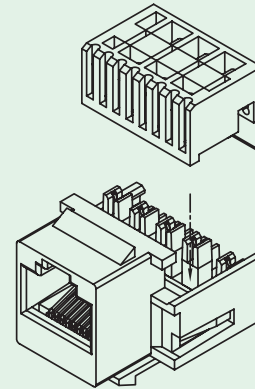
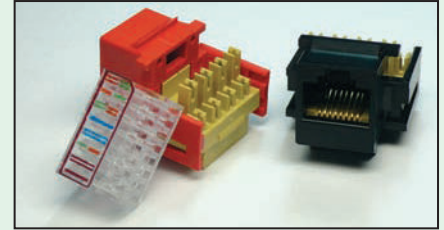
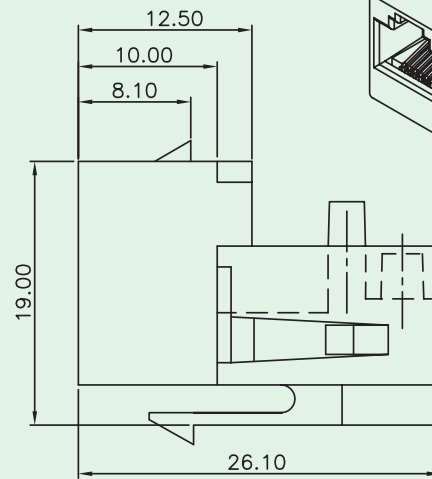
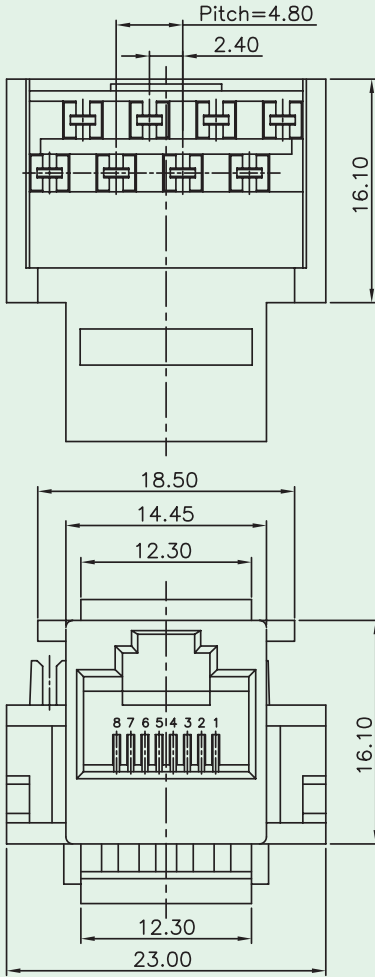
## Ordering Information





# Keystone Jack (Through Hole Type Cover)

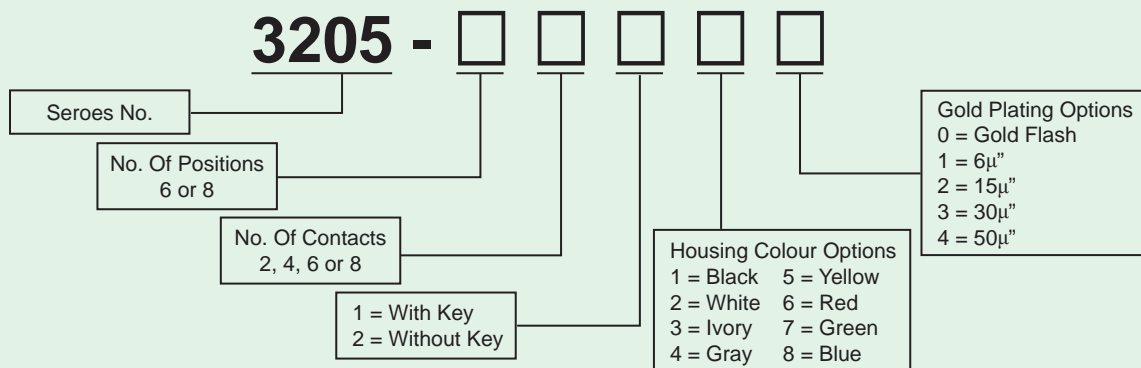
# KINSUN



## Materials

- **Housing** : Engineering Thermoplastic.  
Flammability Rating UL 94V-0.
- **Contacts** : 0.40mm Thickness Phosphor Bronze.
- **Plating** : Gold Plating Over Nickel In Contact Area.

## Ordering Information

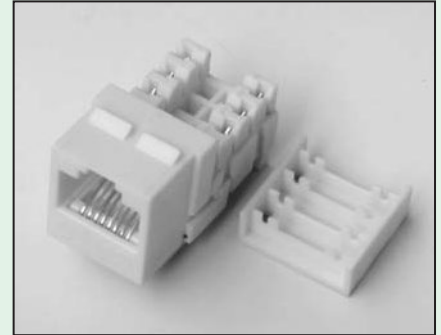
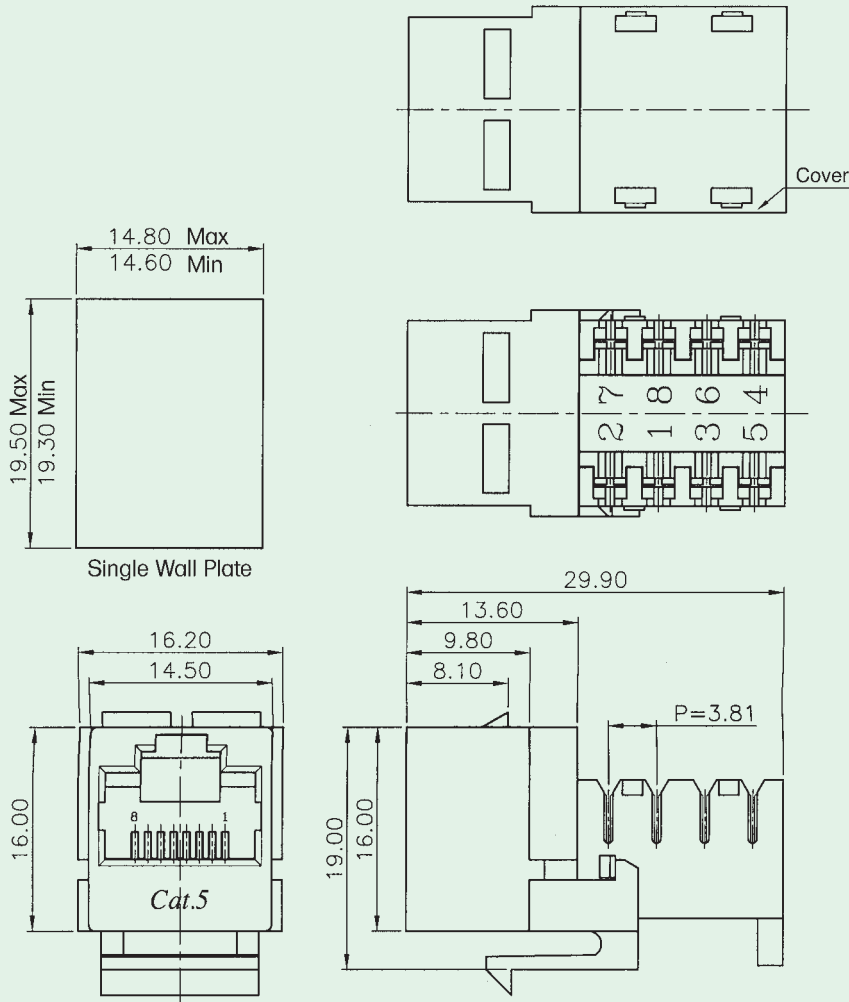


(Taiwan Patent)



# Keystone Jack (CAT.5e, Unshielded Type)

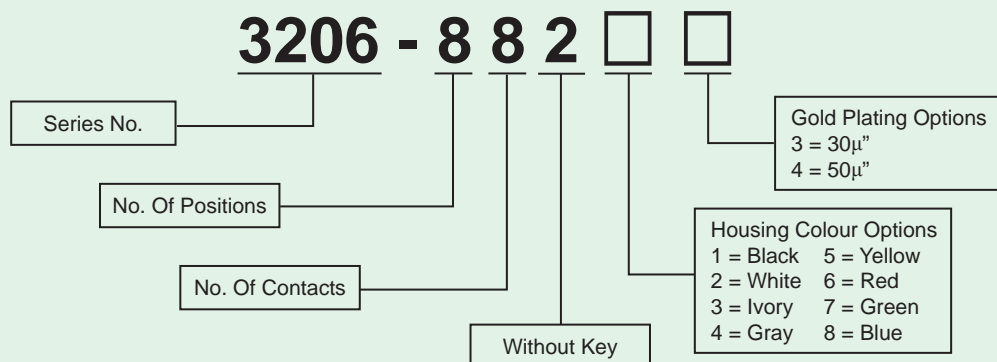
**KINSUN**



## Materials

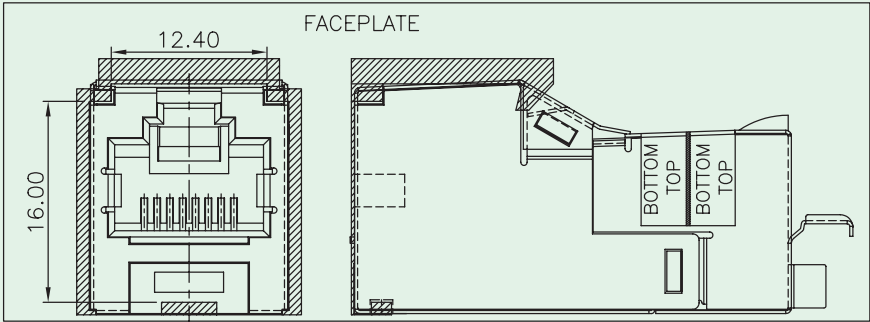
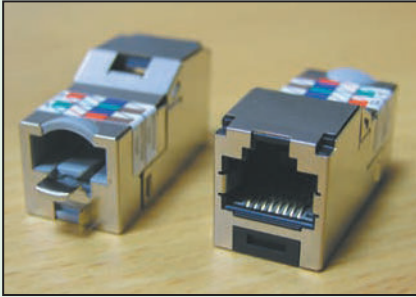
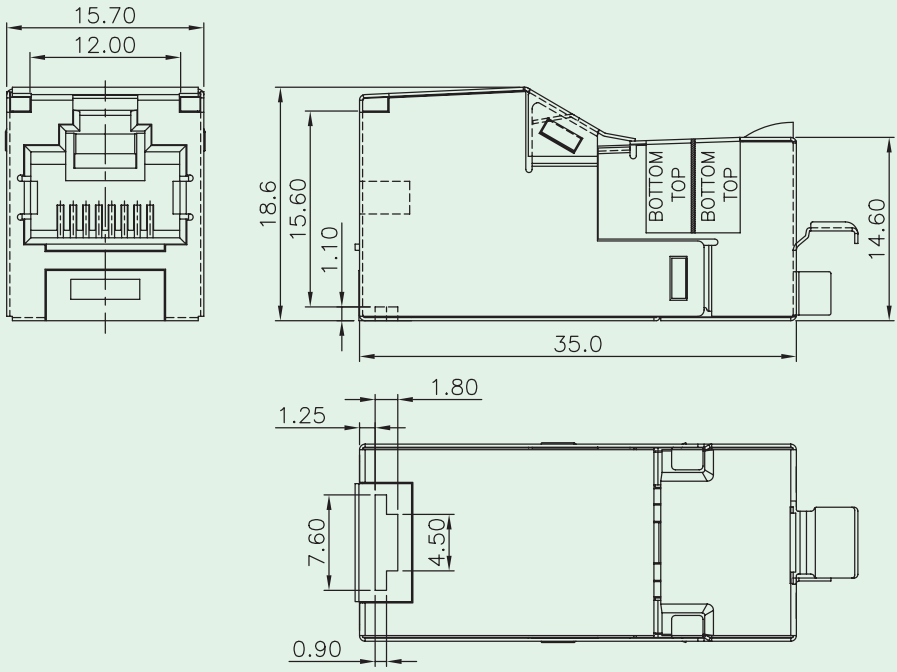
- **Housing** : Engineering Thermoplastic.  
Flammability Rating UL 94V-0.
- **Contacts** : Phosphor Bronze.
- **Plating** : Gold Plating Over Nickel In Contact Area.

## Ordering Information





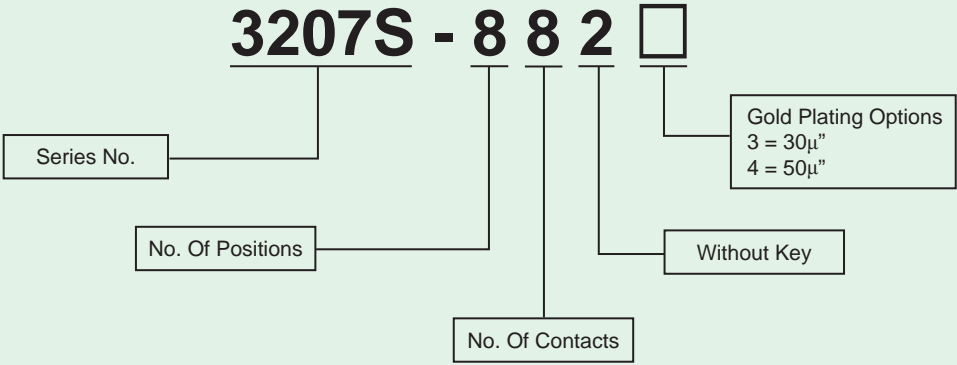
# Keystone Jack ( CAT.5e, Shielded Type )



## Materials

- **Housing** : Engineering Thermoplastic.  
Flammability Rating UL 94V-2.
- **Contacts** : Phosphor Bronze.
- **Plating** : Gold Plating Over Nickel In Contact Area.

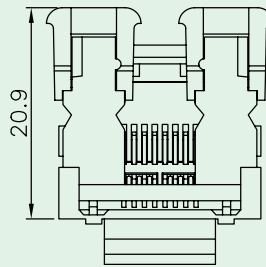
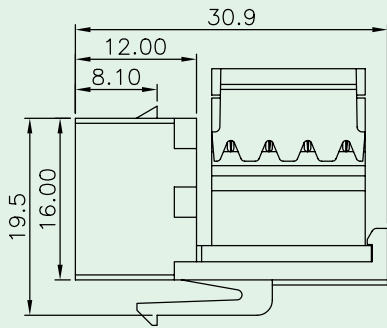
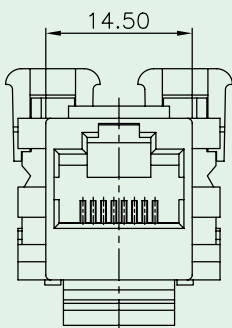
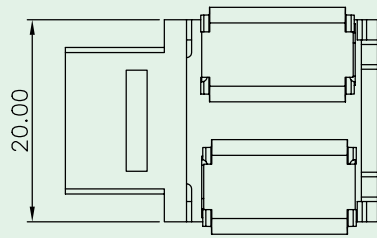
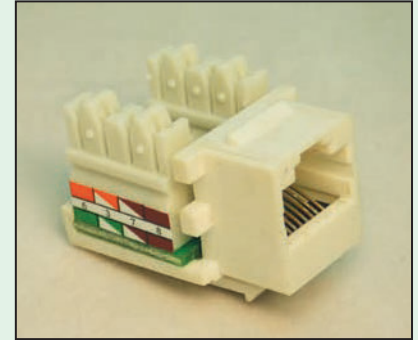
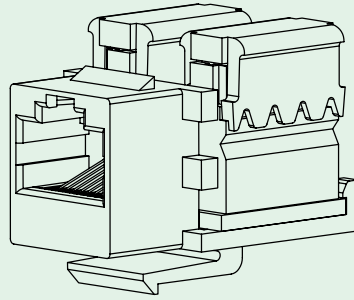
## Ordering Information





# CAT.5e Keystone Jack

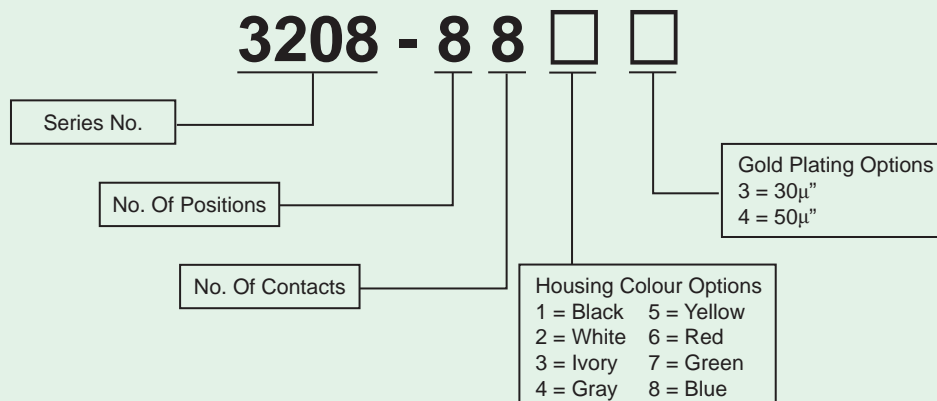
**KINSUN**



## Materials

- **Housing** : Engineering Thermoplastic.  
Flammability Rating UL 94V-0.
- **Contacts** : Phosphor Bronze.
- **Plating** : Gold Plating Over Nickel In Contact Area.
- **Shielded** : Brass With Nickel Plated.

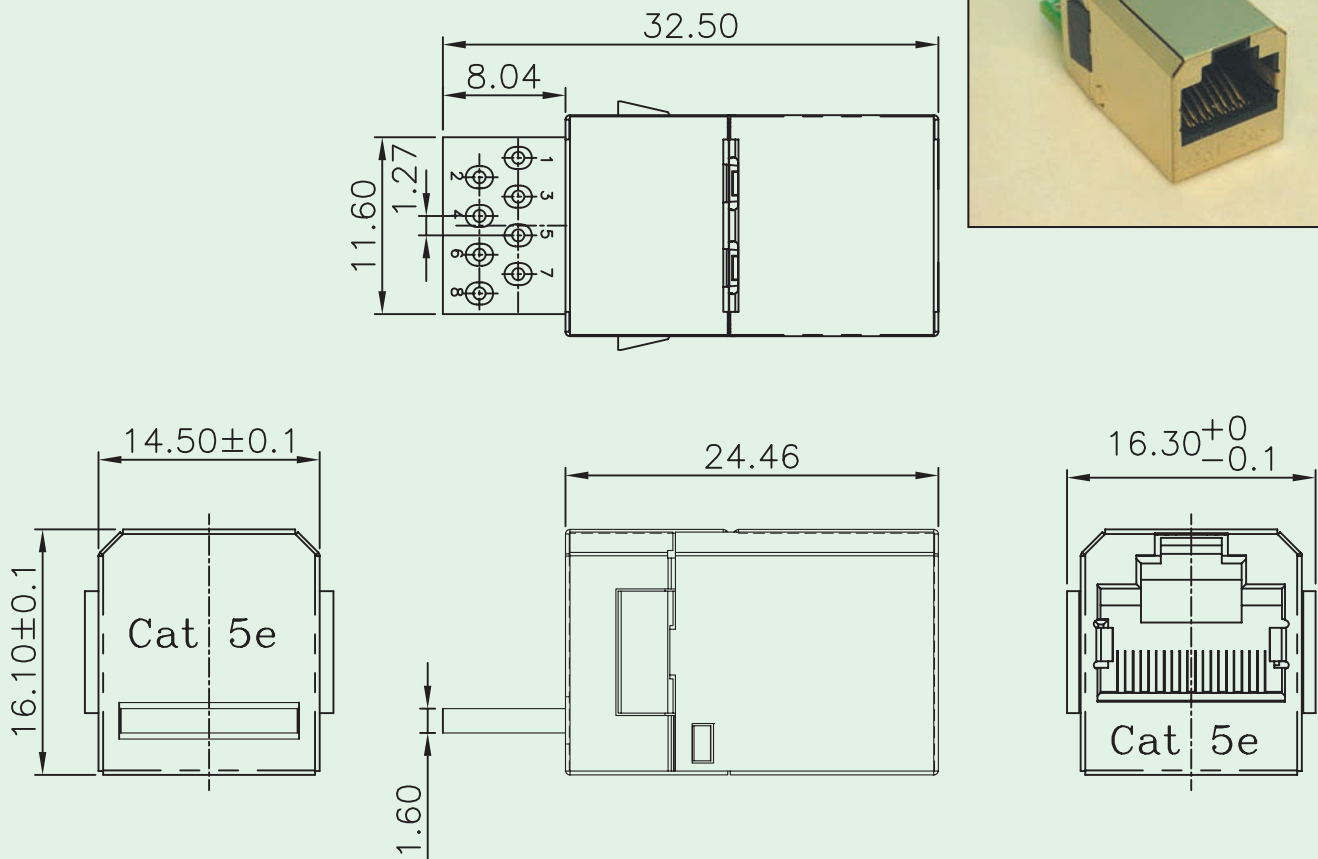
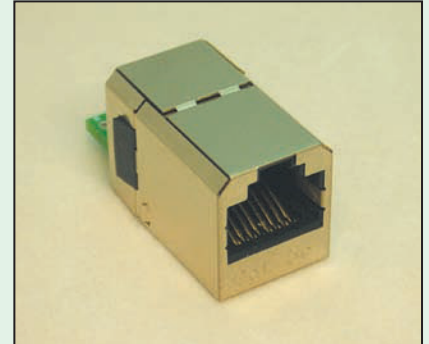
## Ordering Information





## 3209 Keystone Jack ( CAT.5e Through Hole, Shielded )

KINSUN



### Materials

- **Housing** : Engineering Thermoplastic.  
Flammability Rating UL 94V-0.
- **Contacts** : Phosphor Bronze.
- **Plating** : Gold Plating Over Nickel In Contact Area.  
Tin Plating Over Nickel In Solder Area.
- **Shielded** : Brass With Nickel Plated.

### Ordering Information

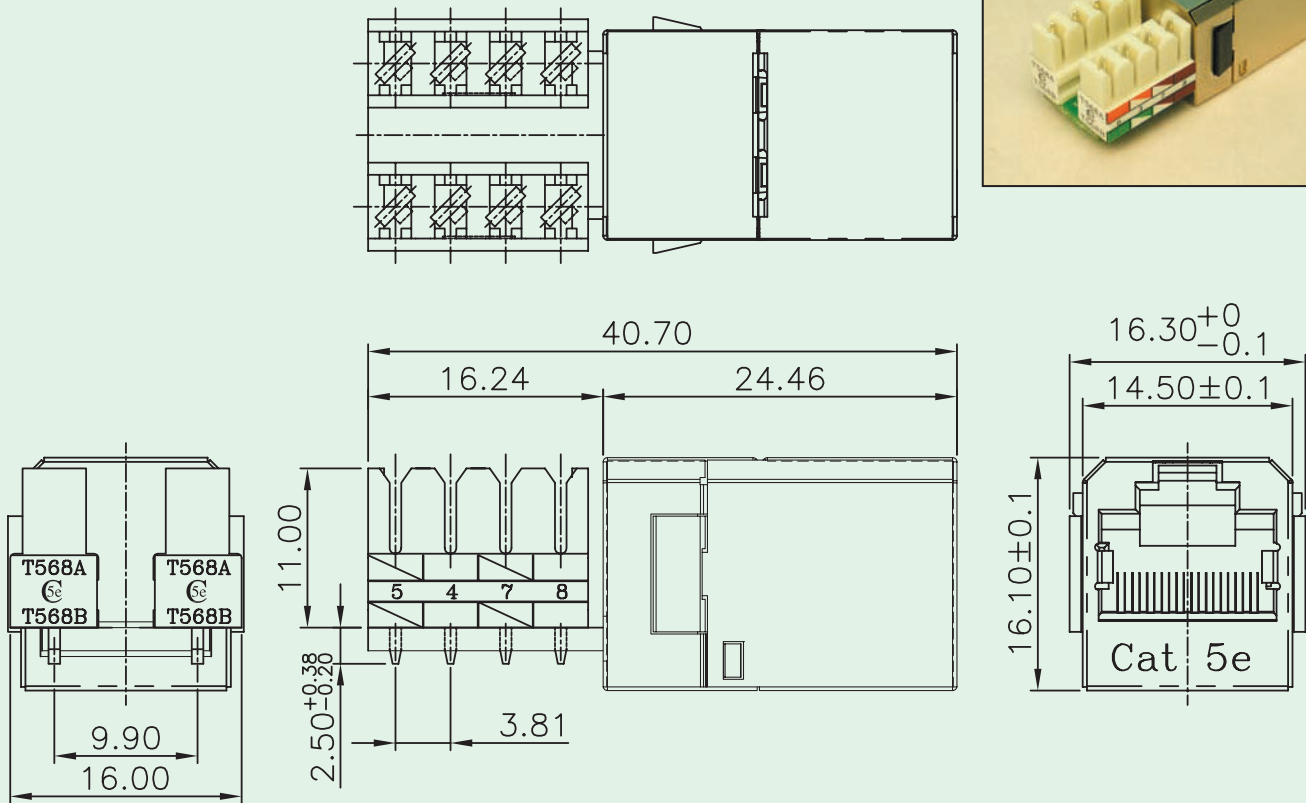
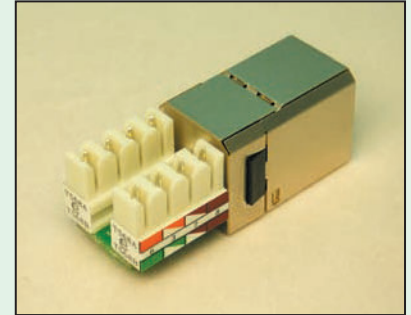
## 3209 A Series





## 3209 Keystone Jack (CAT.5e IDC, Shielded Type)

KINSUN



### Materials

- **Housing** : Engineering Thermoplastic.  
Flammability Rating UL 94V-0.
- **Contacts** : Phosphor Bronze.
- **Plating** : Gold Plating Over Nickel In Contact.  
Tin Plating Over Nickel In Solder Area.
- **Shield** : Brass With Nickel Plated.

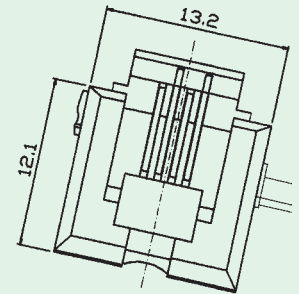
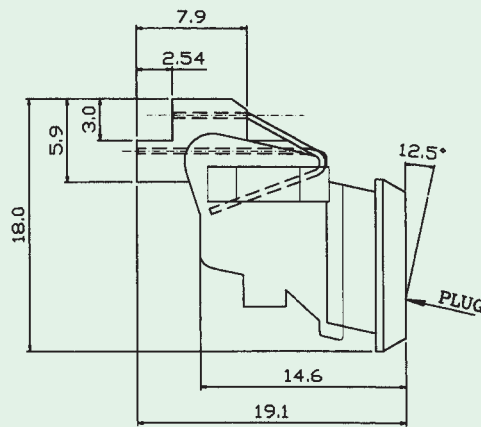
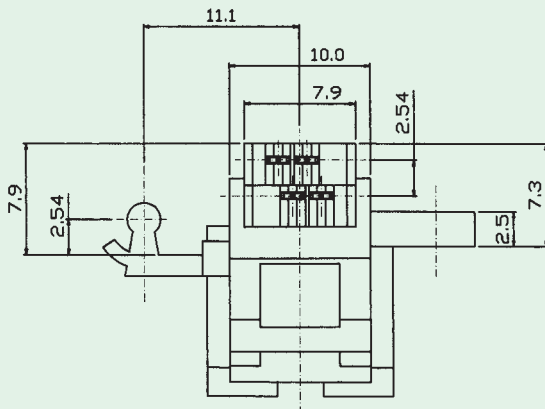
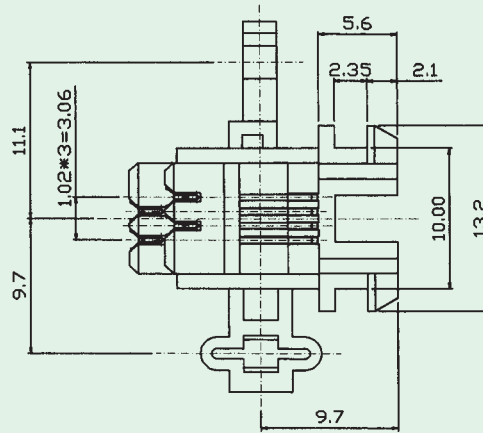
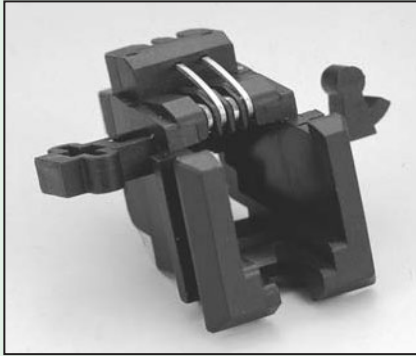
### Ordering Information

## 3209 B Series



# IDC Technique Jack (For Panel Type)

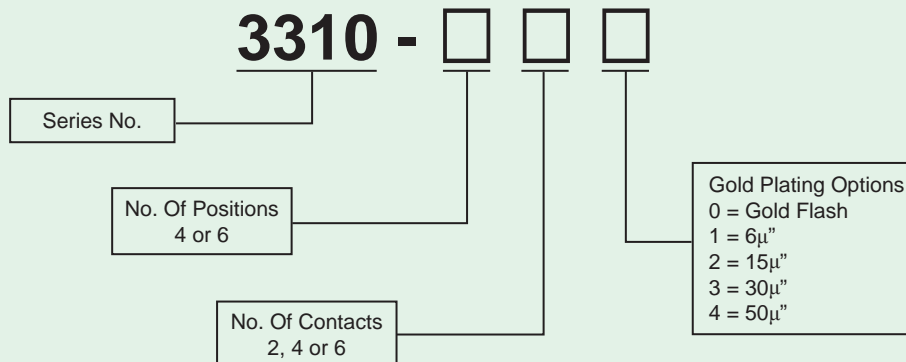
**KINSUN**



## Materials

- **Housing** : Engineering Thermoplastic.  
Flammability Rating UL 94V-0.
- **Contacts** : Phosphor Bronze.
- **Plating** : Gold Plating Over Nickel In Contact Area.

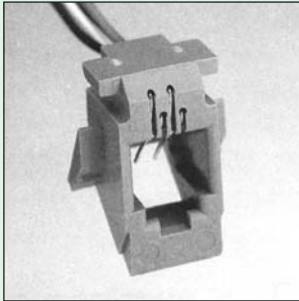
## Ordering Information



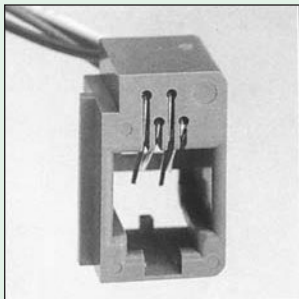
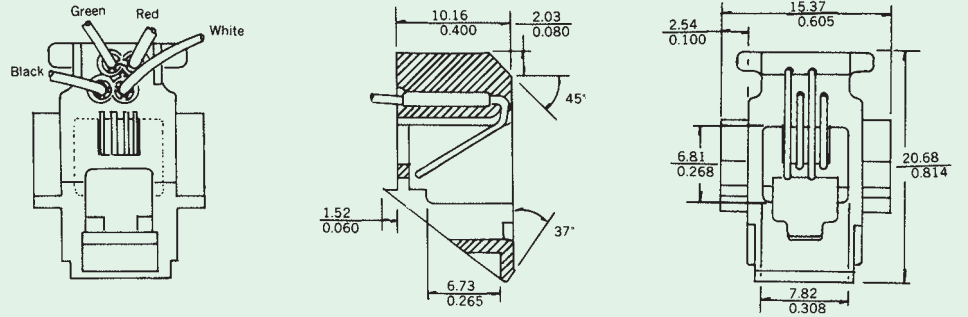


# Jack With Wire

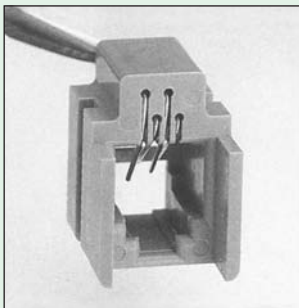
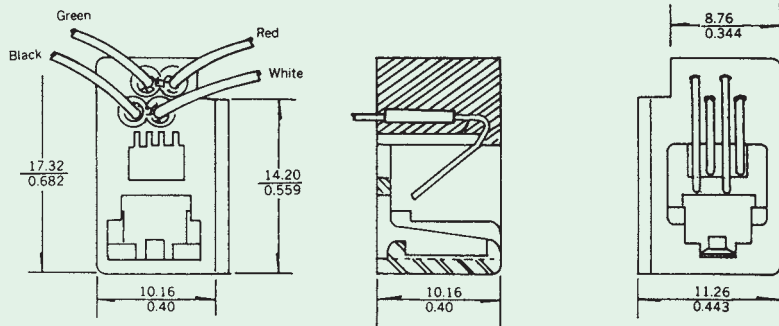
**KINSUN**



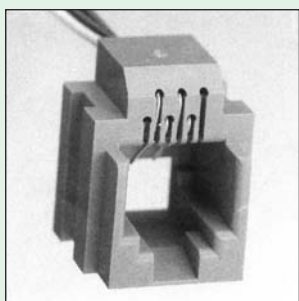
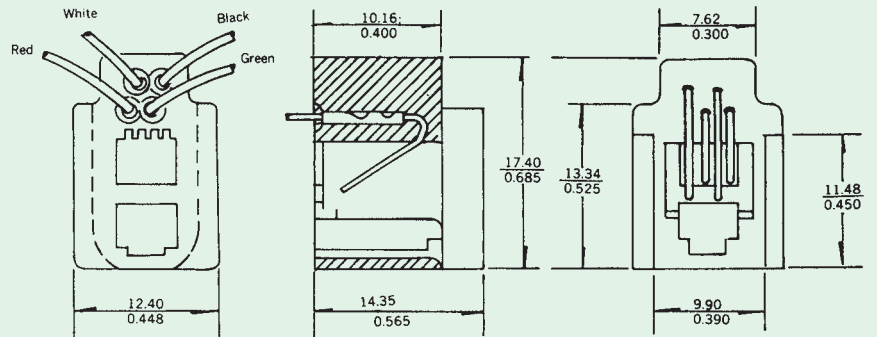
KS-616W



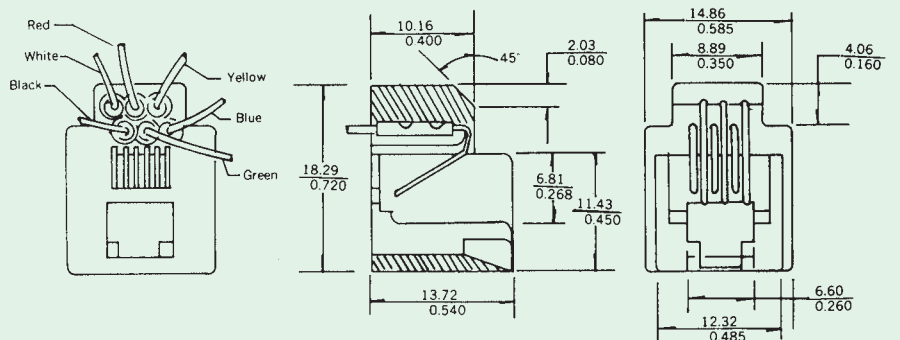
KS-616E



KS-616M



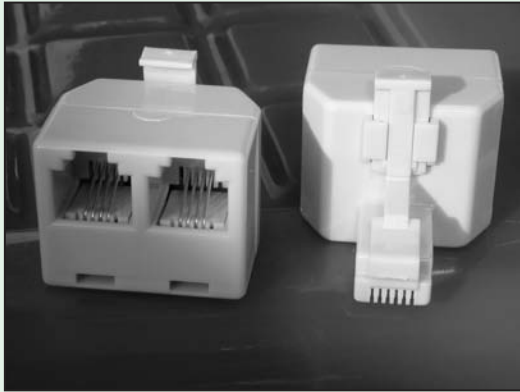
KS-623K4-6P4C  
KS-623K4-6P6C





# Surface & Wall Jack

**KINSUN**



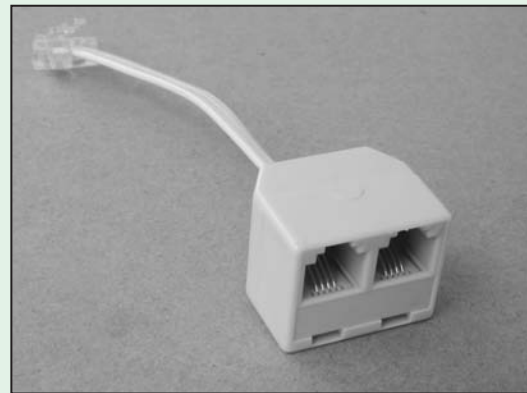
KS-267



KS-330



KS-350



KS-366



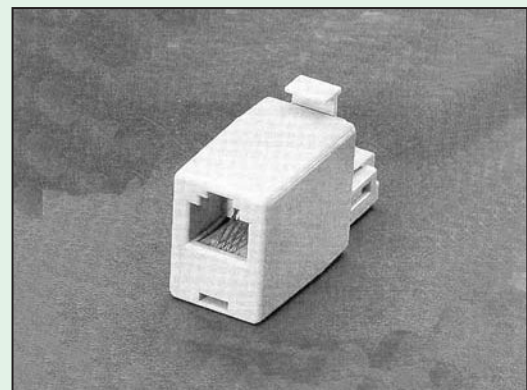
KS-468



KS-630



KS-Cable With Plug



KS-268