

**Polymer
PTC Devices**

Surface mount fuses

Shanghai Wayon Thermo/Electro Materials Co.,Ltd.
4th Floor, No.201, New Jinqiao Road, Shanghai 201206,China
Tel: 86-21- 50320161 58995165 Fax: 86-21-50320266
E-mail: market@way-on.com [Http://www.way-on.com](http://www.way-on.com)



LMV200

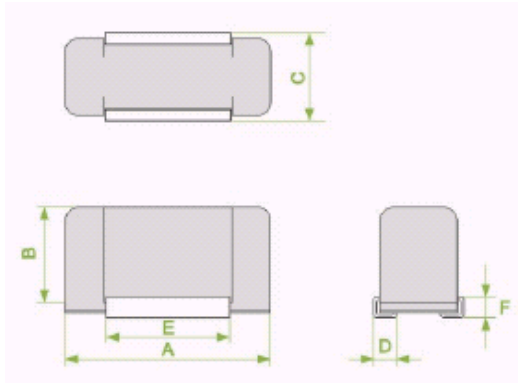
Features

- Surface mount devices
- Withstanding a very high interrupt voltage of 600V
- Agency Recognition: UL, CSA, TUV

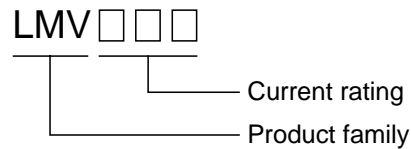


Product Dimensions (mm)

Part number	A Max	B Max	C Max	D Min	E Max	F Max
LMV200	19.4	12.3	8.3	1.6	10.4	2.3



Marking system



- * Terminal materials: Tin-plated brass.
- * Lead-free devices are available, the right logo is lead-free mark of wayon.



Electrical Characteristics

Part number	I_H (A)	I_T (A)	T_{trip} Current(A) Time(S)	V_{max} interrupt (V)	I_{max} (A)	$P_{d\ typ}$ (W)	R_{min} ()	R_{max} ()
LMV200	0.200	0.400	1.00 12.00	600	3.0	2.50	4.0	7.5

I_H =Hold current: maximum current at which the device will not trip at 25 still air.

I_T =Trip current: minimum current at which the device will always trip at 25 still air.

T_{trip} =Typical time to trip(s) at assigned current.

$V_{max\ interrupt}$ =Maximum interrupt voltage device can withstand without damage at rated current.

I_{max} =Maximum fault current device can withstand without damage at rated voltage.

$P_{d\ typ}$ =Typical power dissipation: typical amount of power dissipated by the device when in state air environment.

R_{min} =Minimum device resistance at 25 prior to tripping.

R_{max} =Maximum device resistance at 25 prior to tripping.

Thermal Derating Chart- I_H (A)

Part number	Maximum ambient operating temperatures()								
	-40	-20	0	25	40	50	60	70	85
LMV200	0.310	0.275	0.238	0.200	0.165	0.147	0.128	0.110	0.083

Package Information

Bulk: 500pcs per bag.

Tape & Reel: 1000pcs per reel.