



## Features



- Surface mount devices
- Very high voltage surge capabilities
- Available in lead-free version
- Agency Recognition: UL, CSA, TUV

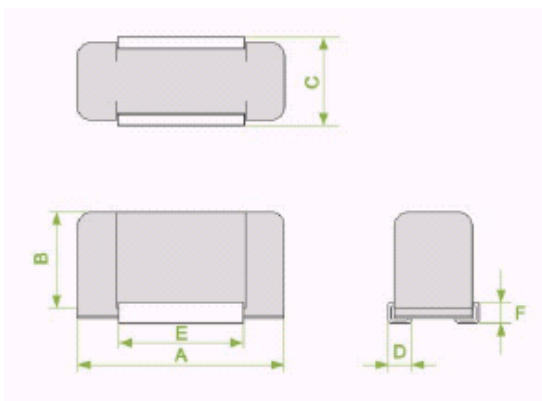


LMV series

Surface mount devices

## Product Dimensions(mm)

Part number	A	B	C	D	E	F
	Max	Max	Max	Max	Max	Max
LMV170	19.4	12.3	8.3	2.4	10.4	2.3
LMV200	19.4	12.3	8.3	2.4	10.4	2.3



\* Lead-free devices are available,  
the right logo is lead-free mark of wayon.



## Electrical Characteristics

Part number	$I_H$	$I_T$	$T_{trip}$		$V_{max\ interrupt}$	$I_{max}$	$P_{d\ typ}$	$R_{min}$	$R_{max}$
	(A)	(A)	Current(A)	Time(S)	(V)	(A)	(W)	( )	( )
LMV170	0.170	0.340	1.00	10.00	600	3.0	2.50	4.0	9.0
LMV200	0.200	0.400	1.00	12.00	600	3.0	2.50	4.0	7.5

$I_H$ =Hold current: maximum current at which the device will not trip at 25 still air.

$I_T$ =Trip current: minimum current at which the device will always trip at 25 still air.

$V_{max\ interrupt}$ =Maximum voltage device can withstand without damage at rated current.

$I_{max}$ =Maximum fault current device can withstand without damage at rated voltage.

$T_{trip}$ =Maximum time to trip(s) at assigned current.

$P_{d\ typ}$ =Typical power dissipation: typical amount of power dissipated by the device when in state air environment.

$R_{min}$ =Minimum device resistance at 25 prior to tripping.

$R_{max}$ =Maximum device resistance at 25 prior to tripping.

## Thermal Derating Chart-I<sub>H</sub>(A)

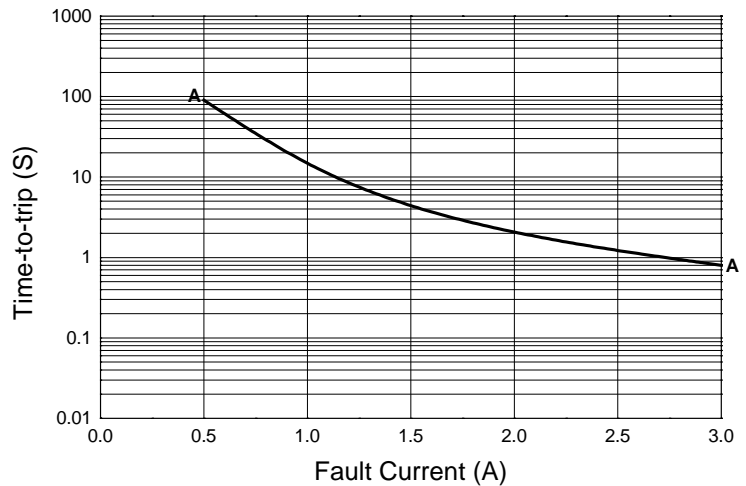
Part number	Maximum ambient operating temperatures( )								
	-40	-20	0	25	40	50	60	70	85
LMV170	0.264	0.230	0.200	0.170	0.140	0.125	0.100	0.094	0.070
LMV200	0.310	0.275	0.238	0.200	0.165	0.147	0.128	0.110	0.083

## Test Procedures And Requirements

Test	Test Conditions	Accept/Reject Criteria
Resistance	In still air @ 25	R <sub>min</sub> R R <sub>max</sub>
Time to Trip	Specified current, V <sub>max</sub> , 25	T maximum Time to Trip
Hold Current	60min, at I <sub>H</sub>	No trip
Trip Cycle Life	V <sub>max</sub> , I <sub>max</sub> , 20cycles	No arcing or burning
Trip Endurance	V <sub>max</sub> , 15min	No arcing or burning

## Typical Time-to-Trip Charts at 25

A=LMV170/LMV200



## Package Information

Bulk:

LMV170~LMV200.....500pcs per bag