

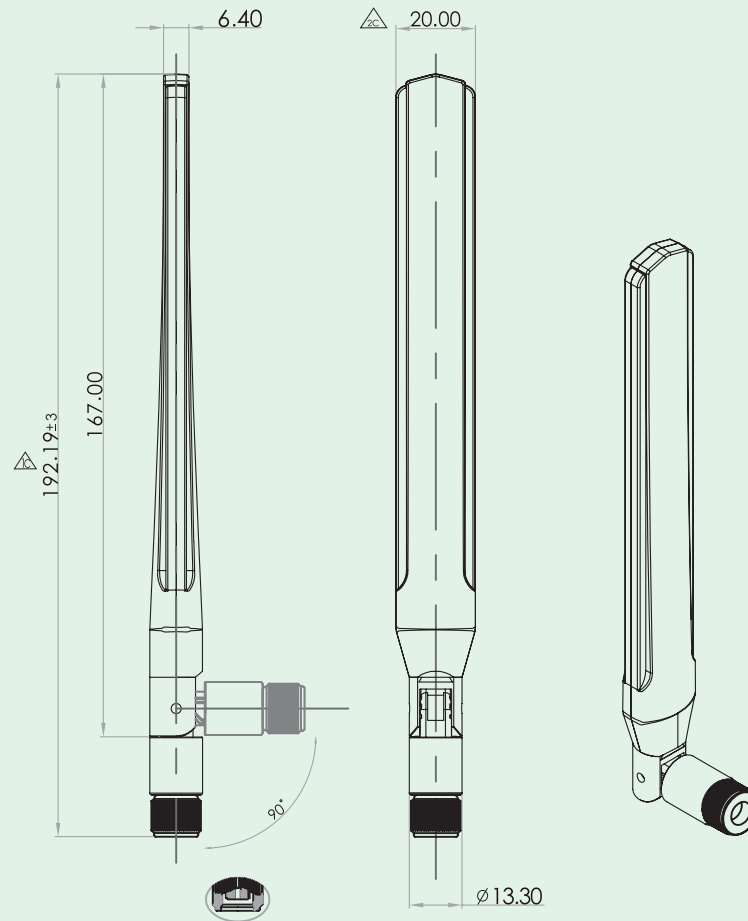


| | |
|----------------------|-------|
| • LTE : | 1 |
| • Outdoor Antenna : | 2~6 |
| • Insert Antenna : | 7~8 |
| • Internal Antenna : | 9~19 |
| 2.4 GHz : | |
| 2.4 & 5.8GHz : | |
| GSM : | |
| WiMAX : | |
| • WiMAX : | 20~21 |
| • ISM BAND : | 22~54 |
| 2.4 GHz : | |
| 5.8 GHz : | |
| 2.4 & 5 GHz : | |
| 2.4 & 5.8 GHz : | |
| • GSM : | 55~67 |
| • UHF : | 68~72 |
| 401 ~ 430 MHz : | |
| 433 MHz : | |
| 440 ~ 470 MHz : | |
| • VHF : | 73 |
| 200 ~ 220 MHz : | |
| • DVB-T : | 74~79 |
| • GPS : | 80~81 |
| • Microwave Cable : | 82~88 |
| • RF Connector : | 89~92 |



LTE

KINSUN



Product Data:

ROHS - Compliant

ELECTRICAL :

- Frequency Range : LTE
- Impedance : 50 ohm
- VSWR : ≤ 3.0
- Gain : 0 ~ 3.0 dBi
- Radiation : Omni
- Polarization : Linear

MECHANICAL :

- Antenna Housing : Engineering Plastics
- Color : Black
- Operating Temperature : $-20^{\circ}\text{C} \sim +65^{\circ}\text{C}$
- Storage Temperature : $-30^{\circ}\text{C} \sim +75^{\circ}\text{C}$
- Connector : SMA Male R/P

Part Number

6624 Series

Optional Connector

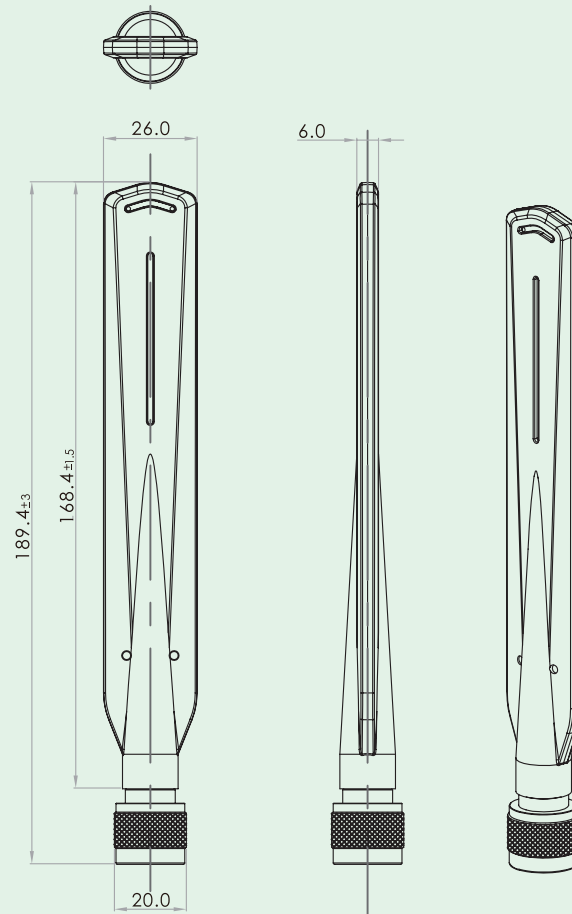
SMA Male
SMA Male Reverse
SMA Male Right Angle
TNC Male
TNC Male Reverse

Part number changes as per different option



WiFi & WiMAX High Gain Waterproof Antenna

KINSUN



Product Data:

ROHS - Compliant

ELECTRICAL :

- Frequency Range : 2.4 ~ 2.7 GHz
- Impedance : 50 ohm
- VSWR : ≤ 2.0
- Gain : 5 dBi
- Radiation : Omni
- Polarization : Linear

MECHANICAL :

- Antenna Housing : Engineering Plastics
- Color : Black
- Operating Temperature : $-20^{\circ}\text{C} \sim +65^{\circ}\text{C}$
- Storage Temperature : $-30^{\circ}\text{C} \sim +75^{\circ}\text{C}$
- Connector : N Male

Part Number

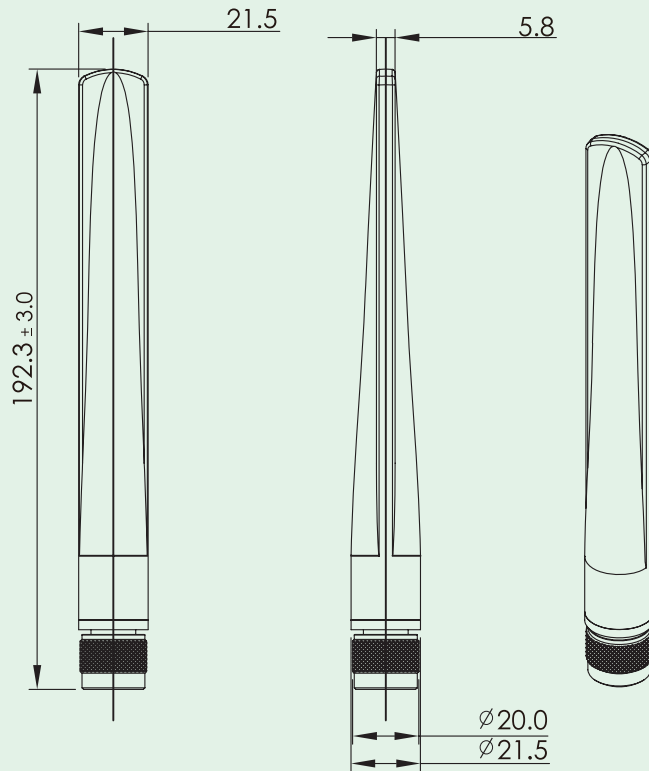
6611101010

Part number changes as per different option



2.4 GHz High Gain Waterproof Antenna

KINSUN



Product Data:

ROHS - Compliant

ELECTRICAL :

- Frequency Range : 2.4 GHz
- Impedance : 50 ohm
- VSWR : ≤ 2.0
- Gain : 5 dBi
- Radiation : Omni
- Polarization : Linear

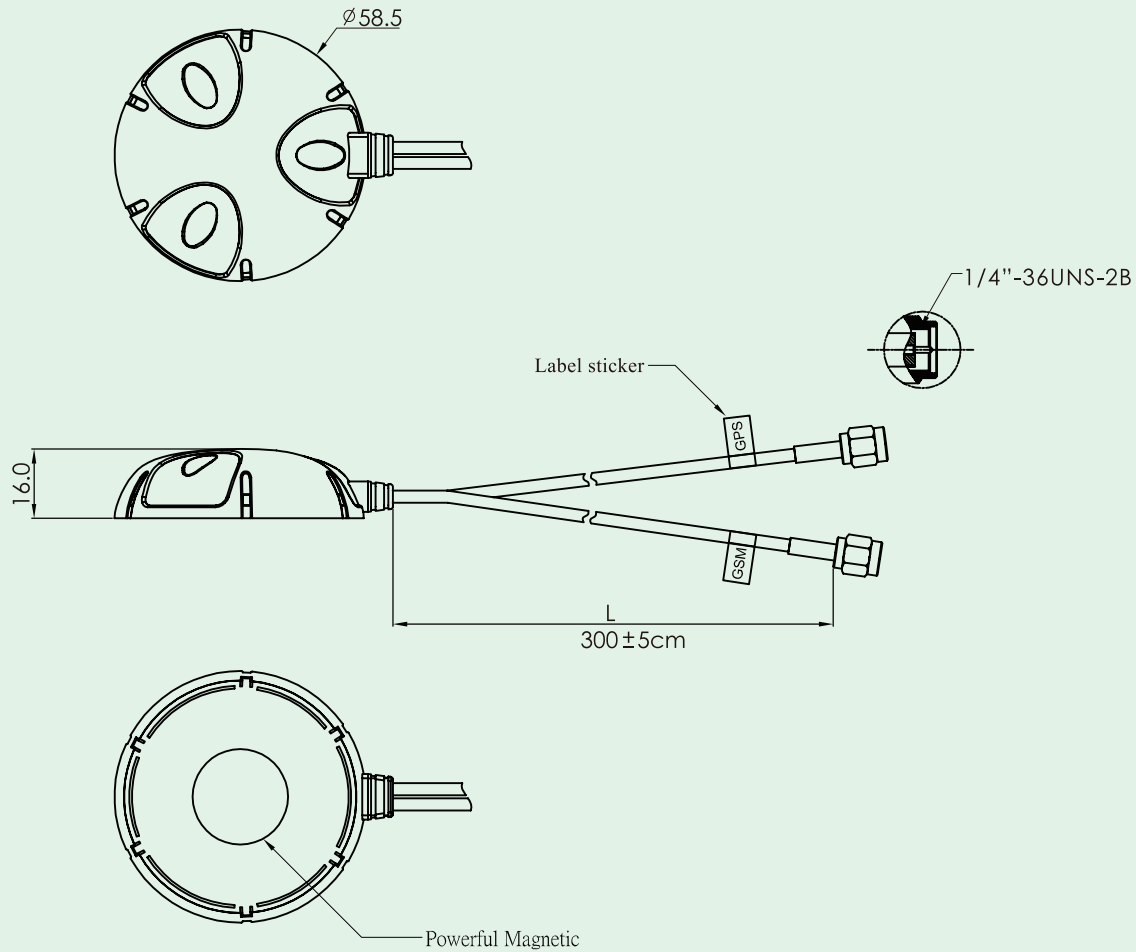
MECHANICAL :

- Antenna Housing : Engineering Plastics
- Color : Black
- Operating Temperature : $-20^{\circ}\text{C} \sim +65^{\circ}\text{C}$
- Storage Temperature : $-30^{\circ}\text{C} \sim +75^{\circ}\text{C}$
- Connector : N Male

Part Number

6613101071

Part number changes as per different option



Product Data:

ROHS - Compliant

ELECTRICAL :

- Frequency Range : GPS 1575.42 MHz
GSM 850 / 900 / 1800 / 1900 / 2100 MHz
- Impedance : 50 ohm
- VSWR : ≤ 3.0
- Radiation : Omni
- Polarization : Linear

MECHANICAL :

- Antenna Housing : Engineering Plastics
- Color : Black
- Operating Temperature : $-20^{\circ}\text{C} \sim +65^{\circ}\text{C}$
- Storage Temperature : $-30^{\circ}\text{C} \sim +75^{\circ}\text{C}$
- Connector : SMA Male
- Cable : RG-174

Part Number

6692110410-30M

Optional Connector

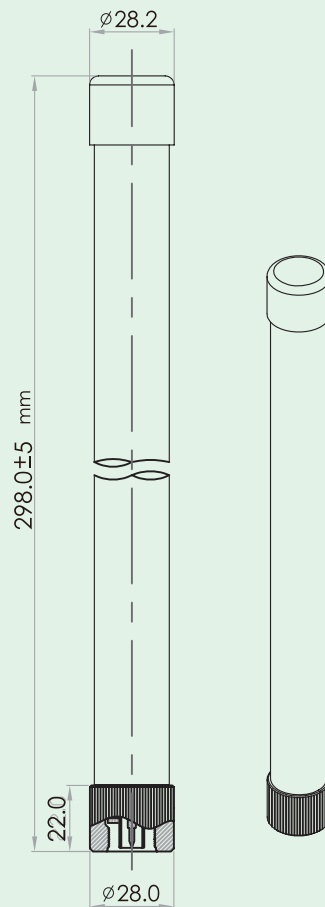
NO
SMA Male
SMA Male Reverse
MCX Male
MCX Male Right Angle
MMCX Male
MMCX Male Right Angle

Part number changes as per different option



2.4 GHz 5 dBi Outdoor Antenna

KINSUN



Product Data:

ROHS - Compliant

ELECTRICAL :

- Frequency Range : 2.4 GHz
- Impedance : 50 ohm
- VSWR : ≤ 2.0
- Gain : ≤ 5 dBi
- Radiation : Omni
- Polarization : Linear

MECHANICAL :

- Antenna Housing : Glass fiber
- Color : White
- Operating Temperature : $-20^{\circ}\text{C} \sim +65^{\circ}\text{C}$
- Storage Temperature : $-30^{\circ}\text{C} \sim +75^{\circ}\text{C}$
- Connector : N Male

Part Number

6710 Series

Part number changes as per different option



2.4 GHz 9dBi Outdoor Antenna

KINSUN



Product Data:

ROHS - Compliant

ELECTRICAL :

- Frequency Range : 2.4 GHz
- Impedance : 50 ohm
- VSWR : ≤ 2.0
- Gain : ≤ 9 dBi
- Radiation : Omni
- Polarization : Linear

MECHANICAL :

- Antenna Housing : Glass fiber
- Color : White
- Operating Temperature : $-20^{\circ}\text{C} \sim +65^{\circ}\text{C}$
- Storage Temperature : $-30^{\circ}\text{C} \sim +75^{\circ}\text{C}$
- Connector : N Male

Part Number

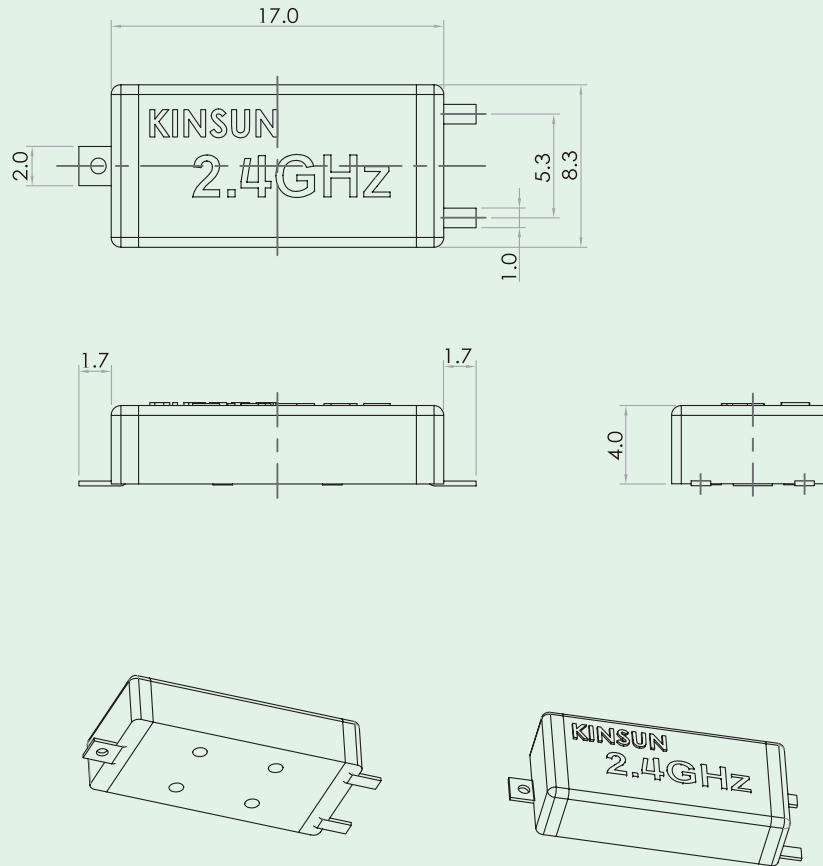
6711114000

Part number changes as per different option



INSERT SMT Type

KINSUN



Product Data:

ROHS - Compliant

ELECTRICAL :

- Frequency Range : 2.4 GHz
- Impedance : 50 ohm
- VSWR : ≤ 2.0
- Gain : Depend on ground
- Radiation : Directional
- Polarization : Linear

MECHANICAL :

- Antenna Housing : Engineering Thermoplastic
- Color : Blue
- Operating Temperature : $-20^{\circ}\text{C} \sim +65^{\circ}\text{C}$
- Storage Temperature : $-30^{\circ}\text{C} \sim +75^{\circ}\text{C}$
- Connector : SMT

Part Number

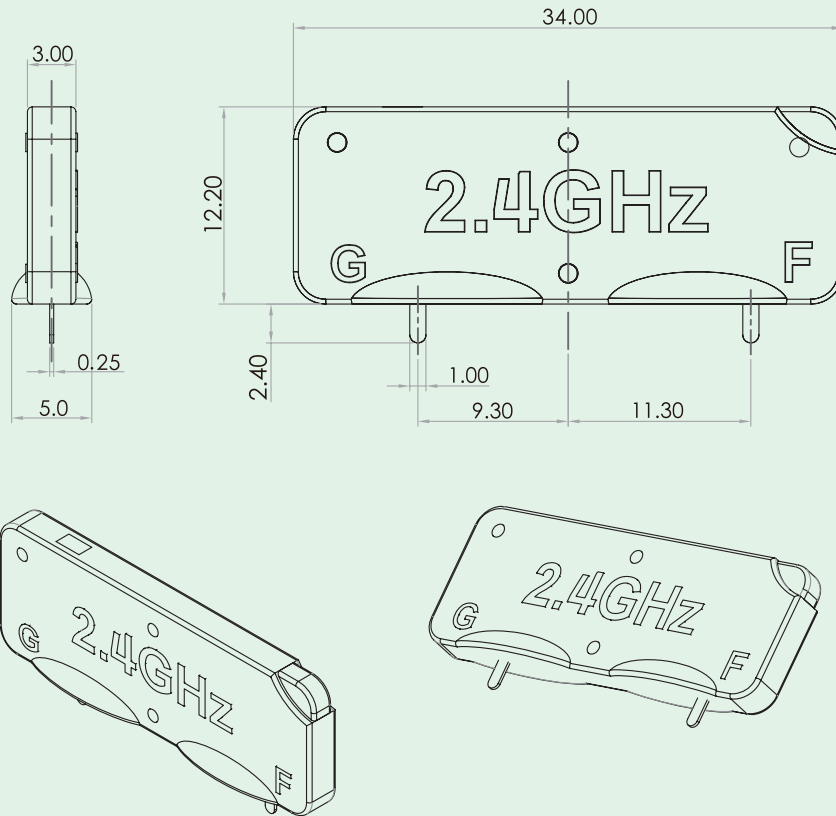
668210200S

Part number changes as per different option



INSERT DIP Type

KINSUN



Product Data:

ROHS - Compliant

ELECTRICAL :

- Frequency Range : 2.4 GHz
- Impedance : 50 ohm
- VSWR : ≤ 2.0
- Gain : Depend on ground
- Radiation : Directional
- Polarization : Linear

MECHANICAL :

- Antenna Housing : Engineering Thermoplastic
- Color : Blue
- Operating Temperature : $-20^{\circ}\text{C} \sim +65^{\circ}\text{C}$
- Storage Temperature : $-30^{\circ}\text{C} \sim +75^{\circ}\text{C}$
- Connector : DIP

Part Number

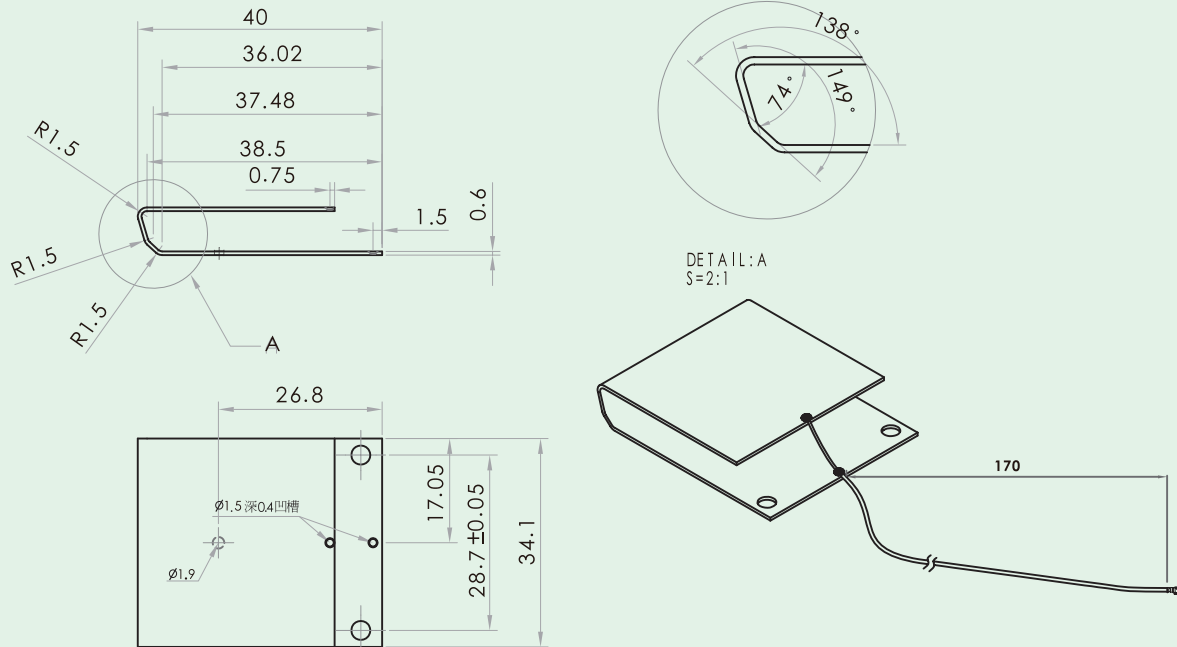
668310100B

Part number changes as per different option



2.4 GHz PIFA U Shape Antenna

KINSUN



Product Data:

ROHS - Compliant

ELECTRICAL :

- Frequency Range : 2.4 GHz
- Impedance : 50 ohm
- VSWR : ≤ 2.0
- Gain : Depend on ground
- Radiation : Directional
- Polarization : Linear

MECHANICAL :

- Material : Tinplate
- Operating Temperature : $-20^{\circ}\text{C} \sim +65^{\circ}\text{C}$
- Storage Temperature : $-30^{\circ}\text{C} \sim +75^{\circ}\text{C}$
- Connector : MHF (I - pex)
- Cable : 1.13

Part Number

6660113030-170

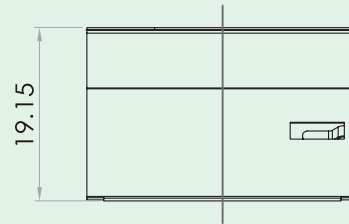
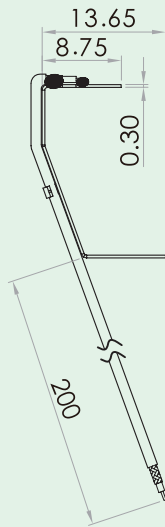
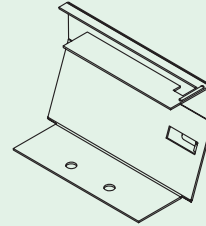
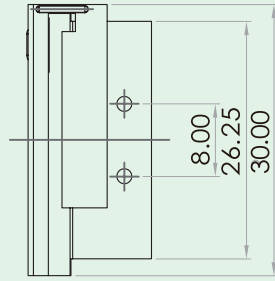
| Optional Cable | Optional Connector |
|----------------|------------------------------|
| 1.13 | NO |
| RG - 178 | SMA Male |
| | SMA Male Reverse |
| | SMA Male Right Angle |
| | SMA Male Right Angle Reverse |
| | SMA Female |
| | SMA Female Reverse |
| | MCX Male |
| | MCX Male Right Angle |
| | MMCX Male |
| | MMCX Male Right Angle |
| | MHF (I - pex) |

Part number changes as per different option



2.4 GHz PIFA U Shape Antenna

KINSUN



Product Data:

ROHS - Compliant

ELECTRICAL :

- Frequency Range : 2.4 GHz
- Impedance : 50 ohm
- VSWR : ≤ 2.0
- Gain : ≤ 0 dBi
- Radiation : Directional
- Polarization : Linear

MECHANICAL :

- Material : Tinplate
- Operating Temperature : $-20^{\circ}\text{C} \sim +65^{\circ}\text{C}$
- Storage Temperature : $-30^{\circ}\text{C} \sim +75^{\circ}\text{C}$
- Connector : NO
- Cable : 1.13

Part Number

6663 Series

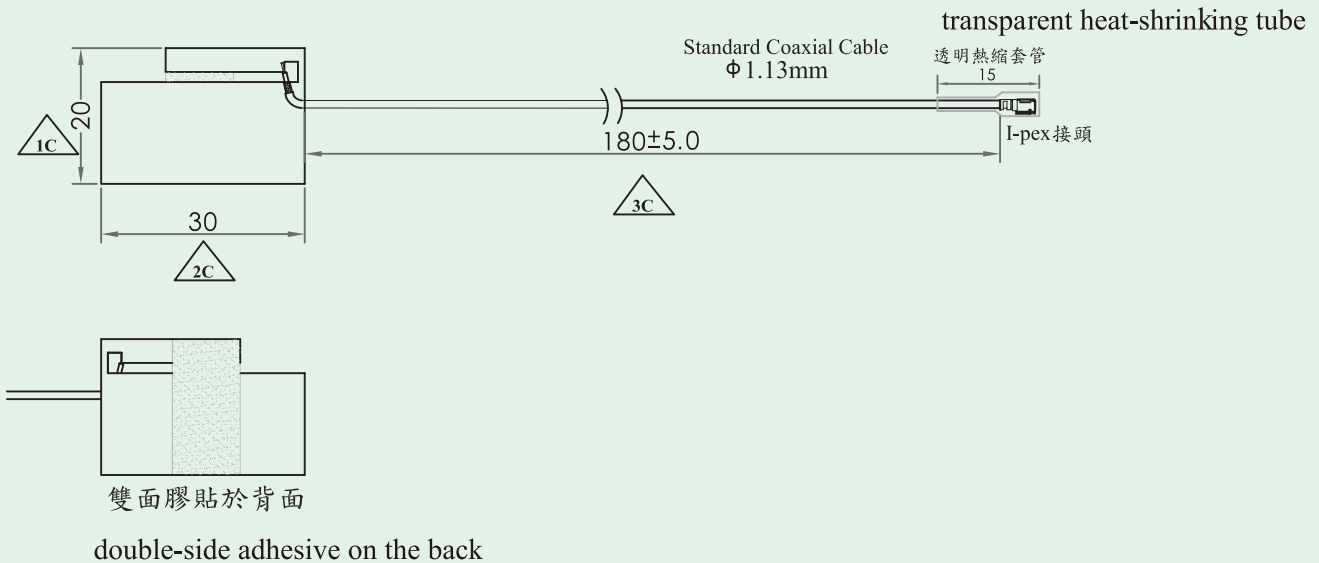
| Optional Cable | Optional Connector |
|----------------|------------------------------|
| 1.13 | NO |
| RG - 178 | SMA Male |
| | SMA Male Reverse |
| | SMA Male Right Angle |
| | SMA Male Right Angle Reverse |
| | SMA Female |
| | SMA Female Reverse |
| | MCX Male |
| | MCX Male Right Angle |
| | MMCX Male |
| | MMCX Male Right Angle |
| | MHF (I - pex) |

Part number changes as per different option



2.4 GHz PIFA F Shape Antenna

KINSUN



Product Data:

ROHS - Compliant

ELECTRICAL :

- Frequency Range : 2.4 GHz
- Impedance : 50 ohm
- VSWR : ≤ 2.0
- Gain : ≤ 0 dBi
- Radiation : Directional
- Polarization : Linear

MECHANICAL :

- Material : Tinplate
- Color : Metal
- Operating Temperature : $-20^{\circ}\text{C} \sim +65^{\circ}\text{C}$
- Storage Temperature : $-30^{\circ}\text{C} \sim +75^{\circ}\text{C}$
- Connector : MHF (I - pex)

Part Number

6663113031-500

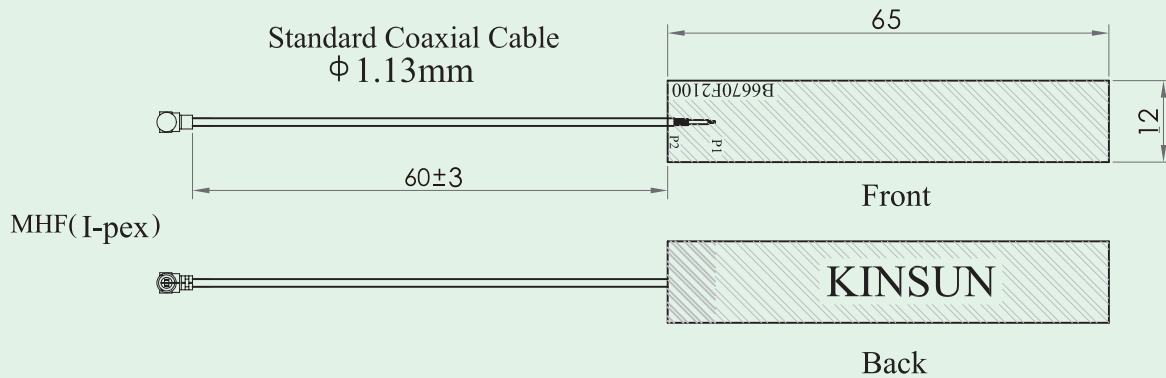
| Optional Cable | Optional Connector |
|----------------|------------------------------|
| 1.13 | NO |
| RG - 178 | SMA Male |
| | SMA Male Reverse |
| | SMA Male Right Angle |
| | SMA Male Right Angle Reverse |
| | SMA Female |
| | SMA Female Reverse |
| | MCX Male |
| | MCX Male Right Angle |
| | MMCX Male |
| | MMCX Male Right Angle |
| | MHF (I - pex) |

Part number changes as per different option



2.4 GHz PCB Antenna 65mm

KINSUN



Product Data:

ROHS - Compliant

ELECTRICAL :

- Frequency Range : 2.4 GHz
- Impedance : 50 ohm
- VSWR : ≤ 2.0
- Gain : 2 ~ 3 dBi
- Radiation : Directional
- Polarization : Linear PIFA

MECHANICAL :

- Material : FR - 4 PCB
- Color : Black
- Operating Temperature : -20°C ~ + 65°C
- Storage Temperature : -30°C ~ + 75°C
- Connector : MHF (I - pex)
- Cable : 1.13

Part Number

6670113030-070

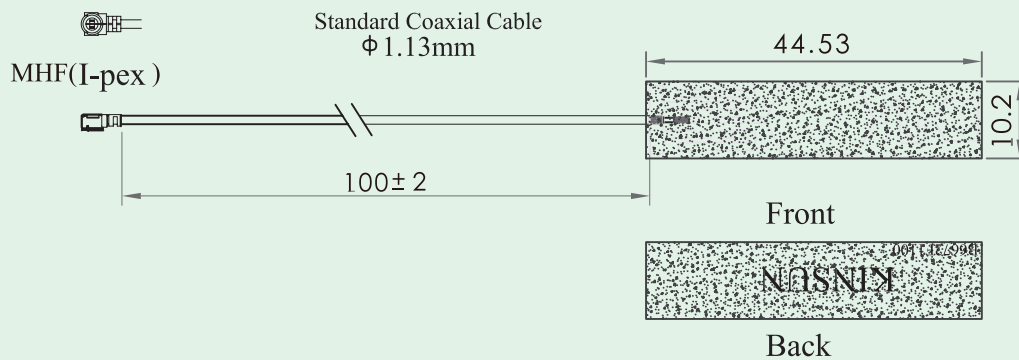
| Optional Cable | Optional Connector |
|----------------|------------------------------|
| 1.13 | NO |
| RG - 178 | SMA Male |
| | SMA Male Reverse |
| | SMA Male Right Angle |
| | SMA Male Right Angle Reverse |
| | SMA Female |
| | SMA Female Reverse |
| | MCX Male |
| | MCX Male Right Angle |
| | MMCX Male |
| | MMCX Male Right Angle |
| | MHF (I - pex) |

Part number changes as per different option



2.4 GHz PCB Antenna 44mm

KINSUN



Product Data:

ROHS - Compliant

ELECTRICAL :

- Frequency Range : 2.4 GHz
- Impedance : 50 ohm
- VSWR : ≤ 2.0
- Gain : Depend on ground
- Radiation : Directional
- Polarization : Linear

MECHANICAL :

- Material : FR - 4 PCB
- Color : Black
- Operating Temperature : $-20^{\circ}\text{C} \sim +65^{\circ}\text{C}$
- Storage Temperature : $-30^{\circ}\text{C} \sim +75^{\circ}\text{C}$
- Connector : MHF (I - pex)
- Cable : 1.13

Part Number

6672113031-100

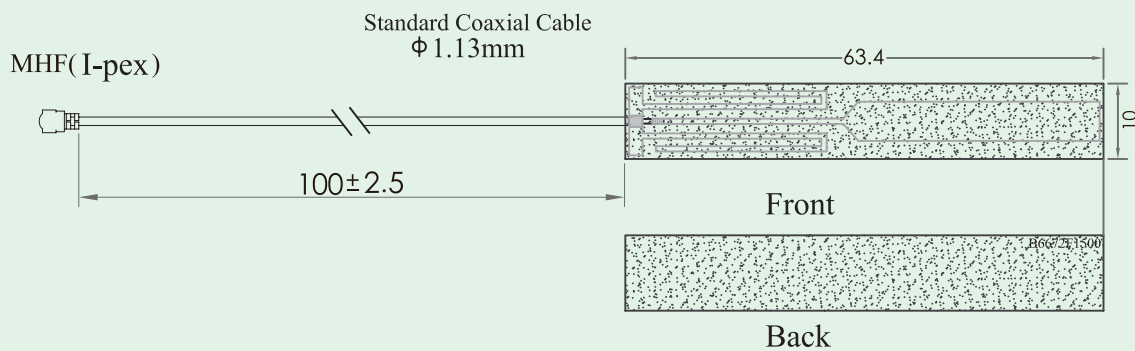
| Optional Cable | Optional Connector |
|----------------|------------------------------|
| 1.13 | NO |
| RG - 178 | SMA Male |
| | SMA Male Reverse |
| | SMA Male Right Angle |
| | SMA Male Right Angle Reverse |
| | SMA Female |
| | SMA Female Reverse |
| | MCX Male |
| | MCX Male Right Angle |
| | MMCX Male |
| | MMCX Male Right Angle |
| | MHF (I - pex) |

Part number changes as per different option



2.4 & 5.8 GHz PCB Antenna 63mm

KINSUN



Product Data:

ROHS - Compliant

ELECTRICAL :

- Frequency Range : 2.4 & 5.8GHz
- Impedance : 50 ohm
- VSWR : ≤ 2.0
- Gain : Depend on ground
- Radiation : Directional
- Polarization : Linear

MECHANICAL :

- Material : FR - 4 PCB
- Color : Black
- Operating Temperature : $-20^{\circ}\text{C} \sim +65^{\circ}\text{C}$
- Storage Temperature : $-30^{\circ}\text{C} \sim +75^{\circ}\text{C}$
- Connector : MHF (I - pex)
- Cable : 1.13

Part Number

6672313035-100

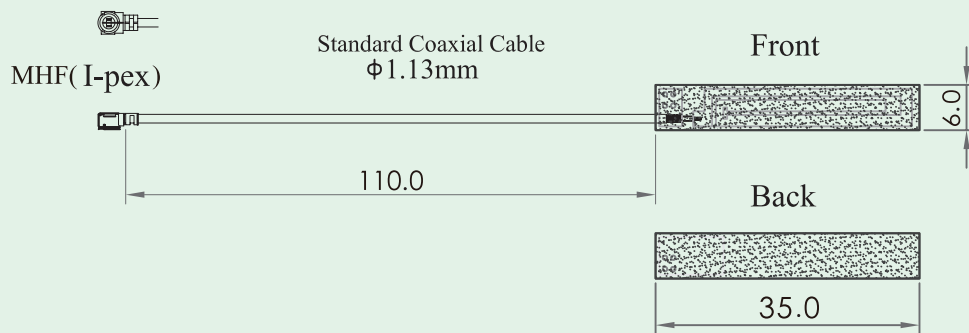
| Optional Cable | Optional Connector |
|----------------|------------------------------|
| 1.13 | NO |
| RG - 178 | SMA Male |
| | SMA Male Reverse |
| | SMA Male Right Angle |
| | SMA Male Right Angle Reverse |
| | SMA Female |
| | SMA Female Reverse |
| | MCX Male |
| | MCX Male Right Angle |
| | MMCX Male |
| | MMCX Male Right Angle |
| | MHF (I - pex) |

Part number changes as per different option



Triband GSM PCB Antenna 35mm

KINSUN



Product Data:

ROHS - Compliant

ELECTRICAL :

- Frequency Range : GSM Triband
- Impedance : 50 ohm
- VSWR : ≤ 2.0
- Gain : Depend on ground
- Radiation : Directional
- Polarization : Linear

MECHANICAL :

- Material : FR - 4 PCB
- Color : Green
- Operating Temperature : $-20^{\circ}\text{C} \sim +65^{\circ}\text{C}$
- Storage Temperature : $-30^{\circ}\text{C} \sim +75^{\circ}\text{C}$
- Connector : MHF (I - pex)
- Cable : 1.13

Part Number

6671B13030-110

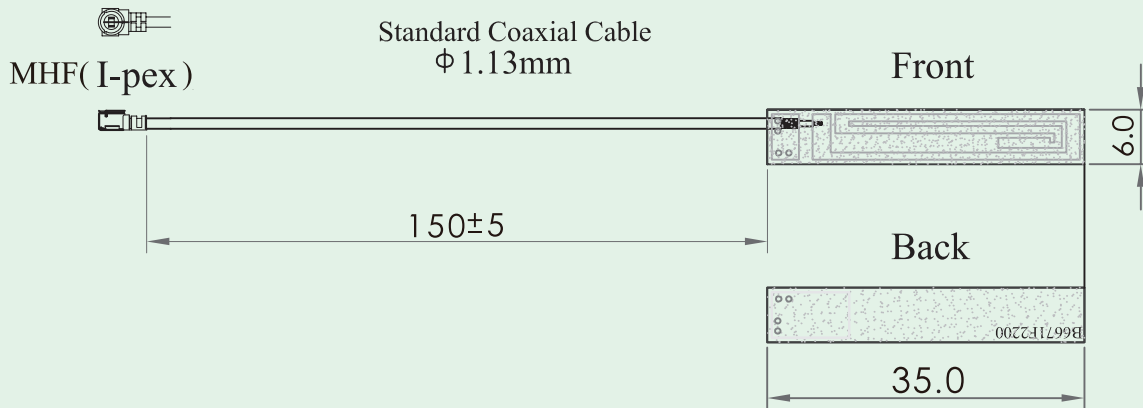
| Optional Cable | Optional Connector |
|----------------|------------------------------|
| 1.13 | NO |
| RG - 178 | SMA Male |
| | SMA Male Reverse |
| | SMA Male Right Angle |
| | SMA Male Right Angle Reverse |
| | SMA Female |
| | SMA Female Reverse |
| | MCX Male |
| | MCX Male Right Angle |
| | MMCX Male |
| | MMCX Male Right Angle |
| | MHF (I - pex) |

Part number changes as per different option



Four Band GSM PCB Antenna 35mm

KINSUN



Product Data:

ROHS - Compliant

ELECTRICAL :

- Frequency Range : GSM Four Band
- Impedance : 50 ohm
- VSWR : ≤ 2.0
- Gain : Depend on ground
- Radiation : Directional
- Polarization : Linear

MECHANICAL :

- Material : FR - 4 PCB
- Color : Green
- Operating Temperature : $-20^{\circ}\text{C} \sim +65^{\circ}\text{C}$
- Storage Temperature : $-30^{\circ}\text{C} \sim +75^{\circ}\text{C}$
- Connector : MHF (I - pex)

Part Number

6671C13030-150

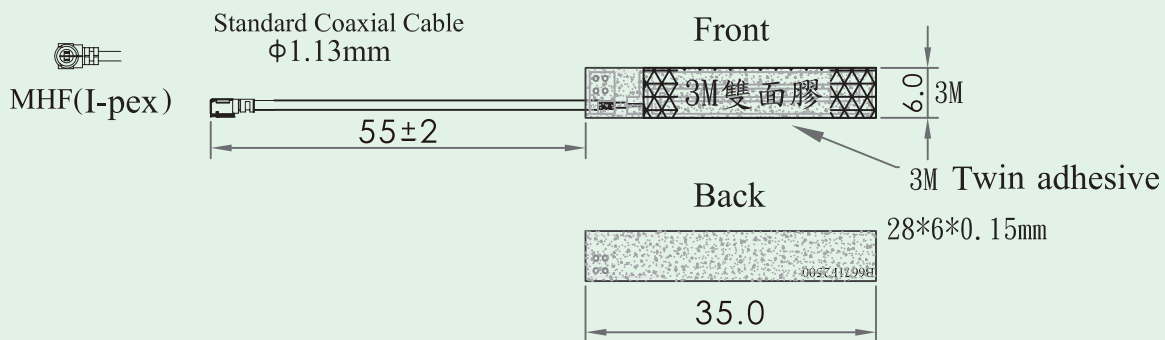
| Optional Cable | Optional Connector |
|----------------|------------------------------|
| 1.13 | NO |
| RG - 178 | SMA Male |
| | SMA Male Reverse |
| | SMA Male Right Angle |
| | SMA Male Right Angle Reverse |
| | SMA Female |
| | SMA Female Reverse |
| | MCX Male |
| | MCX Male Right Angle |
| | MMCX Male |
| | MMCX Male Right Angle |
| | MHF (I - pex) |

Part number changes as per different option



Five Band GSM PCB Antenna 35mm

KINSUN



Product Data:

ROHS - Compliant

ELECTRICAL :

- Frequency Range : GSM Five Band
- Impedance : 50 ohm
- VSWR : ≤ 2.0
- Gain : Depend on ground
- Radiation : Directional
- Polarization : Linear

MECHANICAL :

- Material : FR - 4 PCB
- Color : Green
- Operating Temperature : $-20^{\circ}\text{C} \sim +65^{\circ}\text{C}$
- Storage Temperature : $-30^{\circ}\text{C} \sim +75^{\circ}\text{C}$
- Connector : MHF (I - pex)

Part Number

6671F133F0-055

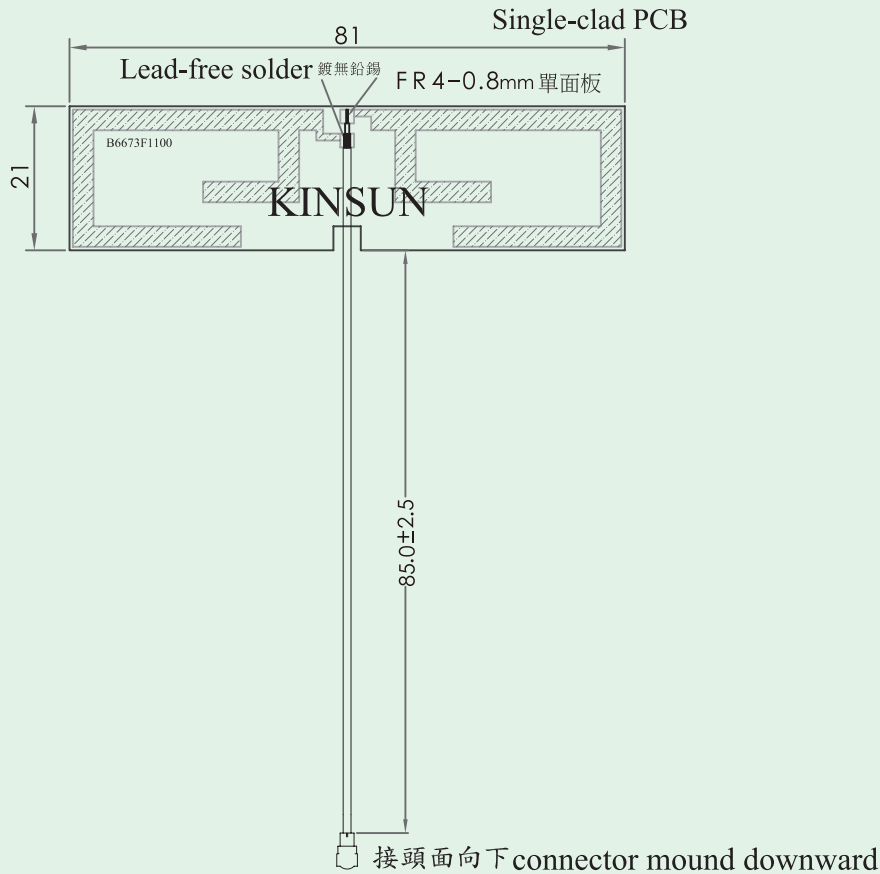
| Optional Cable | Optional Connector |
|----------------|------------------------------|
| 1.13 | NO |
| RG - 178 | SMA Male |
| | SMA Male Reverse |
| | SMA Male Right Angle |
| | SMA Male Right Angle Reverse |
| | SMA Female |
| | SMA Female Reverse |
| | MCX Male |
| | MCX Male Right Angle |
| | MMCX Male |
| | MMCX Male Right Angle |
| | MHF (I - pex) |

Part number changes as per different option



Four Band GSM PCB Antenna 81mm

KINSUN



Product Data:

ROHS - Compliant

ELECTRICAL :

- Frequency Range : GSM Four Band
- Impedance : 50 ohm
- VSWR : ≤ 2.0
- Gain : Depend on ground
- Radiation : Directional
- Polarization : Linear

MECHANICAL :

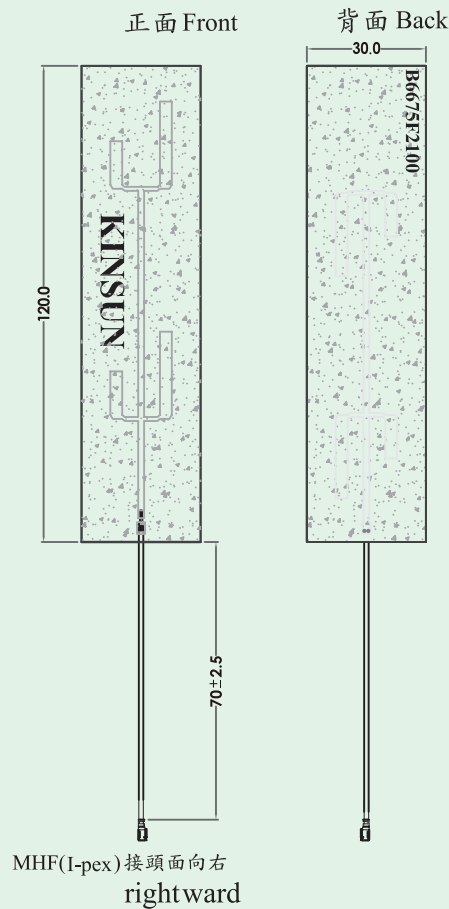
- Material : FR - 4 PCB
- Color : Green
- Operating Temperature : $-20^{\circ}\text{C} \sim +65^{\circ}\text{C}$
- Storage Temperature : $-30^{\circ}\text{C} \sim +75^{\circ}\text{C}$
- Connector : MHF (I - pex)
- Cable : 1.13

Part Number

6673C13030-085

| Optional Cable | Optional Connector |
|----------------|------------------------------|
| 1.13 | NO |
| RG - 178 | SMA Male |
| | SMA Male Reverse |
| | SMA Male Right Angle |
| | SMA Male Right Angle Reverse |
| | SMA Female |
| | SMA Female Reverse |
| | MCX Male |
| | MCX Male Right Angle |
| | MMCX Male |
| | MMCX Male Right Angle |
| | MHF (I - pex) |

Part number changes as per different option



Product Data:

ROHS - Compliant

ELECTRICAL :

- Frequency Range : 2.5 ~ 2.7 GHz
- Impedance : 50 ohm
- VSWR : ≤ 2.0
- Gain : ≤ 6.0 dBi
- Radiation : Directional
- Polarization : Linear

MECHANICAL :

- Material : FR - 4 PCB
- Color : Green
- Operating Temperature : $-20^{\circ}\text{C} \sim +65^{\circ}\text{C}$
- Storage Temperature : $-30^{\circ}\text{C} \sim +75^{\circ}\text{C}$
- Connector : MHF (I - pex)
- Cable : 1.13

Part Number

6675513031-070

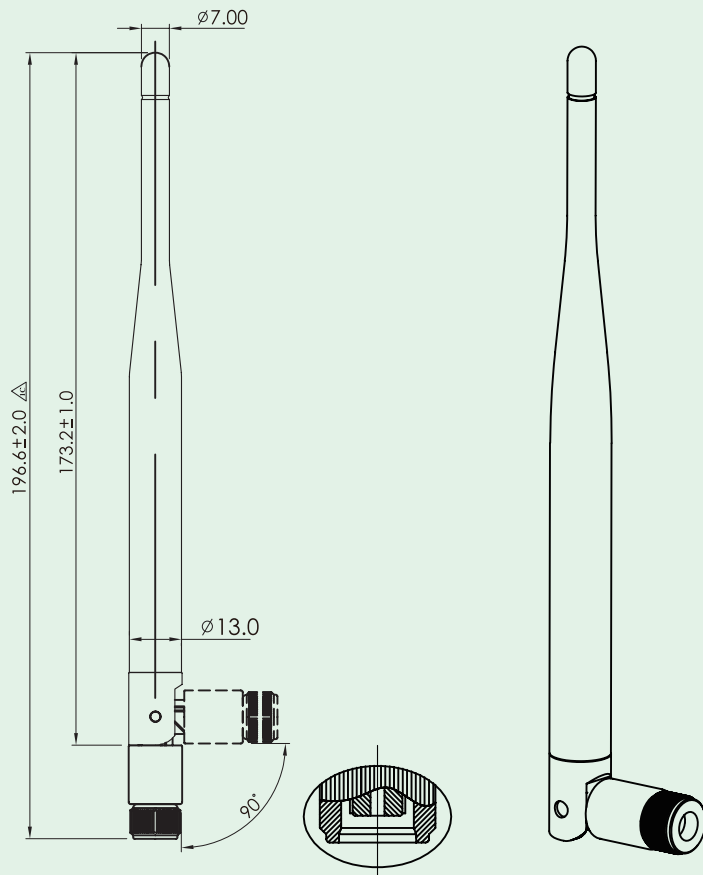
| Optional Cable | Optional Connector |
|----------------|------------------------------|
| 1.13 | NO |
| RG - 178 | SMA Male |
| | SMA Male Reverse |
| | SMA Male Right Angle |
| | SMA Male Right Angle Reverse |
| | SMA Female |
| | SMA Female Reverse |
| | MCX Male |
| | MCX Male Right Angle |
| | MMCX Male |
| | MMCX Male Right Angle |
| | MHF (I - pex) |

Part number changes as per different option



WiMAX Swivel Antenna

KINSUN



| Item | Different Optional Antenna Cover | Dimension Size |
|------|----------------------------------|----------------|
| 01 | 6602 Series | Ref. P.25 |
| 02 | 6604 Series | Ref. P.29 |
| 03 | 6606 Series | Ref. P.32 |

Product Data:

ROHS - Compliant

ELECTRICAL :

- Frequency Range : 2.3 ~ 2.4 GHz
- Impedance : 50 ohm
- VSWR : ≤ 2.0
- Gain : 5 dBi
- Radiation : Omni
- Polarization : Linear

MECHANICAL :

- Antenna Housing : Engineering Plastics
- Color : Black
- Operating Temperature : -20°C ~ +65°C
- Storage Temperature : -30°C ~ +75°C
- Connector : SMA Male Reverse

Part Number

6610 Series

Optional Connector

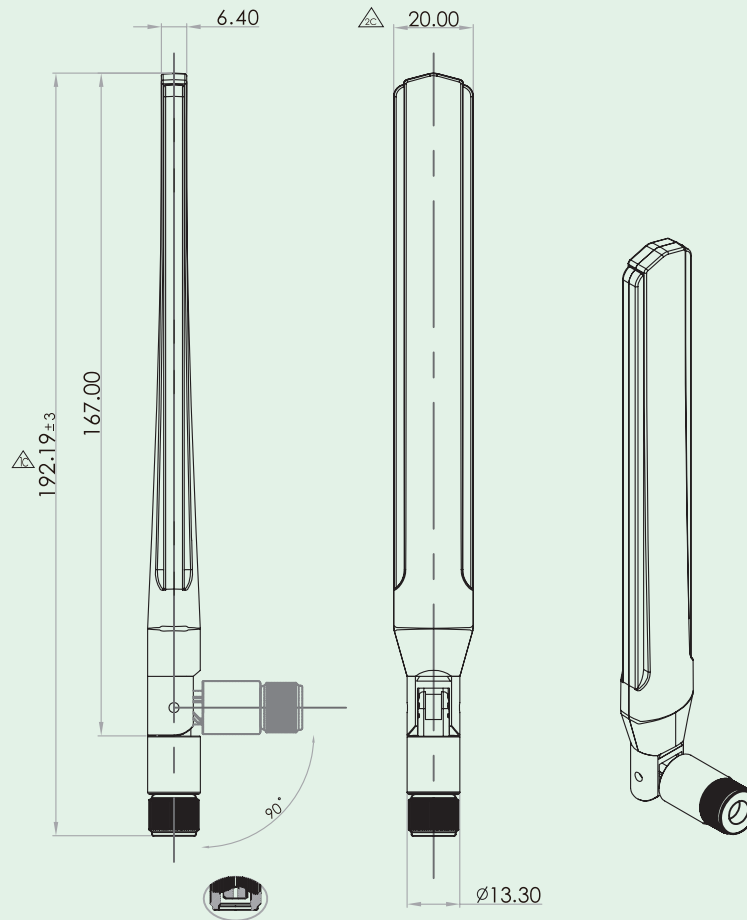
- SMA Male
- SMA Male Reverse
- BNC Male
- TNC Male
- TNC Male Reverse

Part number changes as per different option



WiFi & WiMAX Antenna

KINSUN



Product Data:

ROHS - Compliant

ELECTRICAL :

- Frequency Range : 2.3~2.7GHz / 3.4~3.6GHz / 5.7~5.9 GHz
- Impedance : 50 ohm
- VSWR : ≤ 2.0
- Gain : ≤ 3.0 dBi
- Radiation : Omni
- Polarization : Linear

MECHANICAL :

- Antenna Housing : Engineering Plastics
- Color : Black
- Operating Temperature : -20°C ~ +65°C
- Storage Temperature : -30°C ~ +75°C
- Connector : SMA Male Reverse

Part Number

Optional Connector

- SMA Male
- SMA Male Reverse

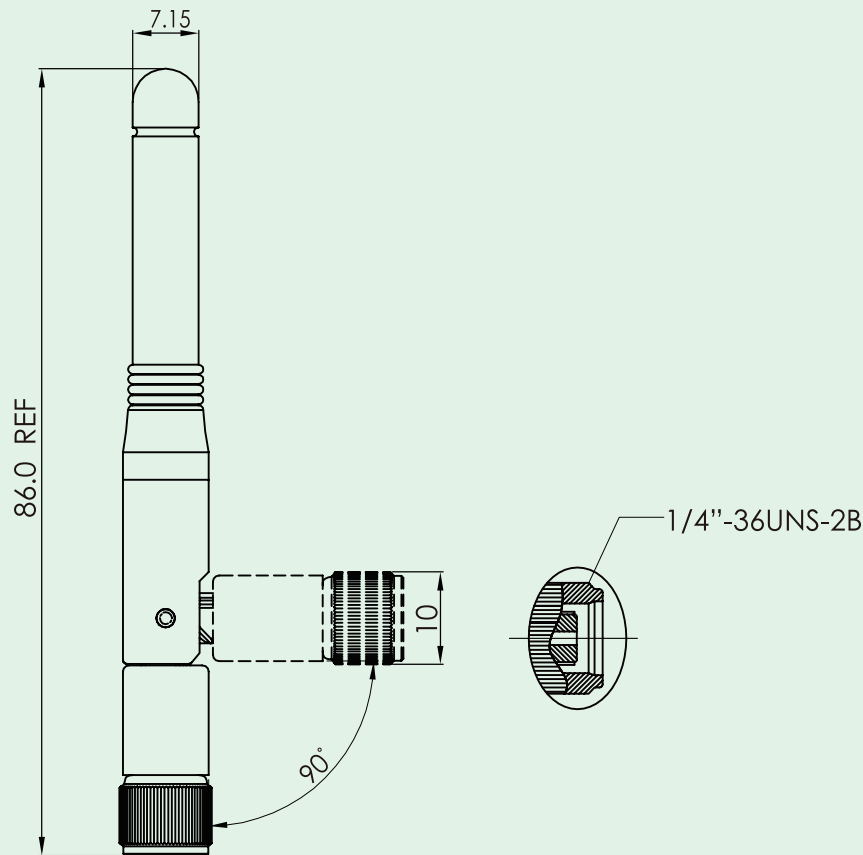
6624W03081

Part number changes as per different option



2.4 GHz Swivel Antenna With SMA Connector

KINSUN



Product Data:

ROHS - Compliant

ELECTRICAL :

- Frequency Range : 2.4 GHz
- Impedance : 50 ohm
- VSWR : ≤ 2.0
- Gain : 1 dBi
- Radiation : Omni
- Polarization : Linear

MECHANICAL :

- Antenna Housing : Engineering Plastics
- Color : Black
- Operating Temperature : $-20^{\circ}\text{C} \sim +65^{\circ}\text{C}$
- Storage Temperature : $-30^{\circ}\text{C} \sim +75^{\circ}\text{C}$
- Connector : SMA Male Reverse

Part Number

Optional Connector

- SMA Male
- SMA Male Reverse

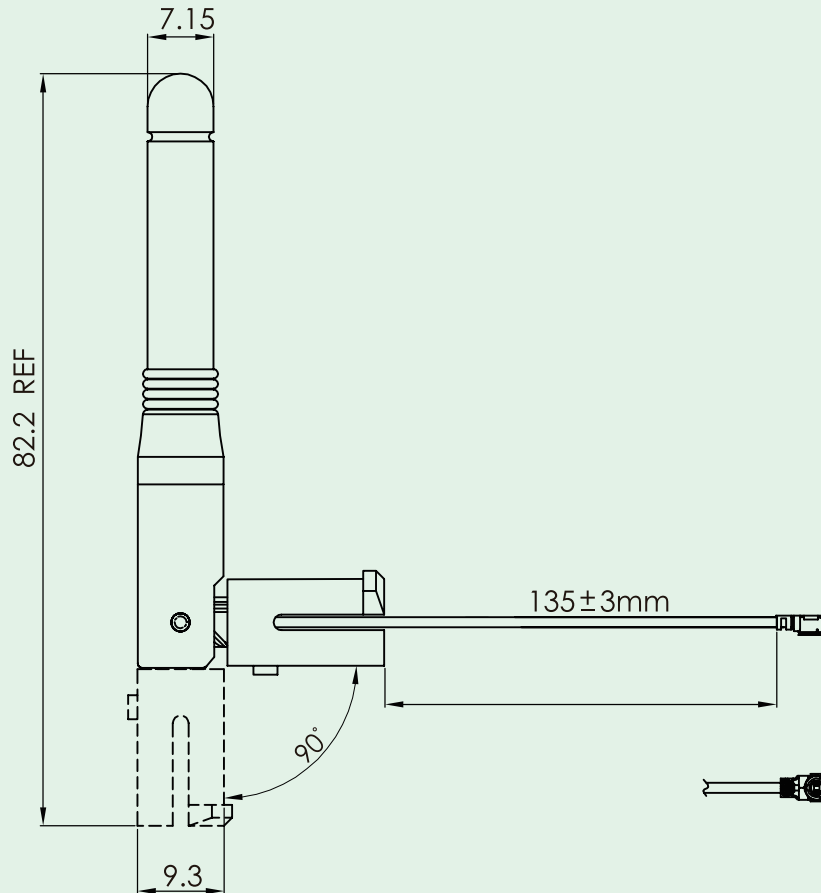
6601103081

Part number changes as per different option



2.4 GHz Swivel Antenna With Cable

KINSUN



Product Data:

ROHS - Compliant

ELECTRICAL :

- Frequency Range : 2.4 GHz
- Impedance : 50 ohm
- VSWR : ≤ 2.0
- Gain : Depend on length
- Radiation : Omni
- Polarization : Linear

MECHANICAL :

- Antenna Housing : Engineering Plastics
- Color : Black
- Operating Temperature : $-20^{\circ}\text{C} \sim +65^{\circ}\text{C}$
- Storage Temperature : $-30^{\circ}\text{C} \sim +75^{\circ}\text{C}$
- Connector : MHF (I - pex)
- Cable : 1.13

Part Number

| Optional Cable | Optional Connector |
|------------------|---------------------|
| 1.13 RG - 178 | NO MHF (I - pex) |

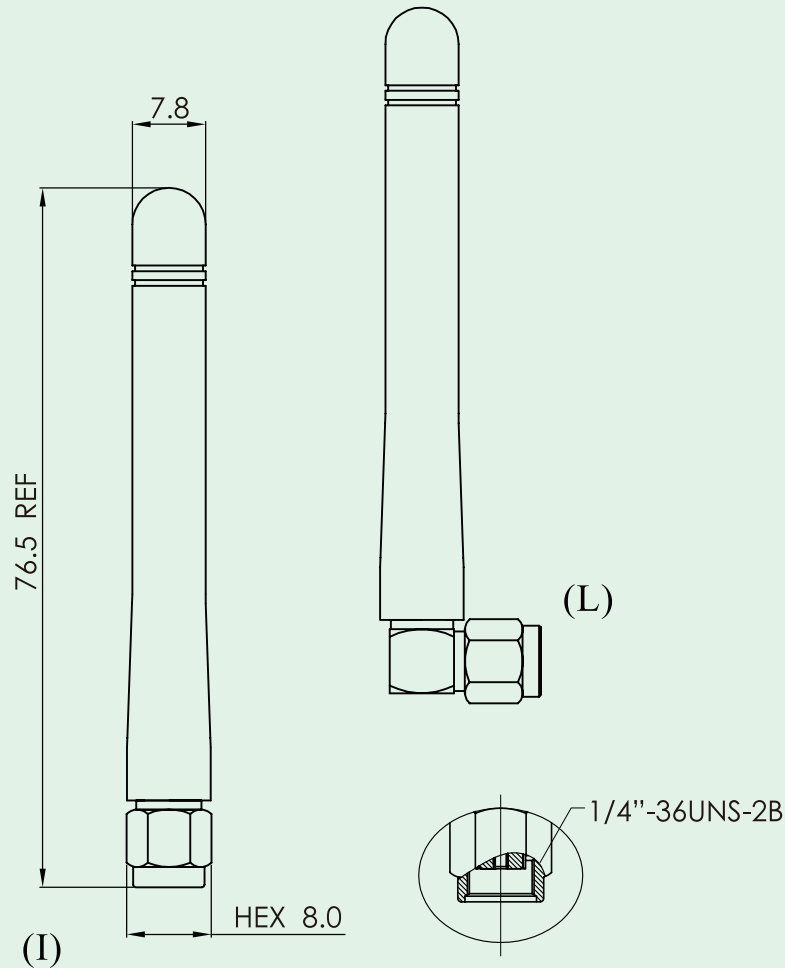
6601113381-135

Part number changes as per different option



2.4 GHz Shorter Antenna

KINSUN



Product Data:

ROHS - Compliant

ELECTRICAL :

- Frequency Range : 2.4 GHz
- Impedance : 50 ohm
- VSWR : ≤ 2.0
- Gain : 1 dBi
- Radiation : Omni
- Polarization : Linear

MECHANICAL :

- Antenna Housing : Engineering Plastics
- Color : Black
- Operating Temperature : $-20^{\circ}\text{C} \sim +65^{\circ}\text{C}$
- Storage Temperature : $-30^{\circ}\text{C} \sim +75^{\circ}\text{C}$
- Connector : SMA Male Reverse

Part Number

6602119081(I)

6602104081(L)

Optional Connector

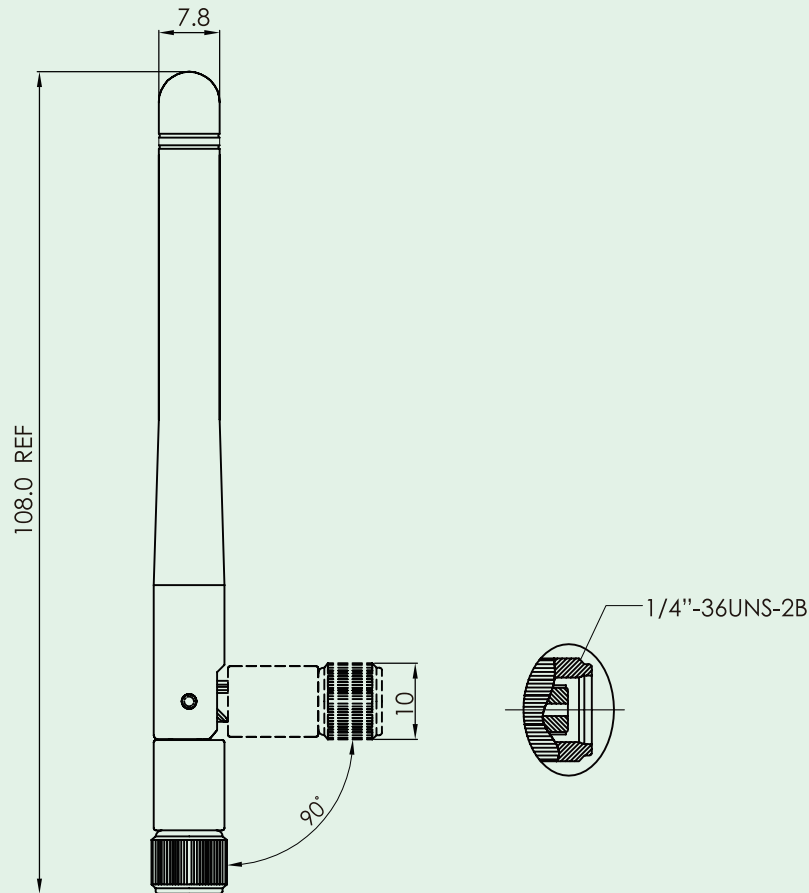
SMA Male
SMA Male Reverse

Part number changes as per different option



2.4 GHz Swivel Antenna

KINSUN



Product Data:

ROHS - Compliant

ELECTRICAL :

- Frequency Range : 2.4 GHz
- Impedance : 50 ohm
- VSWR : ≤ 2.0
- Gain : 1 ~ 2 dBi
- Radiation : Omni
- Polarization : Linear

MECHANICAL :

- Antenna Housing : Engineering Plastics
- Color : Black
- Operating Temperature : $-20^{\circ}\text{C} \sim +65^{\circ}\text{C}$
- Storage Temperature : $-30^{\circ}\text{C} \sim +75^{\circ}\text{C}$
- Connector : SMA Male Reverse

Part Number

Optional Connector

- SMA Male
- SMA Male Reverse

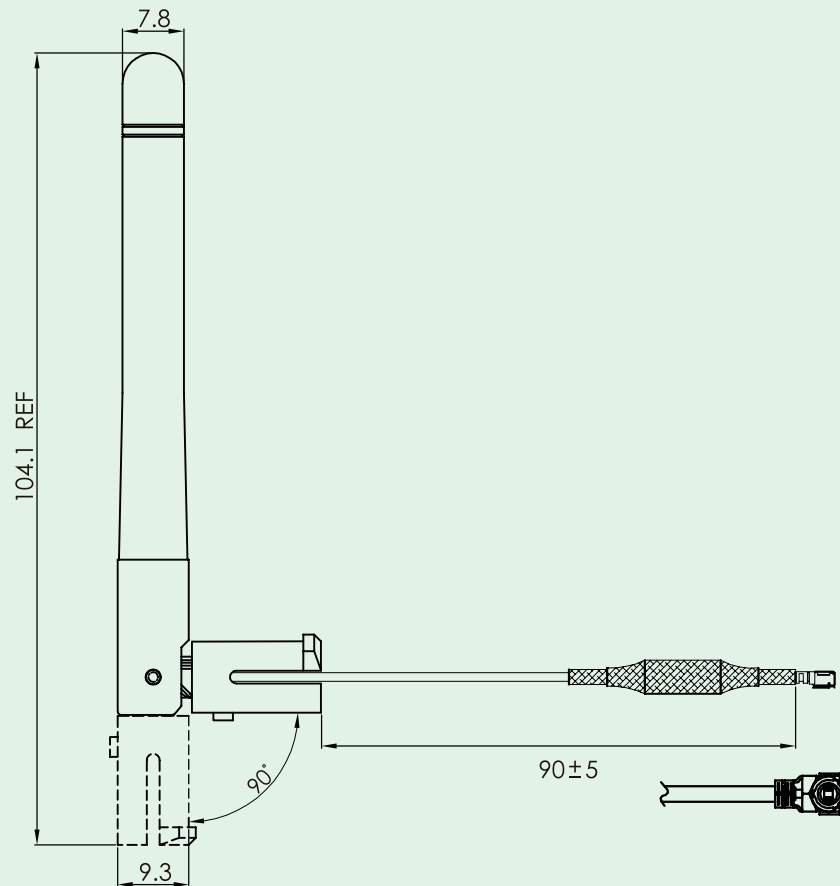
6602103081

Part number changes as per different option



2.4 GHz Swivel Antenna With Cable

KINSUN



Product Data:

ROHS - Compliant

ELECTRICAL :

- Frequency Range : 2.4 GHz
- Impedance : 50 ohm
- VSWR : ≤ 2.0
- Gain : Depend on length
- Radiation : Omni
- Polarization : Linear

MECHANICAL :

- Antenna Housing : Engineering Plastics
- Color : Black
- Operating Temperature : $-20^{\circ}\text{C} \sim +65^{\circ}\text{C}$
- Storage Temperature : $-30^{\circ}\text{C} \sim +75^{\circ}\text{C}$
- Connector : MHF (I - pex)
- Cable : 1.13

Part Number

| Optional Cable | Optional Connector |
|------------------|---------------------|
| 1.13 RG - 178 | NO MHF (I - pex) |

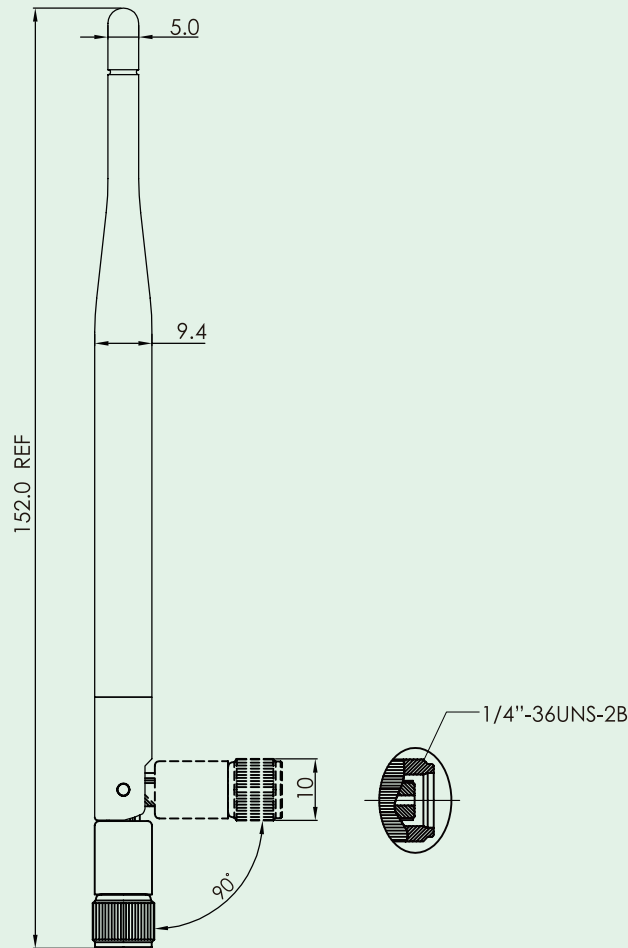
6602113051-090

Part number changes as per different option



2.4 GHz High Gain Antenna

KINSUN



Product Data:

ROHS - Compliant

ELECTRICAL :

- Frequency Range : 2.4 GHz
- Impedance : 50 ohm
- VSWR : ≤ 2.0
- Gain : 4 dBi
- Radiation : Omni
- Polarization : Linear

MECHANICAL :

- Antenna Housing : Engineering Plastics
- Color : Black
- Operating Temperature : $-20^{\circ}\text{C} \sim +65^{\circ}\text{C}$
- Storage Temperature : $-30^{\circ}\text{C} \sim +75^{\circ}\text{C}$
- Connector : SMA Male Reverse

Part Number

Optional Connector

- SMA Male
- SMA Male Reverse

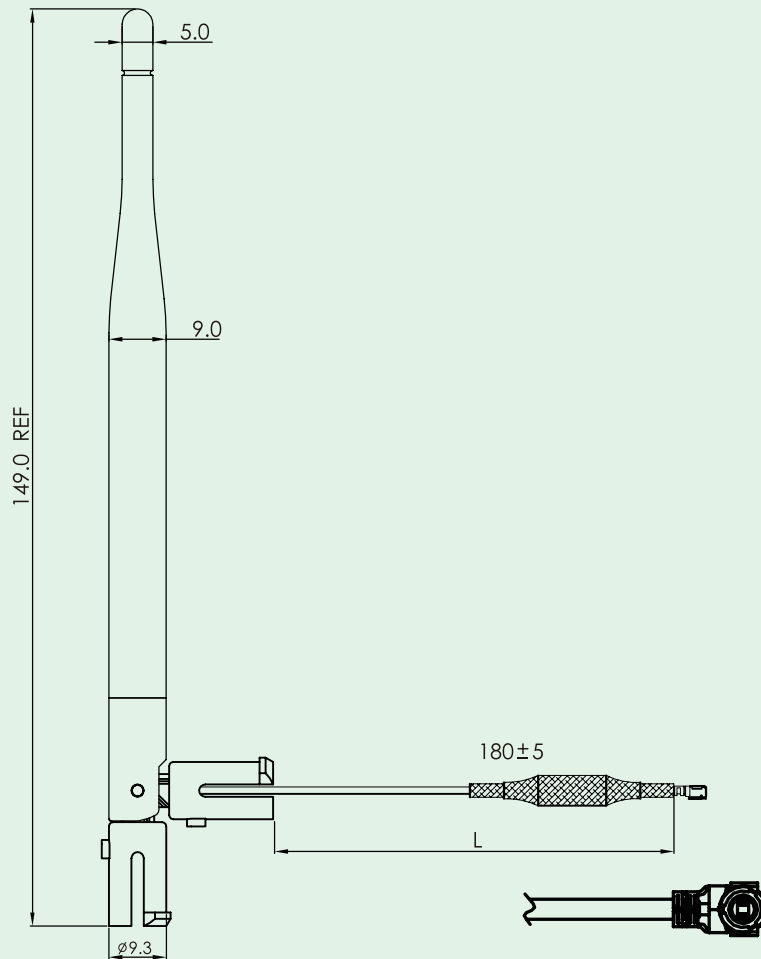
6603A03081

Part number changes as per different option



2.4 GHz Swivel Antenna With Cable

KINSUN



Product Data:

ROHS - Compliant

ELECTRICAL :

- Frequency Range : 2.4 GHz
- Impedance : 50 ohm
- VSWR : ≤ 2.0
- Gain : Depend on length
- Radiation : Omni
- Polarization : Linear

MECHANICAL :

- Antenna Housing : Engineering Plastics
- Color : Black
- Operating Temperature : $-20^{\circ}\text{C} \sim +65^{\circ}\text{C}$
- Storage Temperature : $-30^{\circ}\text{C} \sim +75^{\circ}\text{C}$
- Connector : MHF (I - pex)
- Cable : 1.13

Part Number

6603113051-180

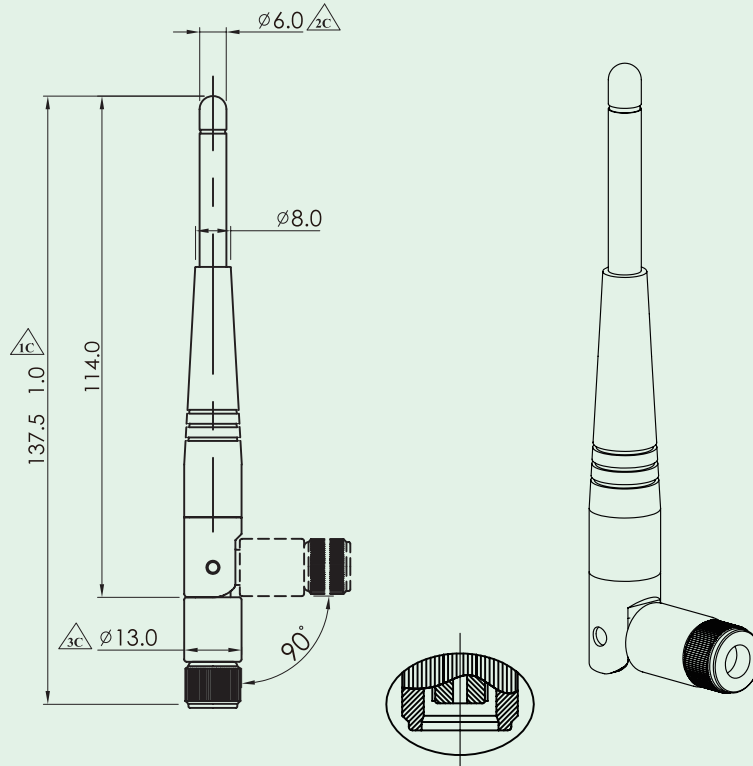
| Optional Cable | Optional Connector |
|------------------|---------------------|
| 1.13 RG - 178 | NO MHF (I - pex) |

Part number changes as per different option



2.4 GHz Swivel Antenna

KINSUN



Product Data:

ROHS - Compliant

ELECTRICAL :

- Frequency Range : 2.4 GHz
- Impedance : 50 ohm
- VSWR : ≤ 2.0
- Gain : ≤ 3.0 dBi
- Radiation : Omni
- Polarization : Linear

MECHANICAL :

- Antenna Housing : Engineering Plastics
- Color : Black
- Operating Temperature : $-20^{\circ}\text{C} \sim +65^{\circ}\text{C}$
- Storage Temperature : $-30^{\circ}\text{C} \sim +75^{\circ}\text{C}$
- Connector : SMA Male Reverse

Part Number

6604103081

Optional Connector

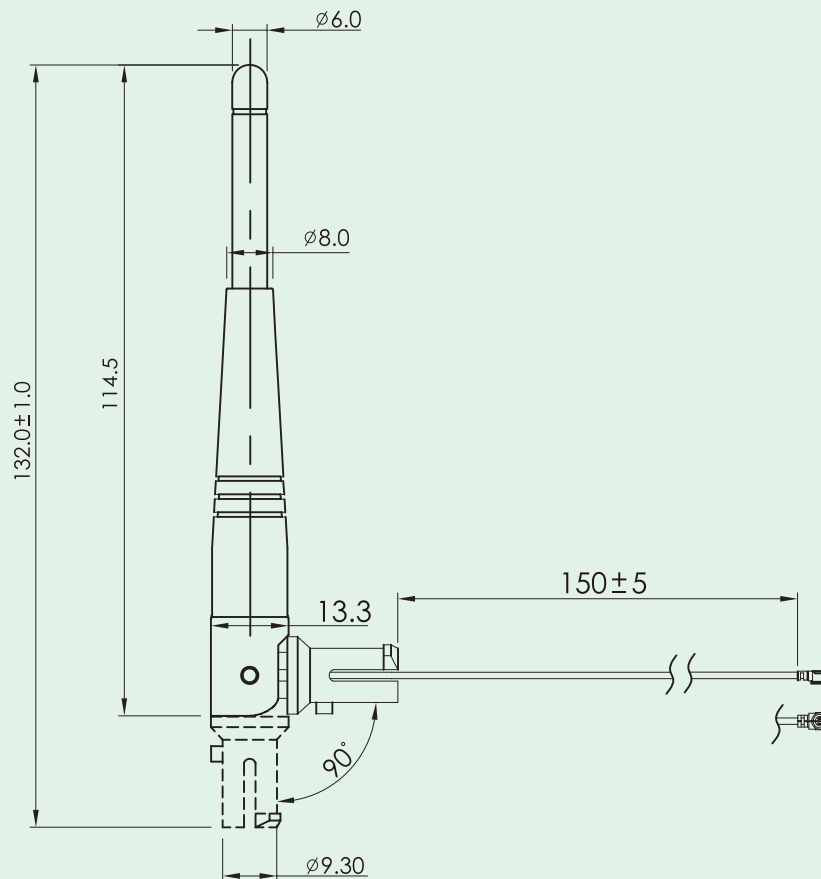
SMA Male
SMA Male Reverse
BNC Male
TNC Male
TNC Male Reverse

Part number changes as per different option



2.4 GHz Swivel Antenna With Cable

KINSUN



Product Data:

ROHS - Compliant

ELECTRICAL :

- Frequency Range : 2.4 GHz
- Impedance : 50 ohm
- VSWR : ≤ 2.0
- Gain : Depend on length
- Radiation : Omni
- Polarization : Linear

MECHANICAL :

- Antenna Housing : Engineering Plastics
- Color : Black
- Operating Temperature : $-20^{\circ}\text{C} \sim +65^{\circ}\text{C}$
- Storage Temperature : $-30^{\circ}\text{C} \sim +75^{\circ}\text{C}$
- Connector : MHF (I-pex)
- Cable : 1.13

Part Number

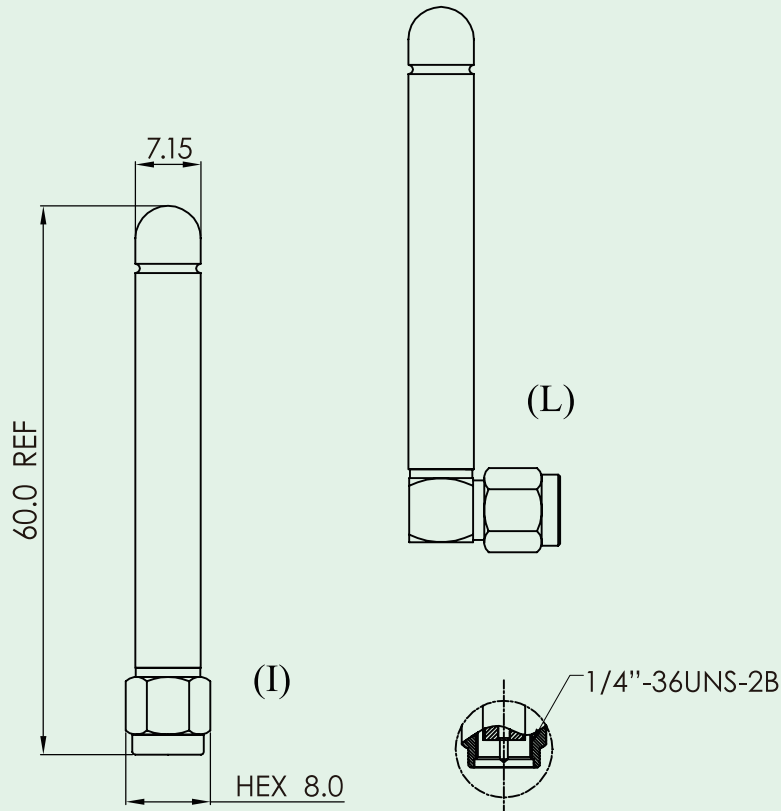
6604113035-150

Part number changes as per different option



2.4 GHz Short Antenna

KINSUN



Product Data:

ROHS - Compliant

ELECTRICAL :

- Frequency Range : 2.4 GHz
- Impedance : 50 ohm
- VSWR : ≤ 2.0
- Gain : 0 ~ 1 dBi
- Radiation : Omni
- Polarization : Linear

MECHANICAL :

- Antenna Housing : Engineering Plastics
- Color : Black
- Operating Temperature : $-20^{\circ}\text{C} \sim +65^{\circ}\text{C}$
- Storage Temperature : $-30^{\circ}\text{C} \sim +75^{\circ}\text{C}$
- Connector : SMA Male Reverse

Part Number

6605103161(I)

6605104081(L)

Optional Connector

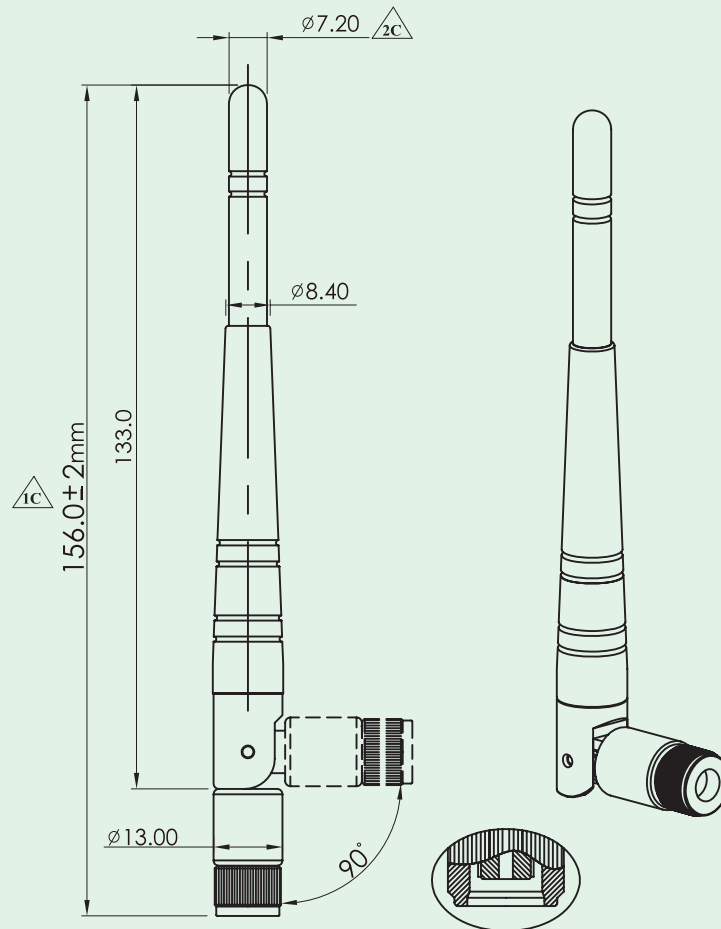
- SMA Male
- SMA Male Reverse
- SMA Male Right Angle
- SMA Male Right Angle Reverse

Part number changes as per different option



2.4 GHz High Gain Swivel Antenna

KINSUN



Product Data:

ROHS - Compliant

ELECTRICAL :

- Frequency Range : 2.4 GHz
- Impedance : 50 ohm
- VSWR : ≤ 2.0
- Gain : ≤ 4.0 dBi
- Radiation : Omni
- Polarization : Linear

MECHANICAL :

- Antenna Housing : Engineering Plastics
- Color : Black
- Operating Temperature : $-20^{\circ}\text{C} \sim +65^{\circ}\text{C}$
- Storage Temperature : $-30^{\circ}\text{C} \sim +75^{\circ}\text{C}$
- Connector : SMA Male Reverse

Part Number

6606 Series

Optional Connector

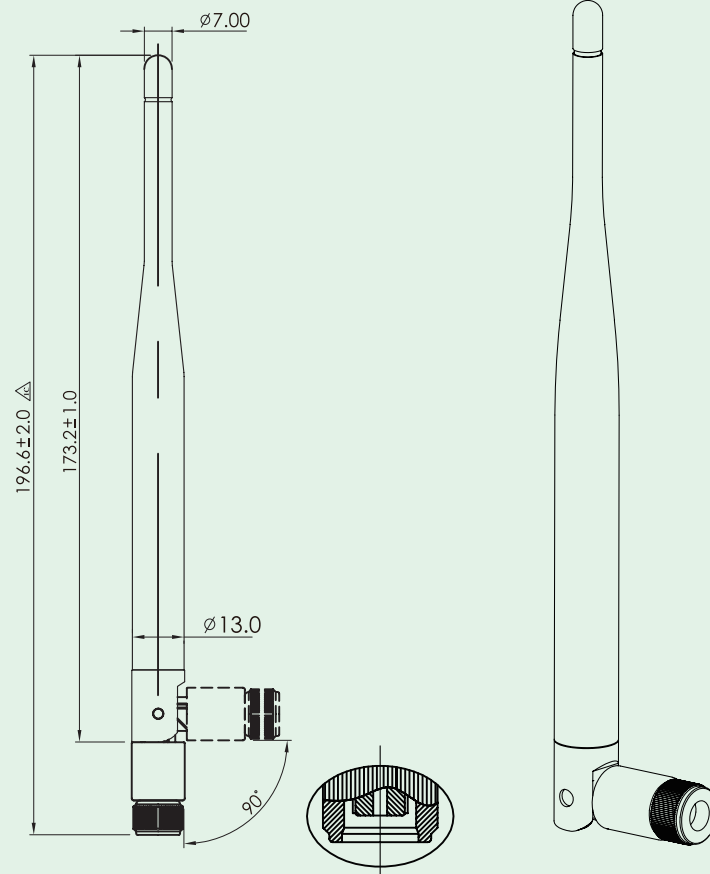
SMA Male
SMA Male Reverse
BNC Male
TNC Male
TNC Male Reverse

Part number changes as per different option



2.4 GHz High Gain Antenna

KINSUN



Product Data:

ROHS - Compliant

ELECTRICAL :

- Frequency Range : 2.4 GHz
- Impedance : 50 ohm
- VSWR : ≤ 2.0
- Gain : 5 dBi
- Radiation : Omni
- Polarization : Linear

MECHANICAL :

- Antenna Housing : Engineering Plastics
- Color : Black
- Operating Temperature : $-20^{\circ}\text{C} \sim +65^{\circ}\text{C}$
- Storage Temperature : $-30^{\circ}\text{C} \sim +75^{\circ}\text{C}$
- Connector : SMA Male Reverse

Part Number

6610103081

Optional Connector

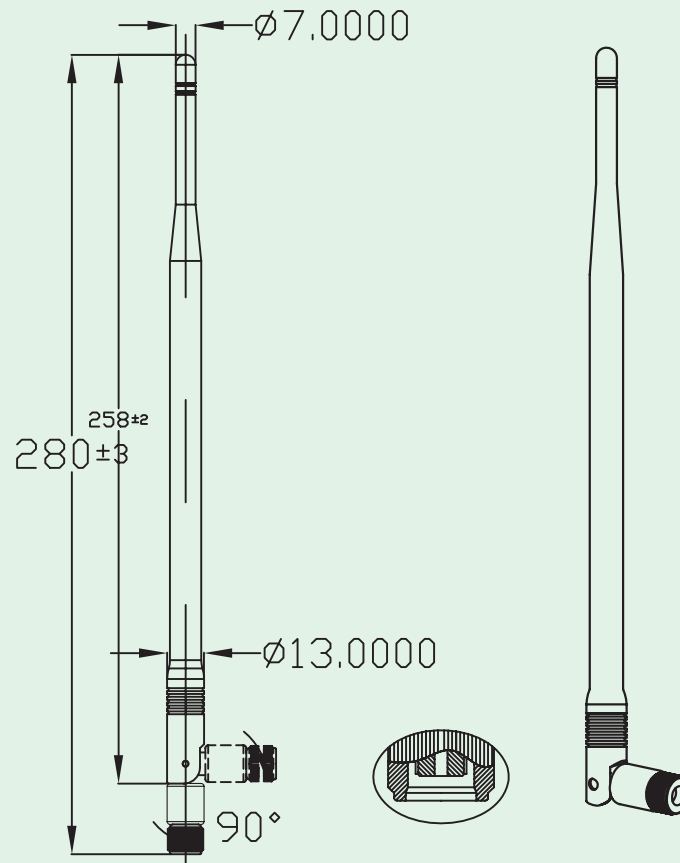
SMA Male
SMA Male Reverse
BNC Male
TNC Male
TNC Male Reverse

Part number changes as per different option



2.4 GHz 7 dBi Antenna

KINSUN



Product Data:

ROHS - Compliant

ELECTRICAL :

- Frequency Range : 2.4 GHz
- Impedance : 50 ohm
- VSWR : ≤ 2.0
- Gain : 7 dBi
- Radiation : Omni
- Polarization : Linear

MECHANICAL :

- Antenna Housing : Engineering Plastics
- Color : Black
- Operating Temperature : $-20^{\circ}\text{C} \sim +65^{\circ}\text{C}$
- Storage Temperature : $-30^{\circ}\text{C} \sim +75^{\circ}\text{C}$
- Connector : SMA Male Reverse

Part Number

Optional Connector

- SMA Male
- SMA Male Reverse

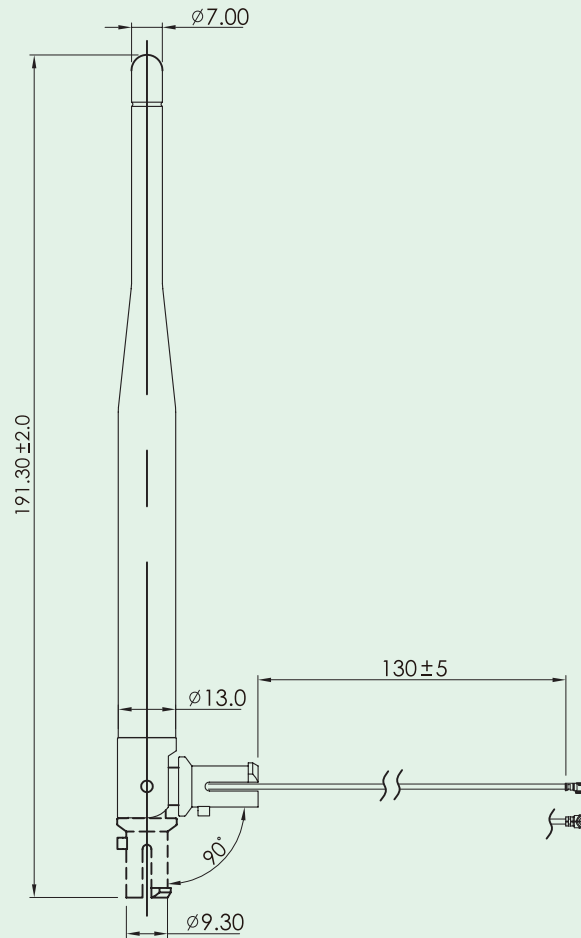
6612A00100

Part number changes as per different option



2.4 GHz Swivel Antenna With Cable

KINSUN



Product Data:

ROHS - Compliant

ELECTRICAL :

- Frequency Range : 2.4 ~ 2.5 GHz
- Impedance : 50 ohm
- VSWR : ≤ 2.0
- Gain : Depend on length
- Radiation : Omni
- Polarization : Linear

MECHANICAL :

- Antenna Housing : Engineering Plastics
- Color : Black
- Operating Temperature : $-20^{\circ}\text{C} \sim +65^{\circ}\text{C}$
- Storage Temperature : $-30^{\circ}\text{C} \sim +75^{\circ}\text{C}$
- Connector : MHF (I - pex)
- Cable : 1.13

Part Number

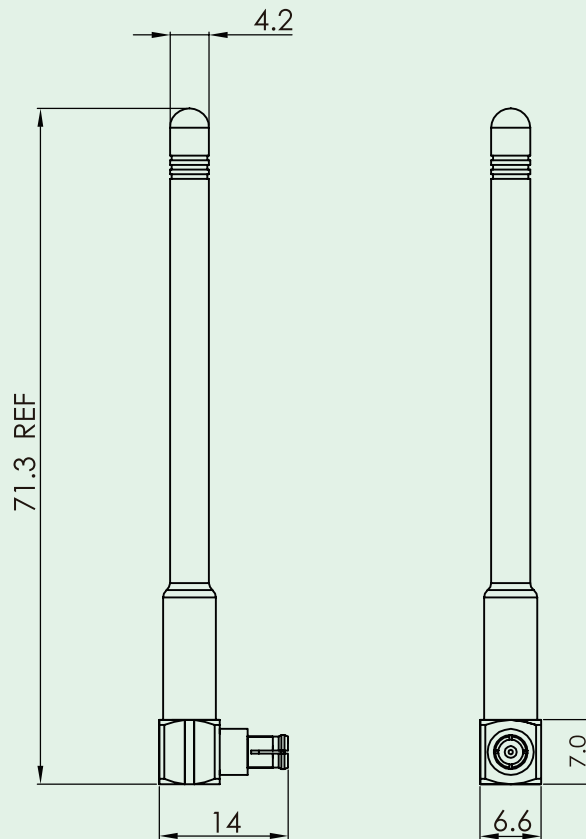
6610 Series

Part number changes as per different option



2.4 GHz Right Angle Antenna

KINSUN



Product Data:

ROHS - Compliant

ELECTRICAL :

- Frequency Range : 2.4 GHz
- Impedance : 50 ohm
- VSWR : ≤ 2.5
- Gain : 0 ~ 1 dBi
- Radiation : Omni
- Polarization : Linear

MECHANICAL :

- Antenna Housing : Engineering Plastics
- Color : Black
- Operating Temperature : $-20^{\circ}\text{C} \sim +65^{\circ}\text{C}$
- Storage Temperature : $-30^{\circ}\text{C} \sim +75^{\circ}\text{C}$
- Connector : MCX Male Right Angle

Part Number

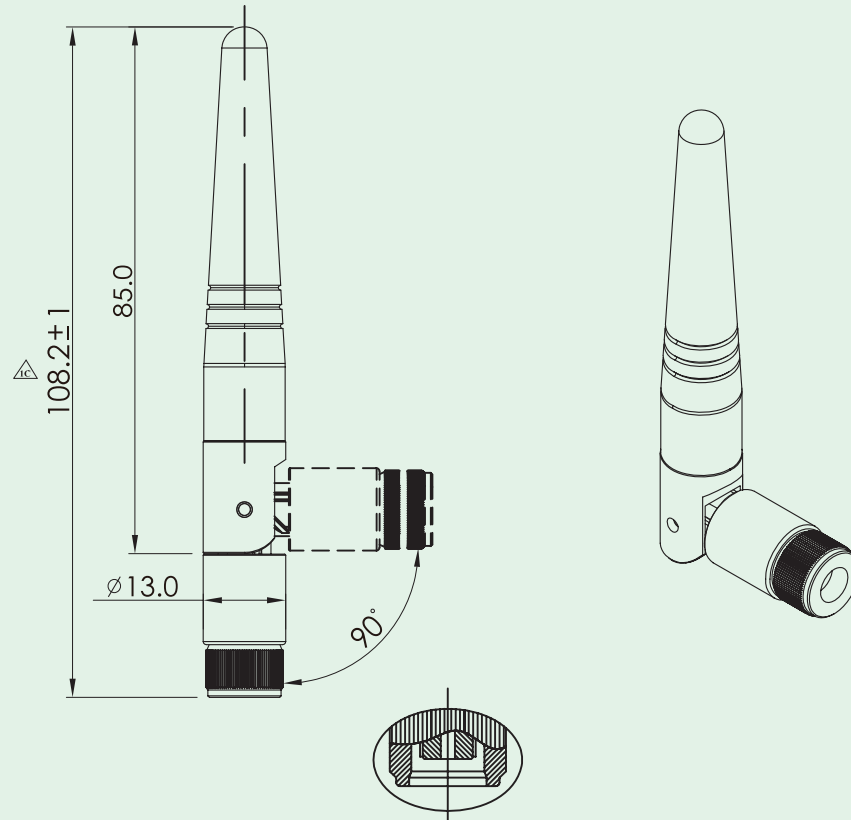
6621B01081

Part number changes as per different option



2.4 GHz Swivel Antenna

KINSUN



Product Data:

ROHS - Compliant

ELECTRICAL :

- Frequency Range : 2.4 GHz
- Impedance : 50 ohm
- VSWR : ≤ 2.0
- Gain : ≤ 2.0 dBi
- Radiation : Omni
- Polarization : Linear

MECHANICAL :

- Antenna Housing : Engineering Plastics
- Color : Black
- Operating Temperature : $-20^{\circ}\text{C} \sim +65^{\circ}\text{C}$
- Storage Temperature : $-30^{\circ}\text{C} \sim +75^{\circ}\text{C}$
- Connector : SMA Male Reverse

Part Number

6623C02000

Optional Connector

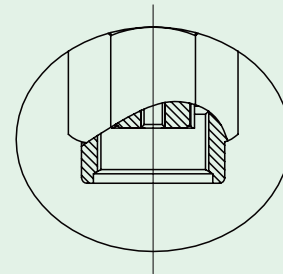
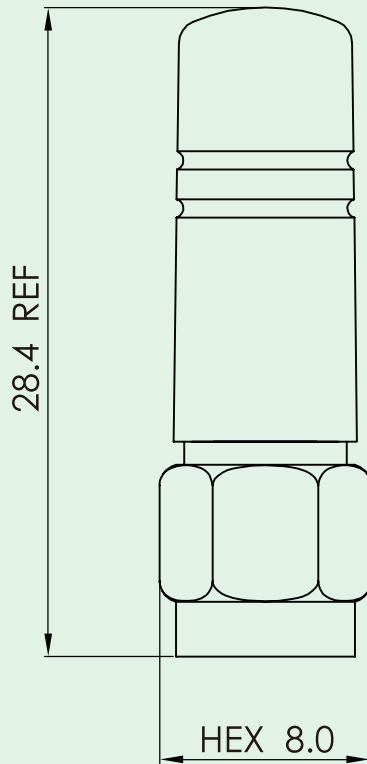
SMA Male
SMA Male Reverse
BNC Male
TNC Male
MHF (I - pex)
TNC Male Reverse

Part number changes as per different option



2.4 GHz Stubby Antenna

KINSUN



Product Data:

ROHS - Compliant

ELECTRICAL :

- Frequency Range : 2.4 GHz
- Impedance : 50 ohm
- VSWR : ≤ 2.5
- Gain : 0 ~ 1 dBi
- Radiation : Omni
- Polarization : Linear

MECHANICAL :

- Antenna Housing : Engineering Plastics
- Color : Black
- Operating Temperature : $-20^{\circ}\text{C} \sim +65^{\circ}\text{C}$
- Storage Temperature : $-30^{\circ}\text{C} \sim +75^{\circ}\text{C}$
- Connector : SMA Male Reverse

Part Number

Optional Connector

SMA Male
SMA Male Reverse

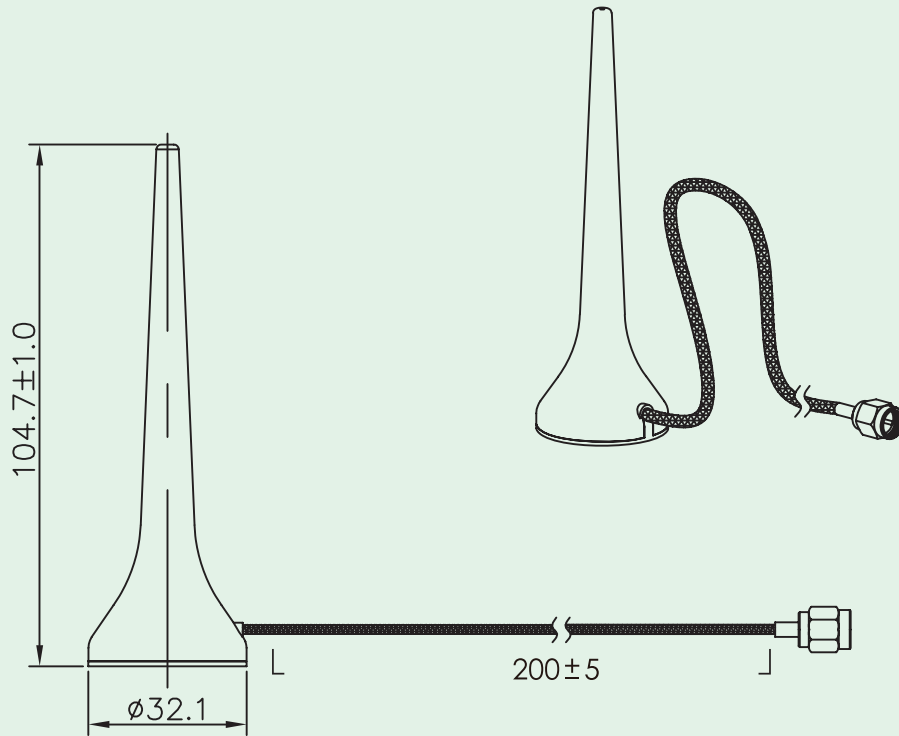
6625I02000

Part number changes as per different option



WiFi 2.4 GHz Magnetic Antenna

KINSUN



Product Data:

ROHS - Compliant

ELECTRICAL :

- Frequency Range : 2.4 GHz
- Impedance : 50 ohm
- VSWR : ≤ 2.0
- Gain : 1 dBi
- Radiation : Omni
- Polarization : Linear

MECHANICAL :

- Antenna Housing : Engineering Plastics
- Color : Black
- Operating Temperature : $-20^{\circ}\text{C} \sim +65^{\circ}\text{C}$
- Storage Temperature : $-30^{\circ}\text{C} \sim +75^{\circ}\text{C}$
- Connector : SMA Male
- Cable : RG - 178

Part Number

6640101081-200

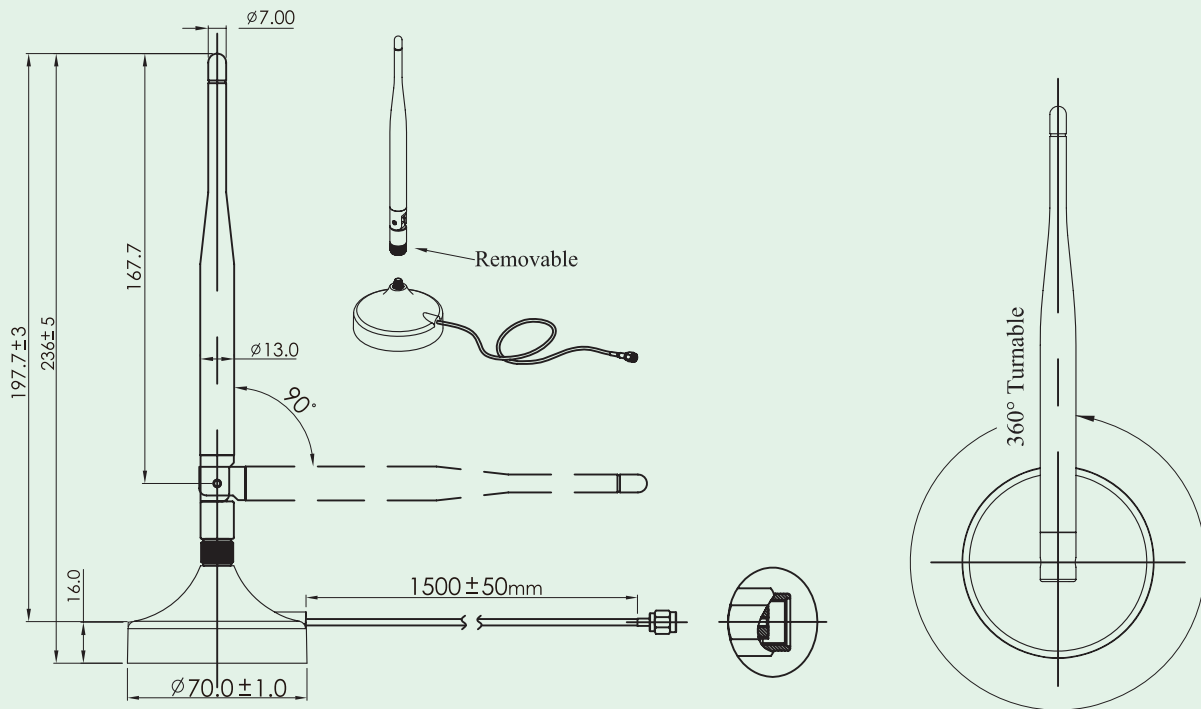
| Optional Cable | Optional Connector |
|----------------|------------------------------|
| RG - 174 | NO |
| RG - 316 | SMA Male |
| RG - 178 | SMA Male Reverse |
| | SMA Male Right Angle |
| | SMA Male Right Angle Reverse |
| | MCX Male |
| | MCX Male Right Angle |
| | MMCX Male |
| | MMCX Male Right Angle |
| | TNC Male |

Part number changes as per different option



2.4 GHz Swivel Antenna With Magnetic

KINSUN



Product Data:

ROHS - Compliant

ELECTRICAL :

- Frequency Range : 2.4 GHz
- Impedance : 50 ohm
- VSWR : ≤ 2.0
- Radiation : Omni
- Polarization : Linear

MECHANICAL :

- Antenna Housing : Engineering Plastics
- Color : Black
- Operating Temperature : $-20^{\circ}\text{C} \sim +65^{\circ}\text{C}$
- Storage Temperature : $-30^{\circ}\text{C} \sim +75^{\circ}\text{C}$
- Connector : SMA Male Reverse
- Cable : Coaxial Cable RG - 174

Part Number

6642B03141-15M

Part number changes as per different option

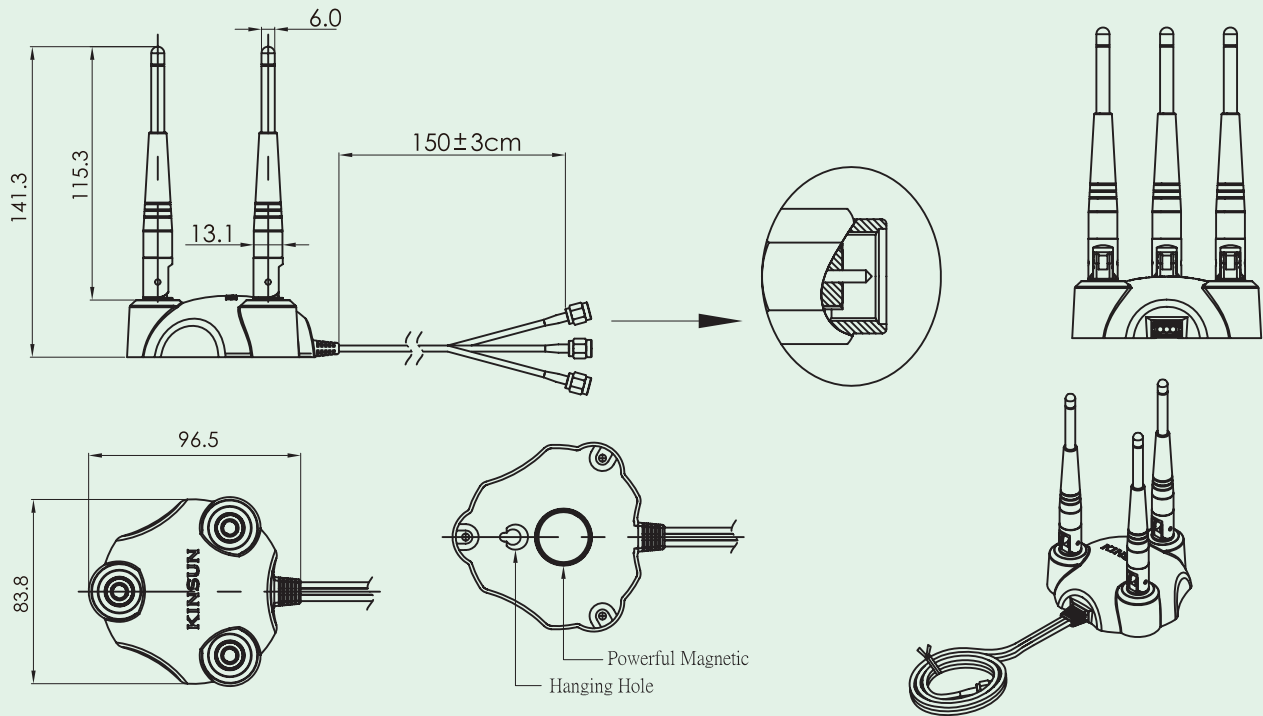
Optional Connector

SMA Male
SMA Male Reverse
SMA Male Right Angle
SMA Male Right Angle Reverse
SMA Female
SMA Female Reverse
MCX Male
MCX Male Right Angle
MMCX Male
MMCX Male Right Angle
BNC Male
TNC Male
N Male
N Female
FME Female
IEC Male



Mimo Antenna With Magnetic

KINSUN



Product Data:

ROHS - Compliant

ELECTRICAL :

- Frequency Range : 2.4 GHz
- Impedance : 50 ohm
- VSWR : ≤ 2.0
- Radiation : Omni
- Polarization : Linear

MECHANICAL :

- Antenna Housing : Engineering Plastics
- Color : Black
- Operating Temperature : $-20^{\circ}\text{C} \sim +65^{\circ}\text{C}$
- Storage Temperature : $-30^{\circ}\text{C} \sim +75^{\circ}\text{C}$
- Connector : SMA Male
- Cable : Coaxial Cable RG - 174

Part Number

6680101111-15M

Part number changes as per different option

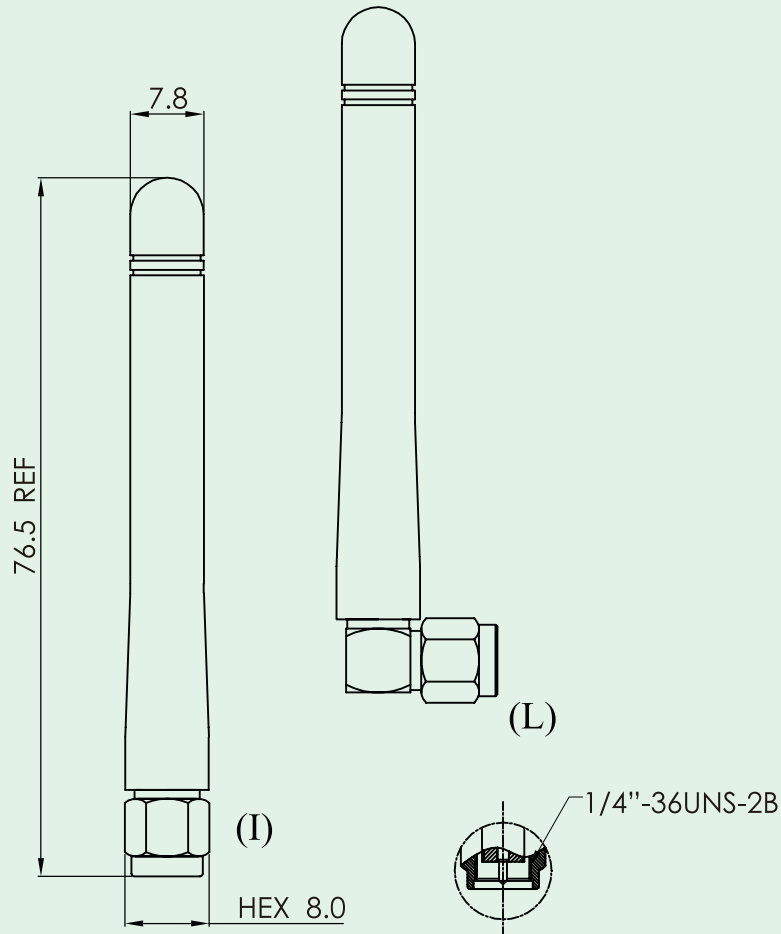
Optional Connector

- SMA Male
- SMA Male Reverse
- SMA Male Right Angle
- SMA Male Right Angle Reverse
- SMA Female
- SMA Female Reverse
- MCX Male
- MCX Male Right Angle
- MMCX Male
- MMCX Male Right Angle
- BNC Male
- TNC Male
- N Male
- N Female
- FME Female
- IEC Male



5.8 GHz Antenna

KINSUN



Product Data:

ROHS - Compliant

ELECTRICAL :

- Frequency Range : 5.8 GHz
- Impedance : 50 ohm
- VSWR : ≤ 2.0
- Gain : 2 dBi
- Radiation : Omni
- Polarization : Linear

MECHANICAL :

- Antenna Housing : Engineering Plastics
- Color : Black
- Operating Temperature : $-20^{\circ}\text{C} \sim +65^{\circ}\text{C}$
- Storage Temperature : $-30^{\circ}\text{C} \sim +75^{\circ}\text{C}$
- Connector : SMA Male

Part Number

6602218081(I)

6602222081(L)

Optional Connector

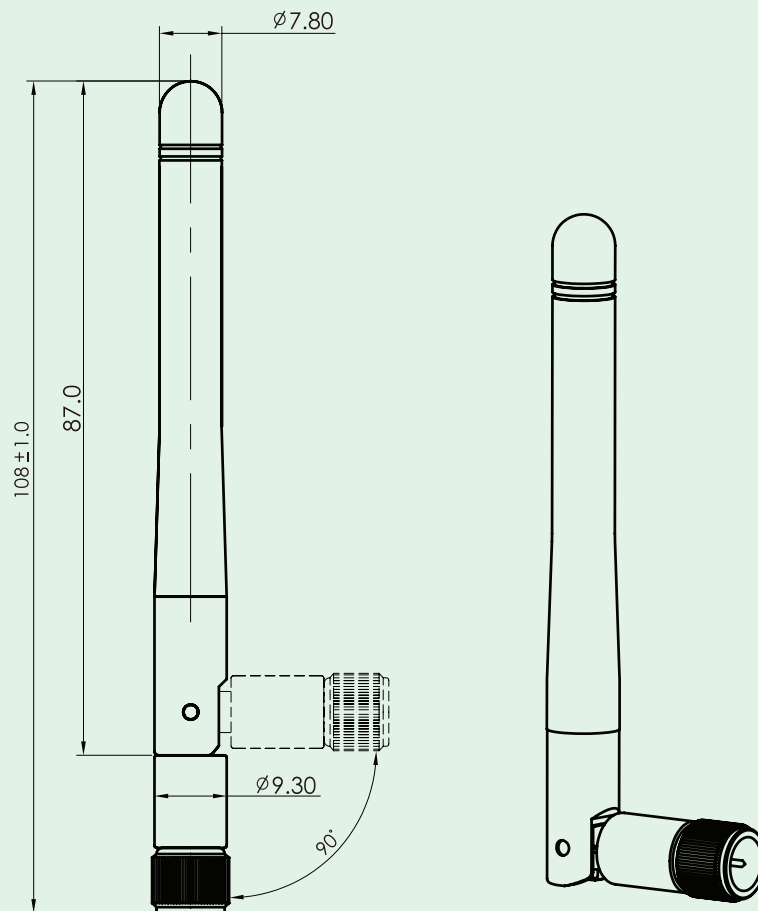
- SMA Male
- SMA Male Reverse
- SMA Male Right Angle
- SMA Male Right Angle Reverse

Part number changes as per different option



5.8 GHz Swivel Antenna

KINSUN



Product Data:

ROHS - Compliant

ELECTRICAL :

- Frequency Range : 5.8 GHz
- Impedance : 50 ohm
- VSWR : ≤ 2.0
- Gain : 2 dBi
- Radiation : Omni
- Polarization : Linear

MECHANICAL :

- Antenna Housing : Engineering Plastics
- Color : Black
- Operating Temperature : $-20^{\circ}\text{C} \sim +65^{\circ}\text{C}$
- Storage Temperature : $-30^{\circ}\text{C} \sim +75^{\circ}\text{C}$
- Connector : SMA Male

Part Number

Optional Connector

- SMA Male
- SMA Male Reverse

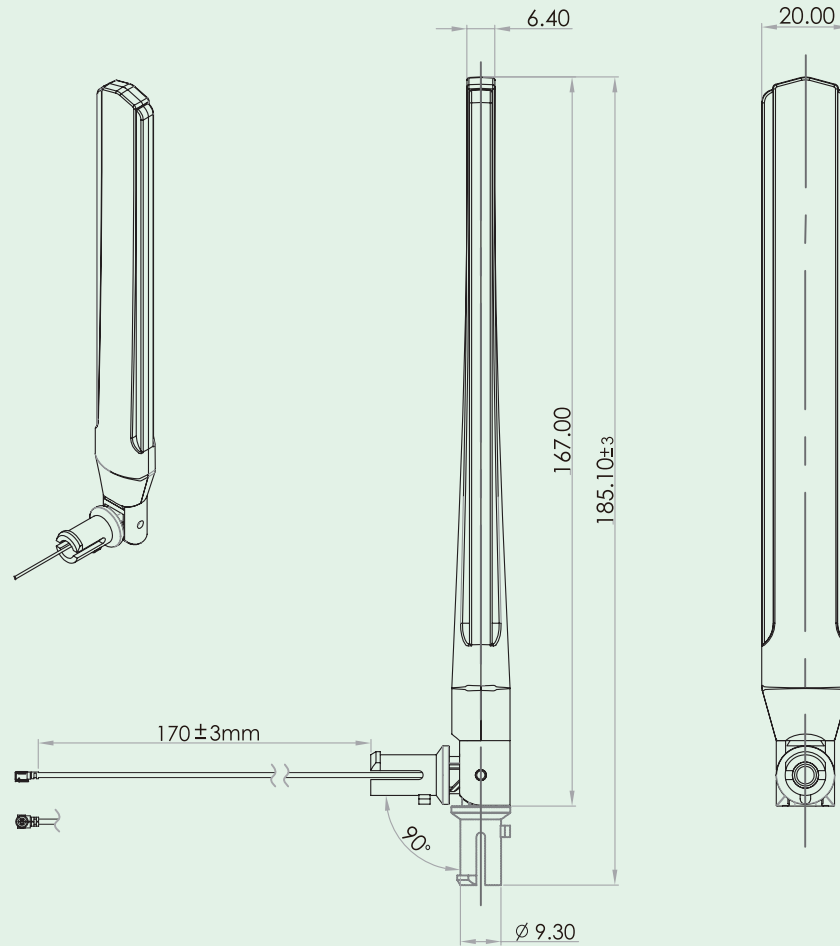
6602201001

Part number changes as per different option



Dual Band Antenna 2.4 & 5 GHz With Cable

KINSUN



Product Data:

ROHS - Compliant

ELECTRICAL :

- Frequency Range : 2.4 & 5 GHz
- Impedance : 50 ohm
- VSWR : ≤ 2.0
- Gain : Depend on Length
- Radiation : Omni
- Polarization : Linear

MECHANICAL :

- Antenna Housing : Engineering Plastics
- Color : Black
- Operating Temperature : $-20^{\circ}\text{C} \sim +65^{\circ}\text{C}$
- Storage Temperature : $-30^{\circ}\text{C} \sim +75^{\circ}\text{C}$
- Connector : MHF (I - pex)
- Cable : 1.13

Part Number

6624 Series

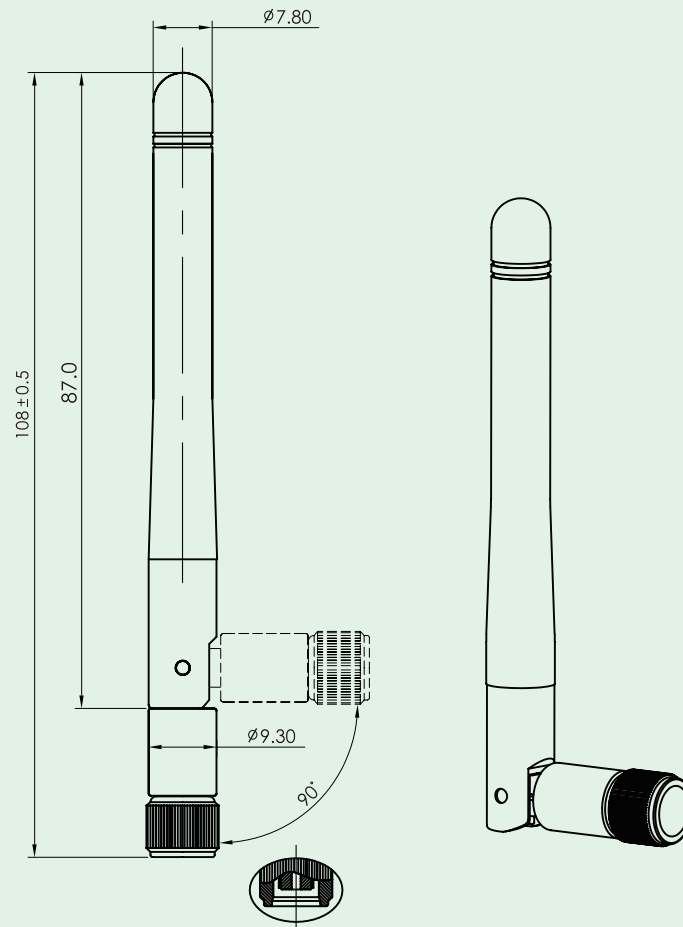
| Optional Cable | Optional Connector |
|----------------|-----------------------|
| NO | NO |
| 1.13 | SMA Male |
| RG - 178 | SMA Male Reverse |
| | SMA Male Right Angle |
| | MCX Male |
| | MCX Male Right Angle |
| | MMCX Male |
| | MMCX Male Right Angle |
| | MHF (I - pex) |

Part number changes as per different option



Dual Band Swivel Antenna 2.4 & 5.8 GHz

KINSUN



Product Data:

ROHS - Compliant

ELECTRICAL :

- Frequency Range : 2.4 & 5.8 GHz
- Impedance : 50 ohm
- VSWR : ≤ 2.0
- Gain : 2.4 GHz : 2 dBi , 5.8 GHz : 3 dBi
- Radiation : Omni
- Polarization : Linear

MECHANICAL :

- Antenna Housing : Engineering Plastics
- Color : Black
- Operating Temperature : $-20^{\circ}\text{C} \sim +65^{\circ}\text{C}$
- Storage Temperature : $-30^{\circ}\text{C} \sim +75^{\circ}\text{C}$
- Connector : SMA Male Reverse

Part Number

Optional Connector

SMA Male
SMA Male Reverse

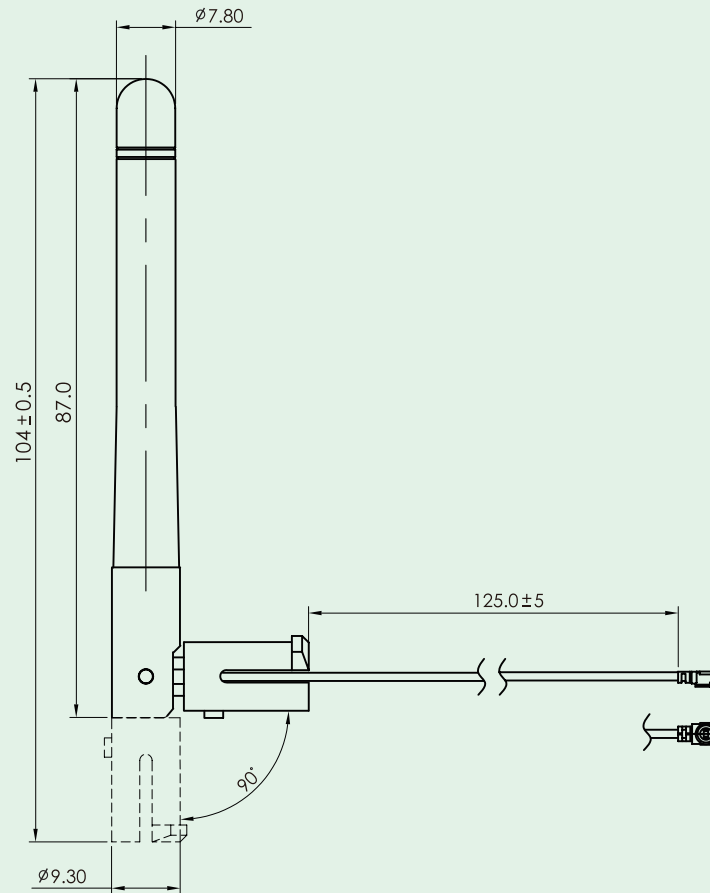
6602303081

Part number changes as per different option



Dual Band Antenna With Cable 2.4 & 5.8 GHz

KINSUN



Product Data:

ROHS - Compliant

ELECTRICAL :

- Frequency Range : 2.4 & 5.8 GHz
- Impedance : 50 ohm
- VSWR : ≤ 2.0
- Gain : Depend on length
- Radiation : Omni
- Polarization : Linear

MECHANICAL :

- Antenna Housing : Engineering Plastics
- Color : Black
- Operating Temperature : $-20^{\circ}\text{C} \sim +65^{\circ}\text{C}$
- Storage Temperature : $-30^{\circ}\text{C} \sim +75^{\circ}\text{C}$
- Connector : MHF (I - pex)
- Cable : 1.13

Part Number

| Optional Cable | Optional Connector |
|------------------|---------------------|
| 1.13 RG - 178 | NO MHF (I - pex) |

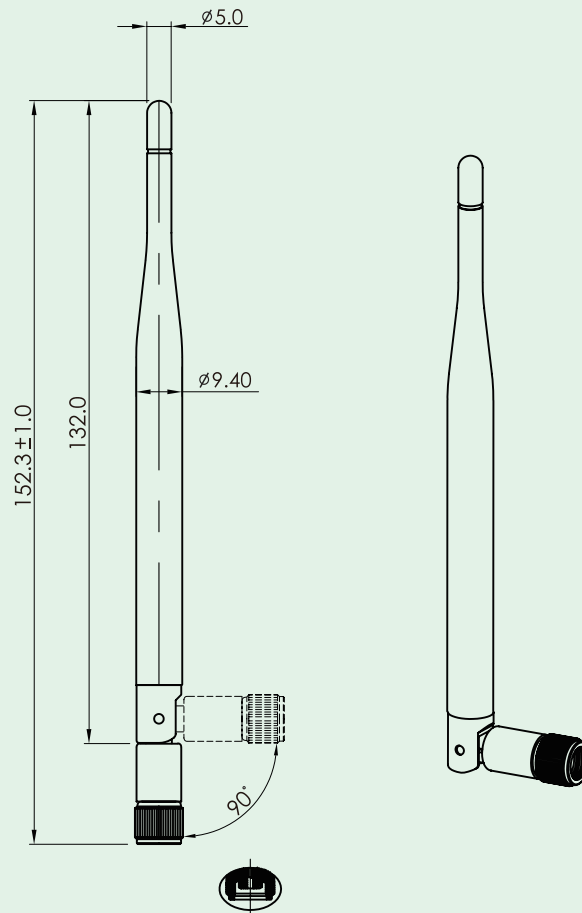
6602313031-125

Part number changes as per different option



Dual Band Swivel Antenna 2.4 & 5.8 GHz

KINSUN



Product Data:

ROHS - Compliant

ELECTRICAL :

- Frequency Range : 2.4 & 5.8 GHz
- Impedance : 50 ohm
- VSWR : ≤ 2.0
- Gain : 2.4 GHz : 2 dBi , 5.8 GHz : 3 dBi
- Radiation : Omni
- Polarization : Linear

MECHANICAL :

- Antenna Housing : Engineering Plastics
- Color : Black
- Operating Temperature : $-20^{\circ}\text{C} \sim +65^{\circ}\text{C}$
- Storage Temperature : $-30^{\circ}\text{C} \sim +75^{\circ}\text{C}$
- Connector : SMA Male Reverse

Part Number

Optional Connector

SMA Male
SMA Male Reverse

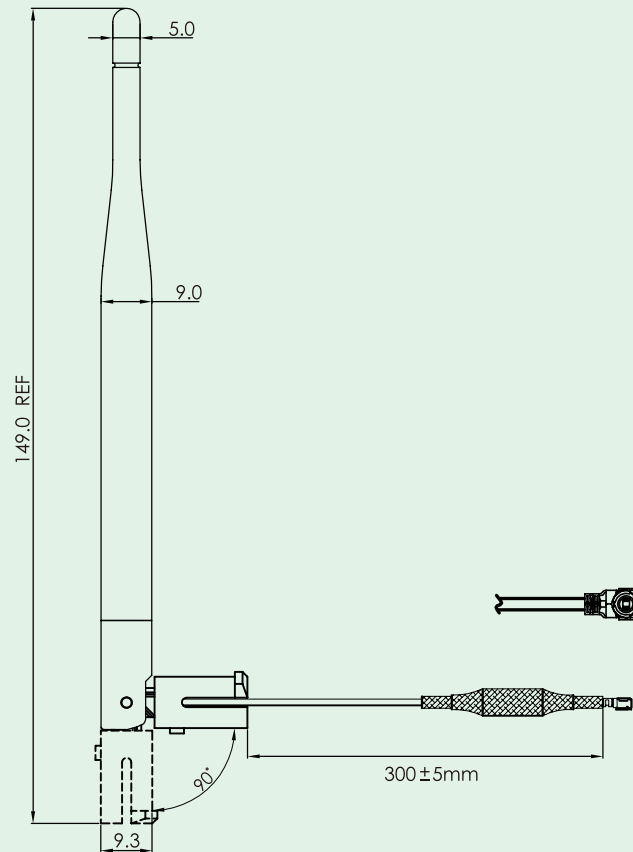
6603303081

Part number changes as per different option



Dual Band Antenna With Cable 2.4 & 5.8 GHz

KINSUN



Product Data:

ROHS - Compliant

ELECTRICAL :

- Frequency Range : 2.4 & 5.8 GHz
- Impedance : 50 ohm
- VSWR : ≤ 2.0
- Gain : Depend on length
- Radiation : Omni
- Polarization : Linear

MECHANICAL :

- Antenna Housing : Engineering Plastics
- Color : Black
- Operating Temperature : $-20^{\circ}\text{C} \sim +65^{\circ}\text{C}$
- Storage Temperature : $-30^{\circ}\text{C} \sim +75^{\circ}\text{C}$
- Connector : MHF (I - pex)
- Cable : 1.13

Part Number

| Optional Cable | Optional Connector |
|------------------|---------------------|
| 1.13 RG - 178 | NO MHF (I - pex) |

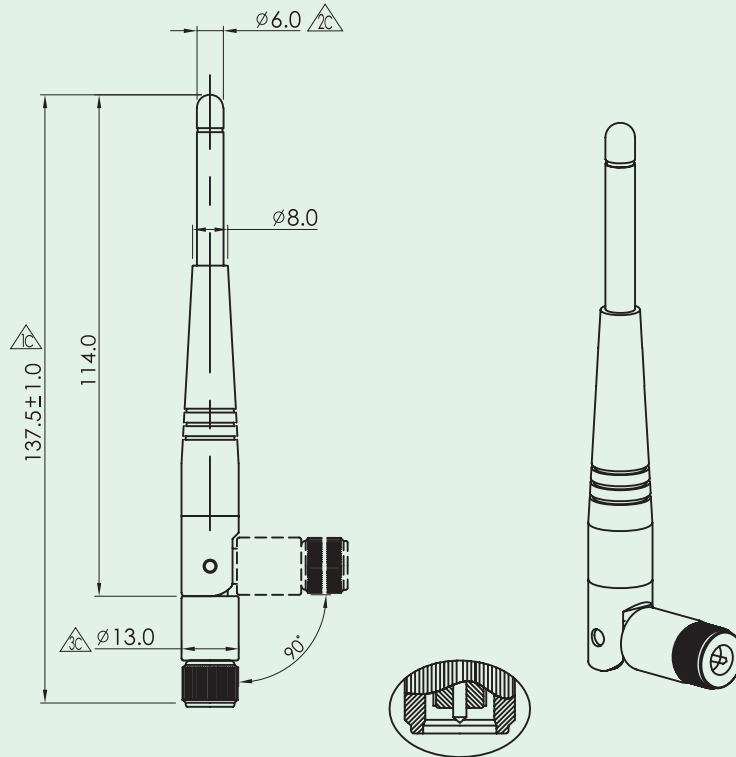
6603313051-300

Part number changes as per different option



Dual Band Antenna 2.4 & 5.8 GHz

KINSUN



Product Data:

ROHS - Compliant

ELECTRICAL :

- Frequency Range : 2.4 & 5.8 GHz
- Impedance : 50 ohm
- VSWR : ≤ 2.0
- Gain : 2.4 GHz : 2 dBi , 5.8 GHz : 3 dBi
- Radiation : Omni
- Polarization : Linear

MECHANICAL :

- Antenna Housing : Engineering Plastics
- Color : Black
- Operating Temperature : $-20^{\circ}\text{C} \sim +65^{\circ}\text{C}$
- Storage Temperature : $-30^{\circ}\text{C} \sim +75^{\circ}\text{C}$
- Connector : SMA Male

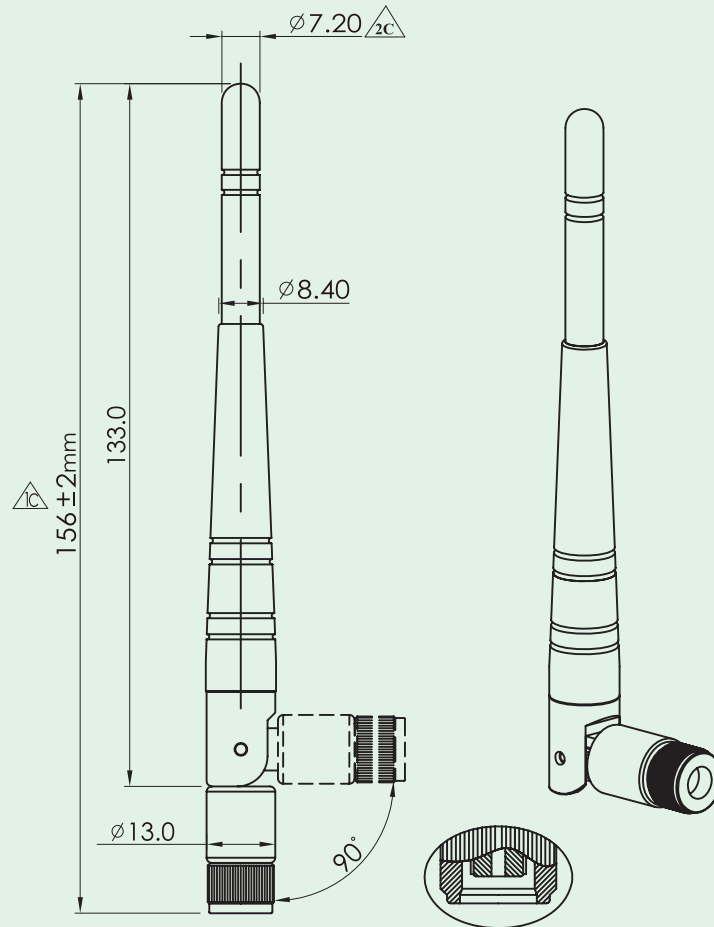
Part Number

Optional Connector

- SMA Male
- SMA Male Reverse

6604 Series

Part number changes as per different option



Product Data:

ROHS - Compliant

ELECTRICAL :

- Frequency Range : 2.4 & 5.8 GHz
- Impedance : 50 ohm
- VSWR : ≤ 2.0
- Gain : 2.4 GHz : 2 dBi , 5.8 GHz : 3 dBi
- Radiation : Omni
- Polarization : Linear

MECHANICAL :

- Antenna Housing : Engineering Plastics
- Color : Black
- Operating Temperature : $-20^{\circ}\text{C} \sim +65^{\circ}\text{C}$
- Storage Temperature : $-30^{\circ}\text{C} \sim +75^{\circ}\text{C}$
- Connector : SMA Male Reverse

Part Number

Optional Connector

- SMA Male
- SMA Male Reverse

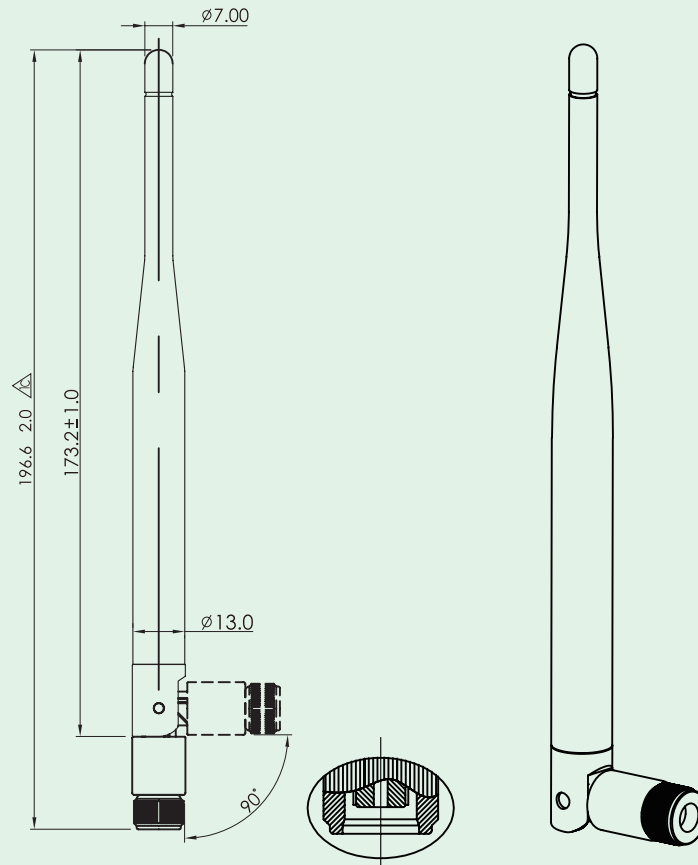
6606 Dual Band Series

Part number changes as per different option



Dual Band Antenna 2.4 & 5.8 GHz

KINSUN



Product Data:

ROHS - Compliant

ELECTRICAL :

- Frequency Range : 2.4 & 5.8 GHz
- Impedance : 50 ohm
- VSWR : ≤ 2.0
- Gain : 2.4 GHz : 2 dBi , 5.8 GHz : 3 dBi
- Radiation : Omni
- Polarization : Linear

MECHANICAL :

- Antenna Housing : Engineering Plastics
- Color : Black
- Operating Temperature : $-20^{\circ}\text{C} \sim +65^{\circ}\text{C}$
- Storage Temperature : $-30^{\circ}\text{C} \sim +75^{\circ}\text{C}$
- Connector : SMA Male Reverse

Part Number

Optional Connector

- SMA Male
- SMA Male Reverse

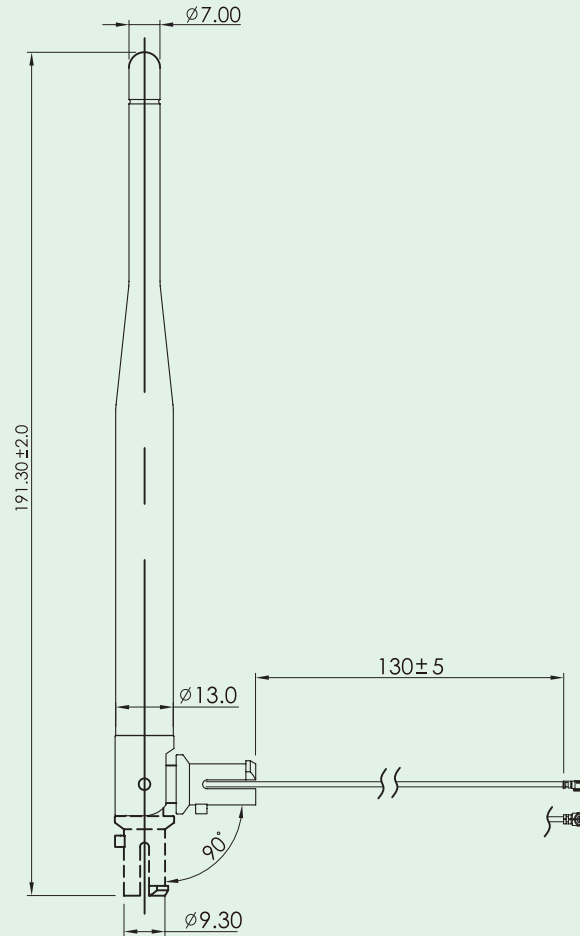
6610903081

Part number changes as per different option



Dual Band Antenna 2.4 & 5.8 GHz With Cable

KINSUN



Product Data:

ROHS - Compliant

ELECTRICAL :

- Frequency Range : 2.4 & 5.8 GHz
- Impedance : 50 ohm
- VSWR : ≤ 2.0
- Gain : Depend on length
- Radiation : Omni
- Polarization : Linear

MECHANICAL :

- Antenna Housing : Engineering Plastics
- Color : Black
- Operating Temperature : $-20^{\circ}\text{C} \sim +65^{\circ}\text{C}$
- Storage Temperature : $-30^{\circ}\text{C} \sim +75^{\circ}\text{C}$
- Connector : MHF (I - pex)
- Cable : 1.13

Part Number

| Optional Cable | Optional Connector |
|------------------|---------------------|
| 1.13 RG - 178 | NO MHF (I - pex) |

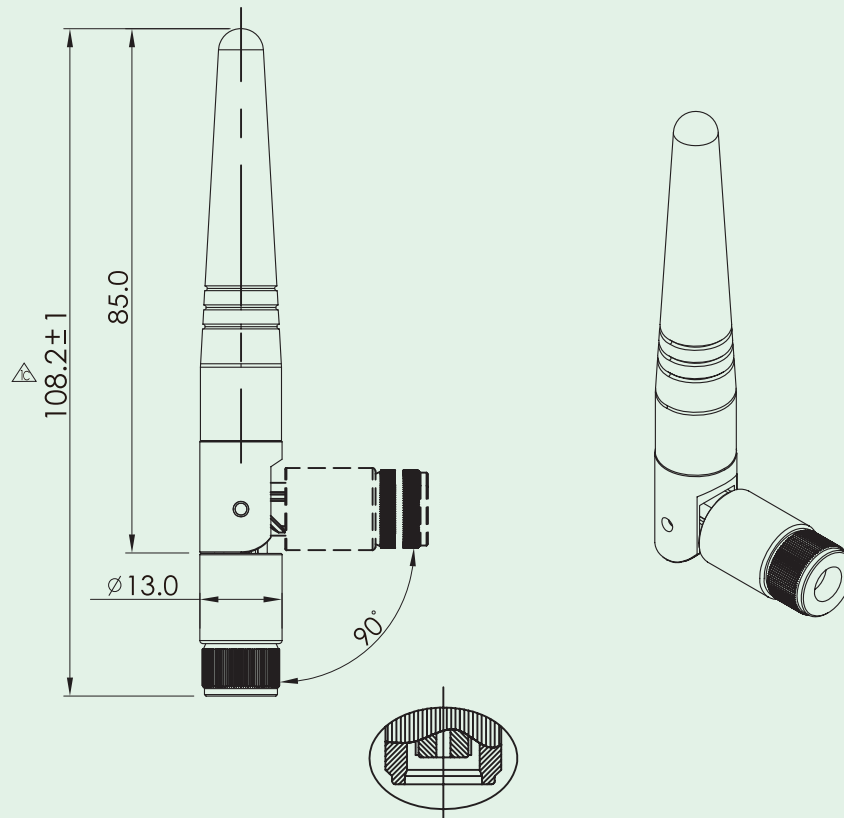
6610H09011-130

Part number changes as per different option



Dual Band Antenna 2.4 & 5.8 GHz

KINSUN



Product Data:

ROHS - Compliant

ELECTRICAL :

- Frequency Range : 2.4 & 5.8 GHz
- Impedance : 50 ohm
- VSWR : ≤ 2.0
- Gain : 2.4 GHz : 2 dBi , 5.8 GHz : 3 dBi
- Radiation : Omni
- Polarization : Linear

MECHANICAL :

- Antenna Housing : Engineering Plastics
- Color : Black
- Operating Temperature : $-20^{\circ}\text{C} \sim +65^{\circ}\text{C}$
- Storage Temperature : $-30^{\circ}\text{C} \sim +75^{\circ}\text{C}$
- Connector : SMA Male Reverse

Part Number

Optional Connector

- SMA Male
- SMA Male Reverse

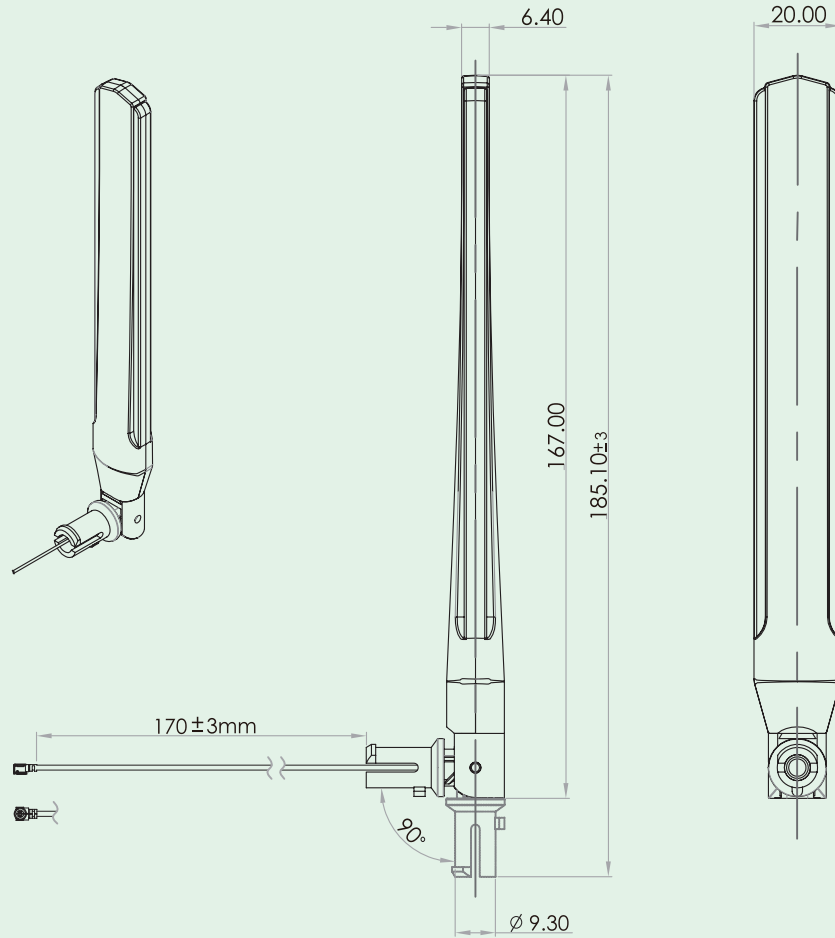
6623C52000

Part number changes as per different option



WiFi 2.4 & 5.8 GHz

KINSUN



Product Data:

ROHS - Compliant

ELECTRICAL :

- Frequency Range : 2.4 & 5.8 GHz
- Impedance : 50 ohm
- VSWR : ≤ 2.0
- Gain : Depend on Length
- Radiation : Omni
- Polarization : Linear

MECHANICAL :

- Antenna Housing : Engineering Plastics
- Color : White
- Operating Temperature : $-20^{\circ}\text{C} \sim +65^{\circ}\text{C}$
- Storage Temperature : $-30^{\circ}\text{C} \sim +75^{\circ}\text{C}$
- Connector : MHF (I - pex)
- Cable : 1.13

Part Number

6624W13032-170

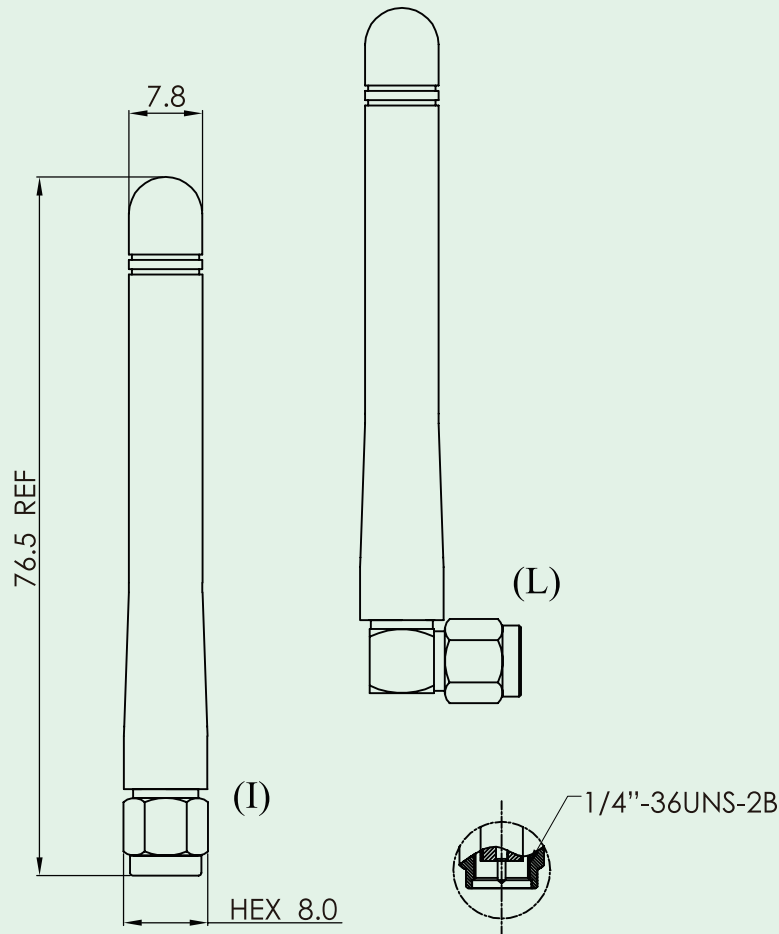
| Optional Cable | Optional Connector |
|----------------|-----------------------|
| NO | NO |
| 1.13 | SMA Male |
| RG - 178 | SMA Male Reverse |
| | SMA Male Right Angle |
| | MCX Male |
| | MCX Male Right Angle |
| | MMCX Male |
| | MMCX Male Right Angle |
| | MHF (I - pex) |

Part number changes as per different option



Five Band Shorter GSM Antenna

KINSUN



Product Data:

ROHS - Compliant

ELECTRICAL :

- Frequency Range : 850 / 900 / 1800 / 1900 / 2100 MHz
- Impedance : 50 ohm
- VSWR : ≤ 4.0
- Gain : 0 ~ 1 dBi
- Radiation : Omni
- Polarization : Linear

MECHANICAL :

- Antenna Housing : Engineering Plastics
- Color : Black
- Operating Temperature : $-20^{\circ}\text{C} \sim +65^{\circ}\text{C}$
- Storage Temperature : $-30^{\circ}\text{C} \sim +75^{\circ}\text{C}$
- Connector : SMA Male

Part Number

6602G01081(I)

6602G02061(L)

Optional Connector

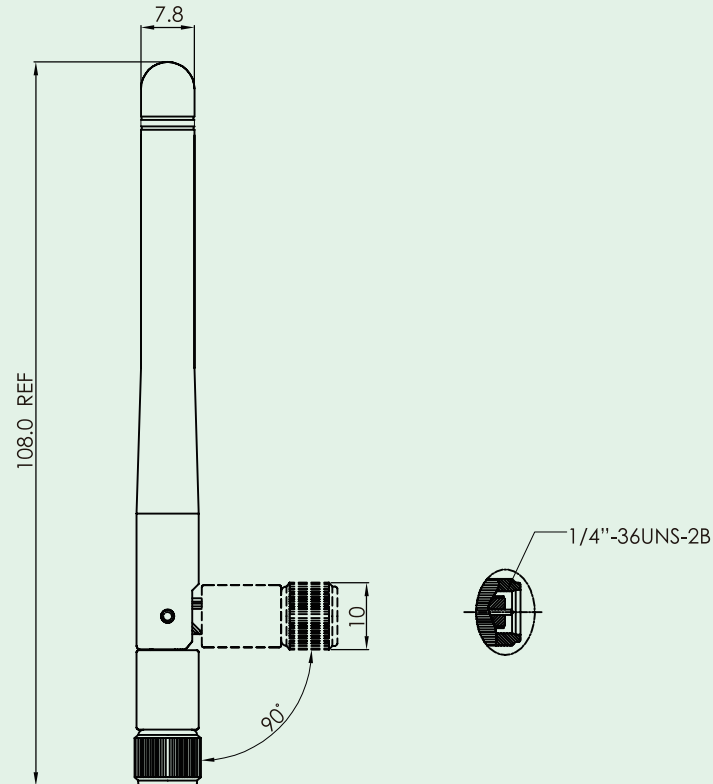
SMA Male
SMA Male Reverse
SMA Male Right Angle
SMA Male Right Angle Reverse
MCX Male Right Angle

Part number changes as per different option



Five Band GSM Swivel Antenna

KINSUN



Product Data:

ROHS - Compliant

ELECTRICAL :

- Frequency Range : 850 / 900 / 1800 / 1900 / 2100 MHz
- Impedance : 50 ohm
- VSWR : ≤ 4.0
- Gain : 0 ~ 1 dBi
- Radiation : Omni
- Polarization : Linear

MECHANICAL :

- Antenna Housing : Engineering Plastics
- Color : Black
- Operating Temperature : $-20^{\circ}\text{C} \sim +65^{\circ}\text{C}$
- Storage Temperature : $-30^{\circ}\text{C} \sim +75^{\circ}\text{C}$
- Connector : SMA Male

Part Number

Optional Connector

- SMA Male
- SMA Male Reverse

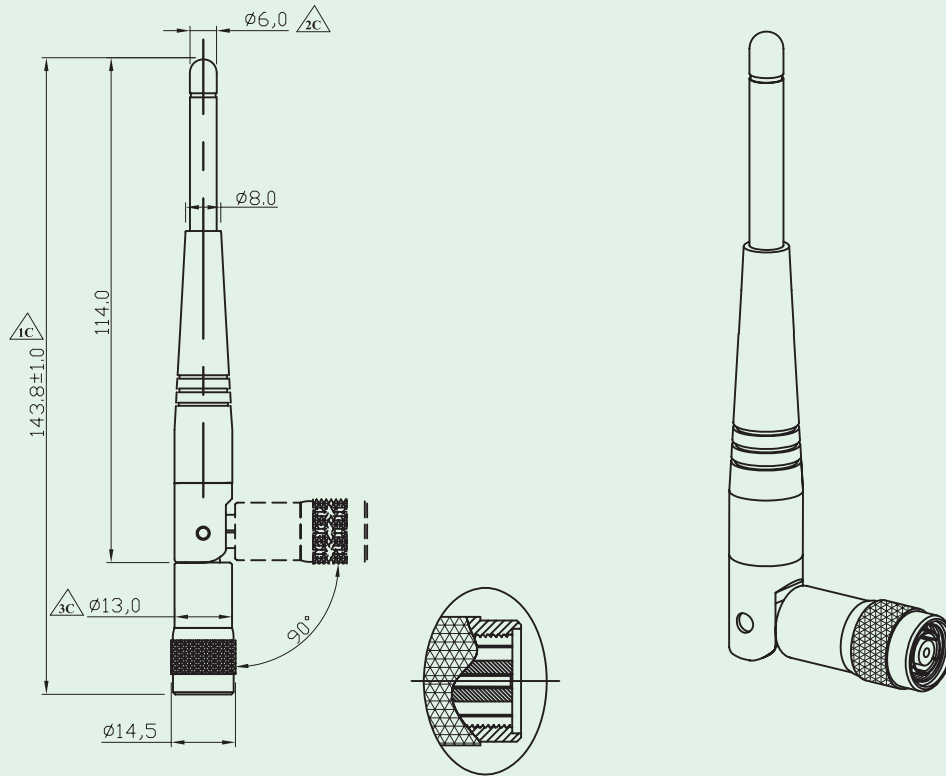
6602G01081

Part number changes as per different option



Five Band GSM Swivel Antenna

KINSUN



Product Data:

ROHS - Compliant

ELECTRICAL :

- Frequency Range : 850 / 900 / 1800 / 1900 / 2100 MHz
- Impedance : 50 ohm
- VSWR : ≤ 2.5
- Gain : 0 ~ 1 dBi
- Radiation : Omni
- Polarization : Linear

MECHANICAL :

- Antenna Housing : Engineering Plastics
- Color : Black
- Operating Temperature : $-20^{\circ}\text{C} \sim +65^{\circ}\text{C}$
- Storage Temperature : $-30^{\circ}\text{C} \sim +75^{\circ}\text{C}$
- Connector : TNC Male Reverse

Part Number

6604G09081

Optional Connector

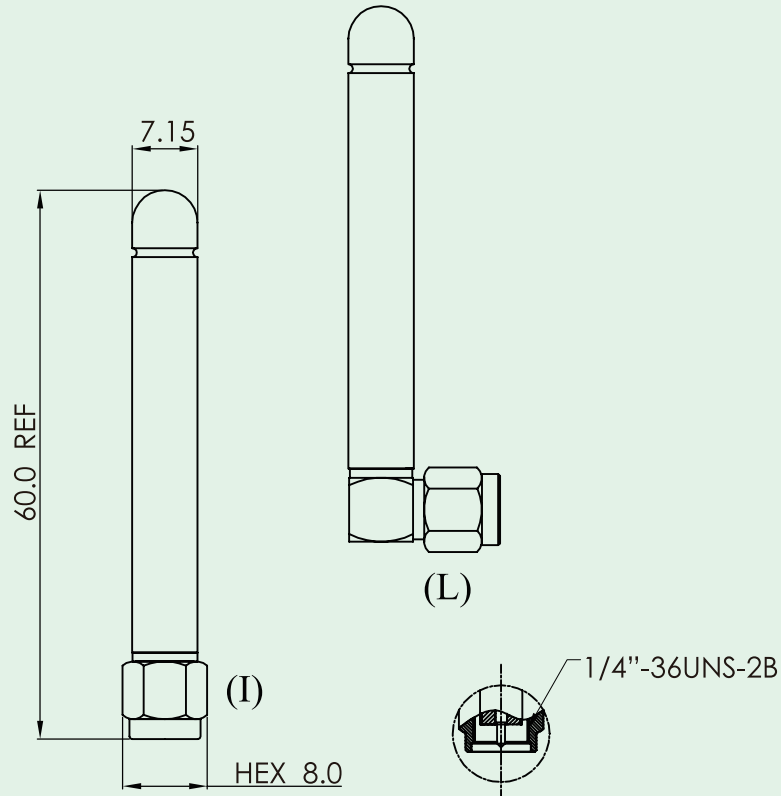
- SMA Male
- SMA Male Reverse
- BNC Male
- TNC Male
- TNC Male Reverse

Part number changes as per different option



Five Band GSM Short Antenna

KINSUN



Product Data:

ROHS - Compliant

ELECTRICAL :

- Frequency Range : 850 / 900 / 1800 / 1900 / 2100 MHz
- Impedance : 50 ohm
- VSWR : ≤ 4.0
- Gain : 0 dBi
- Radiation : Omni
- Polarization : Linear

MECHANICAL :

- Antenna Housing : Engineering Plastics
- Color : Black
- Operating Temperature : $-20^{\circ}\text{C} \sim +65^{\circ}\text{C}$
- Storage Temperature : $-30^{\circ}\text{C} \sim +75^{\circ}\text{C}$
- Connector : SMA Male

Part Number

6605501161(I)

6605502161(L)

Optional Connector

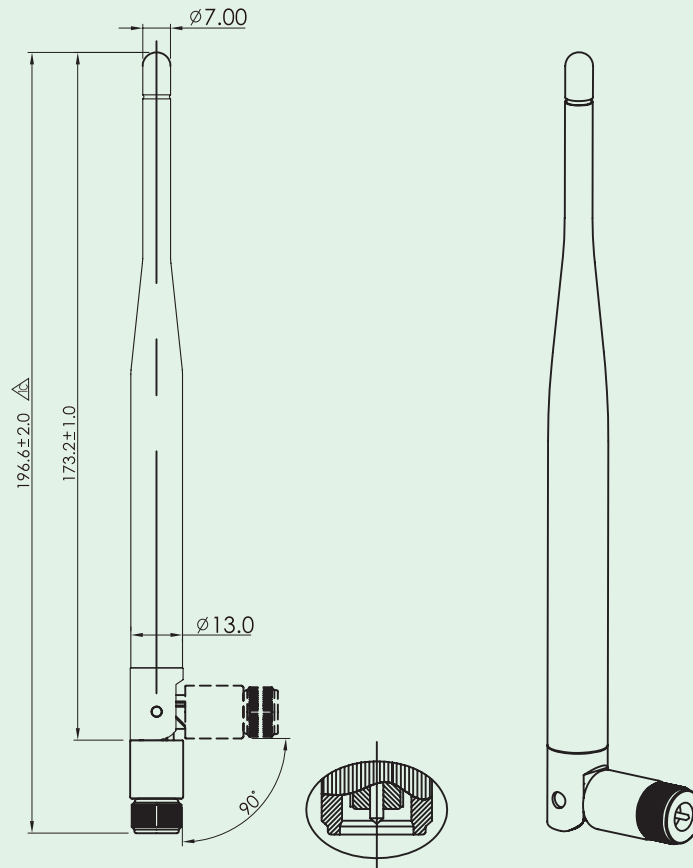
- SMA Male
- SMA Male Reverse
- SMA Male Right Angle
- SMA Male Right Angle Reverse
- MCX Male Right Angle

Part number changes as per different option



Five Band GSM Swivel Antenna

KINSUN



Product Data:

ROHS - Compliant

ELECTRICAL :

- Frequency Range : 850 / 900 / 1800 / 1900 / 2100 MHz
- Impedance : 50 ohm
- VSWR : ≤ 3.0
- Gain : 0 ~ 1 dBii
- Radiation : Omni
- Polarization : Linear

MECHANICAL :

- Antenna Housing : Engineering Plastics
- Color : Black
- Operating Temperature : $-20^{\circ}\text{C} \sim +65^{\circ}\text{C}$
- Storage Temperature : $-30^{\circ}\text{C} \sim +75^{\circ}\text{C}$
- Connector : SMA Male

Part Number

6610G01061

Optional Connector

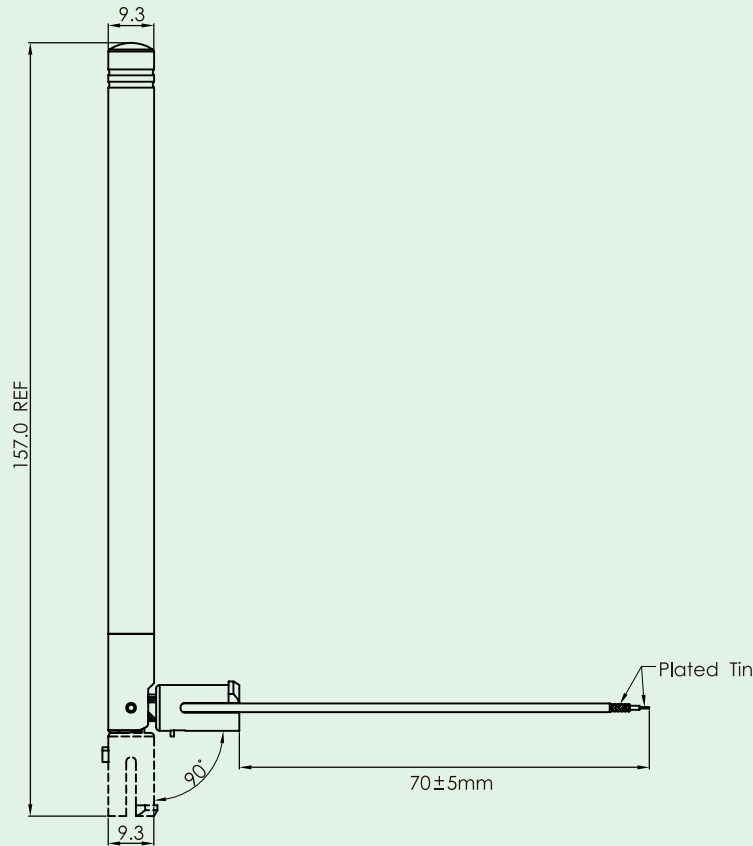
SMA Male
SMA Male Reverse
BNC Male
TNC Male
TNC Male Reverse

Part number changes as per different option



GSM Antenna

KINSUN



Product Data:

ROHS - Compliant

ELECTRICAL :

- Frequency Range : 868 ~ 923 MHz
- Impedance : 50 ohm
- VSWR : ≤ 3.0
- Gain : Depend on length
- Radiation : Omni
- Polarization : Linear

MECHANICAL :

- Antenna Housing : Engineering Plastics
- Color : Black
- Operating Temperature : $-20^{\circ}\text{C} \sim +65^{\circ}\text{C}$
- Storage Temperature : $-30^{\circ}\text{C} \sim +75^{\circ}\text{C}$
- Cable : RG - 178

Part Number

| Optional Cable | Optional Connector |
|------------------|---------------------|
| 1.13 RG - 178 | NO MHF (I - pex) |

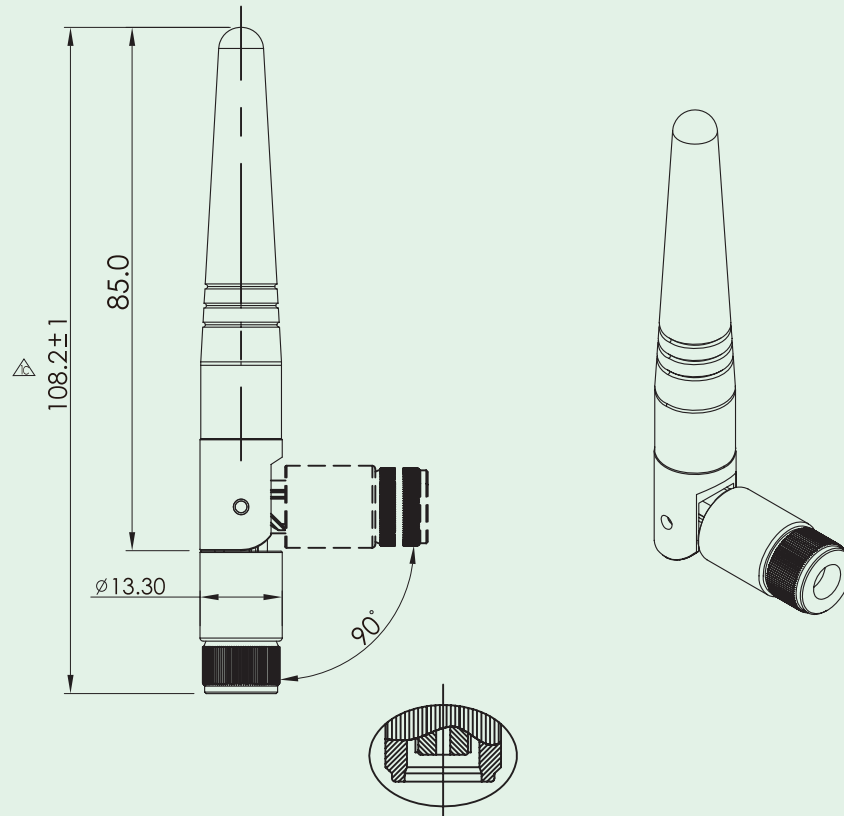
6622A10800-070

Part number changes as per different option



Four Band GSM Swivel Antenna

KINSUN



Product Data:

ROHS - Compliant

ELECTRICAL :

- Frequency Range : 900 / 1800 / 1900 / 2100 MHz
- Impedance : 50 ohm
- VSWR : ≤ 2.5
- Gain : 0 ~ 1 dBii
- Radiation : Omni
- Polarization : Linear

MECHANICAL :

- Antenna Housing : Engineering Plastics
- Color : Black
- Operating Temperature : $-20^{\circ}\text{C} \sim +65^{\circ}\text{C}$
- Storage Temperature : $-30^{\circ}\text{C} \sim +75^{\circ}\text{C}$
- Connector : SMA Male Reverse

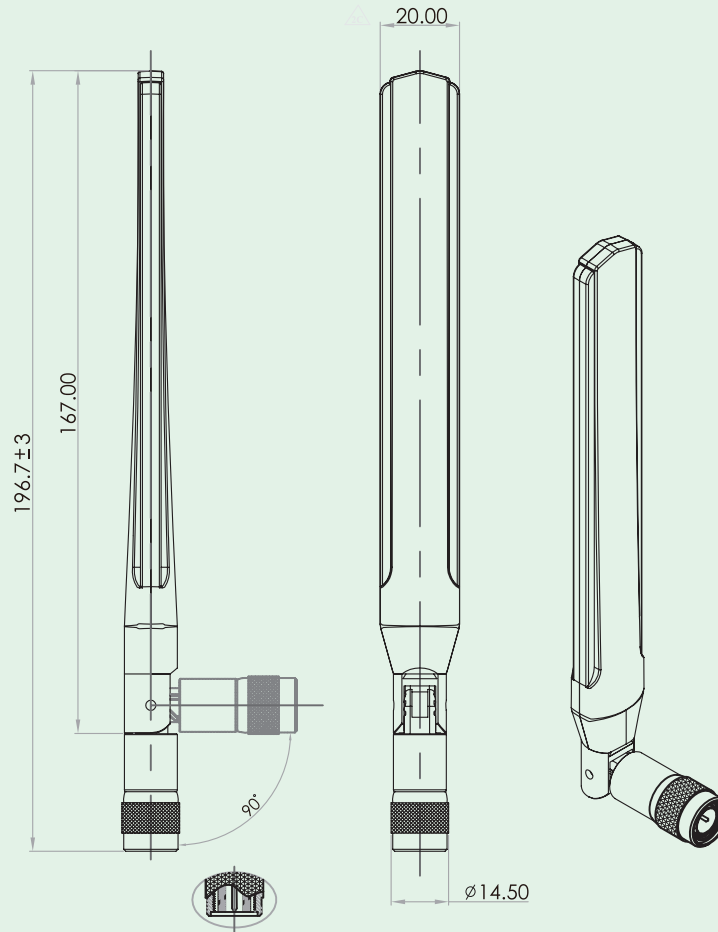
Part Number

6623C42000

Optional Connector

SMA Male
SMA Male Reverse
BNC Male
TNC Male
TNC Male Reverse

Part number changes as per different option



Product Data:

ROHS - Compliant

ELECTRICAL :

- Frequency Range : 824 ~ 900 MHz / 1800 ~ 1990 MHz
- Impedance : 50 ohm
- VSWR : ≤ 2.5
- Gain : 0dBi / 1dBi
- Radiation : Omni
- Polarization : Linear

MECHANICAL :

- Antenna Housing : Engineering Plastics
- Color : Black
- Operating Temperature : $-20^{\circ}\text{C} \sim +65^{\circ}\text{C}$
- Storage Temperature : $-30^{\circ}\text{C} \sim +75^{\circ}\text{C}$
- Connector : TNC Male

Part Number

6624C07081

Optional Connector

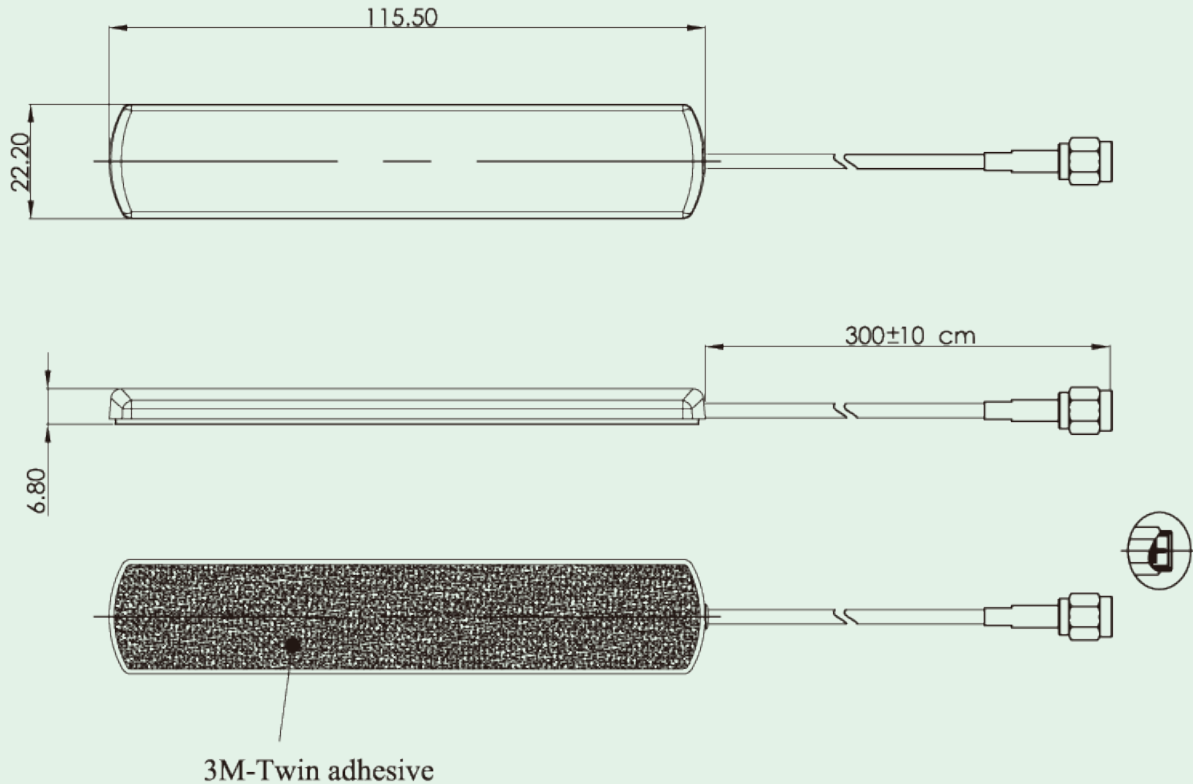
- NO
- SMA Male
- SMA Male Reverse
- SMA Male Right Angle
- SMA Male Right Angle Reverse
- SMA Female
- SMA Female Reverse
- TNC Male
- TNC Male Reverse

Part number changes as per different option



Five Band GSM Antenna

KINSUN



Product Data:

ROHS - Compliant

ELECTRICAL :

- Frequency Range : 850 / 900 / 1800 / 1900 / 2100 MHz
- Impedance : 50 ohm
- VSWR : ≤ 2.0
- Gain : 0 ~ 4 dBi
- Radiation : Omni
- Polarization : Linear

MECHANICAL :

- Antenna Housing : Engineering Plastics
- Color : Black
- Operating Temperature : $-20^{\circ}\text{C} \sim +65^{\circ}\text{C}$
- Storage Temperature : $-30^{\circ}\text{C} \sim +75^{\circ}\text{C}$
- Connector : SMA Male
- Cable : Coaxial Cable RG - 174

Part Number

6626G01401-30M

Optional Connector

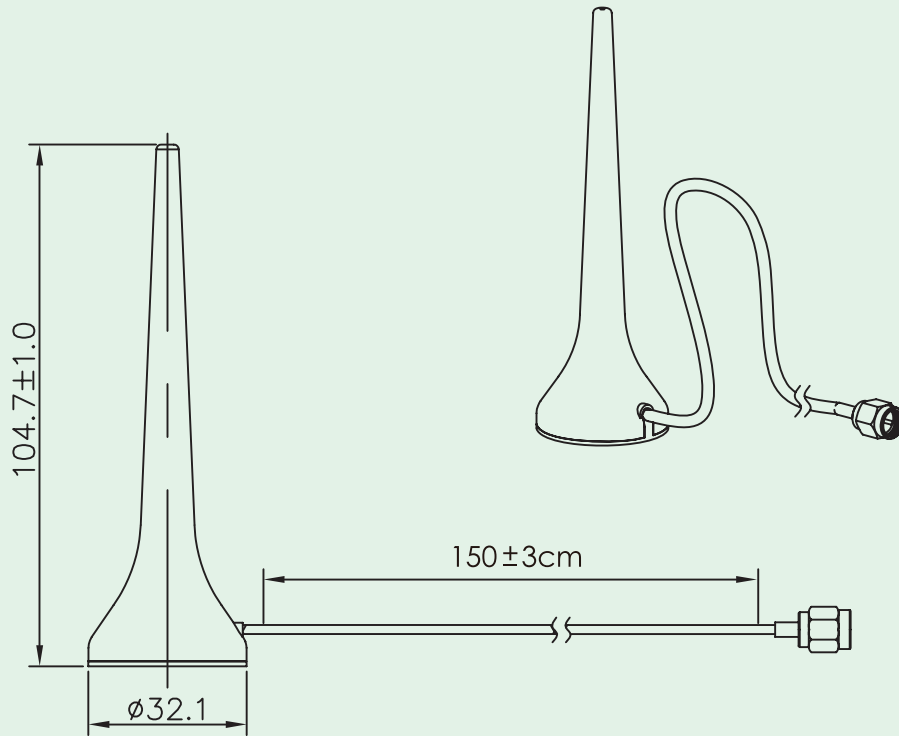
- SMA Male
- SMA Male Reverse
- SMA Male Right Angle

Part number changes as per different option



Three Band GSM Magnetic Antenna

KINSUN



Product Data:

ROHS - Compliant

ELECTRICAL :

- Frequency Range : 900 / 1800 / 1900 MHz
- Impedance : 50 ohm
- VSWR : ≤ 2.0
- Gain : Depend on length
- Radiation : Omni
- Polarization : Linear

MECHANICAL :

- Antenna Housing : Engineering Plastics
- Color : Black
- Operating Temperature : $-20^{\circ}\text{C} \sim +65^{\circ}\text{C}$
- Storage Temperature : $-30^{\circ}\text{C} \sim +75^{\circ}\text{C}$
- Connector : SMA Plug
- Cable : RG - 174

Part Number

6640601041-15M

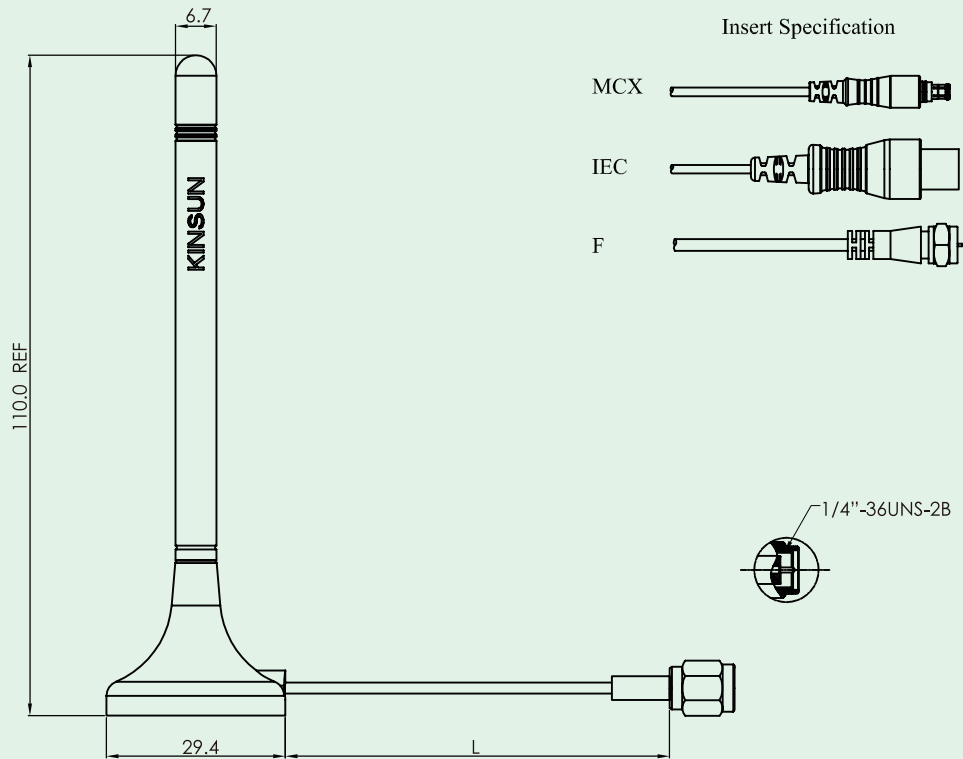
| Optional Cable | Optional Connector |
|----------------|------------------------------|
| RG - 174 | NO |
| RG - 316 | SMA Male |
| RG - 178 | SMA Male Reverse |
| | SMA Male Right Angle |
| | SMA Male Right Angle Reverse |
| | MCX Male |
| | MCX Male Right Angle |
| | MMCX Male |
| | MMCX Male Right Angle |
| | TNC Male |
| | FME Female |

Part number changes as per different option



Full - band Antenna With Magnetic

KINSUN



Product Data:

ROHS - Compliant

ELECTRICAL :

- Frequency Range : DVBT & GSM & 2.4 GHz
- Impedance : 50 ohm
- VSWR : ≤ 3.0
- Gain : Depend on length
- Radiation : Omni
- Polarization : Linear

MECHANICAL :

- Antenna Housing : Engineering Plastics
- Color : Black
- Operating Temperature : $-20^{\circ}\text{C} \sim +65^{\circ}\text{C}$
- Storage Temperature : $-30^{\circ}\text{C} \sim +75^{\circ}\text{C}$
- Connector : SMA Male
- Cable : RG - 174

Part Number

6641601043-25M

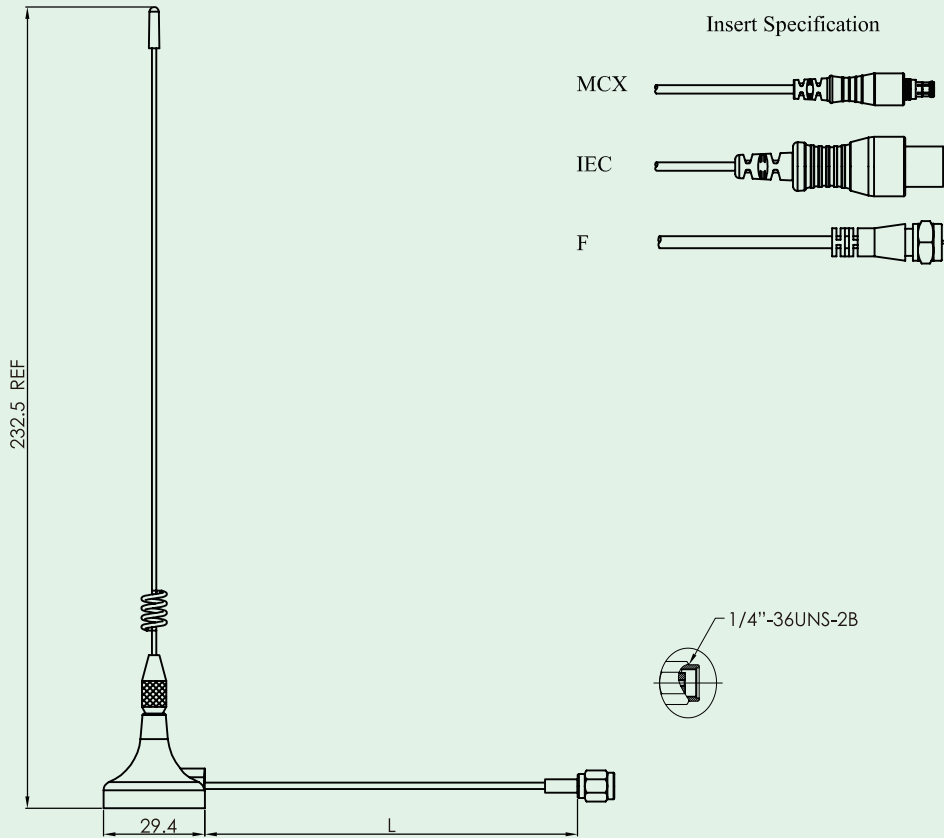
| Optional Cable | Optional Connector |
|----------------|-----------------------|
| RG - 174 | NO |
| | SMA Male |
| | SMA Male Reverse |
| | SMA Male Right Angle |
| | MCX Male |
| | MCX Male Right Angle |
| | MMCX Male |
| | MMCX Male Right Angle |
| | FME Female |
| | IEC Male |

Part number changes as per different option



Four Band GSM Magnetic Antenna

KINSUN



Product Data:

ROHS - Compliant

ELECTRICAL :

- Frequency Range : 900 / 1800 / 1900 / 2100 MHz
- Impedance : 50 ohm
- VSWR : ≤ 3.0
- Gain : Depend on length
- Radiation : Omni
- Polarization : Linear

MECHANICAL :

- Antenna Housing : Steel
- Color : Black
- Operating Temperature : $-20^{\circ}\text{C} \sim +65^{\circ}\text{C}$
- Storage Temperature : $-30^{\circ}\text{C} \sim +75^{\circ}\text{C}$
- Connector : SMA Male Reverse
- Cable : RG - 174

Part Number

6650102010-25M

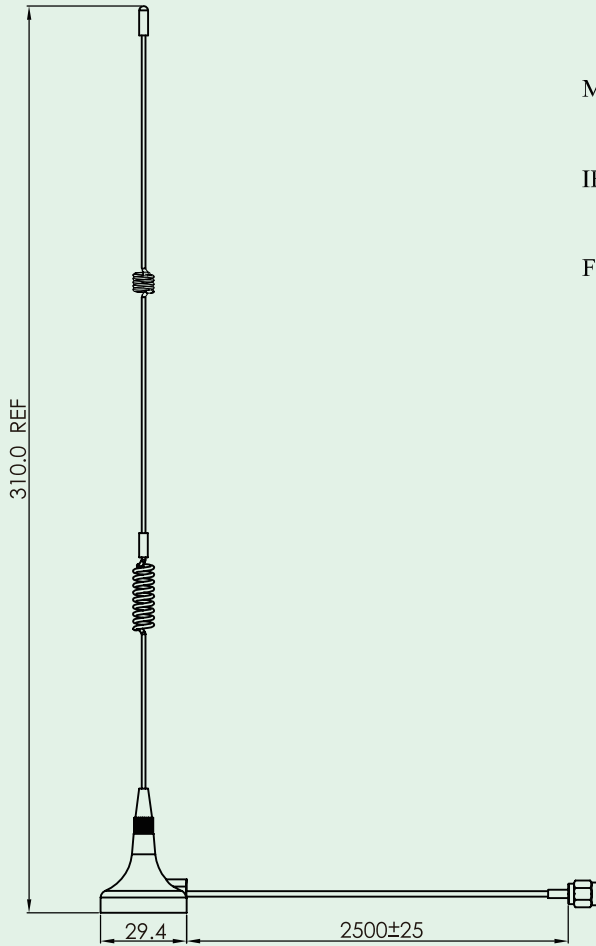
| Optional Cable | Optional Connector |
|----------------|-----------------------|
| RG - 174 | NO |
| | SMA Male |
| | SMA Male Reverse |
| | MCX Male |
| | MCX Male Right Angle |
| | MMCX Male |
| | MMCX Male Right Angle |
| | FME Female |
| | IEC Male |

Part number changes as per different option

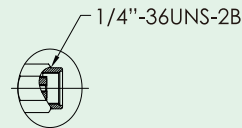
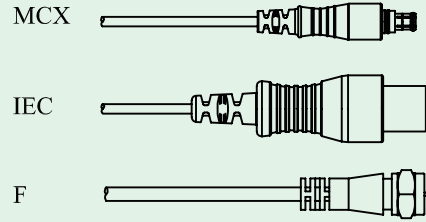


Four Band GSM Magnetic Antenna

KINSUN



Insert Specification



Product Data:

ROHS - Compliant

ELECTRICAL :

- Frequency Range : 900 / 1800 / 1900 / 2100 MHz
- Impedance : 50 ohm
- VSWR : ≤ 3.0
- Gain : Depend on length
- Radiation : Omni
- Polarization : Linear

MECHANICAL :

- Antenna Housing : Steel
- Color : Black
- Operating Temperature : $-20^{\circ}\text{C} \sim +65^{\circ}\text{C}$
- Storage Temperature : $-30^{\circ}\text{C} \sim +75^{\circ}\text{C}$
- Connector : SMA Male Reverse
- Cable : RG - 174

Part Number

6650102020-25M

Optional Connector

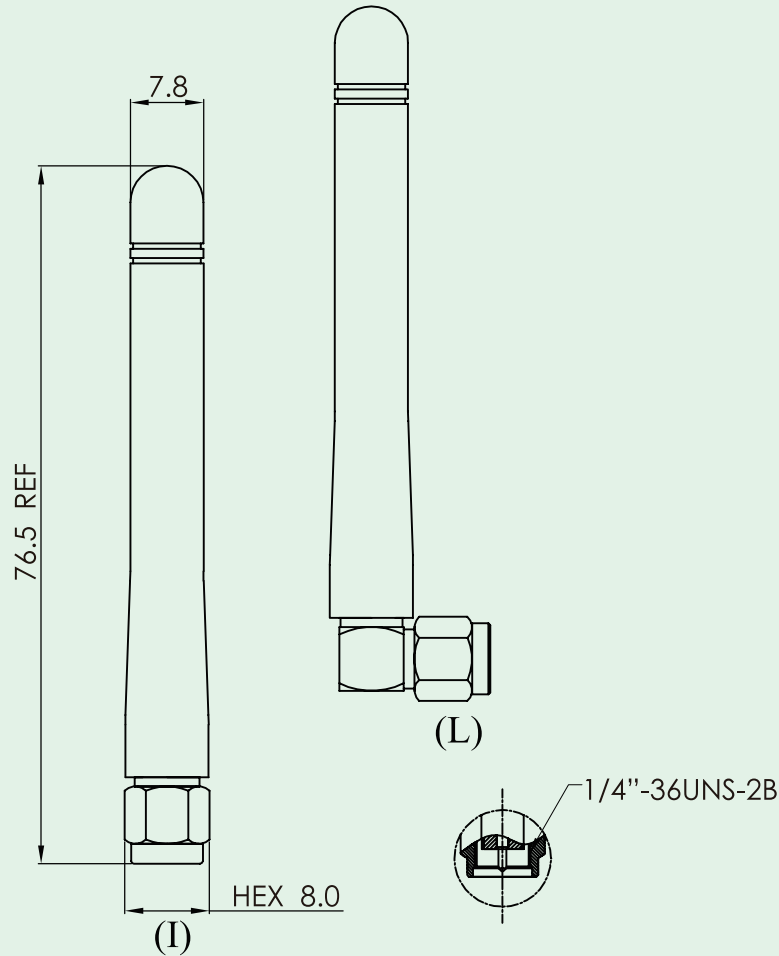
- NO
- SMA Male
- SMA Male Reverse
- MCX Male
- MCX Male Right Angle
- MMCX Male
- MMCX Male Right Angle
- FME Female
- IEC Male

Part number changes as per different option



UHF Antenna

KINSUN



Product Data:

ROHS - Compliant

ELECTRICAL :

- Frequency Range : UHF \ 433(L)
- Impedance : 50 ohm
- VSWR : ≤ 2.0
- Radiation : Omni
- Polarization : Linear

MECHANICAL :

- Antenna Housing : Engineering Plastics
- Color : Black
- Operating Temperature : $-20^{\circ}\text{C} \sim +65^{\circ}\text{C}$
- Storage Temperature : $-30^{\circ}\text{C} \sim +75^{\circ}\text{C}$
- Connector : SMA Male

Part Number

433MHz : 6602901161(I)
6602902161(L)

Optional Connector

SMA Male
SMA Male Reverse
SMA Male Right Angle
SMA Male Right Angle Reverse

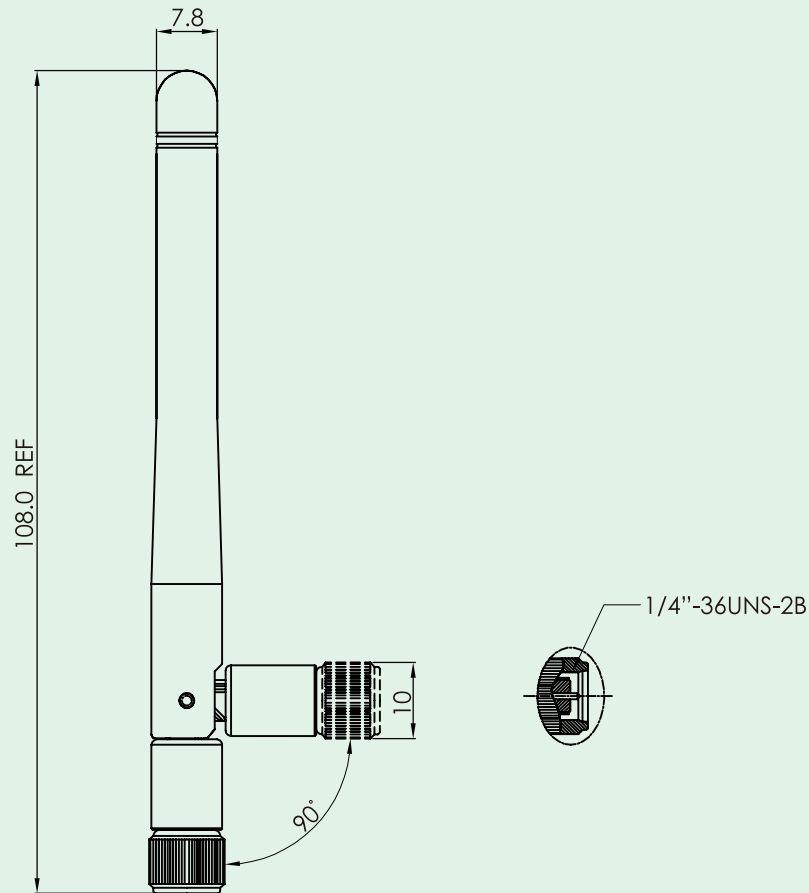
410~430MHz : 6602918001(I)

Part number changes as per different option



UHF Swivel Antenna

KINSUN



Product Data:

ROHS - Compliant

ELECTRICAL :

- Frequency Range : 433 MHz
- Impedance : 50 ohm
- VSWR : ≤ 2.0
- Radiation : Omni
- Polarization : Linear

MECHANICAL :

- Antenna Housing : Engineering Plastics
- Color : Black
- Operating Temperature : $-20^{\circ}\text{C} \sim +65^{\circ}\text{C}$
- Storage Temperature : $-30^{\circ}\text{C} \sim +75^{\circ}\text{C}$
- Connector : SMA Male

Part Number

Optional Connector

- SMA Male
- SMA Male Reverse

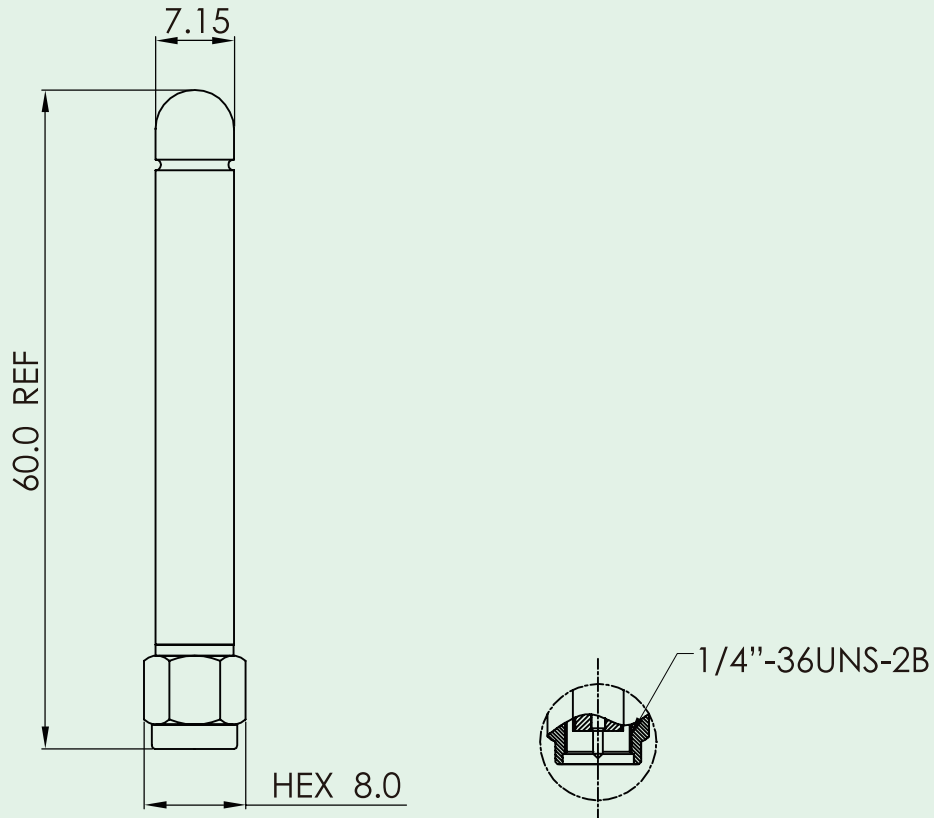
6602902081

Part number changes as per different option



UHF Short Antenna

KINSUN



Product Data:

ROHS - Compliant

ELECTRICAL :

- Frequency Range : 433 MHz
- Impedance : 50 ohm
- VSWR : ≤ 2.0
- Radiation : Omni
- Polarization : Linear

MECHANICAL :

- Antenna Housing : Engineering Plastics
- Color : Black
- Operating Temperature : $-20^{\circ}\text{C} \sim +65^{\circ}\text{C}$
- Storage Temperature : $-30^{\circ}\text{C} \sim +75^{\circ}\text{C}$
- Connector : SMA Male

Part Number

6605201001

Optional Connector

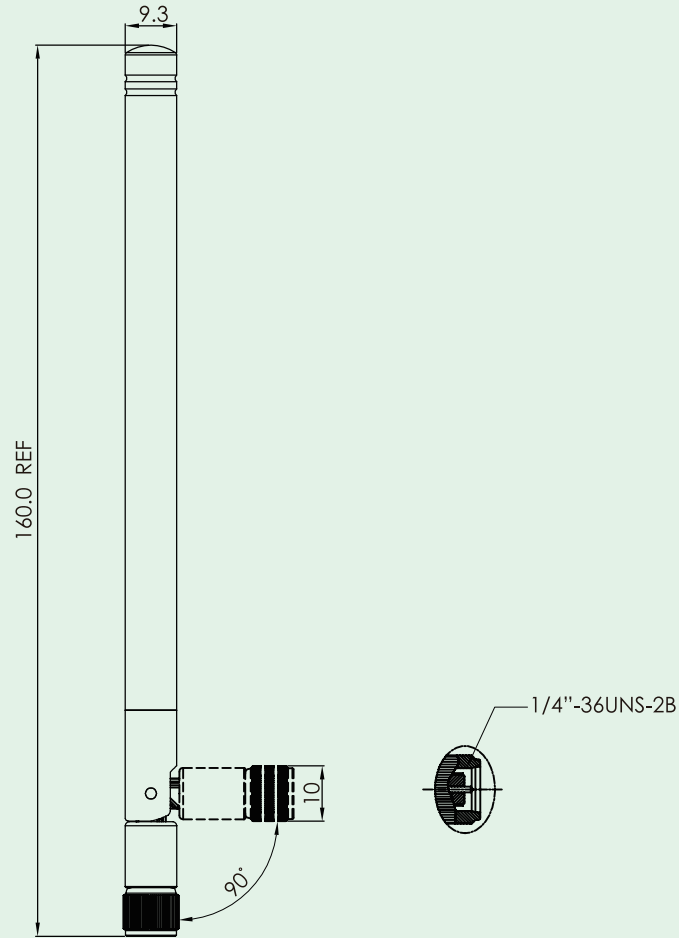
SMA Male
SMA Male Reverse
MCX Male Right Angle

Part number changes as per different option



UHF Swivel Antenna

KINSUN



Product Data:

ROHS - Compliant

ELECTRICAL :

- Frequency Range : 418 MHz
- Impedance : 50 ohm
- VSWR : ≤ 2.0
- Radiation : Omni
- Polarization : Linear

MECHANICAL :

- Antenna Housing : Engineering Plastics
- Color : Black
- Operating Temperature : $-20^{\circ}\text{C} \sim +65^{\circ}\text{C}$
- Storage Temperature : $-30^{\circ}\text{C} \sim +75^{\circ}\text{C}$
- Connector : SMA Male

Part Number

Optional Connector

- SMA Male
- SMA Male Reverse

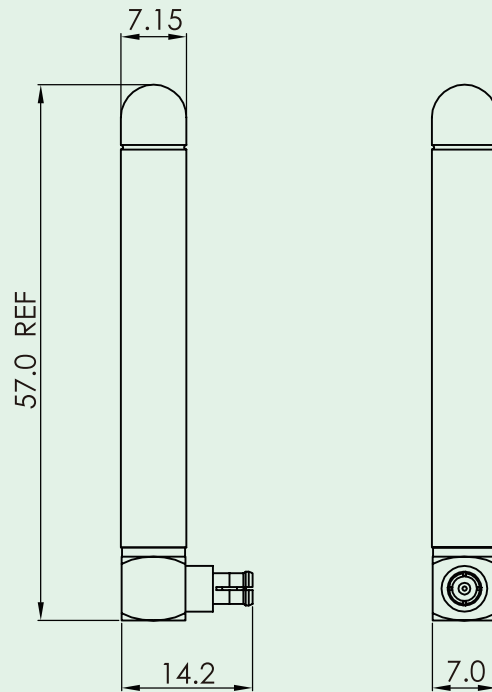
6622C50000

Part number changes as per different option



UHF Short Antenna

KINSUN



Product Data:

ROHS - Compliant

ELECTRICAL :

- Frequency Range : 433 MHz
- Impedance : 50 ohm
- VSWR : ≤ 2.0
- Radiation : Omni
- Polarization : Linear

MECHANICAL :

- Antenna Housing : Engineering Plastics
- Color : Black
- Operating Temperature : $-20^{\circ}\text{C} \sim +65^{\circ}\text{C}$
- Storage Temperature : $-30^{\circ}\text{C} \sim +75^{\circ}\text{C}$
- Connector : MCX Male Right Angle

Part Number

6605212241

Optional Connector

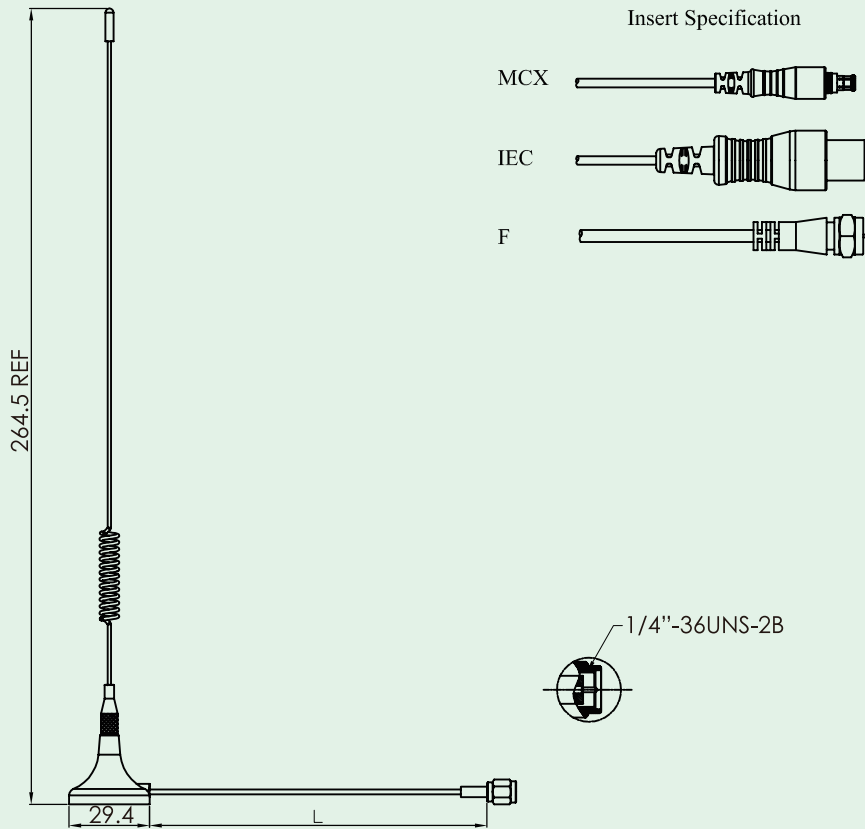
SMA Male
SMA Male Reverse
MCX Male Right Angle

Part number changes as per different option



VHF Antenna With Magnetic

KINSUN



Product Data:

ROHS - Compliant

ELECTRICAL :

- Frequency Range : 200 ~ 220 MHz
- Impedance : 50 ohm
- VSWR : ≤ 3.0
- Gain : Depend on length
- Radiation : Omni
- Polarization : Linear

MECHANICAL :

- Antenna Housing : Steel
- Color : Black
- Operating Temperature : $-20^{\circ}\text{C} \sim +65^{\circ}\text{C}$
- Storage Temperature : $-30^{\circ}\text{C} \sim +75^{\circ}\text{C}$
- Connector : SMA Male
- Cable : RG - 174

Part Number

6650201010-25M

Optional Connector

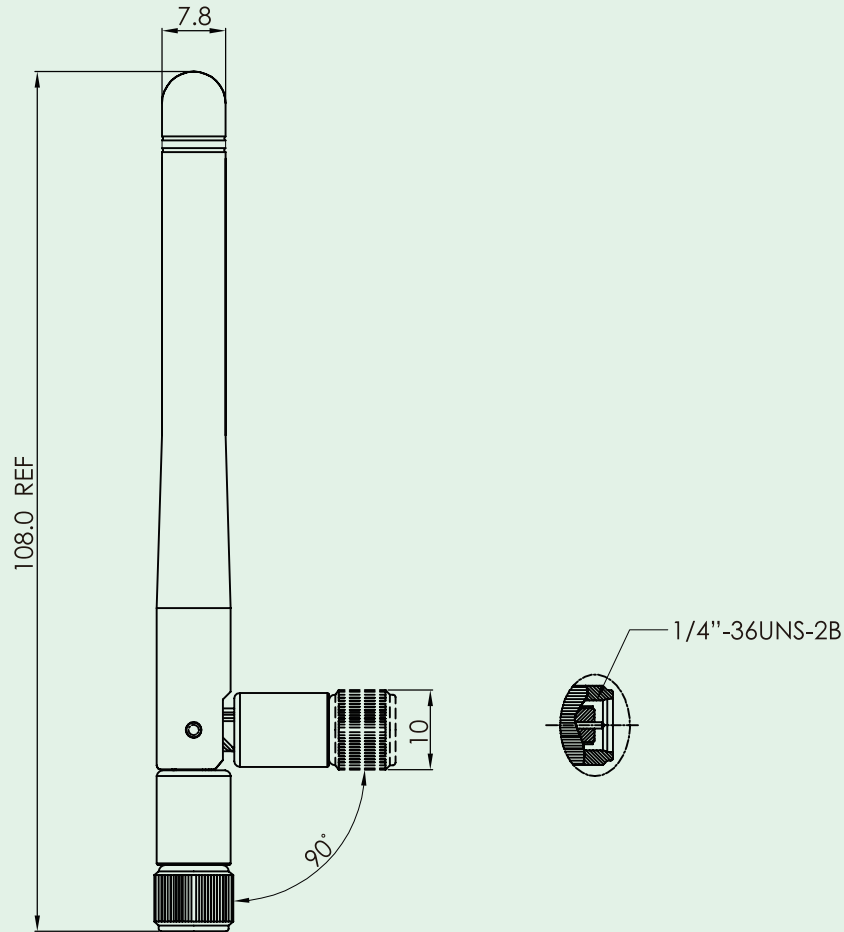
- NO
- SMA Male
- SMA Male Reverse
- MCX Male
- MCX Male Right Angle
- MMCX Male
- MMCX Male Right Angle
- FME Female
- IEC Male

Part number changes as per different option



DVB - T Swivel Antenna

KINSUN



Product Data:

ROHS - Compliant

ELECTRICAL :

- Frequency Range : 470 ~ 860 MHz
- Impedance : 50 ohm
- VSWR : ≤ 4.0
- Radiation : Omni
- Polarization : Linear

MECHANICAL :

- Antenna Housing : Engineering Plastics
- Color : Black
- Operating Temperature : $-20^{\circ}\text{C} \sim +65^{\circ}\text{C}$
- Storage Temperature : $-30^{\circ}\text{C} \sim +75^{\circ}\text{C}$
- Connector : SMA Male

Part Number

6602A01081

Optional Connector

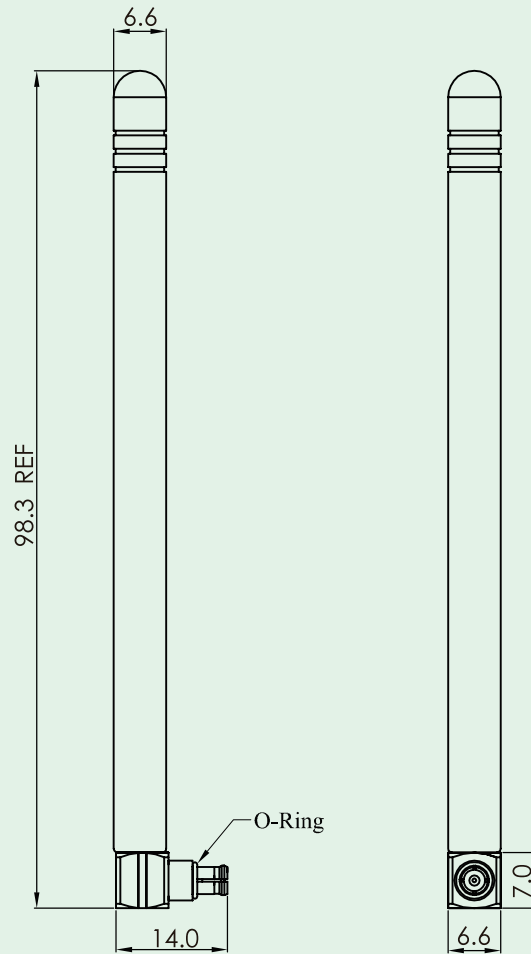
SMA Male
SMA Male Reverse
BNC Male

Part number changes as per different option



DVB-T Right Angle Antenna

KINSUN



Product Data:

ROHS - Compliant

ELECTRICAL :

- Frequency Range : 470 ~ 860 MHz
- Impedance : 50 ohm
- VSWR : ≤ 4.0
- Radiation : Omni
- Polarization : Linear

MECHANICAL :

- Antenna Housing : Engineering Plastics
- Color : Black
- Operating Temperature : $-20^{\circ}\text{C} \sim +65^{\circ}\text{C}$
- Storage Temperature : $-30^{\circ}\text{C} \sim +75^{\circ}\text{C}$
- Connector : MCX Male Right Angle

Part Number

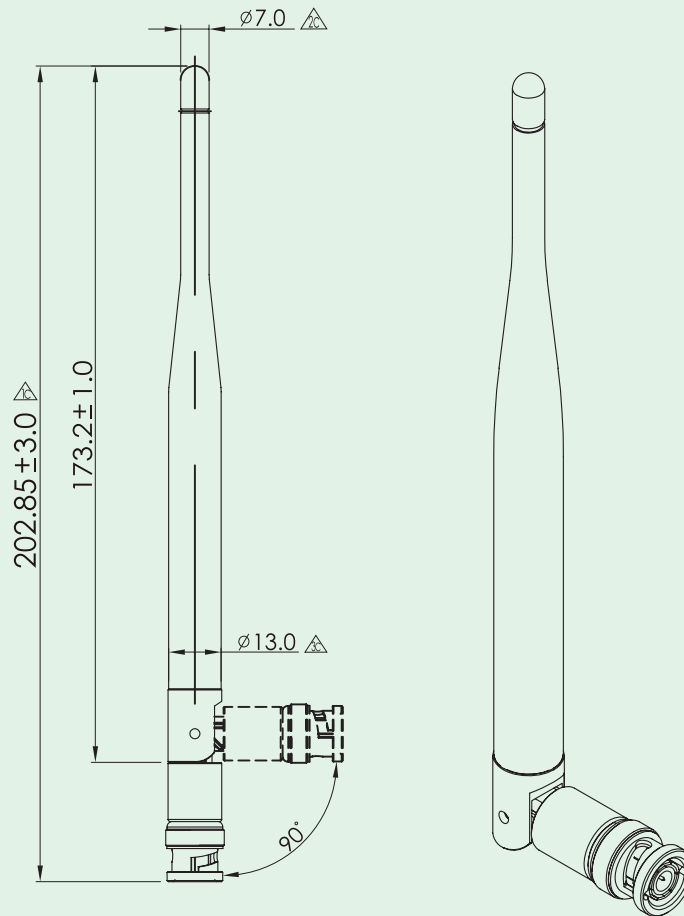
6607A01081

Part number changes as per different option



DVB-T Swivel Antenna

KINSUN



Product Data:

ROHS - Compliant

ELECTRICAL :

- Frequency Range : 470 ~ 860 MHz
- Impedance : 50 ohm
- VSWR : ≤ 2.0
- Radiation : Omni
- Polarization : Linear

MECHANICAL :

- Antenna Housing : Engineering Plastics
- Color : Black
- Operating Temperature : $-20^{\circ}\text{C} \sim +65^{\circ}\text{C}$
- Storage Temperature : $-30^{\circ}\text{C} \sim +75^{\circ}\text{C}$
- Connector : BNC Male

Part Number

6610302081

Optional Connector

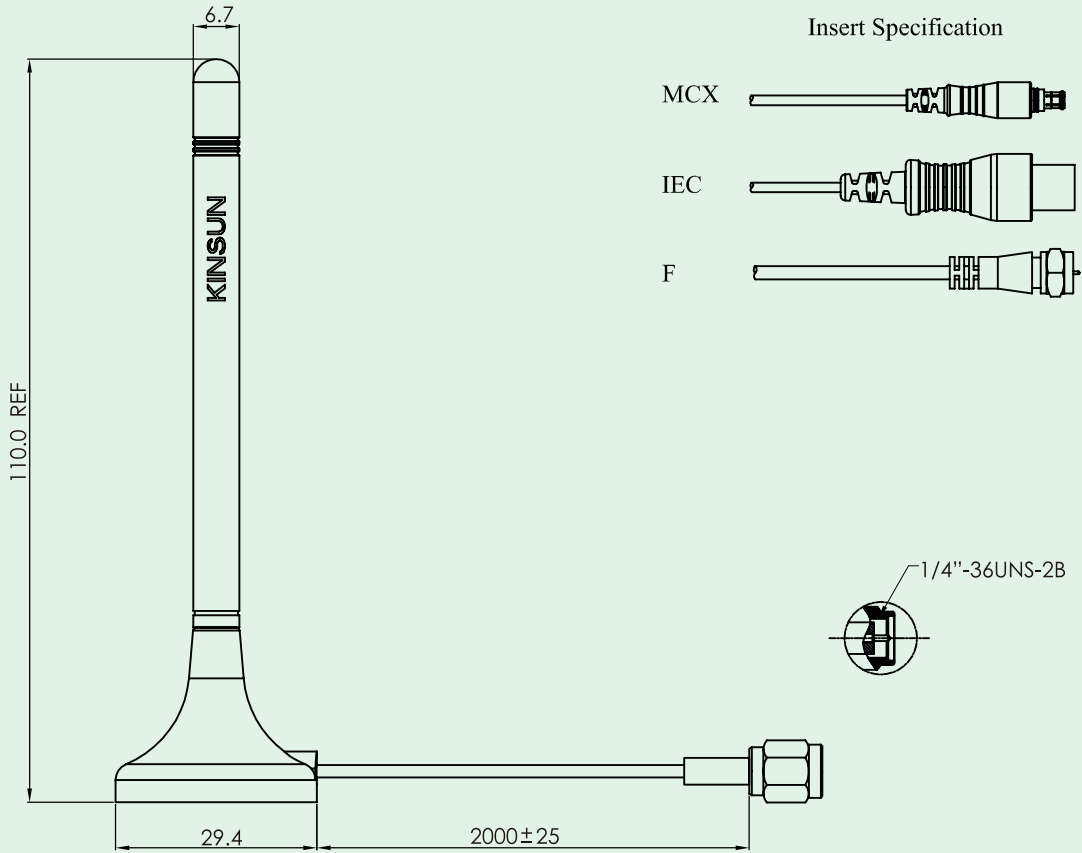
SMA Male
SMA Male Reverse
BNC Male
TNC Male
TNC Male Reverse

Part number changes as per different option



DVB-T Antenna With Magnetic

KINSUN



Product Data:

ROHS - Compliant

ELECTRICAL :

- Frequency Range : 470 ~ 860 MHz
- Impedance : 50 ohm
- VSWR : ≤ 3.0
- Gain : Depend on length
- Radiation : Omni
- Polarization : Linear

MECHANICAL :

- Antenna Housing : Engineering Plastics
- Color : Black
- Operating Temperature : $-20^{\circ}\text{C} \sim +65^{\circ}\text{C}$
- Storage Temperature : $-30^{\circ}\text{C} \sim +75^{\circ}\text{C}$
- Connector : SMA Male
- Cable : RG - 174

Part Number

6641B22043-20M

Optional Connector

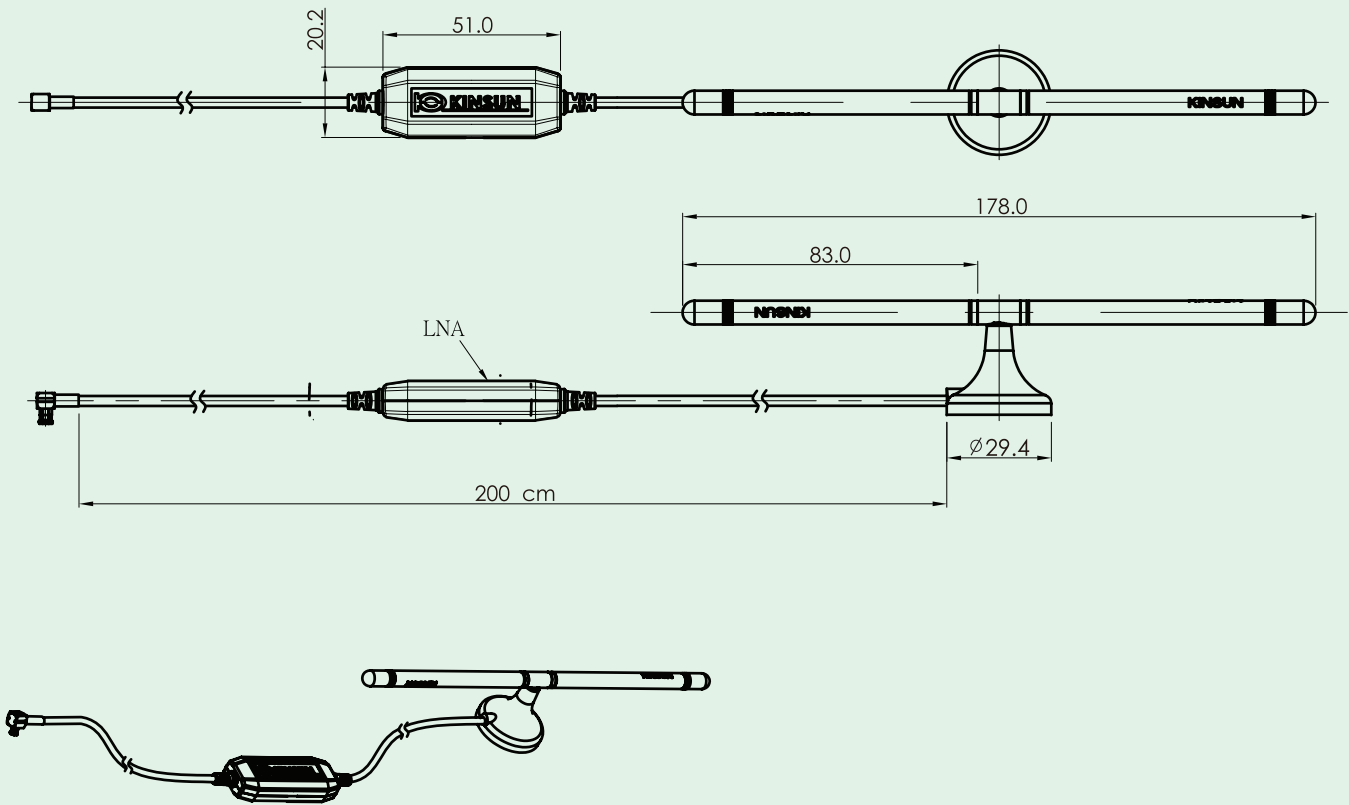
- NO
- SMA Male
- SMA Male Reverse
- MCX Male
- MCX Male Right Angle
- MMCX Male
- MMCX Male Right Angle
- FME Female
- IEC Male

Part number changes as per different option



DVB - T Antenna With Magnetic and LNA

KINSUN



Product Data:

ROHS - Compliant

ELECTRICAL :

- Frequency Range : 470 ~ 862 MHz
- Impedance : 50 ohm
- VSWR : ≤ 2.0
- Gain : 18 dBi
- Radiation : Omni
- Polarization : Linear

MECHANICAL :

- Antenna Housing : Engineering Plastics
- Color : Black
- Operating Temperature : -20°C ~ +65°C
- Storage Temperature : -30°C ~ +75°C
- Connector : MCX
- Cable : RG - 174

Part Number

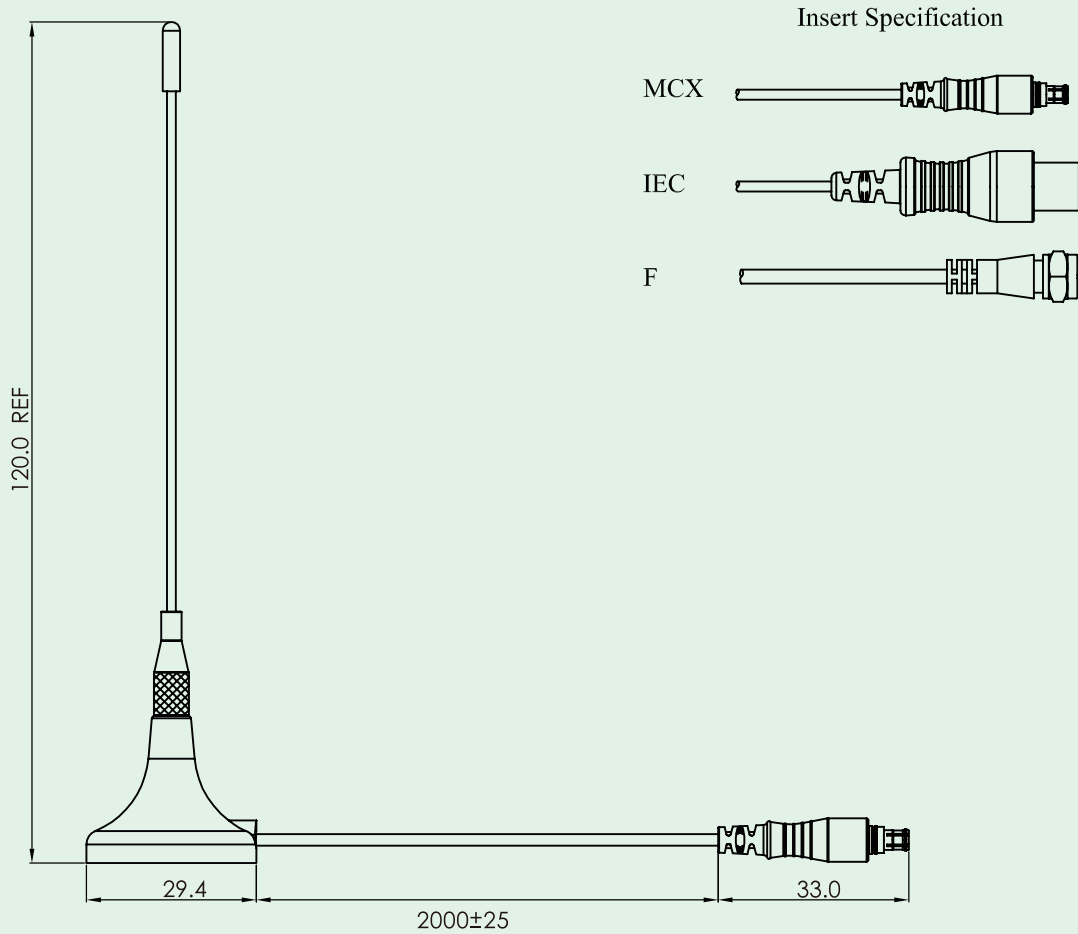
6643204041-20M

Part number changes as per different option



DVB-T Antenna With Magnetic

KINSUN



Product Data:

ROHS - Compliant

ELECTRICAL :

- Frequency Range : 470 ~ 860 MHz
- Impedance : 50 ohm
- VSWR : ≤ 3.0
- Gain : Depend on length
- Radiation : Omni
- Polarization : Linear

MECHANICAL :

- Antenna Housing : Steel
- Color : Black
- Operating Temperature : $-20^{\circ}\text{C} \sim +65^{\circ}\text{C}$
- Storage Temperature : $-30^{\circ}\text{C} \sim +75^{\circ}\text{C}$
- Connector : MCX Male
- Cable : RG - 174

Part Number

6651 Series

Optional Connector

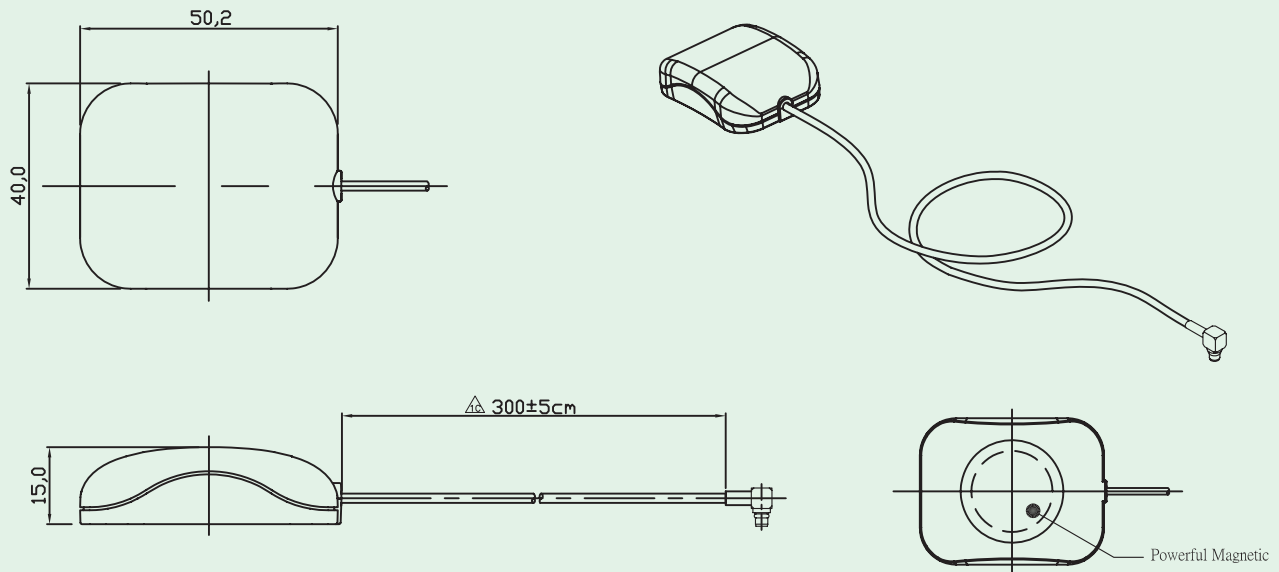
- NO
- SMA Male
- SMA Male Reverse
- MCX Male
- MCX Male Right Angle
- MMCX Male
- MMCX Male Right Angle
- FME Female
- IEC Male

Part number changes as per different option



GPS Antenna With Magnetic

KINSUN



Product Data:

ROHS - Compliant

ELECTRICAL :

- Frequency Range : 1575.42 MHz
- Impedance : 50 ohm
- VSWR : ≤ 2.0
- Gain : 26 dBi Typical
- Polarization : R. H. C. P

MECHANICAL :

- Antenna Housing : Engineering Plastics
- Color : Black
- Operating Temperature : $-20^{\circ}\text{C} \sim +65^{\circ}\text{C}$
- Storage Temperature : $-30^{\circ}\text{C} \sim +75^{\circ}\text{C}$
- Connector : MMCX Male Right Angle
- Cable : RG - 174

Part Number

6690106041-30M

Optional Connector

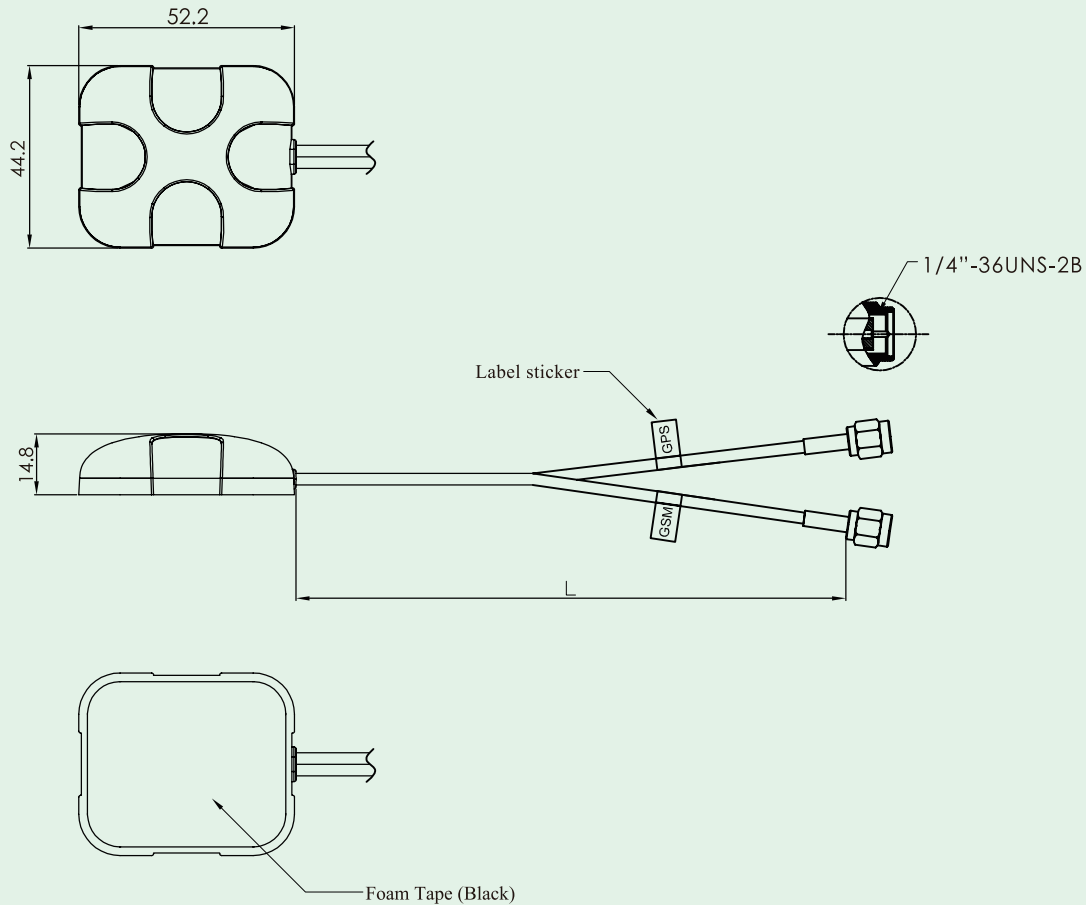
SMA Male
SMA Male Reverse
SMA Male Right Angle
SMA Male Right Angle Reverse
SMA Female
SMA Female Reverse
MCX Male
MCX Male Right Angle
MMCX Male
MMCX Male Right Angle
MHF (I - pex)

Part number changes as per different option



GPS & GSM Antenna

KINSUN



Product Data:

ROHS - Compliant

ELECTRICAL :

- Frequency Range : GPS 1575.42 MHz
GSM 850/900/1800/1900/2100 MHz
- Impedance : 50 ohm
- VSWR : ≤ 3.0
- Radiation : Omni
- Polarization : RHCP / Linear

MECHANICAL :

- Antenna Housing : Engineering Plastics
- Color : Black
- Operating Temperature : $-20^{\circ}\text{C} \sim +65^{\circ}\text{C}$
- Storage Temperature : $-30^{\circ}\text{C} \sim +75^{\circ}\text{C}$
- Connector : SMA Male
- Cable : RG - 174

Part Number

6691 Series

Optional Connector

- SMA Male
- SMA Male Reverse
- MCX Male
- MCX Male Right Angle
- MMCX Male
- MMCX Male Right Angle

Part number changes as per different option

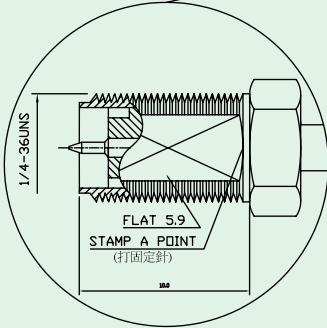
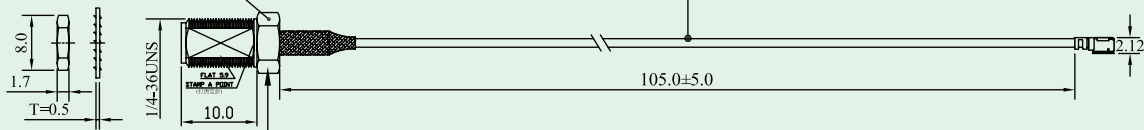


1.13 Coaxial Cable

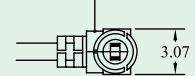
KINSUN

SMA FEMALE BULKHEAD REVERSE FOR
Ø 1.13 CABLE

Standard Coaxial Cable
Ø 1.13mm



MHF (I-pex) CONNECTOR FOR Ø 1.13 CABLE



Part Number

ROHS - Compliant

6303070203-105

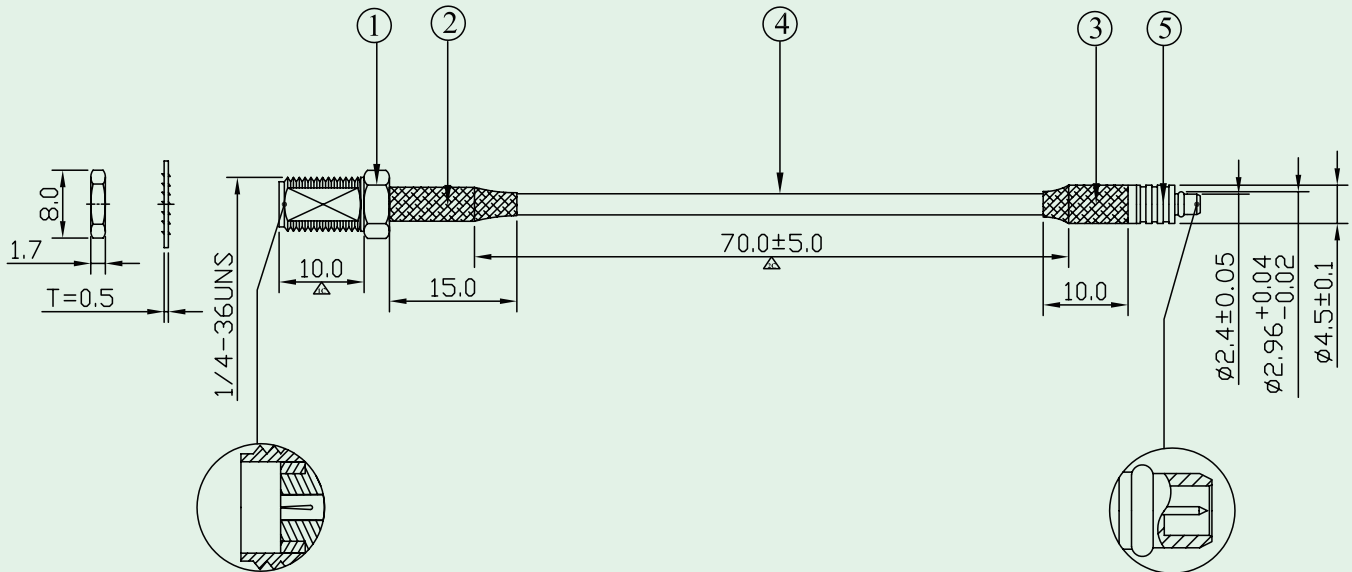
Optional Connector

- NO
- SMA Male
- SMA Male Reverse
- SMA Male Right Angle
- SMA Male Right Angle Reverse
- SMA Female
- SMA Female Reverse
- MCX Male
- MCX Male Right Angle
- MMCX Male
- MMCX Male Right Angle
- TNC Male
- MHF (I - pex)
- N Female
- FME Female



RG-174 Coaxial Cable

KINSUN



- ① SMA Female Bulkhead
- ② HEAT SHRINK TUBE 3.5
- ③ HEAT SHRINK TUBE 3.5
- ④ Standard Coaxial Cable RG-174
- ⑤ MMCX Connector for RG-174 Cable

Part Number

ROHS - Compliant

6304011800-070

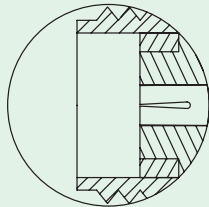
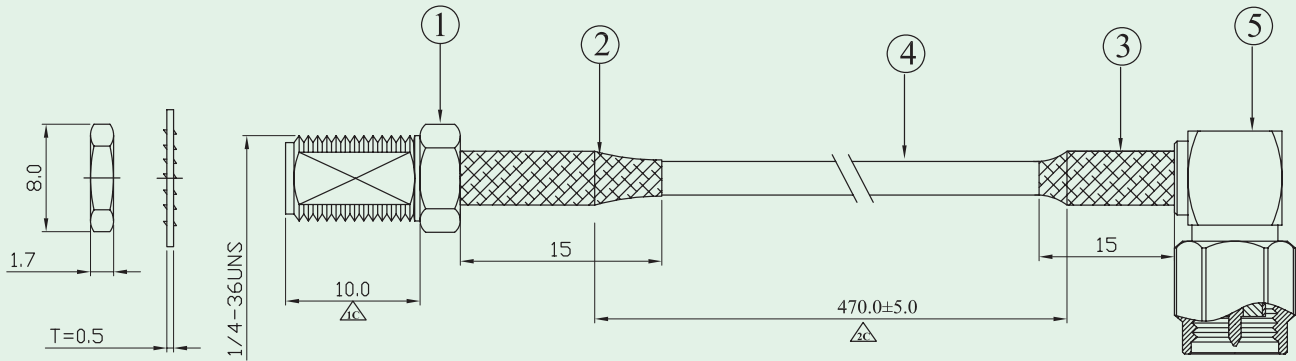
Optional Connector

- NO
- SMA Male
- SMA Male Reverse
- SMA Male Right Angle
- SMA Male Right Angle Reverse
- SMA Female
- SMA Female Reverse
- MCX Male
- MCX Male Right Angle
- MMCX Male
- MMCX Male Right Angle
- TNC Male
- N Male
- N Female
- FME Female



RG-316 Coaxial Cable

KINSUN



*標註△為品保檢驗尺寸

| | |
|---|--|
| 1 | SMA Female Bulkhead for RG-316 CABLE |
| 2 | HEAT SHRINK THBE ϕ 3.5 |
| 3 | HEAT SHRINK THBE ϕ 3.5 |
| 4 | Standard Coaxial Cable RG-316) |
| 5 | SMA Male Right Angle Bulkhead for RG-316 CABLE |

Part Number

ROHS - Compliant

6306012100-470

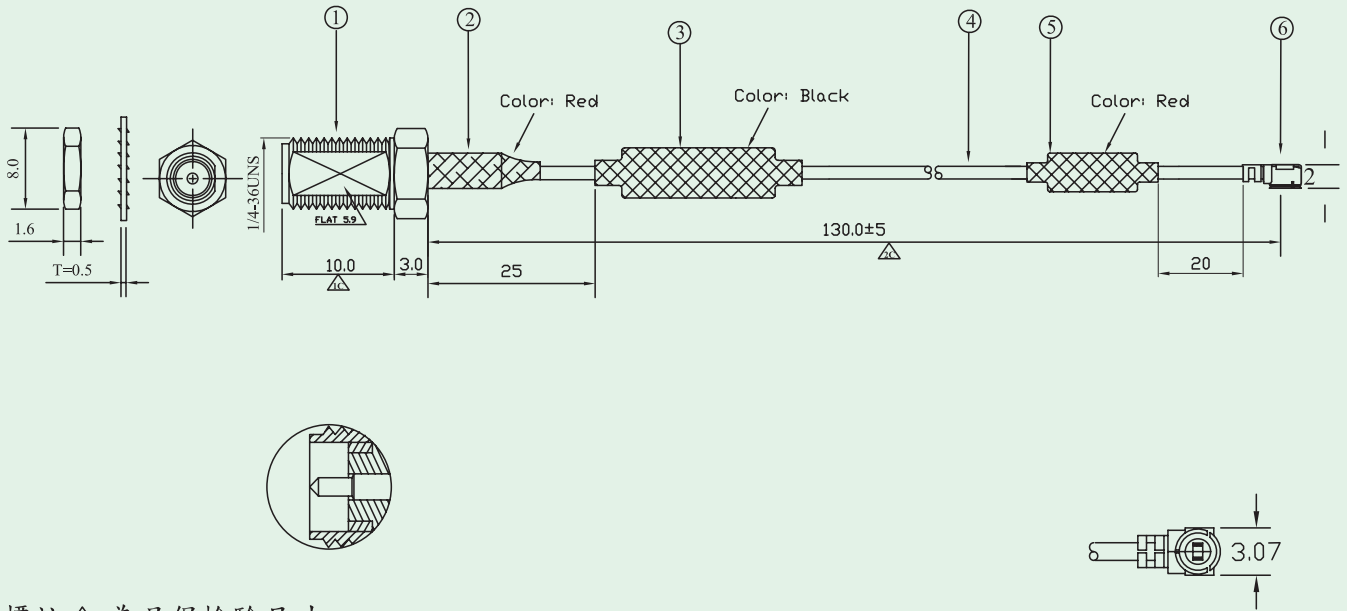
Optional Connector

- NO
- SMA Male
- SMA Male Reverse
- SMA Male Right Angle
- SMA Male Right Angle Reverse
- SMA Female
- SMA Female Reverse
- MCX Male
- MCX Male Right Angle
- MMCX Male
- MMCX Male Right Angle
- TNC Male
- N Male
- N Female
- FME Female



1.37 Coaxial Cable

KINSUN



*標註△ 為品保檢驗尺寸

| | |
|---|---|
| 1 | SMA Female Reverse for $\phi 1.37$ CABLE |
| 2 | HEAT SHRINK THBE $\phi 2.0$ 紅色 |
| 3 | CORE $\phi 6*25*2$ + HEAT SHRINK THBE $\phi 6*1$ 黑色 |
| 4 | Standard Coaxial Cable $\phi 1.37$ cable 白色 |
| 5 | CORE $\phi 4*10*2$ + HEAT SHRINK THBE $\phi 4*1$ 紅色 |
| 6 | MHF (I-pex) Connector for $\phi 1.37$ CABLE |

Part Number

ROHS - Compliant

6307010234-130

Optional Connector

- NO
- SMA Male
- SMA Male Reverse
- SMA Male Right Angle
- SMA Male Right Angle Reverse
- SMA Female
- SMA Female Reverse
- MMCX Male
- MMCX Male Right Angle
- MHF (I - pex)
- N Female

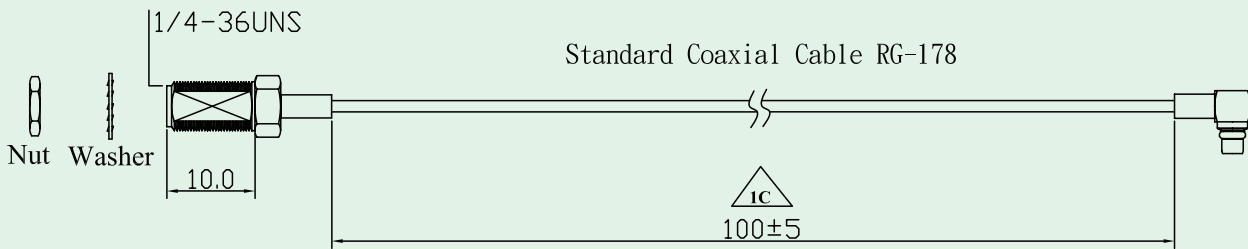


RG - 178 Coaxial Cable

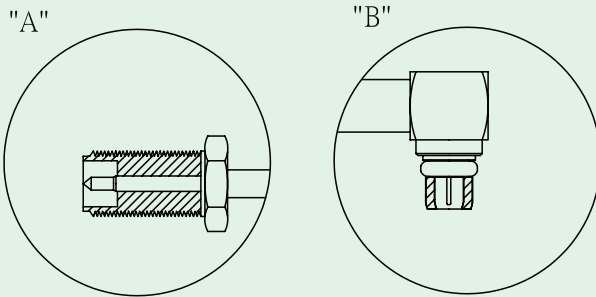
KINSUN

SMA FEMALE BULKHEAD REVERSE "A"

MMCX MALE RIGHT ANGLE "B"



Detail:



Part Number

ROHS - Compliant

6308070501-100

Optional Connector

- NO
- SMA Male
- SMA Male Reverse
- SMA Male Right Angle
- SMA Male Right Angle Reverse
- SMA Female
- SMA Female Reverse
- MCX Male
- MCX Male Right Angle
- MMCX Male
- MMCX Male Right Angle
- BNC Male
- TNC Male
- MHF (I - pex)
- N Male
- N Female



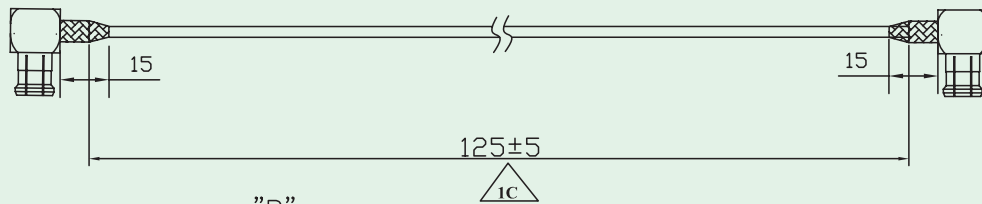
RG - 179 Coaxial Cable

KINSUN

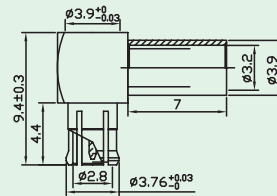
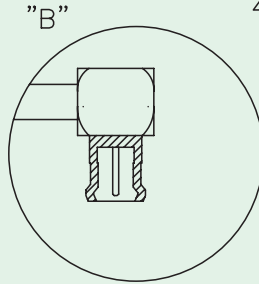
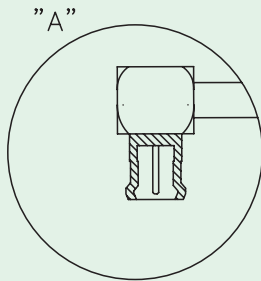
MCX MALE RIGHT ANGLE
"A"

MCX MALE RIGHT ANGLE
"B"

Standard Coaxial Cable RG-179



Detail:



- 1. CONNECTER:
 IMPEDANCE: 75Ω
 FREQUENCY RANGE: 0~6GHz
 TEMPERATURE RANGE: -55°C~155°C
- 2. CABLE:
 IMPEDANCE: 75Ω
 FREQUENCY RANGE: 0~2GHz
 TEMPERATURE RANGE: -50°C~200°C
- 3. CABLE ASSEMBLY:
 IMPEDANCE: 75Ω
 FREQUENCY RANGE: 0~2GHz
 TEMPERATURE RANGE: -50°C~155°C

Part Number

ROHS - Compliant

Optional Connector

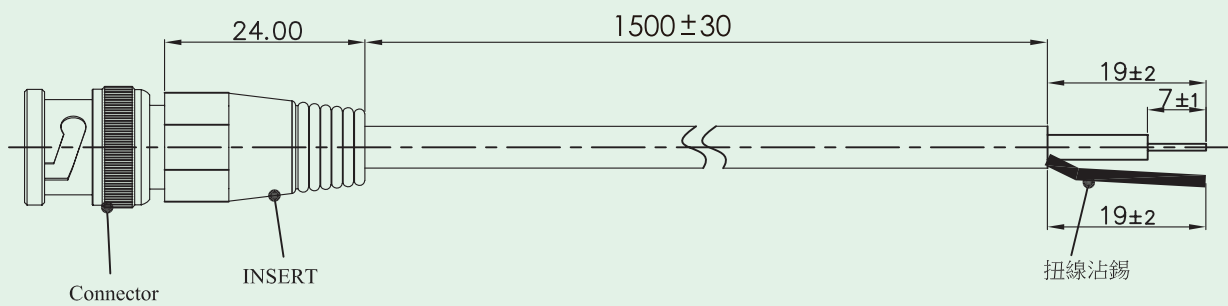
- NO
- MCX Male Right Angle

6309010100-125



RG - 58 Coaxial Cable

KINSUN



Part Number

ROHS - Compliant

Optional Connector

NO
BNC Male

6358010001-15M

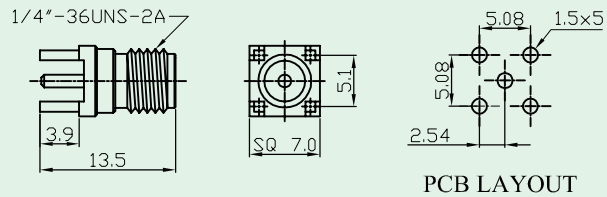


SMA

KINSUN

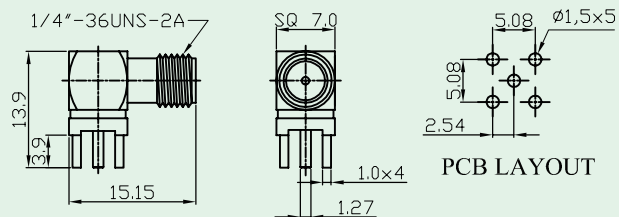
Straight Jack PCB Mount Receptacle

- PART NO : 6472201200
- Finish : GOLD PLATED
- INSULATION : TEFLON



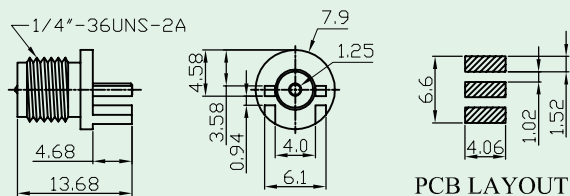
Right Angle Jack Reverse PCB Mount Receptacle

- PART NO : 6472301101
- Finish : GOLD PLATED
- INSULATION : TEFLON



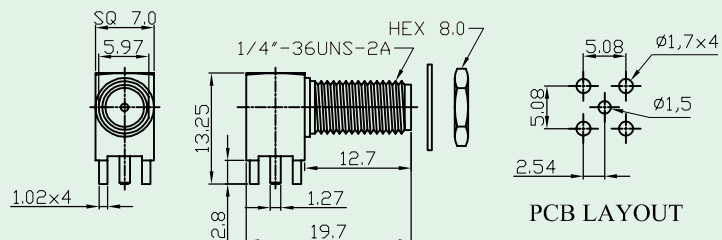
Straight Jack Reverse PCB Mnd Launch Receptacle

- PART NO : 6472201300
- Finish : GOLD PLATED
- INSULATION : TEFLON



Right Angle Jack PCB Mount Receptacle

- PART NO : 6472301200
- Finish : GOLD PLATED
- INSULATION : TEFLON



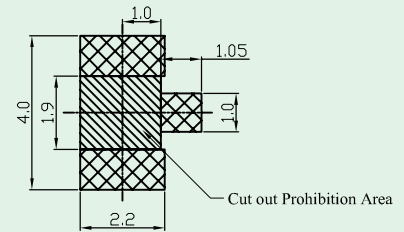
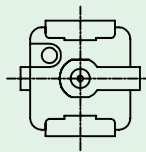
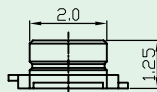
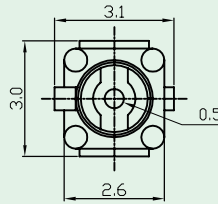


MHF

KINSUN

Straight Jack PCB Mount Receptacle

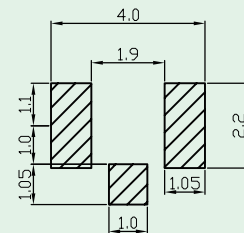
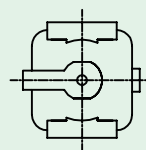
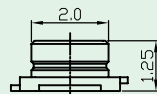
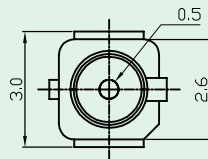
- PART NO : 6474003100
- Finish : GOLD PLATED
- INSULATION : LCP



PCB LAYOUT

Straight Jack PCB Mount Receptacle

- PART NO : 6474011114
- Finish : GOLD PLATED
- INSULATION : LCP



PCB LAYOUT

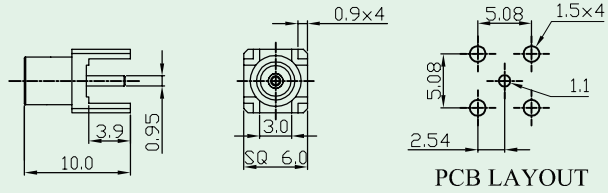


MCX

KINSUN

Straight Jack PCB Mount Receptacle

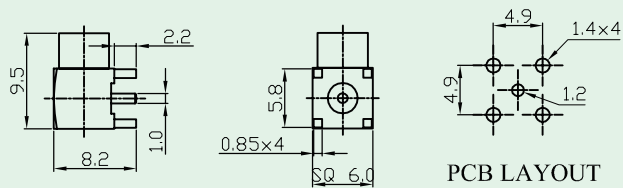
- PART NO : 6476201300
- Finish : GOLD PLATED
- INSULATION : TEFLON



PCB LAYOUT

Right Angle Jack PCB Mount Receptacle

- PART NO : 6476010110
- Finish : GOLD PLATED
- INSULATION : TEFLON



PCB LAYOUT

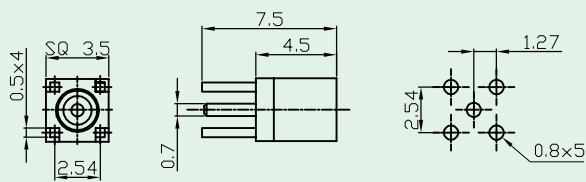


MMCX

KINSUN

Straight Jack PCB Mount Receptacle

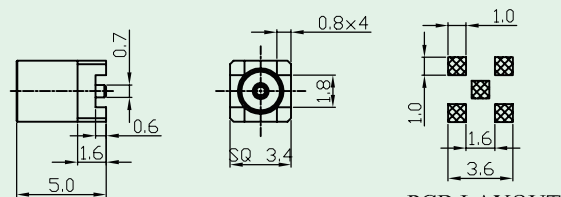
- PART NO : 6470010300
- Finish : GOLD PLATED
- INSULATION : TEFLON



PCB LAYOUT

Straight Jack Surface Mount Receptacle

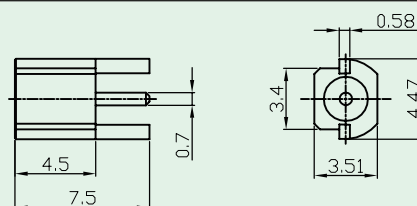
- PART NO : 6470010304
- Finish : GOLD PLATED
- INSULATION : TEFLON



PCB LAYOUT

Straight Jack End Launch Receptacle

- PART NO : 6470010330
- Finish : GOLD PLATED
- INSULATION : TEFLON



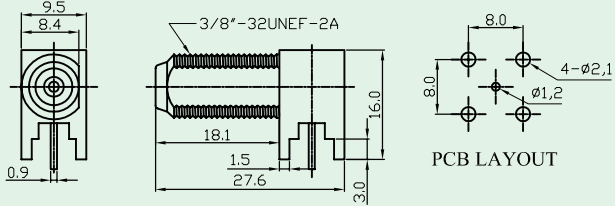


F

KINSUN

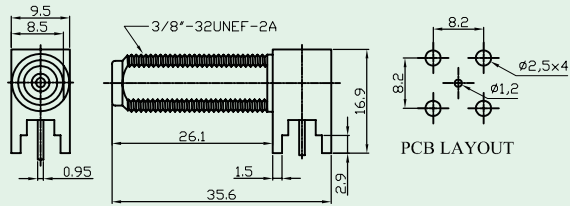
Right Angle Jack PCB Mount Receptacle

- PART NO : 6480036160
- Finish : TIN PLATED
- INSULATION : POM



Right Angle Jack PCB Mount Receptacle

- PART NO : 6480300400
- Finish : TIN PLATED
- INSULATION : POM

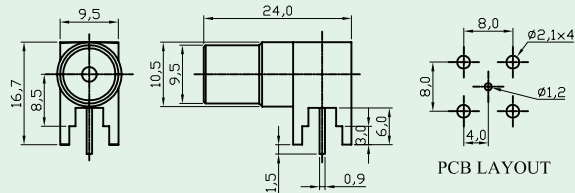


IEC / PAX

KINSUN

Right Angle Plug PCB Mount Receptacle

- PART NO : 6482030100
- Finish : NICKEL PLATED
- INSULATION : POM



SMB

KINSUN

Right Angle Jack PCB Mount Receptacle

- PART NO : 6478303100
- Finish : NICKEL PLATED
- INSULATION : TEFLON

