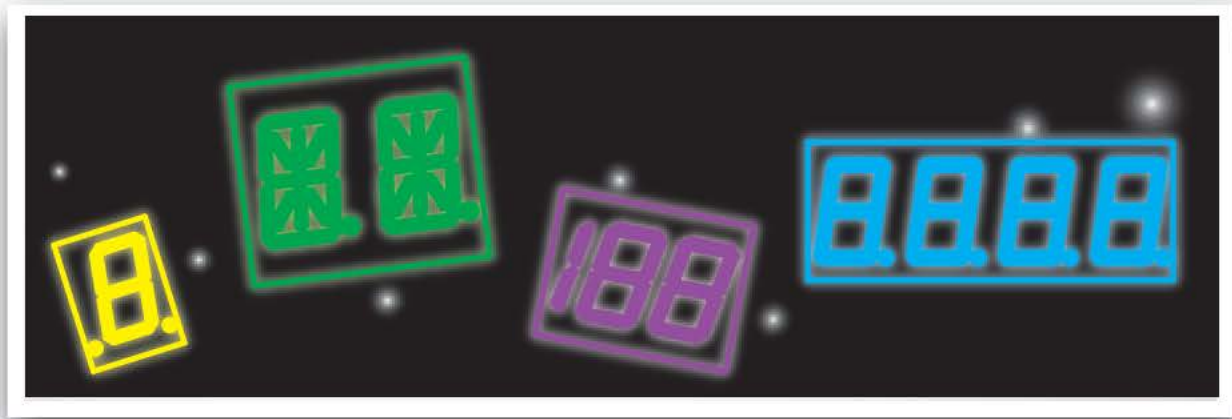


# COTENTS

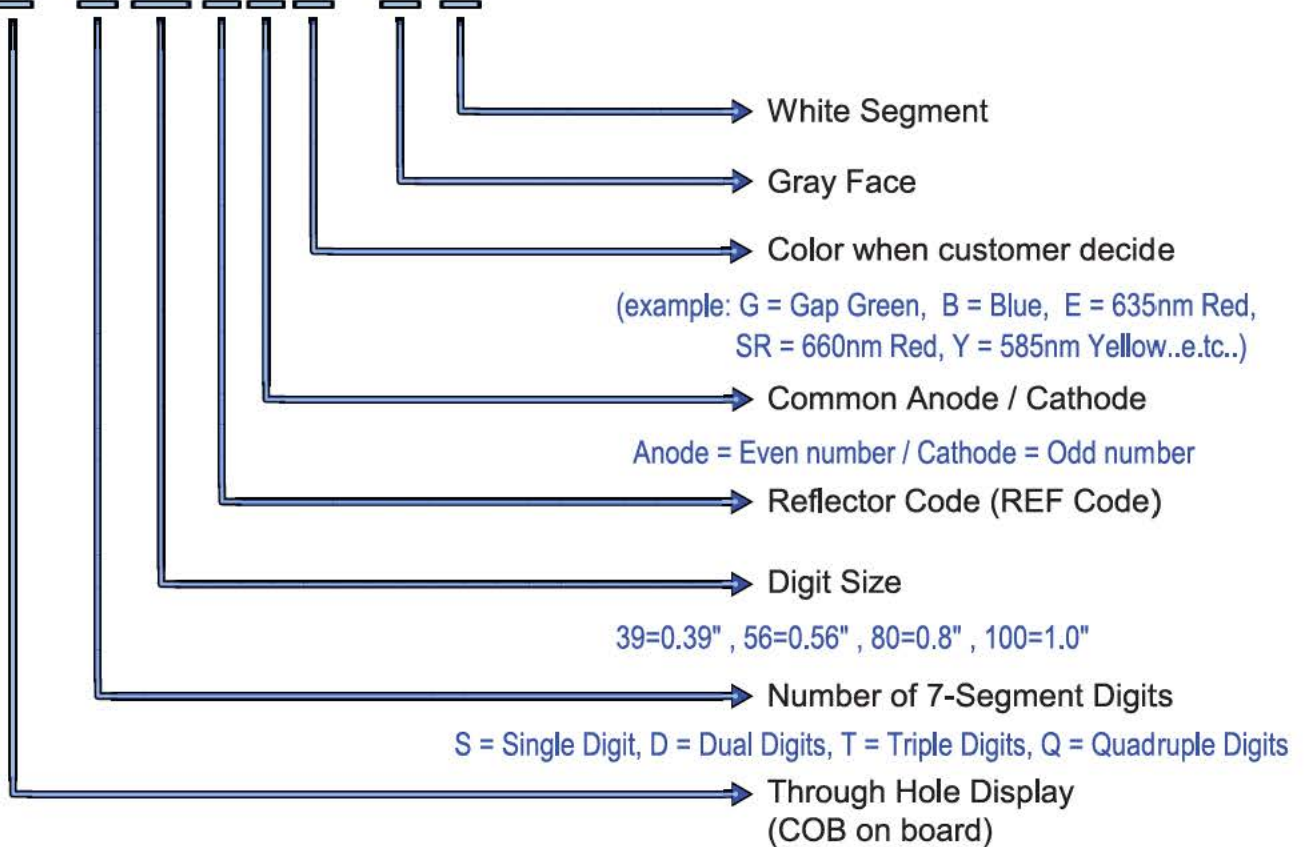
✦ Single Digits Displays .....	1 - 12
✦ Two Digits Displays .....	13 - 16
✦ Three Digits Displays .....	17 - 20
✦ Four Digits Displays .....	21 - 24
✦ Matrix Displays .....	26 - 36





# LED DISPLAY PART NO. SYSTEM

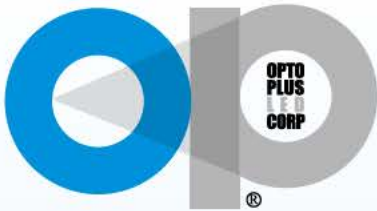
OPD - D 39 1 0 B - G W



RoHS

Lead - free



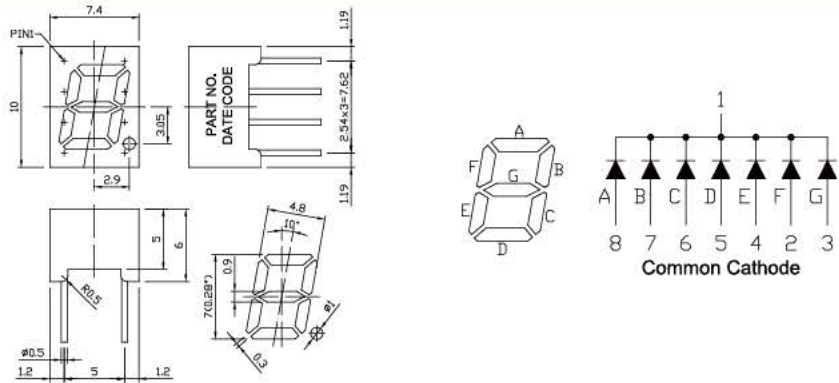
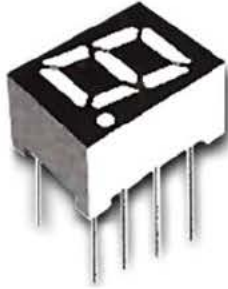


# 展躍光電科技股份有限公司 OPTO PLUS LED CORP.

## Through Hole Display

### Package Dimension / Internal Circuit

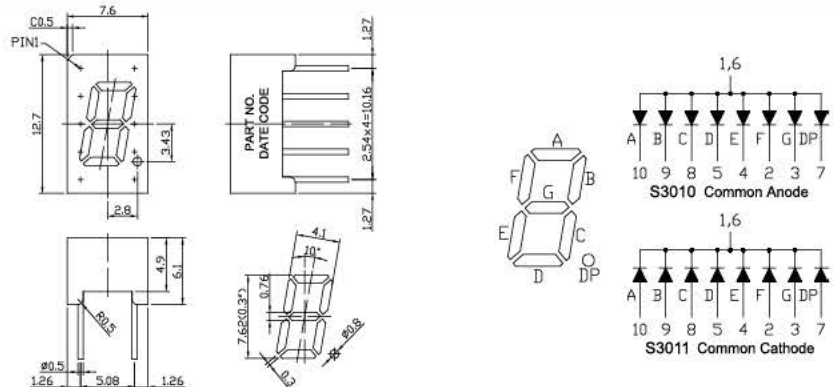
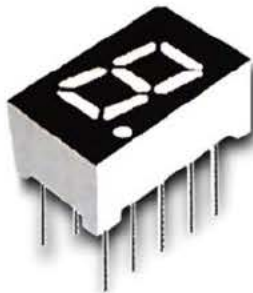
#### 0.28" single digit display



Part Number (C.A / C.C.)	Color	Wave Length (nm) $\lambda_d$ @ $I_f = 20\text{mA}$ (Dice Materials)	$V_f$ (V) at $I_f = 20\text{mA}$ / per dice	Part Number (C.A / C.C.)	Color	Wave Length (nm) $\lambda_d$ @ $I_f = 20\text{mA}$ (Dice Materials)	$V_f$ (V) at $I_f = 20\text{mA}$ / per dice
<del>OPD-S2811G-BW</del>	Super Blue	460nm (InGaN / Sapphire)	60 mcd	OPD-S2811LY-BW	Super Bright Yellow	590nm (AlGaInP / GaAs)	120 mcd
<del>OPD-S2811Y-BW</del>	Super Bright Blue	470nm (InGaN / Sapphire)	120 mcd	OPD-S2811A-BW	Amber	610nm (GaAsP / GaP)	10 mcd
<del>OPD-S2811E-BW</del>	Pure Green	525nm (InGaN / Sapphire)	250 mcd	OPD-S2811LA-BW	Super Bright Amber	610nm (AlGaInP / GaAs)	100 mcd
OPD-S2811G-BW	Yellow Green	570nm (GaP / GaP)	15 mcd	OPD-S2811E-BW	High Efficiency Red	620nm (GaAsP / GaP)	10 mcd
OPD-S2811YG-BW	Super Bright Yellow Green	570nm (AlGaInP / GaAs)	40 mcd	OPD-S2811LE-BW	Super Bright Red	625nm (AlGaInP / GaAs)	120 mcd
OPD-S2811Y-BW	Yellow	590nm (GaAsP / GaP)	17 mcd	OPD-S2811SR-BW	Super Red	645nm (AlGaAs / GaAs,SH)	10 mcd

### Package Dimension / Internal Circuit

#### 0.30" single digit display

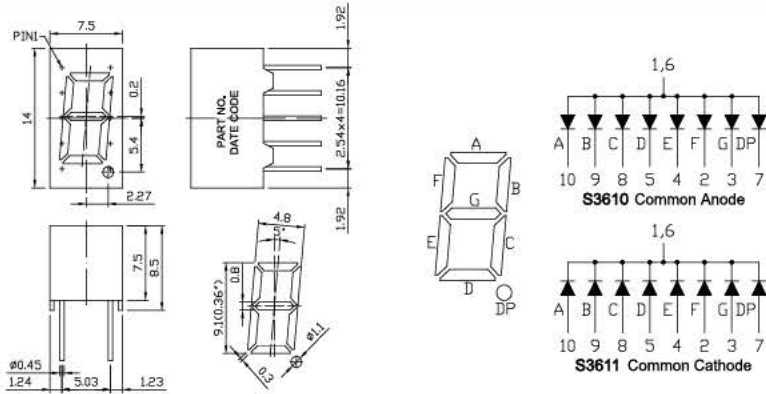
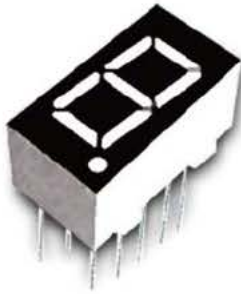


Part Number (C.A / C.C.)	Color	Wave Length (nm) $\lambda_d$ @ $I_f = 20\text{mA}$ (Dice Materials)	$V_f$ (V) at $I_f = 20\text{mA}$ / per dice	Part Number (C.A / C.C.)	Color	Wave Length (nm) $\lambda_d$ @ $I_f = 20\text{mA}$ (Dice Materials)	$V_f$ (V) at $I_f = 20\text{mA}$ / per dice
<del>OPD-S3010G-BW</del>	Super Blue	460nm (InGaN / Sapphire)	60 mcd	OPD-S3010/1LY-BW	Super Bright Yellow	590nm (AlGaInP / GaAs)	120 mcd
<del>OPD-S3010Y-BW</del>	Super Bright Blue	470nm (InGaN / Sapphire)	120 mcd	OPD-S3010/1A-BW	Amber	610nm (GaAsP / GaP)	10 mcd
<del>OPD-S3010E-BW</del>	Pure Green	525nm (InGaN / Sapphire)	250 mcd	OPD-S3010/1LA-BW	Super Bright Amber	610nm (AlGaInP / GaAs)	100 mcd
OPD-S3010/1G-BW	Yellow Green	570nm (GaP / GaP)	15 mcd	OPD-S3010/1E-BW	High Efficiency Red	620nm (GaAsP / GaP)	10 mcd
OPD-S3010/1YG-BW	Super Bright Yellow Green	570nm (AlGaInP / GaAs)	40 mcd	OPD-S3010/1LE-BW	Super Bright Red	625nm (AlGaInP / GaAs)	120 mcd
OPD-S3010/1Y-BW	Yellow	590nm (GaAsP / GaP)	17 mcd	OPD-S3010/1SR-BW	Super Red	645nm (AlGaAs / GaAs,SH)	10 mcd



#### Package Dimension / Internal Circuit

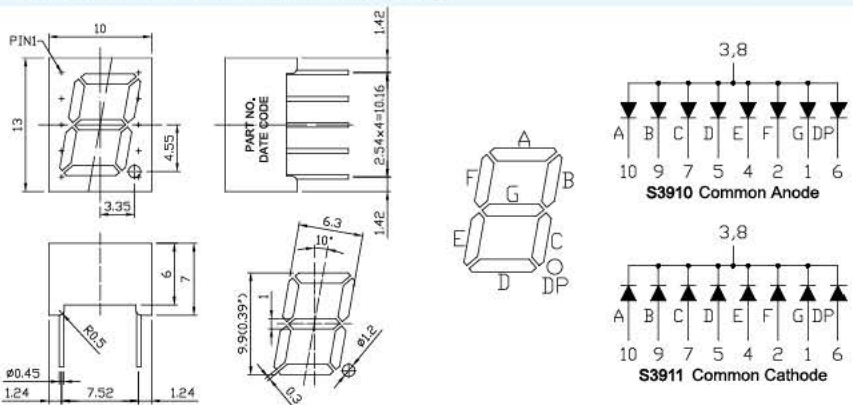
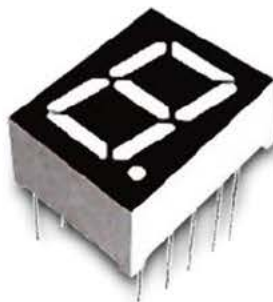
#### 0.36" single digit display



Part Number (C.A / C.C.)	Color	Wave Length (nm) $\lambda_d @ I_f = 20\text{mA}$ (Dice Materials)	$V_f$ (V) at $I_f = 20\text{mA}$ / per dice	Part Number (C.A / C.C.)	Color	Wave Length (nm) $\lambda_d @ I_f = 20\text{mA}$ (Dice Materials)	$V_f$ (V) at $I_f = 20\text{mA}$ / per dice
<del>OPD-S3610/1B-BW</del>	Super Blue	460nm (InGaN / Sapphire)	60 mcd	OPD-S3610/1LY-BW	Super Bright Yellow	590nm (AlGaInP / GaAs)	120 mcd
<del>OPD-S3610/1A-BW</del>	Super Bright Blue	470nm (InGaN / Sapphire)	120 mcd	OPD-S3610/1A-BW	Amber	610nm (GaAsP / GaP)	10 mcd
<del>OPD-S3610/1G-BW</del>	Pure Green	525nm (InGaN / Sapphire)	250 mcd	OPD-S3610/1LA-BW	Super Bright Amber	610nm (AlGaInP / GaAs)	100 mcd
OPD-S3610/1G-BW	Yellow Green	570nm (GaP / GaP)	15 mcd	OPD-S3610/1E-BW	High Efficiency Red	620nm (GaAsP / GaP)	10 mcd
OPD-S3610/1YG-BW	Super Bright Yellow Green	570nm (AlGaInP / GaAs)	40 mcd	OPD-S3610/1LE-BW	Super Bright Red	625nm (AlGaInP / GaAs)	120 mcd
OPD-S3610/1Y-BW	Yellow	590nm (GaAsP / GaP)	17 mcd	OPD-S3610/1SR-BW	Super Red	645nm (AlGaAs / GaAs,SH)	10 mcd

#### Package Dimension / Internal Circuit

#### 0.39" single digit display

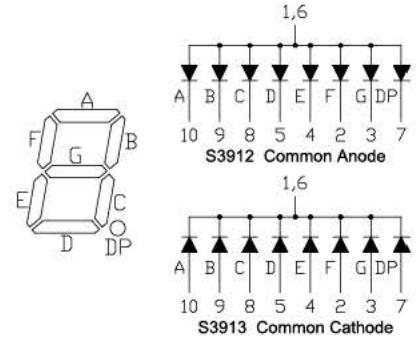
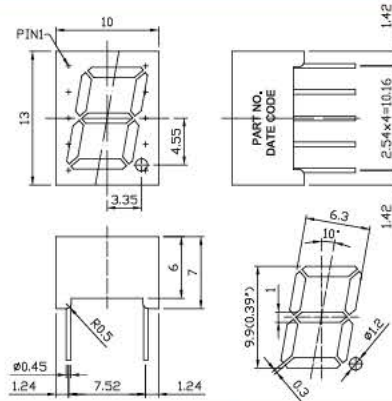
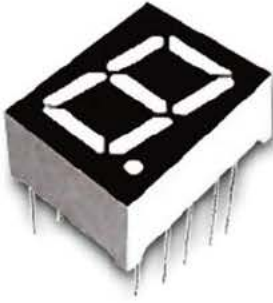


Part Number (C.A / C.C.)	Color	Wave Length (nm) $\lambda_d @ I_f = 20\text{mA}$ (Dice Materials)	$V_f$ (V) at $I_f = 20\text{mA}$ / per dice	Part Number (C.A / C.C.)	Color	Wave Length (nm) $\lambda_d @ I_f = 20\text{mA}$ (Dice Materials)	$V_f$ (V) at $I_f = 20\text{mA}$ / per dice
OPD-S3910/1B-BW	Super Blue	460nm (InGaN / Sapphire)	60 mcd	OPD-S3910/1LY-BW	Super Bright Yellow	590nm (AlGaInP / GaAs)	120 mcd
OPD-S3910/1LB-BW	Super Bright Blue	470nm (InGaN / Sapphire)	120 mcd	OPD-S3910/1A-BW	Amber	610nm (GaAsP / GaP)	10 mcd
OPD-S3910/1PY-BW	Pure Green	525nm (InGaN / Sapphire)	250 mcd	OPD-S3910/1LA-BW	Super Bright Amber	610nm (AlGaInP / GaAs)	100 mcd
OPD-S3910/1G-BW	Yellow Green	570nm (GaP / GaP)	15 mcd	OPD-S3910/1E-BW	High Efficiency Red	620nm (GaAsP / GaP)	10 mcd
OPD-S3910/1YG-BW	Super Bright Yellow Green	570nm (AlGaInP / GaAs)	40 mcd	OPD-S3910/1LE-BW	Super Bright Red	625nm (AlGaInP / GaAs)	120 mcd
OPD-S3910/1Y-BW	Yellow	590nm (GaAsP / GaP)	17 mcd	OPD-S3910/1SR-BW	Super Red	645nm (AlGaAs / GaAs,SH)	10 mcd



#### Package Dimension / Internal Circuit

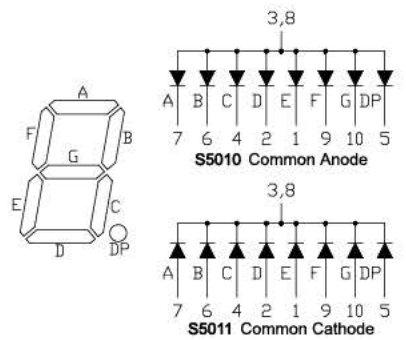
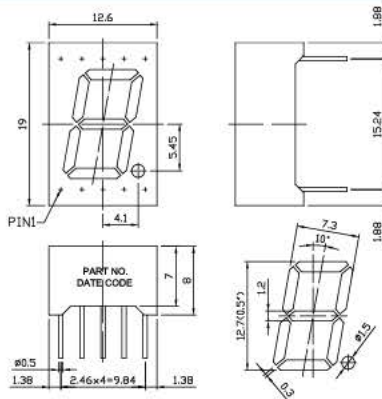
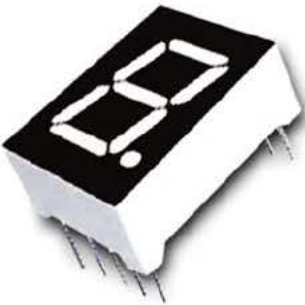
#### 0.39" single digit display



Part Number (C.A / C.C.)	Color	Wave Length (nm) $\lambda_d @ I_f = 20\text{mA}$ (Dice Materials)	$V_f$ (V) at $I_f = 20\text{mA}$ / per dice	Part Number (C.A / C.C.)	Color	Wave Length (nm) $\lambda_d @ I_f = 20\text{mA}$ (Dice Materials)	$V_f$ (V) at $I_f = 20\text{mA}$ / per dice
OPD-S3912/3B-BW	Super Blue	460nm (InGaN / Sapphire)	60 mcd	OPD-S3912/3LY-BW	Super Bright Yellow	590nm (AlGaInP / GaAs)	120 mcd
OPD-S3912/3LB-BW	Super Bright Blue	470nm (InGaN / Sapphire)	120 mcd	OPD-S3912/3A-BW	Amber	610nm (GaAsP / GaP)	10 mcd
OPD-S3912/3PY-BW	Pure Green	525nm (InGaN / Sapphire)	250 mcd	OPD-S3912/3LA-BW	Super Bright Amber	610nm (AlGaInP / GaAs)	100 mcd
OPD-S3912/3G-BW	Yellow Green	570nm (GaP / GaP)	15 mcd	OPD-S3912/3E-BW	High Efficiency Red	620nm (GaAsP / GaP)	10 mcd
OPD-S3912/3YG-BW	Super Bright Yellow Green	570nm (AlGaInP / GaAs)	40 mcd	OPD-S3912/3LE-BW	Super Bright Red	625nm (AlGaInP / GaAs)	120 mcd
OPD-S3912/3Y-BW	Yellow	590nm (GaAsP / GaP)	17 mcd	OPD-S3912/3SR-BW	Super Red	645nm (AlGaAs / GaAs,SH)	10 mcd

#### Package Dimension / Internal Circuit

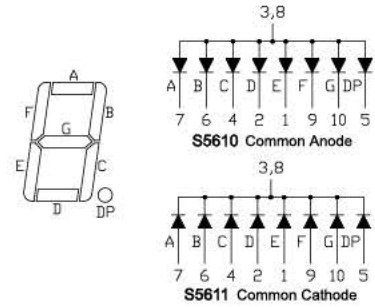
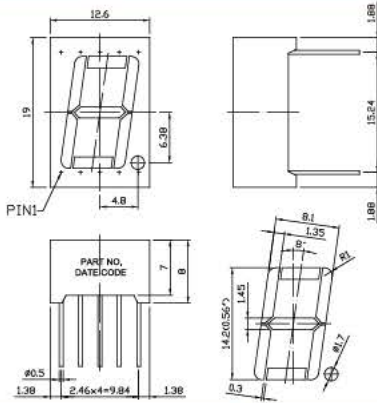
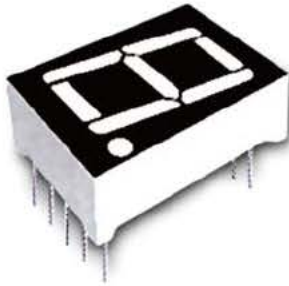
#### 0.50" single digit display



Part Number (C.A / C.C.)	Color	Wave Length (nm) $\lambda_d @ I_f = 20\text{mA}$ (Dice Materials)	$V_f$ (V) at $I_f = 20\text{mA}$ / per dice	Part Number (C.A / C.C.)	Color	Wave Length (nm) $\lambda_d @ I_f = 20\text{mA}$ (Dice Materials)	$V_f$ (V) at $I_f = 20\text{mA}$ / per dice
OPD-S5010/1B-BW	Super Blue	460nm (InGaN / Sapphire)	60 mcd	OPD-S5010/1LY-BW	Super Bright Yellow	590nm (AlGaInP / GaAs)	120 mcd
OPD-S5010/1LB-BW	Super Bright Blue	470nm (InGaN / Sapphire)	120 mcd	OPD-S5010/1A-BW	Amber	610nm (GaAsP / GaP)	10 mcd
OPD-S5010/1PY-BW	Pure Green	525nm (InGaN / Sapphire)	250 mcd	OPD-S5010/1LA-BW	Super Bright Amber	610nm (AlGaInP / GaAs)	100 mcd
OPD-S5010/1G-BW	Yellow Green	570nm (GaP / GaP)	15 mcd	OPD-S5010/1E-BW	High Efficiency Red	620nm (GaAsP / GaP)	10 mcd
OPD-S5010/1YG-BW	Super Bright Yellow Green	570nm (AlGaInP / GaAs)	40 mcd	OPD-S5010/1LE-BW	Super Bright Red	625nm (AlGaInP / GaAs)	120 mcd
OPD-S5010/1Y-BW	Yellow	590nm (GaAsP / GaP)	17 mcd	OPD-S5010/1SR-BW	Super Red	645nm (AlGaAs / GaAs,SH)	10 mcd

#### Package Dimension / Internal Circuit

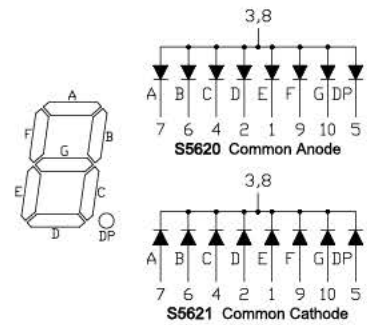
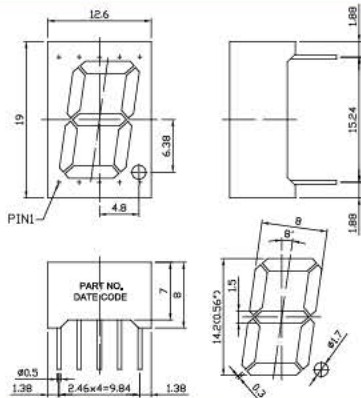
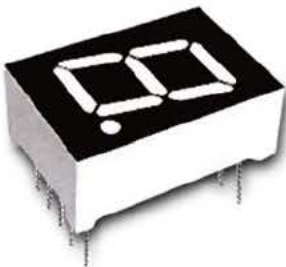
#### 0.56" single digit display



Part Number (C.A / C.C.)	Color	Wave Length (nm) $\lambda_d @ I_f = 20\text{mA}$ (Dice Materials)	$V_f$ (V) at $I_f = 20\text{mA}$ / per dice	Part Number (C.A / C.C.)	Color	Wave Length (nm) $\lambda_d @ I_f = 20\text{mA}$ (Dice Materials)	$V_f$ (V) at $I_f = 20\text{mA}$ / per dice
OPD-S5610/1B-BW	Super Blue	460nm (InGaN / Sapphire)	60 mcd	OPD-S5610/1LY-BW	Super Bright Yellow	590nm (AlGaInP / GaAs)	120 mcd
OPD-S5610/1LB-BW	Super Bright Blue	470nm (InGaN / Sapphire)	120 mcd	OPD-S5610/1A-BW	Amber	610nm (GaAsP / GaP)	10 mcd
OPD-S5610/1PY-BW	Pure Green	525nm (InGaN / Sapphire)	250 mcd	OPD-S5610/1LA-BW	Super Bright Amber	610nm (AlGaInP / GaAs)	100 mcd
OPD-S5610/1G-BW	Yellow Green	570nm (GaP / GaP)	15 mcd	OPD-S5610/1E-BW	High Efficiency Red	620nm (GaAsP / GaP)	10 mcd
OPD-S5610/1YG-BW	Super Bright Yellow Green	570nm (AlGaInP / GaAs)	40 mcd	OPD-S5610/1LE-BW	Super Bright Red	625nm (AlGaInP / GaAs)	120 mcd
OPD-S5610/1Y-BW	Yellow	590nm (GaAsP / GaP)	17 mcd	OPD-S5610/1SR-BW	Super Red	645nm (AlGaAs / GaAs,SH)	10 mcd

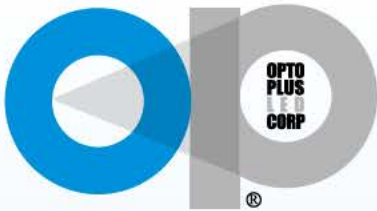
#### Package Dimension / Internal Circuit

#### 0.56" single digit display



Part Number (C.A / C.C.)	Color	Wave Length (nm) $\lambda_d @ I_f = 20\text{mA}$ (Dice Materials)	$V_f$ (V) at $I_f = 20\text{mA}$ / per dice	Part Number (C.A / C.C.)	Color	Wave Length (nm) $\lambda_d @ I_f = 20\text{mA}$ (Dice Materials)	$V_f$ (V) at $I_f = 20\text{mA}$ / per dice
OPD-S5620/1B-BW	Super Blue	460nm (InGaN / Sapphire)	60 mcd	OPD-S5620/1LY-BW	Super Bright Yellow	590nm (AlGaInP / GaAs)	120 mcd
OPD-S5620/1LB-BW	Super Bright Blue	470nm (InGaN / Sapphire)	120 mcd	OPD-S5620/1A-BW	Amber	610nm (GaAsP / GaP)	10 mcd
OPD-S5620/1PY-BW	Pure Green	525nm (InGaN / Sapphire)	250 mcd	OPD-S5620/1LA-BW	Super Bright Amber	610nm (AlGaInP / GaAs)	100 mcd
OPD-S5620/1G-BW	Yellow Green	570nm (GaP / GaP)	15 mcd	OPD-S5620/1E-BW	High Efficiency Red	620nm (GaAsP / GaP)	10 mcd
OPD-S5620/1YG-BW	Super Bright Yellow Green	570nm (AlGaInP / GaAs)	40 mcd	OPD-S5620/1LE-BW	Super Bright Red	625nm (AlGaInP / GaAs)	120 mcd
OPD-S5620/1Y-BW	Yellow	590nm (GaAsP / GaP)	17 mcd	OPD-S5620/1SR-BW	Super Red	645nm (AlGaAs / GaAs,SH)	10 mcd



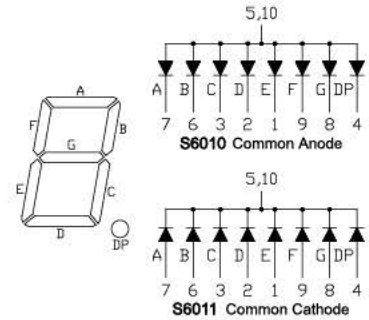
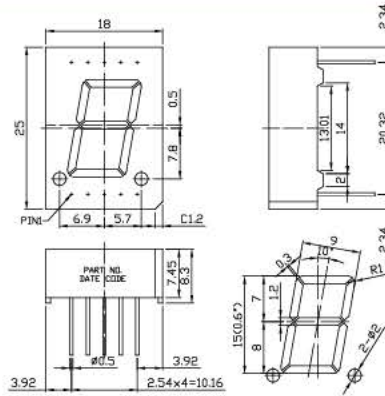
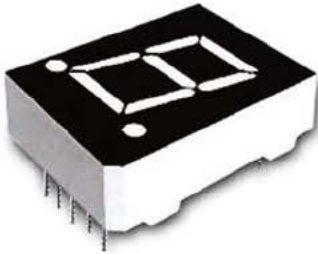


# 展躍光電科技股份有限公司 OPTO PLUS LED CORP.

## Through Hole Display

### Package Dimension / Internal Circuit

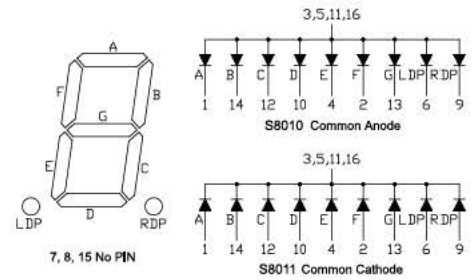
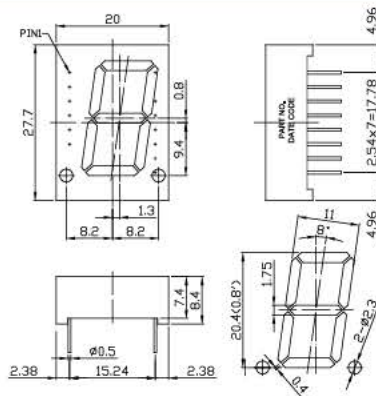
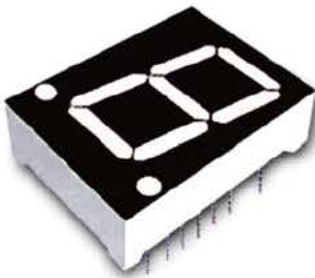
#### 0.60" single digit display



Part Number (C.A / C.C.)	Color	Wave Length (nm) $\lambda_d @ I_f = 20mA$ (Dice Materials)	$V_f$ (V) at $I_f = 20mA /$ per dice	Part Number (C.A / C.C.)	Color	Wave Length (nm) $\lambda_d @ I_f = 20mA$ (Dice Materials)	$V_f$ (V) at $I_f = 20mA /$ per dice
OPD-S6010/1B-BW	Super Blue	460nm (InGaP / Sapphire)	60 mcd	OPD-S6010/1LY-BW	Super Bright Yellow	590nm (AlGaInP / GaAs)	120 mcd
OPD-S6010/1LB-BW	Super Bright Blue	470nm (InGaP / Sapphire)	120 mcd	OPD-S6010/1A-BW	Amber	610nm (GaAsP / GaP)	10 mcd
OPD-S6010/1PY-BW	Pure Green	525nm (InGaP / Sapphire)	250 mcd	OPD-S6010/1LA-BW	Super Bright Amber	610nm (AlGaInP / GaAs)	100 mcd
OPD-S6010/1G-BW	Yellow Green	570nm (GaP / GaP)	15 mcd	OPD-S6010/1E-BW	High Efficiency Red	620nm (GaAsP / GaP)	10 mcd
OPD-S6010/1YG-BW	Super Bright Yellow Green	570nm (AlGaInP / GaAs)	40 mcd	OPD-S6010/1LE-BW	Super Bright Red	625nm (AlGaInP / GaAs)	120 mcd
OPD-S6010/1Y-BW	Yellow	590nm (GaAsP / GaP)	17 mcd	OPD-S6010/1SR-BW	Super Red	645nm (AlGaAs / GaAs,SH)	10 mcd

### Package Dimension / Internal Circuit

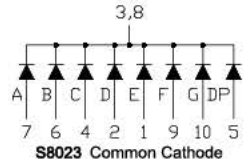
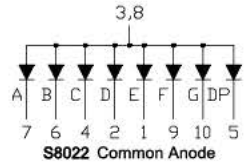
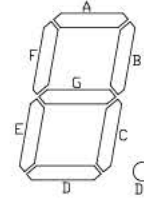
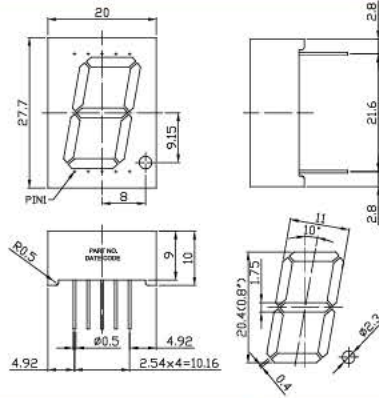
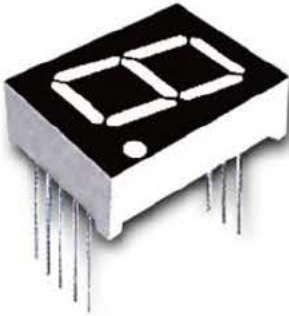
#### 0.80" single digit display



Part Number (C.A / C.C.)	Color	Wave Length (nm) $\lambda_d @ I_f = 20mA$ (Dice Materials)	$V_f$ (V) at $I_f = 20mA /$ per dice	Part Number (C.A / C.C.)	Color	Wave Length (nm) $\lambda_d @ I_f = 20mA$ (Dice Materials)	$V_f$ (V) at $I_f = 20mA /$ per dice
OPD-S8010/1B-BW	Super Blue	460nm (InGaP / Sapphire)	60 mcd	OPD-S8010/1LY-BW	Super Bright Yellow	590nm (AlGaInP / GaAs)	120 mcd
OPD-S8010/1LB-BW	Super Bright Blue	470nm (InGaP / Sapphire)	120 mcd	OPD-S8010/1A-BW	Amber	610nm (GaAsP / GaP)	10 mcd
OPD-S8010/1PY-BW	Pure Green	525nm (InGaP / Sapphire)	250 mcd	OPD-S8010/1LA-BW	Super Bright Amber	610nm (AlGaInP / GaAs)	100 mcd
OPD-S8010/1G-BW	Yellow Green	570nm (GaP / GaP)	15 mcd	OPD-S8010/1E-BW	High Efficiency Red	620nm (GaAsP / GaP)	10 mcd
OPD-S8010/1YG-BW	Super Bright Yellow Green	570nm (AlGaInP / GaAs)	40 mcd	OPD-S8010/1LE-BW	Super Bright Red	625nm (AlGaInP / GaAs)	120 mcd
OPD-S8010/1Y-BW	Yellow	590nm (GaAsP / GaP)	17 mcd	OPD-S8010/1SR-BW	Super Red	645nm (AlGaAs / GaAs,SH)	10 mcd

#### Package Dimension / Internal Circuit

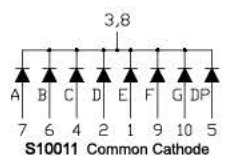
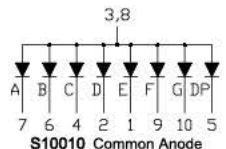
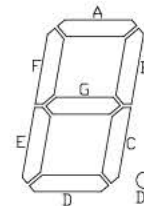
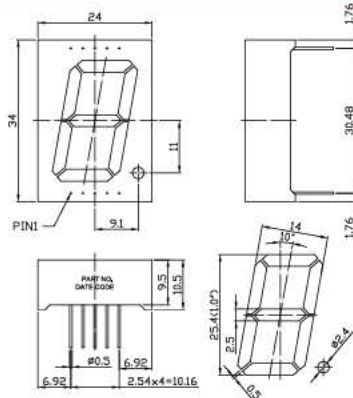
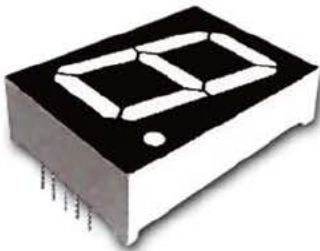
#### 0.80" single digit display



Part Number (C.A / C.C.)	Color	Wave Length (nm) $\lambda_d$ @ $I_f = 20\text{mA}$ (Dice Materials)	$V_f$ (V) at $I_f = 20\text{mA}$ / per dice	Part Number (C.A / C.C.)	Color	Wave Length (nm) $\lambda_d$ @ $I_f = 20\text{mA}$ (Dice Materials)	$V_f$ (V) at $I_f = 20\text{mA}$ / per dice
OPD-S8022/3B-BW	Super Blue	460nm (InGaN / Sapphire)	60 mcd	OPD-S8022/3LY-BW	Super Bright Yellow	590nm (AlGaInP / GaAs)	120 mcd
OPD-S8022/3LB-BW	Super Bright Blue	470nm (InGaN / Sapphire)	120 mcd	OPD-S8022/3A-BW	Amber	610nm (GaAsP / GaP)	10 mcd
OPD-S8022/3PY-BW	Pure Green	525nm (InGaN / Sapphire)	250 mcd	OPD-S8022/3LA-BW	Super Bright Amber	610nm (AlGaInP / GaAs)	100 mcd
OPD-S8022/3G-BW	Yellow Green	570nm (GaP / GaP)	15 mcd	OPD-S8022/3E-BW	High Efficiency Red	620nm (GaAsP / GaP)	10 mcd
OPD-S8022/3YG-BW	Super Bright Yellow Green	570nm (AlGaInP / GaAs)	40 mcd	OPD-S8022/3LE-BW	Super Bright Red	625nm (AlGaInP / GaAs)	120 mcd
OPD-S8022/3Y-BW	Yellow	590nm (GaAsP / GaP)	17 mcd	OPD-S8022/3SR-BW	Super Red	645nm (AlGaAs / GaAs,SH)	10 mcd

#### Package Dimension / Internal Circuit

#### 1.0" single digit display



Part Number (C.A / C.C.)	Color	Wave Length (nm) $\lambda_d$ @ $I_f = 20\text{mA}$ (Dice Materials)	$V_f$ (V) at $I_f = 20\text{mA}$ / per dice	Part Number (C.A / C.C.)	Color	Wave Length (nm) $\lambda_d$ @ $I_f = 20\text{mA}$ (Dice Materials)	$V_f$ (V) at $I_f = 20\text{mA}$ / per dice
OPD-S10010/1B-BW	Super Blue	460nm (InGaN / Sapphire)	60 mcd	OPD-S10010/1LY-BW	Super Bright Yellow	590nm (AlGaInP / GaAs)	120 mcd
OPD-S10010/1LB-BW	Super Bright Blue	470nm (InGaN / Sapphire)	120 mcd	OPD-S10010/1A-BW	Amber	610nm (GaAsP / GaP)	10 mcd
OPD-S10010/1PY-BW	Pure Green	525nm (InGaN / Sapphire)	250 mcd	OPD-S10010/1LA-BW	Super Bright Amber	610nm (AlGaInP / GaAs)	100 mcd
OPD-S10010/1G-BW	Yellow Green	570nm (GaP / GaP)	15 mcd	OPD-S10010/1E-BW	High Efficiency Red	620nm (GaAsP / GaP)	10 mcd
OPD-S10010/1YG-BW	Super Bright Yellow Green	570nm (AlGaInP / GaAs)	40 mcd	OPD-S10010/1LE-BW	Super Bright Red	625nm (AlGaInP / GaAs)	120 mcd
OPD-S10010/1Y-BW	Yellow	590nm (GaAsP / GaP)	17 mcd	OPD-S10010/1SR-BW	Super Red	645nm (AlGaAs / GaAs,SH)	10 mcd



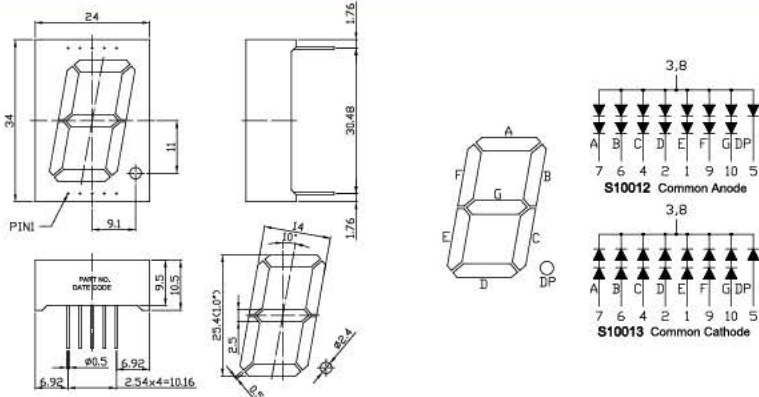
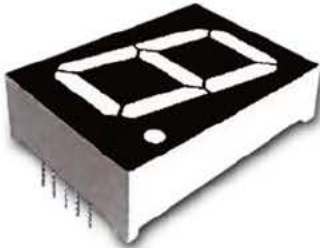


# 展躍光電科技股份有限公司 OPTO PLUS LED CORP.

## Through Hole Display

### Package Dimension / Internal Circuit

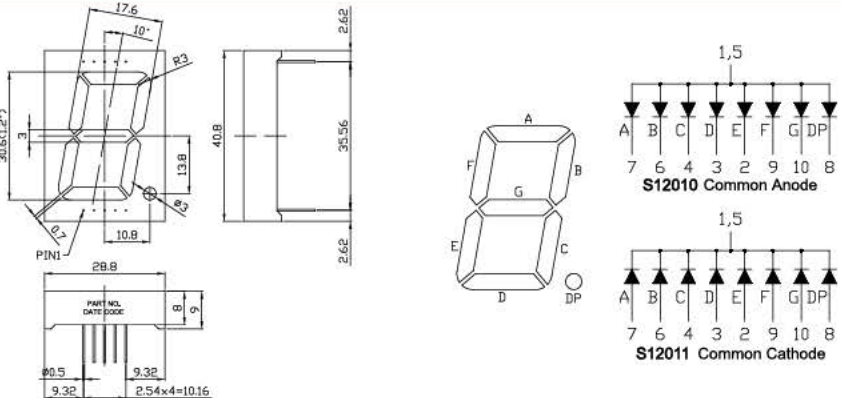
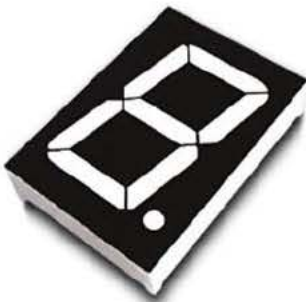
#### 1.0" single digit display



Part Number (C.A / C.C.)	Color	Wave Length (nm) $\lambda_d @ I_f = 20\text{mA}$ (Dice Materials)	$V_f$ (V) at $I_f = 20\text{mA}$ / per dice	Part Number (C.A / C.C.)	Color	Wave Length (nm) $\lambda_d @ I_f = 20\text{mA}$ (Dice Materials)	$V_f$ (V) at $I_f = 20\text{mA}$ / per dice
OPD-S10012/3B-BW	Super Blue	460nm (InGaN / Sapphire)	60 mcd	OPD-S10012/3LY-BW	Super Bright Yellow	590nm (AlGaInP / GaAs)	120 mcd
OPD-S10012/3LB-BW	Super Bright Blue	470nm (InGaN / Sapphire)	120 mcd	OPD-S10012/3A-BW	Amber	610nm (GaAsP / GaP)	10 mcd
OPD-S10012/3PY-BW	Pure Green	525nm (InGaN / Sapphire)	250 mcd	OPD-S10012/3LA-BW	Super Bright Amber	610nm (AlGaInP / GaAs)	100 mcd
OPD-S10012/3G-BW	Yellow Green	570nm (GaP / GaP)	15 mcd	OPD-S10012/3E-BW	High Efficiency Red	620nm (GaAsP / GaP)	10 mcd
OPD-S10012/3YG-BW	Super Bright Yellow Green	570nm (AlGaInP / GaAs)	40 mcd	OPD-S10012/3LE-BW	Super Bright Red	625nm (AlGaInP / GaAs)	120 mcd
OPD-S10012/3Y-BW	Yellow	590nm (GaAsP / GaP)	17 mcd	OPD-S10012/3SR-BW	Super Red	645nm (AlGaAs / GaAs,SH)	10 mcd

### Package Dimension / Internal Circuit

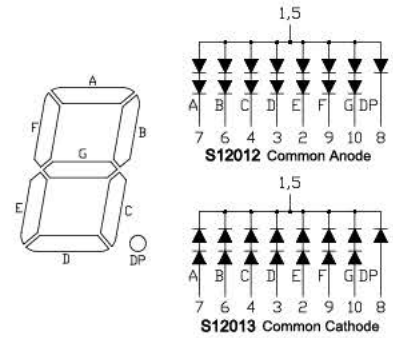
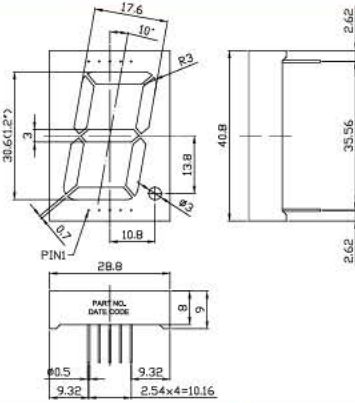
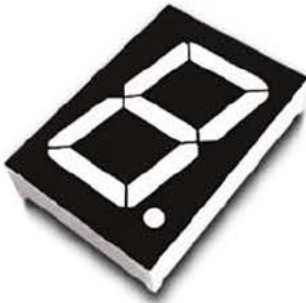
#### 1.2" single digit display



Part Number (C.A / C.C.)	Color	Wave Length (nm) $\lambda_d @ I_f = 20\text{mA}$ (Dice Materials)	$V_f$ (V) at $I_f = 20\text{mA}$ / per dice	Part Number (C.A / C.C.)	Color	Wave Length (nm) $\lambda_d @ I_f = 20\text{mA}$ (Dice Materials)	$V_f$ (V) at $I_f = 20\text{mA}$ / per dice
OPD-S12010/1B-BW	Super Blue	460nm (InGaN / Sapphire)	60 mcd	OPD-S12010/1LY-BW	Super Bright Yellow	590nm (AlGaInP / GaAs)	120 mcd
OPD-S12010/1LB-BW	Super Bright Blue	470nm (InGaN / Sapphire)	120 mcd	OPD-S12010/1A-BW	Amber	610nm (GaAsP / GaP)	10 mcd
OPD-S12010/1PY-BW	Pure Green	525nm (InGaN / Sapphire)	250 mcd	OPD-S12010/1LA-BW	Super Bright Amber	610nm (AlGaInP / GaAs)	100 mcd
OPD-S12010/1G-BW	Yellow Green	570nm (GaP / GaP)	15 mcd	OPD-S12010/1E-BW	High Efficiency Red	620nm (GaAsP / GaP)	10 mcd
OPD-S12010/1YG-BW	Super Bright Yellow Green	570nm (AlGaInP / GaAs)	40 mcd	OPD-S12010/1LE-BW	Super Bright Red	625nm (AlGaInP / GaAs)	120 mcd
OPD-S12010/1Y-BW	Yellow	590nm (GaAsP / GaP)	17 mcd	OPD-S12010/1SR-BW	Super Red	645nm (AlGaAs / GaAs,SH)	10 mcd

#### Package Dimension / Internal Circuit

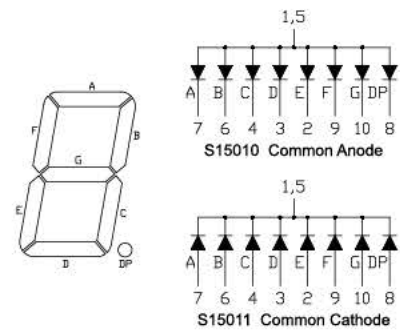
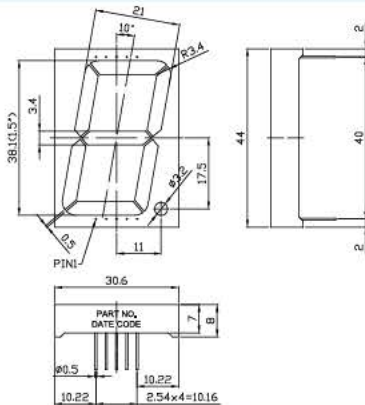
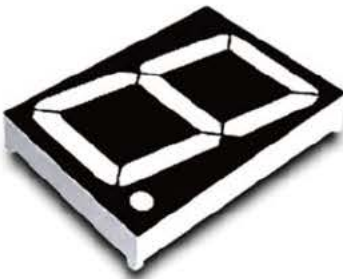
#### 1.2" single digit display



Part Number (C.A / C.C.)	Color	Wave Length (nm) $\lambda_d @ I_f = 20\text{mA}$ (Dice Materials)	$V_f$ (V) at $I_f = 20\text{mA}$ / per dice	Part Number (C.A / C.C.)	Color	Wave Length (nm) $\lambda_d @ I_f = 20\text{mA}$ (Dice Materials)	$V_f$ (V) at $I_f = 20\text{mA}$ / per dice
OPD-S12012/3B-BW	Super Blue	460nm (InGaN / Sapphire)	60 mcd	OPD-S12012/3LY-BW	Super Bright Yellow	590nm (AlGaInP / GaAs)	120 mcd
OPD-S12012/3LB-BW	Super Bright Blue	470nm (InGaN / Sapphire)	120 mcd	OPD-S12012/3A-BW	Amber	610nm (GaAsP / GaP)	10 mcd
OPD-S12012/3PY-BW	Pure Green	525nm (InGaN / Sapphire)	250 mcd	OPD-S12012/3LA-BW	Super Bright Amber	610nm (AlGaInP / GaAs)	100 mcd
OPD-S12012/3G-BW	Yellow Green	570nm (GaP / GaP)	15 mcd	OPD-S12012/3E-BW	High Efficiency Red	620nm (GaAsP / GaP)	10 mcd
OPD-S12012/3YG-BW	Super Bright Yellow Green	570nm (AlGaInP / GaAs)	40 mcd	OPD-S12012/3LE-BW	Super Bright Red	625nm (AlGaInP / GaAs)	120 mcd
OPD-S12012/3Y-BW	Yellow	590nm (GaAsP / GaP)	17 mcd	OPD-S12012/3SR-BW	Super Red	645nm (AlGaAs / GaAs,SH)	10 mcd

#### Package Dimension / Internal Circuit

#### 1.5" single digit display

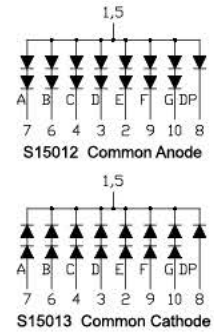
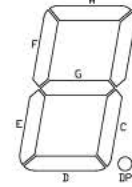
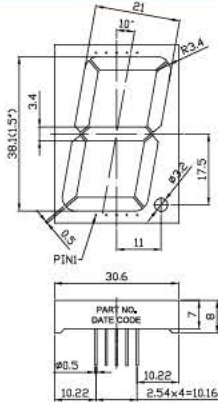
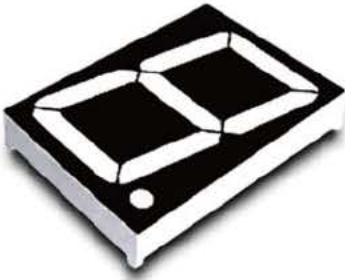


Part Number (C.A / C.C.)	Color	Wave Length (nm) $\lambda_d @ I_f = 20\text{mA}$ (Dice Materials)	$V_f$ (V) at $I_f = 20\text{mA}$ / per dice	Part Number (C.A / C.C.)	Color	Wave Length (nm) $\lambda_d @ I_f = 20\text{mA}$ (Dice Materials)	$V_f$ (V) at $I_f = 20\text{mA}$ / per dice
OPD-S15010/1B-BW	Super Blue	460nm (InGaN / Sapphire)	60 mcd	OPD-S15010/1LY-BW	Super Bright Yellow	590nm (AlGaInP / GaAs)	120 mcd
OPD-S15010/1LB-BW	Super Bright Blue	470nm (InGaN / Sapphire)	120 mcd	OPD-S15010/1A-BW	Amber	610nm (GaAsP / GaP)	10 mcd
OPD-S15010/1PY-BW	Pure Green	525nm (InGaN / Sapphire)	250 mcd	OPD-S15010/1LA-BW	Super Bright Amber	610nm (AlGaInP / GaAs)	100 mcd
OPD-S15010/1G-BW	Yellow Green	570nm (GaP / GaP)	15 mcd	OPD-S15010/1E-BW	High Efficiency Red	620nm (GaAsP / GaP)	10 mcd
OPD-S15010/1YG-BW	Super Bright Yellow Green	570nm (AlGaInP / GaAs)	40 mcd	OPD-S15010/1LE-BW	Super Bright Red	625nm (AlGaInP / GaAs)	120 mcd
OPD-S15010/1Y-BW	Yellow	590nm (GaAsP / GaP)	17 mcd	OPD-S15010/1SR-BW	Super Red	645nm (AlGaAs / GaAs,SH)	10 mcd



#### Package Dimension / Internal Circuit

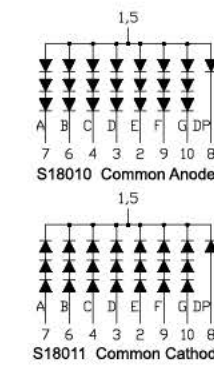
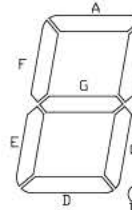
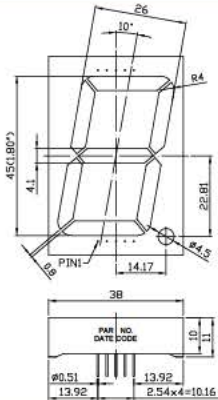
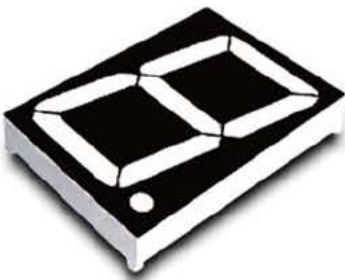
#### 1.5" single digit display



Part Number (C.A / C.C.)	Color	Wave Length (nm) $\lambda_d @ I_f = 20\text{mA}$ (Dice Materials)	$V_f$ (V) at $I_f = 20\text{mA}$ / per dice	Part Number (C.A / C.C.)	Color	Wave Length (nm) $\lambda_d @ I_f = 20\text{mA}$ (Dice Materials)	$V_f$ (V) at $I_f = 20\text{mA}$ / per dice
OPD-S15012/3B-BW	Super Blue	460nm (InGaN / Sapphire)	60 mcd	OPD-S15012/3LY-BW	Super Bright Yellow	590nm (AlGaInP / GaAs)	120 mcd
OPD-S15012/3LB-BW	Super Bright Blue	470nm (InGaN / Sapphire)	120 mcd	OPD-S15012/3A-BW	Amber	610nm (GaAsP / GaP)	10 mcd
OPD-S15012/3PY-BW	Pure Green	525nm (InGaN / Sapphire)	250 mcd	OPD-S15012/3LA-BW	Super Bright Amber	610nm (AlGaInP / GaAs)	100 mcd
OPD-S15012/3G-BW	Yellow Green	570nm (GaP / GaP)	15 mcd	OPD-S15012/3E-BW	High Efficiency Red	620nm (GaAsP / GaP)	10 mcd
OPD-S15012/3YG-BW	Super Bright Yellow Green	570nm (AlGaInP / GaAs)	40 mcd	OPD-S15012/3LE-BW	Super Bright Red	625nm (AlGaInP / GaAs)	120 mcd
OPD-S15012/3Y-BW	Yellow	590nm (GaAsP / GaP)	17 mcd	OPD-S15012/3SR-BW	Super Red	645nm (AlGaAs / GaAs,SH)	10 mcd

#### Package Dimension / Internal Circuit

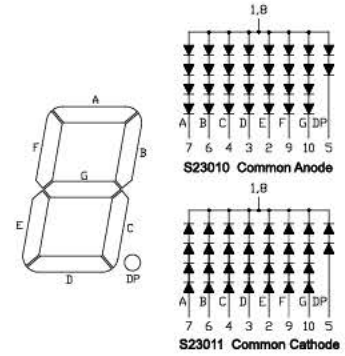
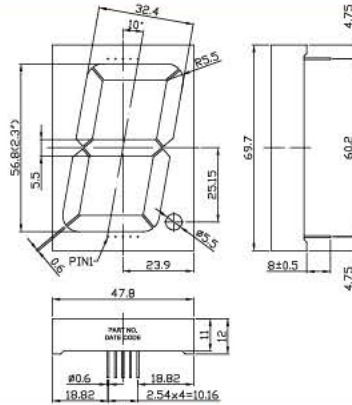
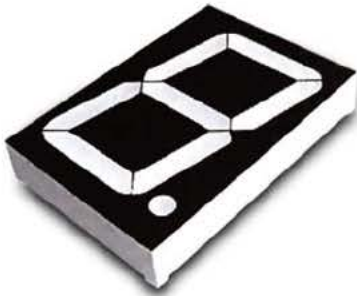
#### 1.8" single digit display



Part Number (C.A / C.C.)	Color	Wave Length (nm) $\lambda_d @ I_f = 20\text{mA}$ (Dice Materials)	$V_f$ (V) at $I_f = 20\text{mA}$ / per dice	Part Number (C.A / C.C.)	Color	Wave Length (nm) $\lambda_d @ I_f = 20\text{mA}$ (Dice Materials)	$V_f$ (V) at $I_f = 20\text{mA}$ / per dice
OPD-S18010/1B-BW	Super Blue	460nm (InGaN / Sapphire)	60 mcd	OPD-S18010/1LY-BW	Super Bright Yellow	590nm (AlGaInP / GaAs)	120 mcd
OPD-S18010/1LB-BW	Super Bright Blue	470nm (InGaN / Sapphire)	120 mcd	OPD-S18010/1A-BW	Amber	610nm (GaAsP / GaP)	10 mcd
OPD-S18010/1PY-BW	Pure Green	525nm (InGaN / Sapphire)	250 mcd	OPD-S18010/1LA-BW	Super Bright Amber	610nm (AlGaInP / GaAs)	100 mcd
OPD-S18010/1G-BW	Yellow Green	570nm (GaP / GaP)	15 mcd	OPD-S18010/1E-BW	High Efficiency Red	620nm (GaAsP / GaP)	10 mcd
OPD-S18010/1YG-BW	Super Bright Yellow Green	570nm (AlGaInP / GaAs)	40 mcd	OPD-S18010/1LE-BW	Super Bright Red	625nm (AlGaInP / GaAs)	120 mcd
OPD-S18010/1Y-BW	Yellow	590nm (GaAsP / GaP)	17 mcd	OPD-S18010/1SR-BW	Super Red	645nm (AlGaAs / GaAs,SH)	10 mcd

#### Package Dimension / Internal Circuit

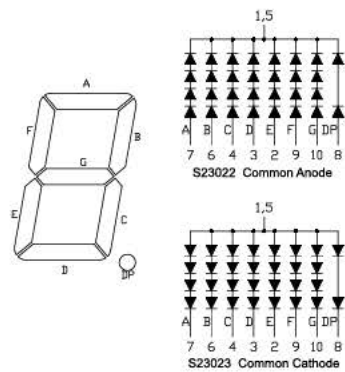
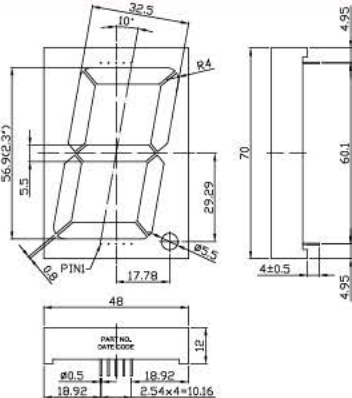
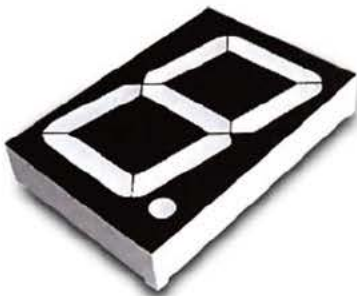
#### 2.3" single digit display



Part Number (C.A / C.C.)	Color	Wave Length (nm) $\lambda_d @ I_f = 20\text{mA}$ (Dice Materials)	$V_f$ (V) at $I_f = 20\text{mA}$ / per dice	Part Number (C.A / C.C.)	Color	Wave Length (nm) $\lambda_d @ I_f = 20\text{mA}$ (Dice Materials)	$V_f$ (V) at $I_f = 20\text{mA}$ / per dice
OPD-S23010/1B-BW	Super Blue	460nm (InGaN / Sapphire)	60 mcd	OPD-S23010/1LY-BW	Super Bright Yellow	590nm (AlGaInP / GaAs)	120 mcd
OPD-S23010/1LB-BW	Super Bright Blue	470nm (InGaN / Sapphire)	120 mcd	OPD-S23010/1A-BW	Amber	610nm (GaAsP / GaP)	10 mcd
OPD-S23010/1PY-BW	Pure Green	525nm (InGaN / Sapphire)	250 mcd	OPD-S23010/1LA-BW	Super Bright Amber	610nm (AlGaInP / GaAs)	100 mcd
OPD-S23010/1G-BW	Yellow Green	570nm (GaP / GaP)	15 mcd	OPD-S23010/1E-BW	High Efficiency Red	620nm (GaAsP / GaP)	10 mcd
OPD-S23010/1YG-BW	Super Bright Yellow Green	570nm (AlGaInP / GaAs)	40 mcd	OPD-S23010/1LE-BW	Super Bright Red	625nm (AlGaInP / GaAs)	120 mcd
OPD-S23010/1Y-BW	Yellow	590nm (GaAsP / GaP)	17 mcd	OPD-S23010/1SR-BW	Super Red	645nm (AlGaAs / GaAs,SH)	10 mcd

#### Package Dimension / Internal Circuit

#### 2.3" single digit display

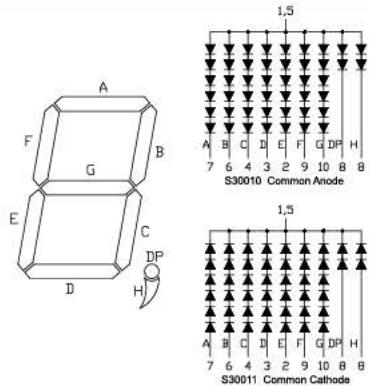
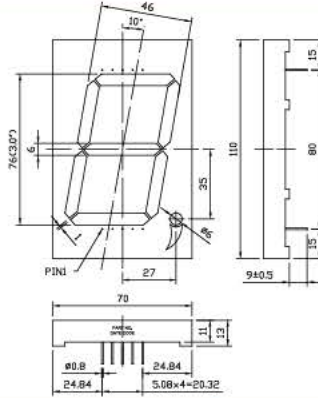
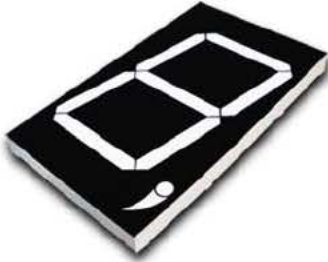


Part Number (C.A / C.C.)	Color	Wave Length (nm) $\lambda_d @ I_f = 20\text{mA}$ (Dice Materials)	$V_f$ (V) at $I_f = 20\text{mA}$ / per dice	Part Number (C.A / C.C.)	Color	Wave Length (nm) $\lambda_d @ I_f = 20\text{mA}$ (Dice Materials)	$V_f$ (V) at $I_f = 20\text{mA}$ / per dice
OPD-S23022/3B-BW	Super Blue	460nm (InGaN / Sapphire)	60 mcd	OPD-S23022/3LY-BW	Super Bright Yellow	590nm (AlGaInP / GaAs)	120 mcd
OPD-S23022/3LB-BW	Super Bright Blue	470nm (InGaN / Sapphire)	120 mcd	OPD-S23022/3A-BW	Amber	610nm (GaAsP / GaP)	10 mcd
OPD-S23022/3PY-BW	Pure Green	525nm (InGaN / Sapphire)	250 mcd	OPD-S23022/3LA-BW	Super Bright Amber	610nm (AlGaInP / GaAs)	100 mcd
OPD-S23022/3G-BW	Yellow Green	570nm (GaP / GaP)	15 mcd	OPD-S23022/3E-BW	High Efficiency Red	620nm (GaAsP / GaP)	10 mcd
OPD-S23022/3YG-BW	Super Bright Yellow Green	570nm (AlGaInP / GaAs)	40 mcd	OPD-S23022/3LE-BW	Super Bright Red	625nm (AlGaInP / GaAs)	120 mcd
OPD-S23022/3Y-BW	Yellow	590nm (GaAsP / GaP)	17 mcd	OPD-S23022/3SR-BW	Super Red	645nm (AlGaAs / GaAs,SH)	10 mcd



#### Package Dimension / Internal Circuit

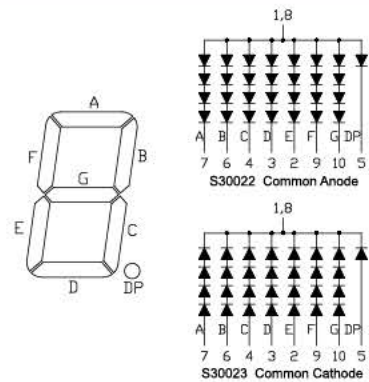
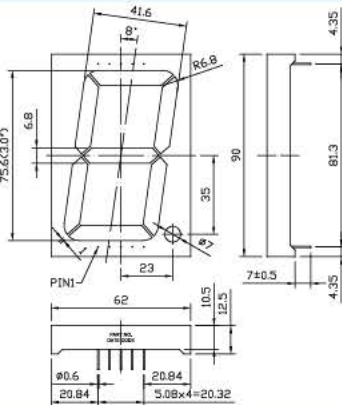
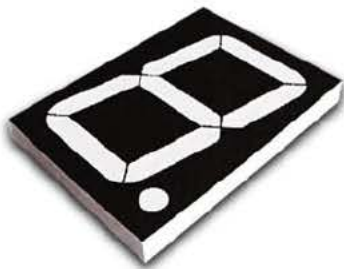
3.0" single digit display



Part Number (C.A / C.C.)	Color	Wave Length (nm) $\lambda_d @ I_f = 20\text{mA}$ (Dice Materials)	$V_f$ (V) at $I_f = 20\text{mA}$ / per dice	Part Number (C.A / C.C.)	Color	Wave Length (nm) $\lambda_d @ I_f = 20\text{mA}$ (Dice Materials)	$V_f$ (V) at $I_f = 20\text{mA}$ / per dice
OPD-S30010/1B-BW	Super Blue	460nm (InGaN / Sapphire)	60 mcd	OPD-S30010/1LY-BW	Super Bright Yellow	590nm (AlGaInP / GaAs)	120 mcd
OPD-S30010/1LB-BW	Super Bright Blue	470nm (InGaN / Sapphire)	120 mcd	OPD-S30010/1A-BW	Amber	610nm (GaAsP / GaP)	10 mcd
OPD-S30010/1PY-BW	Pure Green	525nm (InGaN / Sapphire)	250 mcd	OPD-S30010/1LA-BW	Super Bright Amber	610nm (AlGaInP / GaAs)	100 mcd
OPD-S30010/1G-BW	Yellow Green	570nm (GaP / GaP)	15 mcd	OPD-S30010/1E-BW	High Efficiency Red	620nm (GaAsP / GaP)	10 mcd
OPD-S30010/1YG-BW	Super Bright Yellow Green	570nm (AlGaInP / GaAs)	40 mcd	OPD-S30010/1LE-BW	Super Bright Red	625nm (AlGaInP / GaAs)	120 mcd
OPD-S30010/1Y-BW	Yellow	590nm (GaAsP / GaP)	17 mcd	OPD-S30010/1SR-BW	Super Red	645nm (AlGaAs / GaAs,SH)	10 mcd

#### Package Dimension / Internal Circuit

3.0" single digit display



Part Number (C.A / C.C.)	Color	Wave Length (nm) $\lambda_d @ I_f = 20\text{mA}$ (Dice Materials)	$V_f$ (V) at $I_f = 20\text{mA}$ / per dice	Part Number (C.A / C.C.)	Color	Wave Length (nm) $\lambda_d @ I_f = 20\text{mA}$ (Dice Materials)	$V_f$ (V) at $I_f = 20\text{mA}$ / per dice
OPD-S30022/3B-BW	Super Blue	460nm (InGaN / Sapphire)	60 mcd	OPD-S30022/3LY-BW	Super Bright Yellow	590nm (AlGaInP / GaAs)	120 mcd
OPD-S30022/3LB-BW	Super Bright Blue	470nm (InGaN / Sapphire)	120 mcd	OPD-S30022/3A-BW	Amber	610nm (GaAsP / GaP)	10 mcd
OPD-S30022/3PY-BW	Pure Green	525nm (InGaN / Sapphire)	250 mcd	OPD-S30022/3LA-BW	Super Bright Amber	610nm (AlGaInP / GaAs)	100 mcd
OPD-S30022/3G-BW	Yellow Green	570nm (GaP / GaP)	15 mcd	OPD-S30022/3E-BW	High Efficiency Red	620nm (GaAsP / GaP)	10 mcd
OPD-S30022/3YG-BW	Super Bright Yellow Green	570nm (AlGaInP / GaAs)	40 mcd	OPD-S30022/3LE-BW	Super Bright Red	625nm (AlGaInP / GaAs)	120 mcd
OPD-S30022/3Y-BW	Yellow	590nm (GaAsP / GaP)	17 mcd	OPD-S30022/3SR-BW	Super Red	645nm (AlGaAs / GaAs,SH)	10 mcd

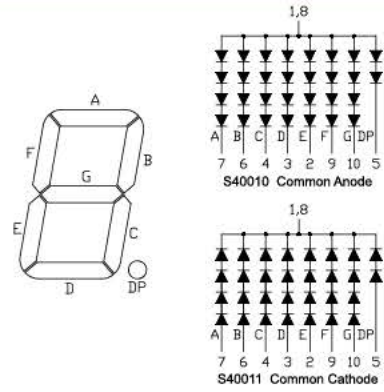
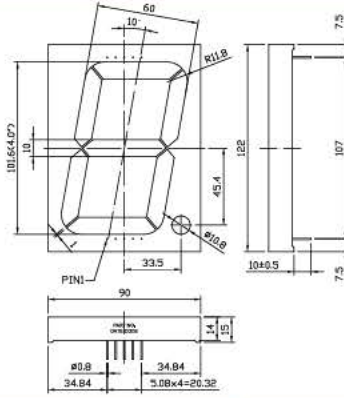
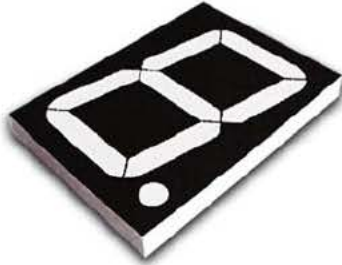


# 展躍光電科技股份有限公司 OPTO PLUS LED CORP.

## Through Hole Display

### Package Dimension / Internal Circuit

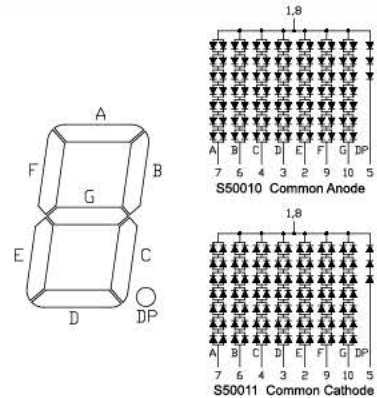
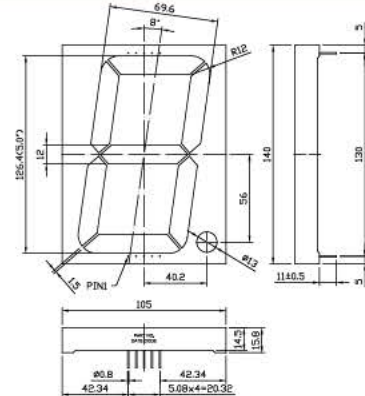
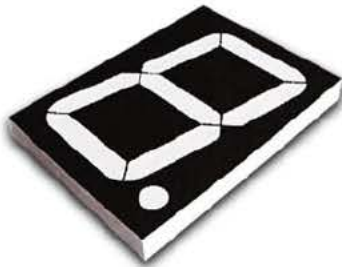
#### 4.0" single digit display



Part Number (C.A / C.C.)	Color	Wave Length (nm) $\lambda_d$ @ $I_f = 20\text{mA}$ (Dice Materials)	$V_f$ (V) at $I_f = 20\text{mA}$ / per dice	Part Number (C.A / C.C.)	Color	Wave Length (nm) $\lambda_d$ @ $I_f = 20\text{mA}$ (Dice Materials)	$V_f$ (V) at $I_f = 20\text{mA}$ / per dice
OPD-S40010/1B-BW	Super Blue	460nm (InGaN / Sapphire)	60 mcd	OPD-S40010/1LY-BW	Super Bright Yellow	590nm (AlGaInP / GaAs)	120 mcd
OPD-S40010/1LB-BW	Super Bright Blue	470nm (InGaN / Sapphire)	120 mcd	OPD-S40010/1A-BW	Amber	610nm (GaAsP / GaP)	10 mcd
OPD-S40010/1PY-BW	Pure Green	525nm (InGaN / Sapphire)	250 mcd	OPD-S40010/1LA-BW	Super Bright Amber	610nm (AlGaInP / GaAs)	100 mcd
OPD-S40010/1G-BW	Yellow Green	570nm (GaP / GaP)	15 mcd	OPD-S40010/1E-BW	High Efficiency Red	620nm (GaAsP / GaP)	10 mcd
OPD-S40010/1YG-BW	Super Bright Yellow Green	570nm (AlGaInP / GaAs)	40 mcd	OPD-S40010/1LE-BW	Super Bright Red	625nm (AlGaInP / GaAs)	120 mcd
OPD-S40010/1Y-BW	Yellow	590nm (GaAsP / GaP)	17 mcd	OPD-S40010/1SR-BW	Super Red	645nm (AlGaAs / GaAs,SH)	10 mcd

### Package Dimension / Internal Circuit

#### 5.0" single digit display

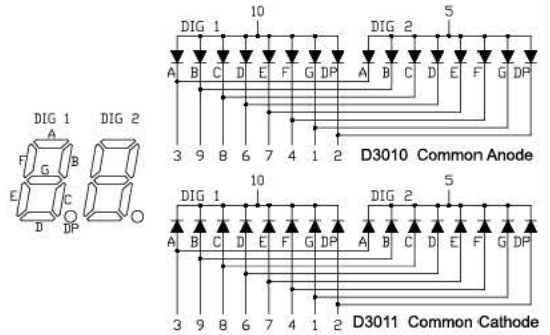
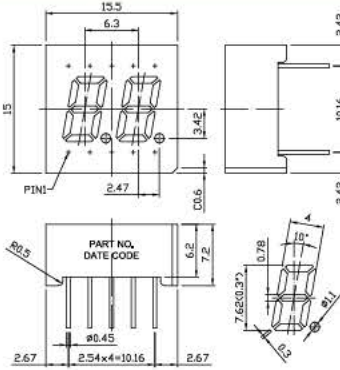
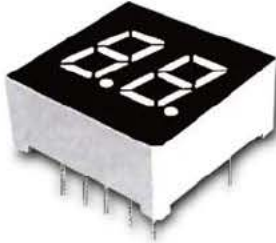


Part Number (C.A / C.C.)	Color	Wave Length (nm) $\lambda_d$ @ $I_f = 20\text{mA}$ (Dice Materials)	$V_f$ (V) at $I_f = 20\text{mA}$ / per dice	Part Number (C.A / C.C.)	Color	Wave Length (nm) $\lambda_d$ @ $I_f = 20\text{mA}$ (Dice Materials)	$V_f$ (V) at $I_f = 20\text{mA}$ / per dice
OPD-S50010/1B-BW	Super Blue	460nm (InGaN / Sapphire)	60 mcd	OPD-S50010/1LY-BW	Super Bright Yellow	590nm (AlGaInP / GaAs)	120 mcd
OPD-S50010/1LB-BW	Super Bright Blue	470nm (InGaN / Sapphire)	120 mcd	OPD-S50010/1A-BW	Amber	610nm (GaAsP / GaP)	10 mcd
OPD-S50010/1PY-BW	Pure Green	525nm (InGaN / Sapphire)	250 mcd	OPD-S50010/1LA-BW	Super Bright Amber	610nm (AlGaInP / GaAs)	100 mcd
OPD-S50010/1G-BW	Yellow Green	570nm (GaP / GaP)	15 mcd	OPD-S50010/1E-BW	High Efficiency Red	620nm (GaAsP / GaP)	10 mcd
OPD-S50010/1YG-BW	Super Bright Yellow Green	570nm (AlGaInP / GaAs)	40 mcd	OPD-S50010/1LE-BW	Super Bright Red	625nm (AlGaInP / GaAs)	120 mcd
OPD-S50010/1Y-BW	Yellow	590nm (GaAsP / GaP)	17 mcd	OPD-S50010/1SR-BW	Super Red	645nm (AlGaAs / GaAs,SH)	10 mcd



#### Package Dimension / Internal Circuit

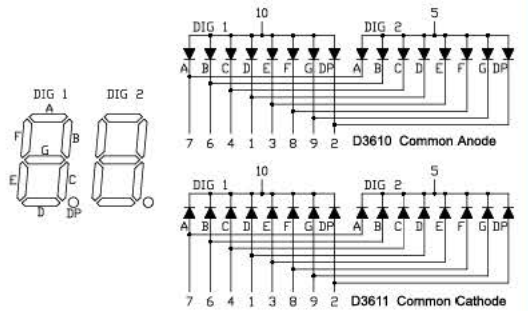
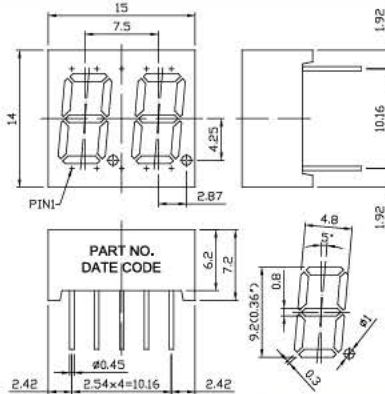
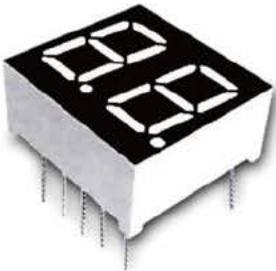
#### 0.30" two digit display



Part Number (C.A / C.C.)	Color	Wave Length (nm) $\lambda_d @ I_f = 20\text{mA}$ (Dice Materials)	$V_f$ (V) at $I_f = 20\text{mA}$ / per dice	Part Number (C.A / C.C.)	Color	Wave Length (nm) $\lambda_d @ I_f = 20\text{mA}$ (Dice Materials)	$V_f$ (V) at $I_f = 20\text{mA}$ / per dice
<del>OPD-D3010/1G-BW</del>	Super Blue	460nm (InGaN / Sapphire)	60 mcd	OPD-D3010/1LY-BW	Super Bright Yellow	590nm (AlGaInP / GaAs)	120 mcd
<del>OPD-D3010/1A-BW</del>	Super Bright Blue	470nm (InGaN / Sapphire)	120 mcd	OPD-D3010/1A-BW	Amber	610nm (GaAsP / GaP)	10 mcd
<del>OPD-D3010/1G-BW</del>	Pure Green	525nm (InGaN / Sapphire)	250 mcd	OPD-D3010/1LA-BW	Super Bright Amber	610nm (AlGaInP / GaAs)	100 mcd
OPD-D3010/1G-BW	Yellow Green	570nm (GaP / GaP)	15 mcd	OPD-D3010/1E-BW	High Efficiency Red	620nm (GaAsP / GaP)	10 mcd
OPD-D3010/1YG-BW	Super Bright Yellow Green	570nm (AlGaInP / GaAs)	40 mcd	OPD-D3010/1LE-BW	Super Bright Red	625nm (AlGaInP / GaAs)	120 mcd
OPD-D3010/1Y-BW	Yellow	590nm (GaAsP / GaP)	17 mcd	OPD-D3010/1SR-BW	Super Red	645nm (AlGaAs / GaAs,SH)	10 mcd

#### Package Dimension / Internal Circuit

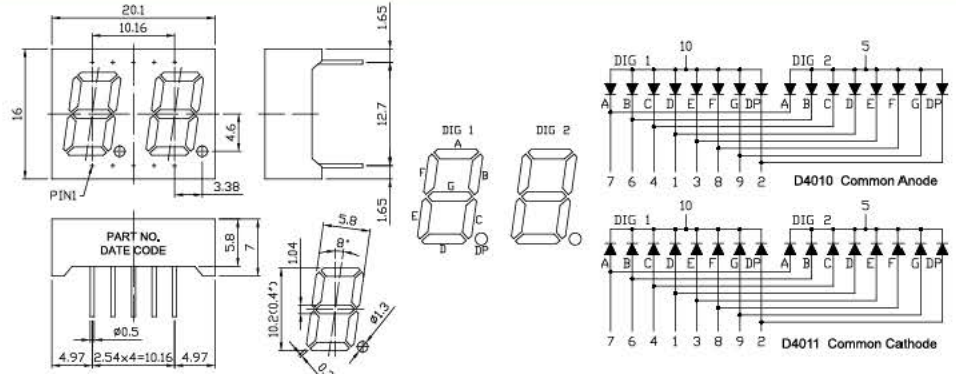
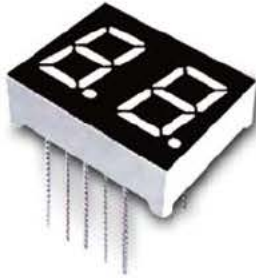
#### 0.36" two digit display



Part Number (C.A / C.C.)	Color	Wave Length (nm) $\lambda_d @ I_f = 20\text{mA}$ (Dice Materials)	$V_f$ (V) at $I_f = 20\text{mA}$ / per dice	Part Number (C.A / C.C.)	Color	Wave Length (nm) $\lambda_d @ I_f = 20\text{mA}$ (Dice Materials)	$V_f$ (V) at $I_f = 20\text{mA}$ / per dice
<del>OPD-D3610/1G-BW</del>	Super Blue	460nm (InGaN / Sapphire)	60 mcd	OPD-D3610/1LY-BW	Super Bright Yellow	590nm (AlGaInP / GaAs)	120 mcd
<del>OPD-D3610/1A-BW</del>	Super Bright Blue	470nm (InGaN / Sapphire)	120 mcd	OPD-D3610/1A-BW	Amber	610nm (GaAsP / GaP)	10 mcd
<del>OPD-D3610/1G-BW</del>	Pure Green	525nm (InGaN / Sapphire)	250 mcd	OPD-D3610/1LA-BW	Super Bright Amber	610nm (AlGaInP / GaAs)	100 mcd
OPD-D3610/1G-BW	Yellow Green	570nm (GaP / GaP)	15 mcd	OPD-D3610/1E-BW	High Efficiency Red	620nm (GaAsP / GaP)	10 mcd
OPD-D3610/1YG-BW	Super Bright Yellow Green	570nm (AlGaInP / GaAs)	40 mcd	OPD-D3610/1LE-BW	Super Bright Red	625nm (AlGaInP / GaAs)	120 mcd
OPD-D3610/1Y-BW	Yellow	590nm (GaAsP / GaP)	17 mcd	OPD-D3610/1SR-BW	Super Red	645nm (AlGaAs / GaAs,SH)	10 mcd

#### Package Dimension / Internal Circuit

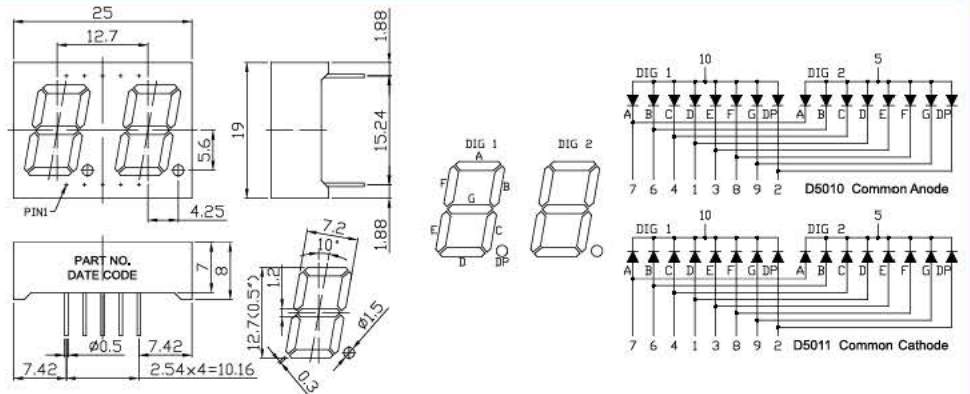
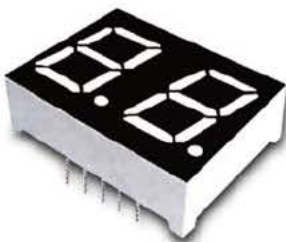
#### 0.40" two digit display



Part Number (C.A / C.C.)	Color	Wave Length (nm) $\lambda_d @ I_f = 20\text{mA}$ (Dice Materials)	$V_f$ (V) at $I_f = 20\text{mA}$ / per dice	Part Number (C.A / C.C.)	Color	Wave Length (nm) $\lambda_d @ I_f = 20\text{mA}$ (Dice Materials)	$V_f$ (V) at $I_f = 20\text{mA}$ / per dice
OPD-D4010/1B-BW	Super Blue	460nm (InGaN / Sapphire)	60 mcd	OPD-D4010/1LY-BW	Super Bright Yellow	590nm (AlGaInP / GaAs)	120 mcd
OPD-D4010/1LB-BW	Super Bright Blue	470nm (InGaN / Sapphire)	120 mcd	OPD-D4010/1A-BW	Amber	610nm (GaAsP / GaP)	10 mcd
OPD-D4010/1PY-BW	Pure Green	525nm (InGaN / Sapphire)	250 mcd	OPD-D4010/1LA-BW	Super Bright Amber	610nm (AlGaInP / GaAs)	100 mcd
OPD-D4010/1G-BW	Yellow Green	570nm (GaP / GaP)	15 mcd	OPD-D4010/1E-BW	High Efficiency Red	620nm (GaAsP / GaP)	10 mcd
OPD-D3010/1YG-BW	Super Bright Yellow Green	570nm (AlGaInP / GaAs)	40 mcd	OPD-D4010/1LE-BW	Super Bright Red	625nm (AlGaInP / GaAs)	120 mcd
OPD-D4010/1Y-BW	Yellow	590nm (GaAsP / GaP)	17 mcd	OPD-D4010/1SR-BW	Super Red	645nm (AlGaAs / GaAs,SH)	10 mcd

#### Package Dimension / Internal Circuit

#### 0.50" two digit display



Part Number (C.A / C.C.)	Color	Wave Length (nm) $\lambda_d @ I_f = 20\text{mA}$ (Dice Materials)	$V_f$ (V) at $I_f = 20\text{mA}$ / per dice	Part Number (C.A / C.C.)	Color	Wave Length (nm) $\lambda_d @ I_f = 20\text{mA}$ (Dice Materials)	$V_f$ (V) at $I_f = 20\text{mA}$ / per dice
OPD-D5010/1B-BW	Super Blue	460nm (InGaN / Sapphire)	60 mcd	OPD-D5010/1LY-BW	Super Bright Yellow	590nm (AlGaInP / GaAs)	120 mcd
OPD-D5010/1LB-BW	Super Bright Blue	470nm (InGaN / Sapphire)	120 mcd	OPD-D5010/1A-BW	Amber	610nm (GaAsP / GaP)	10 mcd
OPD-D5010/1PY-BW	Pure Green	525nm (InGaN / Sapphire)	250 mcd	OPD-D5010/1LA-BW	Super Bright Amber	610nm (AlGaInP / GaAs)	100 mcd
OPD-D5010/1G-BW	Yellow Green	570nm (GaP / GaP)	15 mcd	OPD-D5010/1E-BW	High Efficiency Red	620nm (GaAsP / GaP)	10 mcd
OPD-D5010/1YG-BW	Super Bright Yellow Green	570nm (AlGaInP / GaAs)	40 mcd	OPD-D5010/1LE-BW	Super Bright Red	625nm (AlGaInP / GaAs)	120 mcd
OPD-D5010/1Y-BW	Yellow	590nm (GaAsP / GaP)	17 mcd	OPD-D5010/1SR-BW	Super Red	645nm (AlGaAs / GaAs,SH)	10 mcd



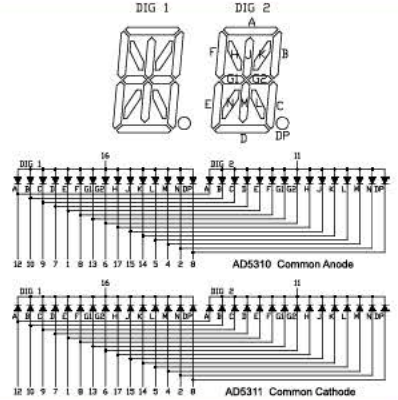
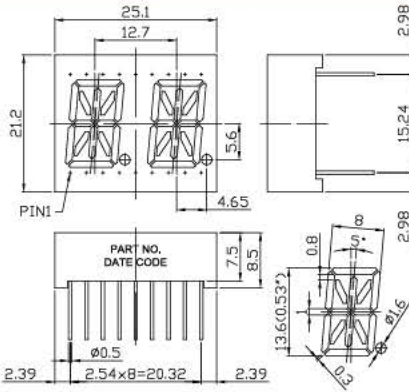
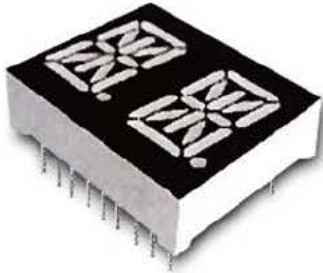


# 展躍光電科技股份有限公司 OPTO PLUS LED CORP.

Through Hole Display

## Package Dimension / Internal Circuit

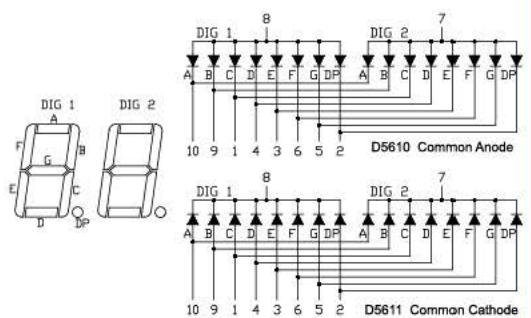
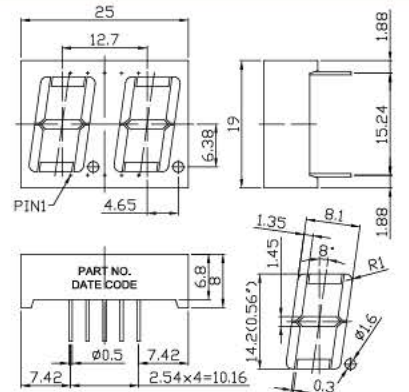
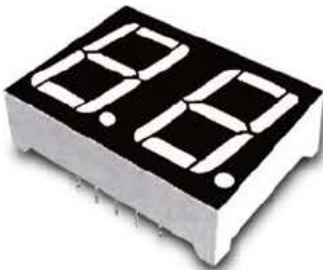
0.53" two digit display



Part Number (C.A / C.C.)	Color	Wave Length (nm) $\lambda_d @ I_f = 20mA$ (Dice Materials)	$V_f$ (V) at $I_f = 20mA /$ per dice	Part Number (C.A / C.C.)	Color	Wave Length (nm) $\lambda_d @ I_f = 20mA$ (Dice Materials)	$V_f$ (V) at $I_f = 20mA /$ per dice
OPD-AD5310/1B-BW	Super Blue	460nm (InGaN / Sapphire)	60 mcd	OPD-AD5310/1LY-BW	Super Bright Yellow	590nm (AlGaInP / GaAs)	120 mcd
OPD-AD5310/1LB-BW	Super Bright Blue	470nm (InGaN / Sapphire)	120 mcd	OPD-AD5310/1A-BW	Amber	610nm (GaAsP / GaP)	10 mcd
OPD-AD5310/1PY-BW	Pure Green	525nm (InGaN / Sapphire)	250 mcd	OPD-AD5310/1LA-BW	Super Bright Amber	610nm (AlGaInP / GaAs)	100 mcd
OPD-AD5310/1G-BW	Yellow Green	570nm (GaP / GaP)	15 mcd	OPD-AD5310/1E-BW	High Efficiency Red	620nm (GaAsP / GaP)	10 mcd
OPD-AD5310/1YG-BW	Super Bright Yellow Green	570nm (AlGaInP / GaAs)	40 mcd	OPD-AD5310/1LE-BW	Super Bright Red	625nm (AlGaInP / GaAs)	120 mcd
OPD-AD5310/1Y-BW	Yellow	590nm (GaAsP / GaP)	17 mcd	OPD-AD5310/1SR-BW	Super Red	645nm (AlGaAs / GaAs,SH)	10 mcd

## Package Dimension / Internal Circuit

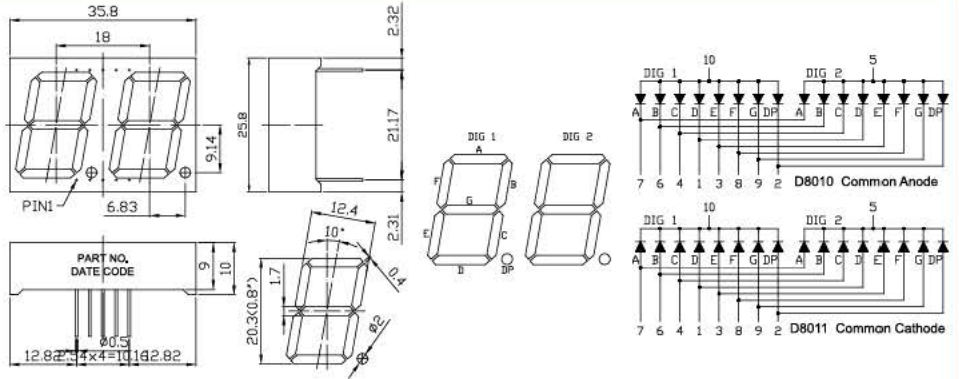
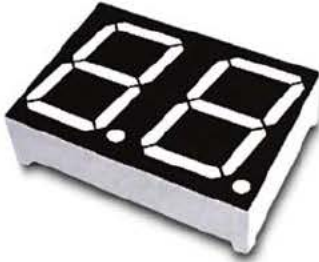
0.56" two digit display



Part Number (C.A / C.C.)	Color	Wave Length (nm) $\lambda_d @ I_f = 20mA$ (Dice Materials)	$V_f$ (V) at $I_f = 20mA /$ per dice	Part Number (C.A / C.C.)	Color	Wave Length (nm) $\lambda_d @ I_f = 20mA$ (Dice Materials)	$V_f$ (V) at $I_f = 20mA /$ per dice
OPD-D5610/1B-BW	Super Blue	460nm (InGaN / Sapphire)	60 mcd	OPD-D5610/1LY-BW	Super Bright Yellow	590nm (AlGaInP / GaAs)	120 mcd
OPD-D5610/1LB-BW	Super Bright Blue	470nm (InGaN / Sapphire)	120 mcd	OPD-D5610/1A-BW	Amber	610nm (GaAsP / GaP)	10 mcd
OPD-D5610/1PY-BW	Pure Green	525nm (InGaN / Sapphire)	250 mcd	OPD-D5610/1LA-BW	Super Bright Amber	610nm (AlGaInP / GaAs)	100 mcd
OPD-D5610/1G-BW	Yellow Green	570nm (GaP / GaP)	15 mcd	OPD-D5610/1E-BW	High Efficiency Red	620nm (GaAsP / GaP)	10 mcd
OPD-D5610/1YG-BW	Super Bright Yellow Green	570nm (AlGaInP / GaAs)	40 mcd	OPD-D5610/1LE-BW	Super Bright Red	625nm (AlGaInP / GaAs)	120 mcd
OPD-D5610/1Y-BW	Yellow	590nm (GaAsP / GaP)	17 mcd	OPD-D5610/1SR-BW	Super Red	645nm (AlGaAs / GaAs,SH)	10 mcd

#### Package Dimension / Internal Circuit

0.80" two digit display

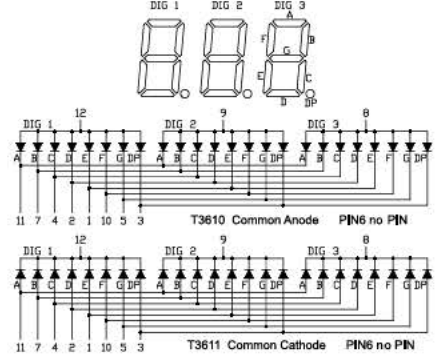
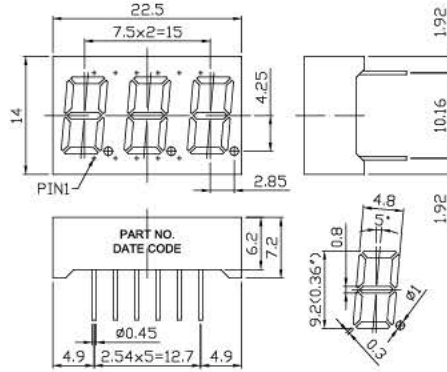
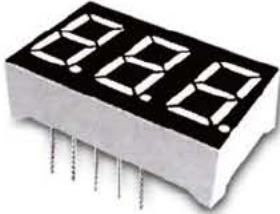


Part Number (C.A / C.C.)	Color	Wave Length (nm) $\lambda_d$ @ $I_f = 20\text{mA}$ (Dice Materials)	$V_f$ (V) at $I_f = 20\text{mA}$ / per dice	Part Number (C.A / C.C.)	Color	Wave Length (nm) $\lambda_d$ @ $I_f = 20\text{mA}$ (Dice Materials)	$V_f$ (V) at $I_f = 20\text{mA}$ / per dice
OPD-D8010/1B-BW	Super Blue	460nm (InGaN / Sapphire)	60 mcd	OPD-D8010/1LY-BW	Super Bright Yellow	590nm (AlGaInP / GaAs)	120 mcd
OPD-D8010/1LB-BW	Super Bright Blue	470nm (InGaN / Sapphire)	120 mcd	OPD-D8010/1A-BW	Amber	610nm (GaAsP / GaP)	10 mcd
OPD-D8010/1PY-BW	Pure Green	525nm (InGaN / Sapphire)	250 mcd	OPD-D8010/1LA-BW	Super Bright Amber	610nm (AlGaInP / GaAs)	100 mcd
OPD-D8010/1G-BW	Yellow Green	570nm (GaP / GaP)	15 mcd	OPD-D8010/1E-BW	High Efficiency Red	620nm (GaAsP / GaP)	10 mcd
OPD-D8010/1YG-BW	Super Bright Yellow Green	570nm (AlGaInP / GaAs)	40 mcd	OPD-D8010/1LE-BW	Super Bright Red	625nm (AlGaInP / GaAs)	120 mcd
OPD-D8010/1Y-BW	Yellow	590nm (GaAsP / GaP)	17 mcd	OPD-D8010/1SR-BW	Super Red	645nm (AlGaAs / GaAs,SH)	10 mcd



#### Package Dimension / Internal Circuit

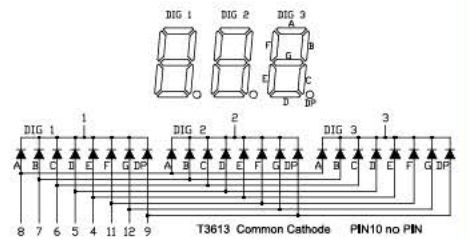
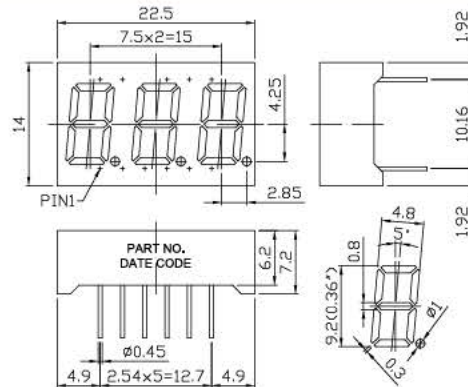
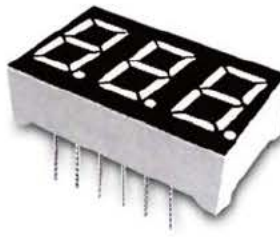
0.36" three digit display



Part Number (C.A / C.C.)	Color	Wave Length (nm) $\lambda_d$ @ $I_f = 20\text{mA}$ (Dice Materials)	$V_f$ (V) at $I_f = 20\text{mA}$ / per dice	Part Number (C.A / C.C.)	Color	Wave Length (nm) $\lambda_d$ @ $I_f = 20\text{mA}$ (Dice Materials)	$V_f$ (V) at $I_f = 20\text{mA}$ / per dice
<del>OPD-T3610/1G-BW</del>	Super Blue	460nm (InGaN / Sapphire)	60 mcd	OPD-T3610/1LY-BW	Super Bright Yellow	590nm (AlGaInP / GaAs)	120 mcd
<del>OPD-T3610/1A-BW</del>	Super Bright Blue	470nm (InGaN / Sapphire)	120 mcd	OPD-T3610/1A-BW	Amber	610nm (GaAsP / GaP)	10 mcd
<del>OPD-T3610/1G-BW</del>	Pure Green	525nm (InGaN / Sapphire)	250 mcd	OPD-T3610/1LA-BW	Super Bright Amber	610nm (AlGaInP / GaAs)	100 mcd
OPD-T3610/1G-BW	Yellow Green	570nm (GaP / GaP)	15 mcd	OPD-T3610/1E-BW	High Efficiency Red	620nm (GaAsP / GaP)	10 mcd
OPD-T3610/1YG-BW	Super Bright Yellow Green	570nm (AlGaInP / GaAs)	40 mcd	OPD-T3610/1LE-BW	Super Bright Red	625nm (AlGaInP / GaAs)	120 mcd
OPD-T3610/1Y-BW	Yellow	590nm (GaAsP / GaP)	17 mcd	OPD-T3610/1SR-BW	Super Red	645nm (AlGaAs / GaAs,SH)	10 mcd

#### Package Dimension / Internal Circuit

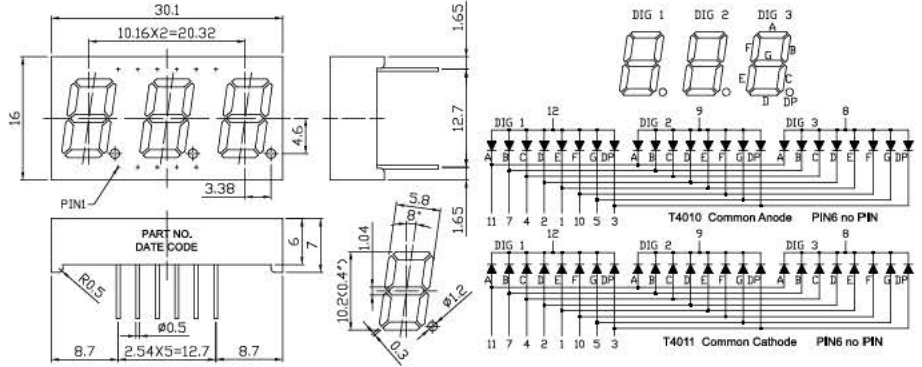
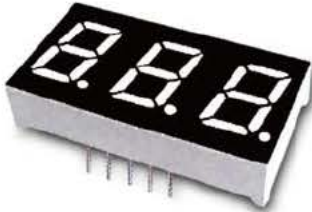
0.36" three digit display



Part Number (C.A / C.C.)	Color	Wave Length (nm) $\lambda_d$ @ $I_f = 20\text{mA}$ (Dice Materials)	$V_f$ (V) at $I_f = 20\text{mA}$ / per dice	Part Number (C.A / C.C.)	Color	Wave Length (nm) $\lambda_d$ @ $I_f = 20\text{mA}$ (Dice Materials)	$V_f$ (V) at $I_f = 20\text{mA}$ / per dice
<del>OPD-T3613G-BW</del>	Super Blue	460nm (InGaN / Sapphire)	60 mcd	OPD-T3613LY-BW	Super Bright Yellow	590nm (AlGaInP / GaAs)	120 mcd
<del>OPD-T3613G-BW</del>	Super Bright Blue	470nm (InGaN / Sapphire)	120 mcd	OPD-T3613A-BW	Amber	610nm (GaAsP / GaP)	10 mcd
<del>OPD-T3613G-BW</del>	Pure Green	525nm (InGaN / Sapphire)	250 mcd	OPD-T3613LA-BW	Super Bright Amber	610nm (AlGaInP / GaAs)	100 mcd
OPD-T3613G-BW	Yellow Green	570nm (GaP / GaP)	15 mcd	OPD-T3613E-BW	High Efficiency Red	620nm (GaAsP / GaP)	10 mcd
OPD-T3613YG-BW	Super Bright Yellow Green	570nm (AlGaInP / GaAs)	40 mcd	OPD-T3613LE-BW	Super Bright Red	625nm (AlGaInP / GaAs)	120 mcd
OPD-T3613Y-BW	Yellow	590nm (GaAsP / GaP)	17 mcd	OPD-T3613SR-BW	Super Red	645nm (AlGaAs / GaAs,SH)	10 mcd

#### Package Dimension / Internal Circuit

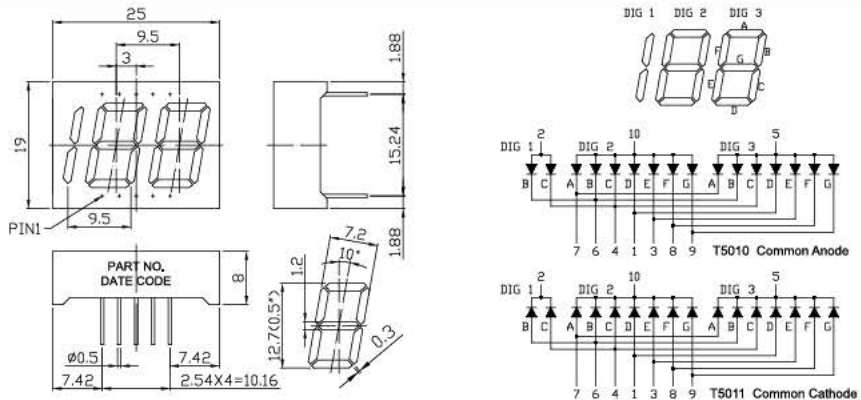
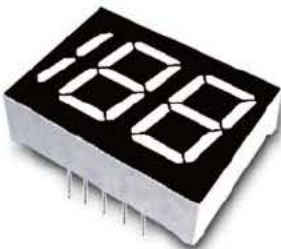
#### 0.40" three digit display



Part Number (C.A / C.C.)	Color	Wave Length (nm) $\lambda_d @ I_f = 20\text{mA}$ (Dice Materials)	$V_f$ (V) at $I_f = 20\text{mA}$ / per dice	Part Number (C.A / C.C.)	Color	Wave Length (nm) $\lambda_d @ I_f = 20\text{mA}$ (Dice Materials)	$V_f$ (V) at $I_f = 20\text{mA}$ / per dice
OPD-T4010/1B-BW	Super Blue	460nm (InGaN / Sapphire)	60 mcd	OPD-T4010/1LY-BW	Super Bright Yellow	590nm (AlGaInP / GaAs)	120 mcd
OPD-T4010/1LB-BW	Super Bright Blue	470nm (InGaN / Sapphire)	120 mcd	OPD-T4010/1A-BW	Amber	610nm (GaAsP / GaP)	10 mcd
OPD-T4010/1PY-BW	Pure Green	525nm (InGaN / Sapphire)	250 mcd	OPD-T4010/1LA-BW	Super Bright Amber	610nm (AlGaInP / GaAs)	100 mcd
OPD-T4010/1G-BW	Yellow Green	570nm (GaP / GaP)	15 mcd	OPD-T4010/1E-BW	High Efficiency Red	620nm (GaAsP / GaP)	10 mcd
OPD-T4010/1YG-BW	Super Bright Yellow Green	570nm (AlGaInP / GaAs)	40 mcd	OPD-T4010/1LE-BW	Super Bright Red	625nm (AlGaInP / GaAs)	120 mcd
OPD-T4010/1Y-BW	Yellow	590nm (GaAsP / GaP)	17 mcd	OPD-T4010/1SR-BW	Super Red	645nm (AlGaAs / GaAs,SH)	10 mcd

#### Package Dimension / Internal Circuit

#### 0.50" three digit display

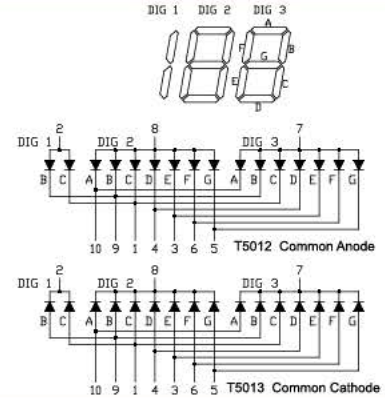
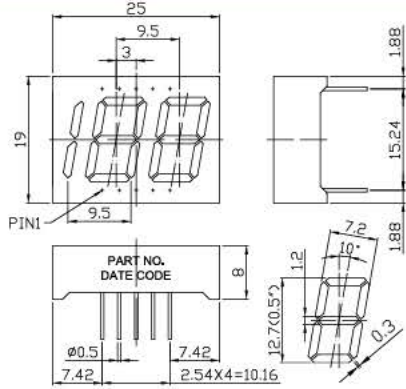
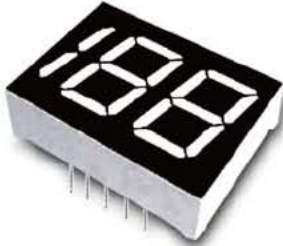


Part Number (C.A / C.C.)	Color	Wave Length (nm) $\lambda_d @ I_f = 20\text{mA}$ (Dice Materials)	$V_f$ (V) at $I_f = 20\text{mA}$ / per dice	Part Number (C.A / C.C.)	Color	Wave Length (nm) $\lambda_d @ I_f = 20\text{mA}$ (Dice Materials)	$V_f$ (V) at $I_f = 20\text{mA}$ / per dice
OPD-T5010/1B-BW	Super Blue	460nm (InGaN / Sapphire)	60 mcd	OPD-T5010/1LY-BW	Super Bright Yellow	590nm (AlGaInP / GaAs)	120 mcd
OPD-T5010/1LB-BW	Super Bright Blue	470nm (InGaN / Sapphire)	120 mcd	OPD-T5010/1A-BW	Amber	610nm (GaAsP / GaP)	10 mcd
OPD-T5010/1PY-BW	Pure Green	525nm (InGaN / Sapphire)	250 mcd	OPD-T5010/1LA-BW	Super Bright Amber	610nm (AlGaInP / GaAs)	100 mcd
OPD-T5010/1G-BW	Yellow Green	570nm (GaP / GaP)	15 mcd	OPD-T5010/1E-BW	High Efficiency Red	620nm (GaAsP / GaP)	10 mcd
OPD-T5010/1YG-BW	Super Bright Yellow Green	570nm (AlGaInP / GaAs)	40 mcd	OPD-T5010/1LE-BW	Super Bright Red	625nm (AlGaInP / GaAs)	120 mcd
OPD-T5010/1Y-BW	Yellow	590nm (GaAsP / GaP)	17 mcd	OPD-T5010/1SR-BW	Super Red	645nm (AlGaAs / GaAs,SH)	10 mcd



#### Package Dimension / Internal Circuit

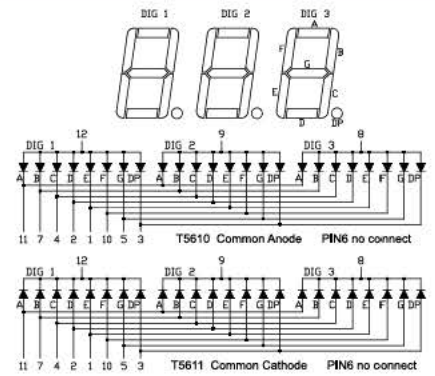
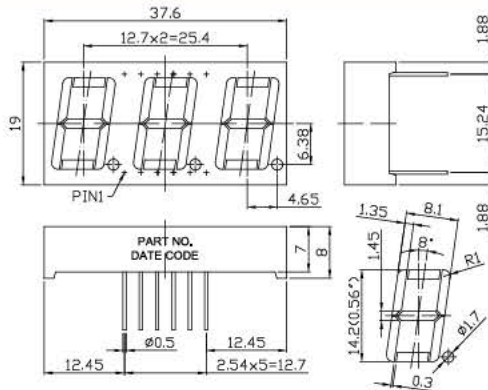
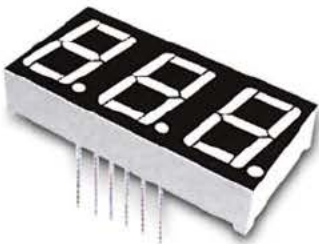
#### 0.50" three digit display



Part Number (C.A / C.C.)	Color	Wave Length (nm) $\lambda_d$ @ $I_f = 20\text{mA}$ (Dice Materials)	$V_f$ (V) at $I_f = 20\text{mA}$ / per dice	Part Number (C.A / C.C.)	Color	Wave Length (nm) $\lambda_d$ @ $I_f = 20\text{mA}$ (Dice Materials)	$V_f$ (V) at $I_f = 20\text{mA}$ / per dice
OPD-T5012/3B-BW	Super Blue	460nm (InGaN / Sapphire)	60 mcd	OPD-T5012/3LY-BW	Super Bright Yellow	590nm (AlGaInP / GaAs)	120 mcd
OPD-T5012/3LB-BW	Super Bright Blue	470nm (InGaN / Sapphire)	120 mcd	OPD-T5012/3A-BW	Amber	610nm (GaAsP / GaP)	10 mcd
OPD-T5012/3PY-BW	Pure Green	525nm (InGaN / Sapphire)	250 mcd	OPD-T5012/3LA-BW	Super Bright Amber	610nm (AlGaInP / GaAs)	100 mcd
OPD-T5012/3G-BW	Yellow Green	570nm (GaP / GaP)	15 mcd	OPD-T5012/3E-BW	High Efficiency Red	620nm (GaAsP / GaP)	10 mcd
OPD-T5012/3YG-BW	Super Bright Yellow Green	570nm (AlGaInP / GaAs)	40 mcd	OPD-T5012/3LE-BW	Super Bright Red	625nm (AlGaInP / GaAs)	120 mcd
OPD-T5012/3Y-BW	Yellow	590nm (GaAsP / GaP)	17 mcd	OPD-T5012/3SR-BW	Super Red	645nm (AlGaAs / GaAs,SH)	10 mcd

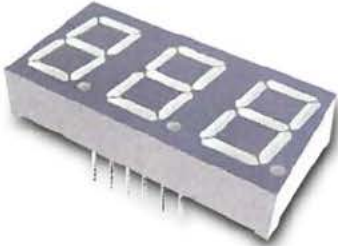
#### Package Dimension / Internal Circuit

#### 0.56" three digit display

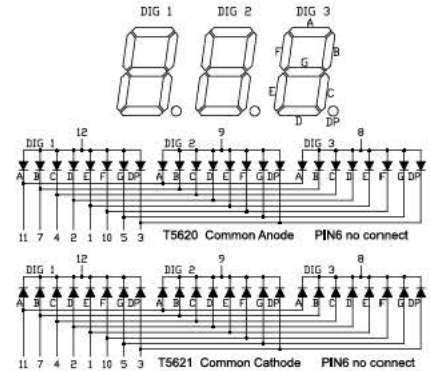
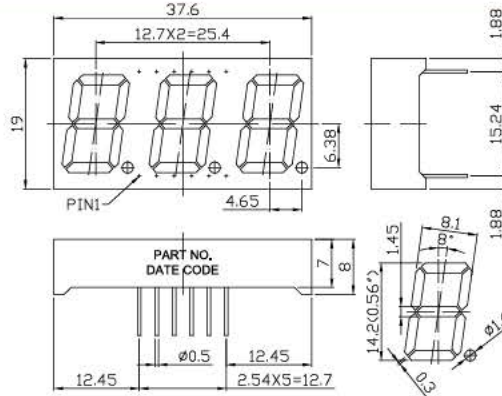


Part Number (C.A / C.C.)	Color	Wave Length (nm) $\lambda_d$ @ $I_f = 20\text{mA}$ (Dice Materials)	$V_f$ (V) at $I_f = 20\text{mA}$ / per dice	Part Number (C.A / C.C.)	Color	Wave Length (nm) $\lambda_d$ @ $I_f = 20\text{mA}$ (Dice Materials)	$V_f$ (V) at $I_f = 20\text{mA}$ / per dice
OPD-T5610/1B-BW	Super Blue	460nm (InGaN / Sapphire)	60 mcd	OPD-T5610/1LY-BW	Super Bright Yellow	590nm (AlGaInP / GaAs)	120 mcd
OPD-T5610/1LB-BW	Super Bright Blue	470nm (InGaN / Sapphire)	120 mcd	OPD-T5610/1A-BW	Amber	610nm (GaAsP / GaP)	10 mcd
OPD-T5610/1PY-BW	Pure Green	525nm (InGaN / Sapphire)	250 mcd	OPD-T5610/1LA-BW	Super Bright Amber	610nm (AlGaInP / GaAs)	100 mcd
OPD-T5610/1G-BW	Yellow Green	570nm (GaP / GaP)	15 mcd	OPD-T5610/1E-BW	High Efficiency Red	620nm (GaAsP / GaP)	10 mcd
OPD-T5610/1YG-BW	Super Bright Yellow Green	570nm (AlGaInP / GaAs)	40 mcd	OPD-T5610/1LE-BW	Super Bright Red	625nm (AlGaInP / GaAs)	120 mcd
OPD-T5610/1Y-BW	Yellow	590nm (GaAsP / GaP)	17 mcd	OPD-T5610/1SR-BW	Super Red	645nm (AlGaAs / GaAs,SH)	10 mcd

#### 0.56" three digit display



#### Package Dimension / Internal Circuit

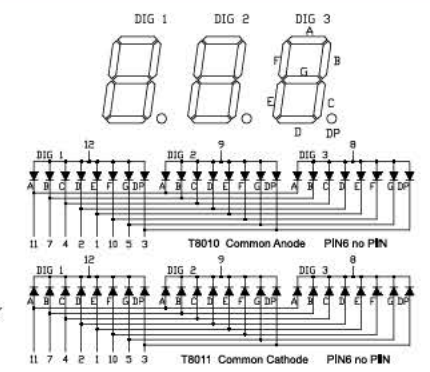
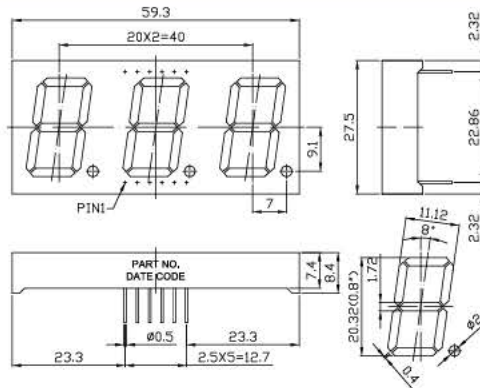


Part Number (C.A / C.C.)	Color	Wave Length (nm) $\lambda_d @ I_f = 20mA$ (Dice Materials)	$V_f$ (V) at $I_f = 20mA$ / per dice	Part Number (C.A / C.C.)	Color	Wave Length (nm) $\lambda_d @ I_f = 20mA$ (Dice Materials)	$V_f$ (V) at $I_f = 20mA$ / per dice
OPD-T5620/1B-GW	Super Blue	460nm (InGaN / Sapphire)	60 mcd	OPD-T5620/1LY-GW	Super Bright Yellow	590nm (AlGaInP / GaAs)	120 mcd
OPD-T5620/1LB-GW	Super Bright Blue	470nm (InGaN / Sapphire)	120 mcd	OPD-T5620/1A-GW	Amber	610nm (GaAsP / GaP)	10 mcd
OPD-T5620/1PY-GW	Pure Green	525nm (InGaN / Sapphire)	250 mcd	OPD-T5620/1LA-GW	Super Bright Amber	610nm (AlGaInP / GaAs)	100 mcd
OPD-T5620/1G-GW	Yellow Green	570nm (GaP / GaP)	15 mcd	OPD-T5620/1E-GW	High Efficiency Red	620nm (GaAsP / GaP)	10 mcd
OPD-T5620/1YG-GW	Super Bright Yellow Green	570nm (AlGaInP / GaAs)	40 mcd	OPD-T5620/1LE-GW	Super Bright Red	625nm (AlGaInP / GaAs)	120 mcd
OPD-T5620/1Y-GW	Yellow	590nm (GaAsP / GaP)	17 mcd	OPD-T5620/1SR-GW	Super Red	645nm (AlGaAs / GaAs,SH)	10 mcd

#### 0.80" three digit display



#### Package Dimension / Internal Circuit

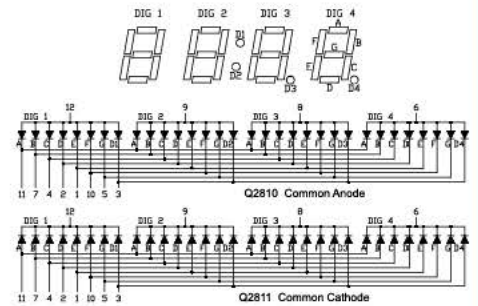
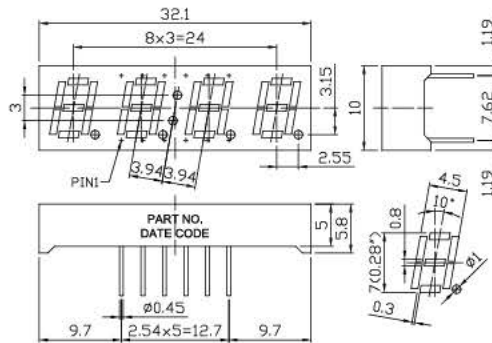
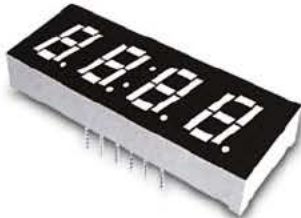


Part Number (C.A / C.C.)	Color	Wave Length (nm) $\lambda_d @ I_f = 20mA$ (Dice Materials)	$V_f$ (V) at $I_f = 20mA$ / per dice	Part Number (C.A / C.C.)	Color	Wave Length (nm) $\lambda_d @ I_f = 20mA$ (Dice Materials)	$V_f$ (V) at $I_f = 20mA$ / per dice
OPD-T8010/1B-BW	Super Blue	460nm (InGaN / Sapphire)	60 mcd	OPD-T8010/1LY-BW	Super Bright Yellow	590nm (AlGaInP / GaAs)	120 mcd
OPD-T8010/1LB-BW	Super Bright Blue	470nm (InGaN / Sapphire)	120 mcd	OPD-T8010/1A-BW	Amber	610nm (GaAsP / GaP)	10 mcd
OPD-T8010/1PY-BW	Pure Green	525nm (InGaN / Sapphire)	250 mcd	OPD-T8010/1LA-BW	Super Bright Amber	610nm (AlGaInP / GaAs)	100 mcd
OPD-T8010/1G-BW	Yellow Green	570nm (GaP / GaP)	15 mcd	OPD-T8010/1E-BW	High Efficiency Red	620nm (GaAsP / GaP)	10 mcd
OPD-T8010/1YG-BW	Super Bright Yellow Green	570nm (AlGaInP / GaAs)	40 mcd	OPD-T8010/1LE-BW	Super Bright Red	625nm (AlGaInP / GaAs)	120 mcd
OPD-T8010/1Y-BW	Yellow	590nm (GaAsP / GaP)	17 mcd	OPD-T8010/1SR-BW	Super Red	645nm (AlGaAs / GaAs,SH)	10 mcd



#### Package Dimension / Internal Circuit

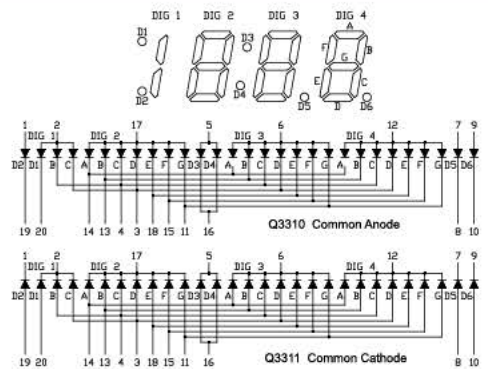
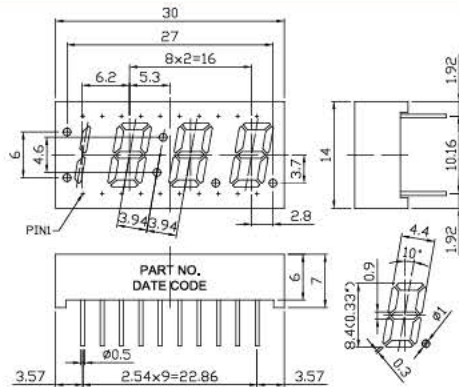
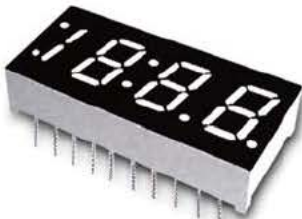
#### 0.28" four digit display



Part Number (C.A / C.C.)	Color	Wave Length (nm) $\lambda_d$ @ $I_f = 20\text{mA}$ (Dice Materials)	$V_f$ (V) at $I_f = 20\text{mA}$ / per dice	Part Number (C.A / C.C.)	Color	Wave Length (nm) $\lambda_d$ @ $I_f = 20\text{mA}$ (Dice Materials)	$V_f$ (V) at $I_f = 20\text{mA}$ / per dice
OPD-Q2810/1B-BW	Super Blue	460nm (InGaN / Sapphire)	60 mcd	OPD-Q2810/1LY-BW	Super Bright Yellow	590nm (AlGaInP / GaAs)	120 mcd
OPD-Q2810/1LB-BW	Super Bright Blue	470nm (InGaN / Sapphire)	120 mcd	OPD-Q2810/1A-BW	Amber	610nm (GaAsP / GaP)	10 mcd
OPD-Q2810/1PY-BW	Pure Green	525nm (InGaN / Sapphire)	250 mcd	OPD-Q2810/1LA-BW	Super Bright Amber	610nm (AlGaInP / GaAs)	100 mcd
OPD-Q2810/1G-BW	Yellow Green	570nm (GaP / GaP)	15 mcd	OPD-Q2810/1E-BW	High Efficiency Red	620nm (GaAsP / GaP)	10 mcd
OPD-Q2810/1YG-BW	Super Bright Yellow Green	570nm (AlGaInP / GaAs)	40 mcd	OPD-Q2810/1LE-BW	Super Bright Red	625nm (AlGaInP / GaAs)	120 mcd
OPD-Q2810/1Y-BW	Yellow	590nm (GaAsP / GaP)	17 mcd	OPD-Q2810/1SR-BW	Super Red	645nm (AlGaAs / GaAs,SH)	10 mcd

#### Package Dimension / Internal Circuit

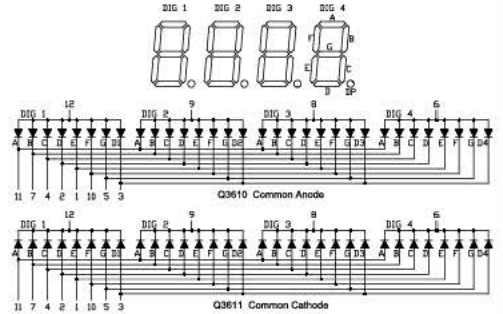
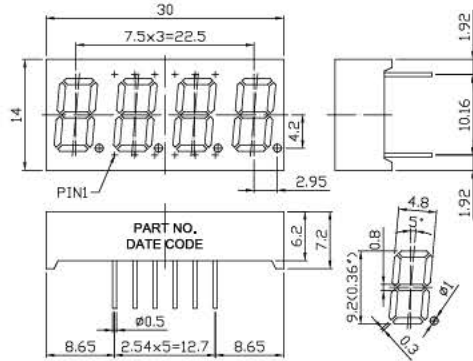
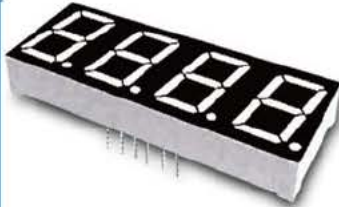
#### 0.33" four digit display



Part Number (C.A / C.C.)	Color	Wave Length (nm) $\lambda_d$ @ $I_f = 20\text{mA}$ (Dice Materials)	$V_f$ (V) at $I_f = 20\text{mA}$ / per dice	Part Number (C.A / C.C.)	Color	Wave Length (nm) $\lambda_d$ @ $I_f = 20\text{mA}$ (Dice Materials)	$V_f$ (V) at $I_f = 20\text{mA}$ / per dice
OPD-Q3310/1B-BW	Super Blue	460nm (InGaN / Sapphire)	60 mcd	OPD-Q3310/1LY-BW	Super Bright Yellow	590nm (AlGaInP / GaAs)	120 mcd
OPD-Q3310/1LB-BW	Super Bright Blue	470nm (InGaN / Sapphire)	120 mcd	OPD-Q3310/1A-BW	Amber	610nm (GaAsP / GaP)	10 mcd
OPD-Q3310/1PY-BW	Pure Green	525nm (InGaN / Sapphire)	250 mcd	OPD-Q3310/1LA-BW	Super Bright Amber	610nm (AlGaInP / GaAs)	100 mcd
OPD-Q3310/1G-BW	Yellow Green	570nm (GaP / GaP)	15 mcd	OPD-Q3310/1E-BW	High Efficiency Red	620nm (GaAsP / GaP)	10 mcd
OPD-Q3310/1YG-BW	Super Bright Yellow Green	570nm (AlGaInP / GaAs)	40 mcd	OPD-Q3310/1LE-BW	Super Bright Red	625nm (AlGaInP / GaAs)	120 mcd
OPD-Q3310/1Y-BW	Yellow	590nm (GaAsP / GaP)	17 mcd	OPD-Q3310/1SR-BW	Super Red	645nm (AlGaAs / GaAs,SH)	10 mcd

#### Package Dimension / Internal Circuit

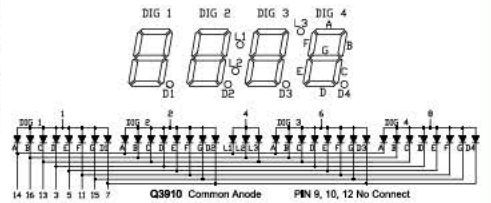
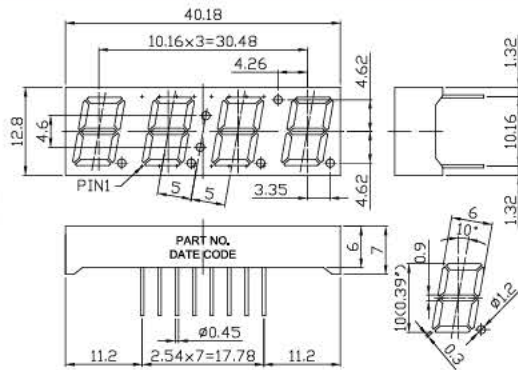
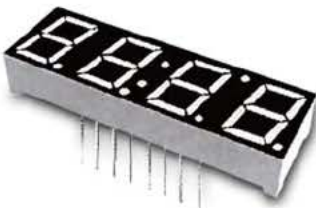
#### 0.36" four digit display



Part Number (C.A / C.C.)	Color	Wave Length (nm) $\lambda_d$ @ $I_f = 20\text{mA}$ (Dice Materials)	$V_f$ (V) at $I_f = 20\text{mA}$ / per dice	Part Number (C.A / C.C.)	Color	Wave Length (nm) $\lambda_d$ @ $I_f = 20\text{mA}$ (Dice Materials)	$V_f$ (V) at $I_f = 20\text{mA}$ / per dice
OPD-Q3610/1B-BW	Super Blue	460nm (InGaN / Sapphire)	60 mcd	OPD-Q3610/1LY-BW	Super Bright Yellow	590nm (AlGaInP / GaAs)	120 mcd
OPD-Q3610/1LB-BW	Super Bright Blue	470nm (InGaN / Sapphire)	120 mcd	OPD-Q3610/1A-BW	Amber	610nm (GaAsP / GaP)	10 mcd
OPD-Q3610/1PY-BW	Pure Green	525nm (InGaN / Sapphire)	250 mcd	OPD-Q3610/1LA-BW	Super Bright Amber	610nm (AlGaInP / GaAs)	100 mcd
OPD-Q3610/1G-BW	Yellow Green	570nm (GaP / GaP)	15 mcd	OPD-Q3610/1E-BW	High Efficiency Red	620nm (GaAsP / GaP)	10 mcd
OPD-Q3610/1YG-BW	Super Bright Yellow Green	570nm (AlGaInP / GaAs)	40 mcd	OPD-Q3610/1LE-BW	Super Bright Red	625nm (AlGaInP / GaAs)	120 mcd
OPD-Q3610/1Y-BW	Yellow	590nm (GaAsP / GaP)	17 mcd	OPD-Q3610/1SR-BW	Super Red	645nm (AlGaAs / GaAs,SH)	10 mcd

#### Package Dimension / Internal Circuit

#### 0.39" four digit display

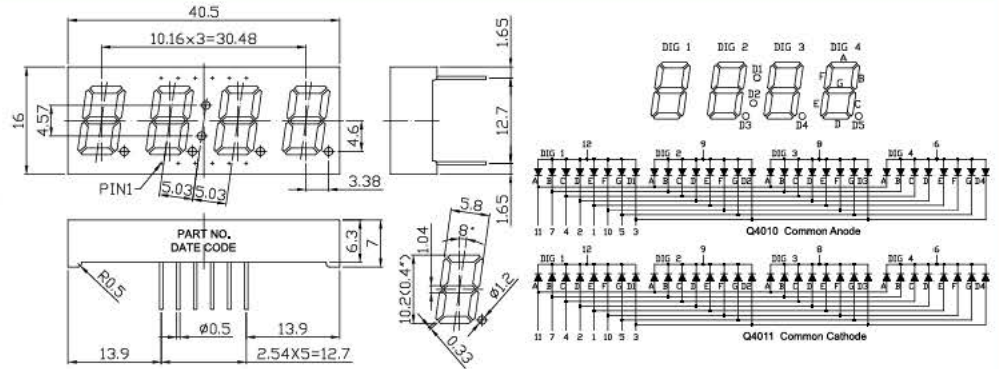
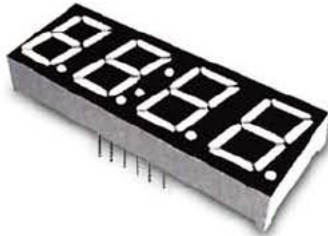


Part Number (C.A / C.C.)	Color	Wave Length (nm) $\lambda_d$ @ $I_f = 20\text{mA}$ (Dice Materials)	$V_f$ (V) at $I_f = 20\text{mA}$ / per dice	Part Number (C.A / C.C.)	Color	Wave Length (nm) $\lambda_d$ @ $I_f = 20\text{mA}$ (Dice Materials)	$V_f$ (V) at $I_f = 20\text{mA}$ / per dice
OPD-Q3910B-BW	Super Blue	460nm (InGaN / Sapphire)	60 mcd	OPD-Q3910LY-BW	Super Bright Yellow	590nm (AlGaInP / GaAs)	120 mcd
OPD-Q3910LB-BW	Super Bright Blue	470nm (InGaN / Sapphire)	120 mcd	OPD-Q3910A-BW	Amber	610nm (GaAsP / GaP)	10 mcd
OPD-Q3910PY-BW	Pure Green	525nm (InGaN / Sapphire)	250 mcd	OPD-Q3910LA-BW	Super Bright Amber	610nm (AlGaInP / GaAs)	100 mcd
OPD-Q3910G-BW	Yellow Green	570nm (GaP / GaP)	15 mcd	OPD-Q3910E-BW	High Efficiency Red	620nm (GaAsP / GaP)	10 mcd
OPD-Q3910YG-BW	Super Bright Yellow Green	570nm (AlGaInP / GaAs)	40 mcd	OPD-Q3910LE-BW	Super Bright Red	625nm (AlGaInP / GaAs)	120 mcd
OPD-Q3910Y-BW	Yellow	590nm (GaAsP / GaP)	17 mcd	OPD-Q3910SR-BW	Super Red	645nm (AlGaAs / GaAs,SH)	10 mcd



#### Package Dimension / Internal Circuit

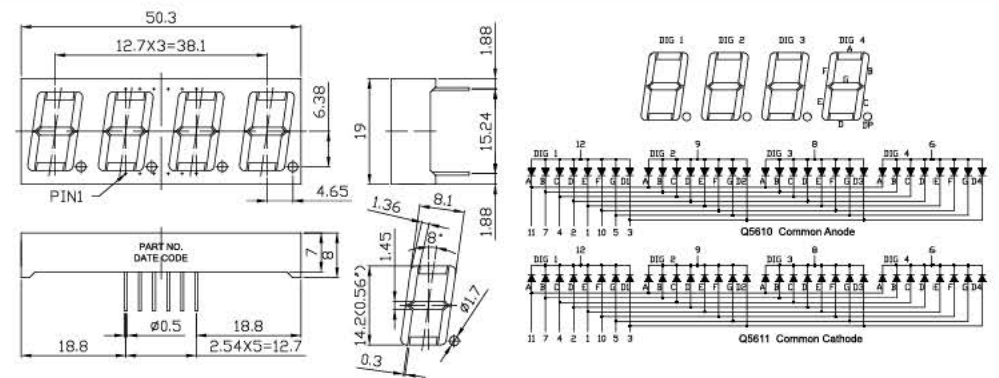
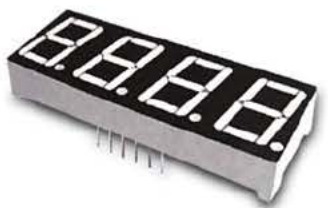
#### 0.40" four digit display



Part Number (C.A / C.C.)	Color	Wave Length (nm) $\lambda_d$ @ $I_f = 20\text{mA}$ (Dice Materials)	$V_f$ (V) at $I_f = 20\text{mA}$ / per dice	Part Number (C.A / C.C.)	Color	Wave Length (nm) $\lambda_d$ @ $I_f = 20\text{mA}$ (Dice Materials)	$V_f$ (V) at $I_f = 20\text{mA}$ / per dice
OPD-Q4010/1B-BW	Super Blue	460nm (InGaN / Sapphire)	60 mcd	OPD-Q4010/1LY-BW	Super Bright Yellow	590nm (AlGaInP / GaAs)	120 mcd
OPD-Q4010/1LB-BW	Super Bright Blue	470nm (InGaN / Sapphire)	120 mcd	OPD-Q4010/1A-BW	Amber	610nm (GaAsP / GaP)	10 mcd
OPD-Q4010/1PY-BW	Pure Green	525nm (InGaN / Sapphire)	250 mcd	OPD-Q4010/1LA-BW	Super Bright Amber	610nm (AlGaInP / GaAs)	100 mcd
OPD-Q4010/1G-BW	Yellow Green	570nm (GaP / GaP)	15 mcd	OPD-Q4010/1E-BW	High Efficiency Red	620nm (GaAsP / GaP)	10 mcd
OPD-Q4010/1YG-BW	Super Bright Yellow Green	570nm (AlGaInP / GaAs)	40 mcd	OPD-Q4010/1LE-BW	Super Bright Red	625nm (AlGaInP / GaAs)	120 mcd
OPD-Q4010/1Y-BW	Yellow	590nm (GaAsP / GaP)	17 mcd	OPD-Q4010/1SR-BW	Super Red	645nm (AlGaAs / GaAs,SH)	10 mcd

#### Package Dimension / Internal Circuit

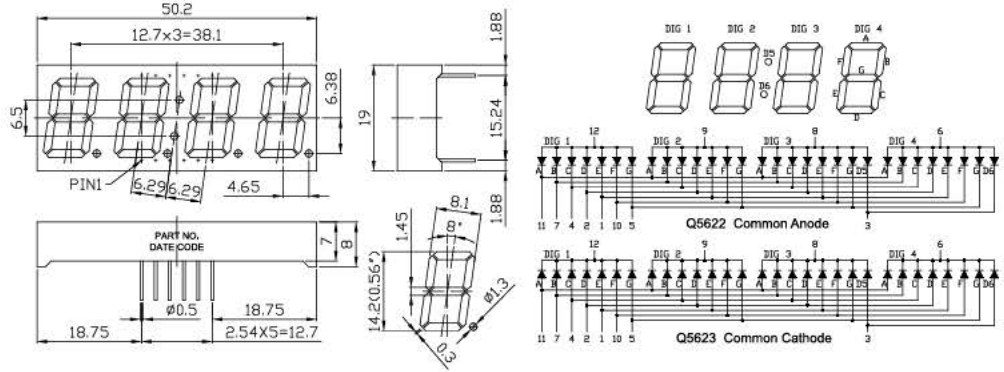
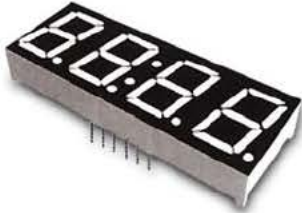
#### 0.56" four digit display



Part Number (C.A / C.C.)	Color	Wave Length (nm) $\lambda_d$ @ $I_f = 20\text{mA}$ (Dice Materials)	$V_f$ (V) at $I_f = 20\text{mA}$ / per dice	Part Number (C.A / C.C.)	Color	Wave Length (nm) $\lambda_d$ @ $I_f = 20\text{mA}$ (Dice Materials)	$V_f$ (V) at $I_f = 20\text{mA}$ / per dice
OPD-Q5610/1B-BW	Super Blue	460nm (InGaN / Sapphire)	60 mcd	OPD-Q5610/1LY-BW	Super Bright Yellow	590nm (AlGaInP / GaAs)	120 mcd
OPD-Q5610/1LB-BW	Super Bright Blue	470nm (InGaN / Sapphire)	120 mcd	OPD-Q5610/1A-BW	Amber	610nm (GaAsP / GaP)	10 mcd
OPD-Q5610/1PY-BW	Pure Green	525nm (InGaN / Sapphire)	250 mcd	OPD-Q5610/1LA-BW	Super Bright Amber	610nm (AlGaInP / GaAs)	100 mcd
OPD-Q5610/1G-BW	Yellow Green	570nm (GaP / GaP)	15 mcd	OPD-Q5610/1E-BW	High Efficiency Red	620nm (GaAsP / GaP)	10 mcd
OPD-Q5610/1YG-BW	Super Bright Yellow Green	570nm (AlGaInP / GaAs)	40 mcd	OPD-Q5610/1LE-BW	Super Bright Red	625nm (AlGaInP / GaAs)	120 mcd
OPD-Q5610/1Y-BW	Yellow	590nm (GaAsP / GaP)	17 mcd	OPD-Q5610/1SR-BW	Super Red	645nm (AlGaAs / GaAs,SH)	10 mcd

#### Package Dimension / Internal Circuit

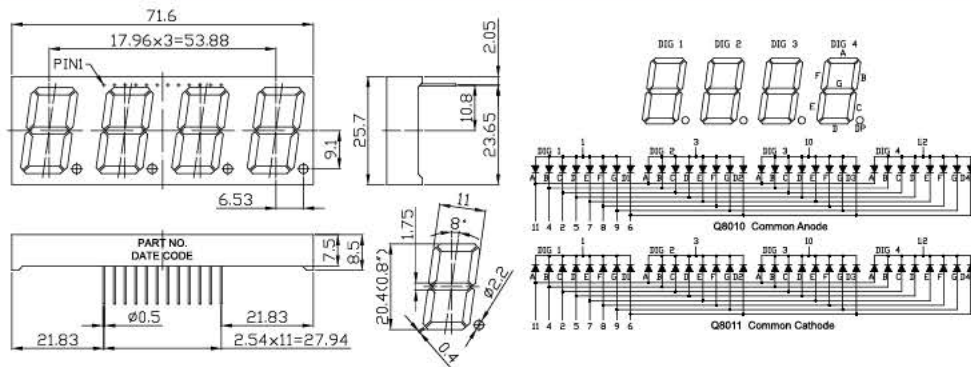
#### 0.56" four digit display



Part Number (C.A / C.C.)	Color	Wave Length (nm) $\lambda_d @ I_f = 20mA$ (Dice Materials)	$V_f$ (V) at $I_f = 20mA /$ per dice	Part Number (C.A / C.C.)	Color	Wave Length (nm) $\lambda_d @ I_f = 20mA$ (Dice Materials)	$V_f$ (V) at $I_f = 20mA /$ per dice
OPD-Q5622/3B-BW	Super Blue	460nm (InGaN / Sapphire)	60 mcd	OPD-Q5622/3LY-BW	Super Bright Yellow	590nm (AlGaInP / GaAs)	120 mcd
OPD-Q5622/3LB-BW	Super Bright Blue	470nm (InGaN / Sapphire)	120 mcd	OPD-Q5622/3A-BW	Amber	610nm (GaAsP / GaP)	10 mcd
OPD-Q5622/3PY-BW	Pure Green	525nm (InGaN / Sapphire)	250 mcd	OPD-Q5622/3LA-BW	Super Bright Amber	610nm (AlGaInP / GaAs)	100 mcd
OPD-Q5622/3G-BW	Yellow Green	570nm (GaP / GaP)	15 mcd	OPD-Q5622/3E-BW	High Efficiency Red	620nm (GaAsP / GaP)	10 mcd
OPD-Q5622/3YG-BW	Super Bright Yellow Green	570nm (AlGaInP / GaAs)	40 mcd	OPD-Q5622/3LE-BW	Super Bright Red	625nm (AlGaInP / GaAs)	120 mcd
OPD-Q5622/3Y-BW	Yellow	590nm (GaAsP / GaP)	17 mcd	OPD-Q5622/3SR-BW	Super Red	645nm (AlGaAs / GaAs,SH)	10 mcd

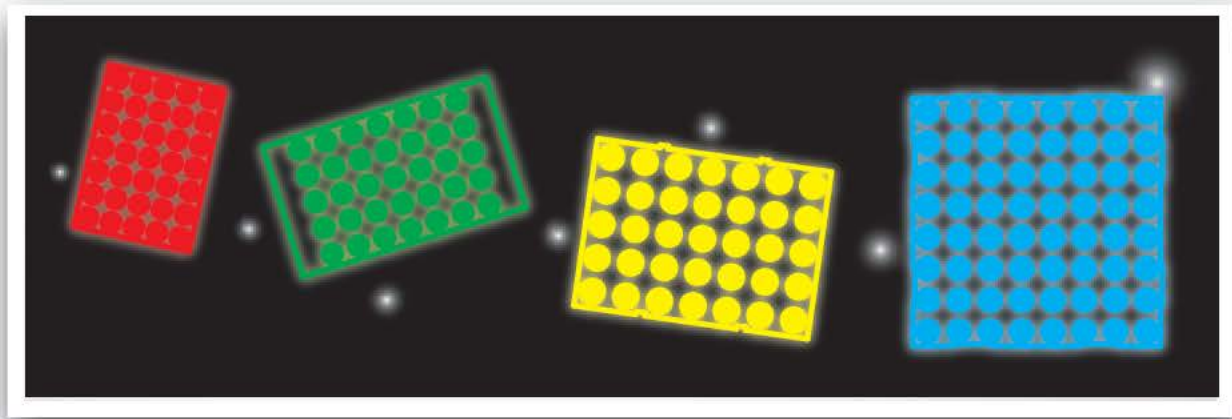
#### Package Dimension / Internal Circuit

#### 0.80" four digit display



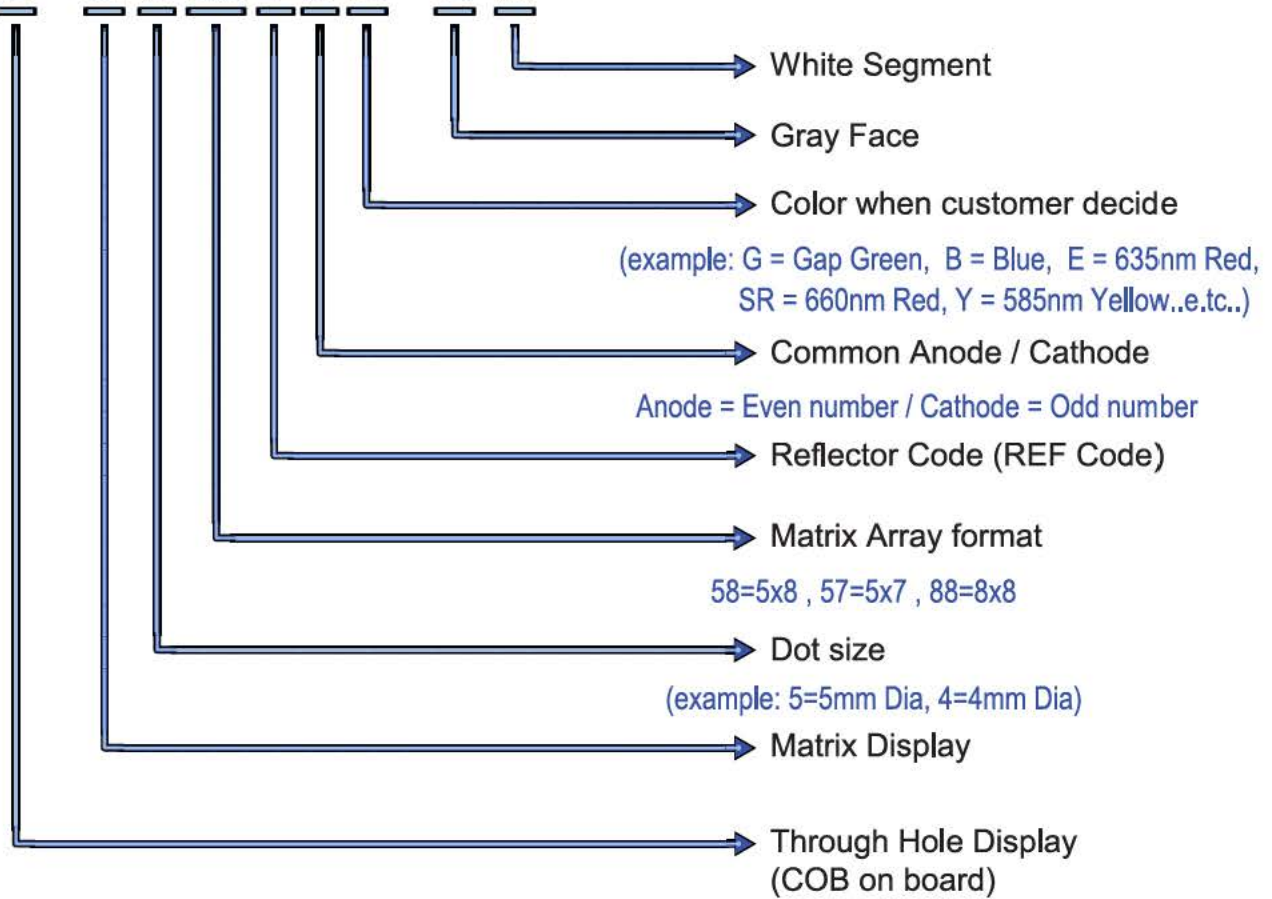
Part Number (C.A / C.C.)	Color	Wave Length (nm) $\lambda_d @ I_f = 20mA$ (Dice Materials)	$V_f$ (V) at $I_f = 20mA /$ per dice	Part Number (C.A / C.C.)	Color	Wave Length (nm) $\lambda_d @ I_f = 20mA$ (Dice Materials)	$V_f$ (V) at $I_f = 20mA /$ per dice
OPD-Q8010/1B-BW	Super Blue	460nm (InGaN / Sapphire)	60 mcd	OPD-Q8010/1LY-BW	Super Bright Yellow	590nm (AlGaInP / GaAs)	120 mcd
OPD-Q8010/1LB-BW	Super Bright Blue	470nm (InGaN / Sapphire)	120 mcd	OPD-Q8010/1A-BW	Amber	610nm (GaAsP / GaP)	10 mcd
OPD-Q8010/1PY-BW	Pure Green	525nm (InGaN / Sapphire)	250 mcd	OPD-Q8010/1LA-BW	Super Bright Amber	610nm (AlGaInP / GaAs)	100 mcd
OPD-Q8010/1G-BW	Yellow Green	570nm (GaP / GaP)	15 mcd	OPD-Q8010/1E-BW	High Efficiency Red	620nm (GaAsP / GaP)	10 mcd
OPD-Q8010/1YG-BW	Super Bright Yellow Green	570nm (AlGaInP / GaAs)	40 mcd	OPD-Q8010/1LE-BW	Super Bright Red	625nm (AlGaInP / GaAs)	120 mcd
OPD-Q8010/1Y-BW	Yellow	590nm (GaAsP / GaP)	17 mcd	OPD-Q8010/1SR-BW	Super Red	645nm (AlGaAs / GaAs,SH)	10 mcd





# LED DISPLAY PART NO. SYSTEM

OPD - M 5 88 1 0 B - G W



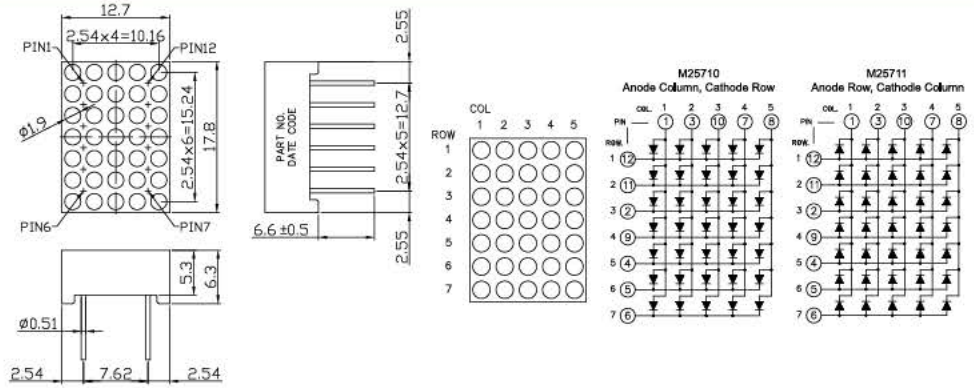
RoHS

Lead - free



#### Package Dimension / Internal Circuit

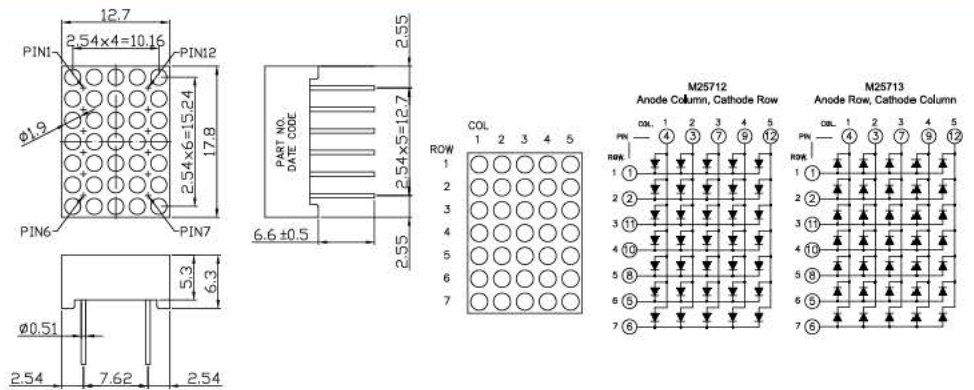
0.67" 5x7 dot matrix display



Part Number (C.A / C.C.)	Color	Wave Length (nm) $\lambda_d$ @ $I_f = 20\text{mA}$ (Dice Materials)	$V_f$ (V) at $I_f = 20\text{mA}$ / per dice	Part Number (C.A / C.C.)	Color	Wave Length (nm) $\lambda_d$ @ $I_f = 20\text{mA}$ (Dice Materials)	$V_f$ (V) at $I_f = 20\text{mA}$ / per dice
OPD-M25710/1B-GW	Super Blue	460nm (InGaN / Sapphire)	60 mcd	OPD-M25710/1LY-GW	Super Bright Yellow	590nm (AlGaInP / GaAs)	120 mcd
OPD-M25710/1LB-GW	Super Bright Blue	470nm (InGaN / Sapphire)	120 mcd	OPD-M25710/1A-GW	Amber	610nm (GaAsP / GaP)	10 mcd
OPD-M25710/1PY-GW	Pure Green	525nm (InGaN / Sapphire)	250 mcd	OPD-M25710/1LA-GW	Super Bright Amber	610nm (AlGaInP / GaAs)	100 mcd
OPD-M25710/1G-GW	Yellow Green	570nm (GaP / GaP)	15 mcd	OPD-M25710/1E-GW	High Efficiency Red	620nm (GaAsP / GaP)	10 mcd
OPD-M25710/1YG-GW	Super Bright Yellow Green	570nm (AlGaInP / GaAs)	40 mcd	OPD-M25710/1LE-GW	Super Bright Red	625nm (AlGaInP / GaAs)	120 mcd
OPD-M25710/1Y-GW	Yellow	590nm (GaAsP / GaP)	17 mcd	OPD-M25710/1SR-GW	Super Red	645nm (AlGaAs / GaAs,SH)	10 mcd

#### Package Dimension / Internal Circuit

0.67" 5x7 dot matrix display

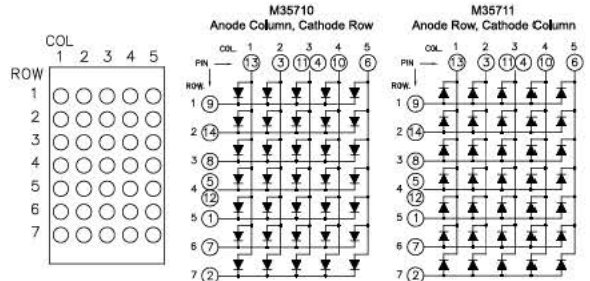
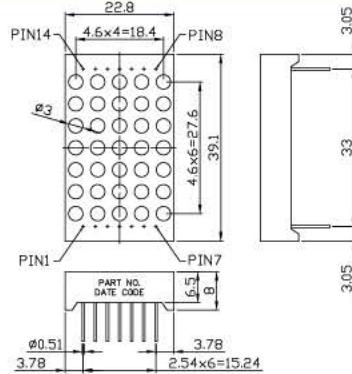


Part Number (C.A / C.C.)	Color	Wave Length (nm) $\lambda_d$ @ $I_f = 20\text{mA}$ (Dice Materials)	$V_f$ (V) at $I_f = 20\text{mA}$ / per dice	Part Number (C.A / C.C.)	Color	Wave Length (nm) $\lambda_d$ @ $I_f = 20\text{mA}$ (Dice Materials)	$V_f$ (V) at $I_f = 20\text{mA}$ / per dice
OPD-M25712/3B-BW	Super Blue	460nm (InGaN / Sapphire)	60 mcd	OPD-M25712/3LY-BW	Super Bright Yellow	590nm (AlGaInP / GaAs)	120 mcd
OPD-M25712/3LB-BW	Super Bright Blue	470nm (InGaN / Sapphire)	120 mcd	OPD-M25712/3A-BW	Amber	610nm (GaAsP / GaP)	10 mcd
OPD-M25712/3PY-BW	Pure Green	525nm (InGaN / Sapphire)	250 mcd	OPD-M25712/3LA-BW	Super Bright Amber	610nm (AlGaInP / GaAs)	100 mcd
OPD-M25712/3G-BW	Yellow Green	570nm (GaP / GaP)	15 mcd	OPD-M25712/3E-BW	High Efficiency Red	620nm (GaAsP / GaP)	10 mcd
OPD-M25712/3YG-BW	Super Bright Yellow Green	570nm (AlGaInP / GaAs)	40 mcd	OPD-M25712/3LE-BW	Super Bright Red	625nm (AlGaInP / GaAs)	120 mcd
OPD-M25712/3Y-BW	Yellow	590nm (GaAsP / GaP)	17 mcd	OPD-M25712/3SR-BW	Super Red	645nm (AlGaAs / GaAs,SH)	10 mcd



#### Package Dimension / Internal Circuit

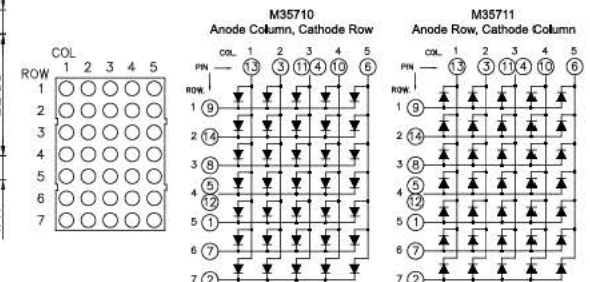
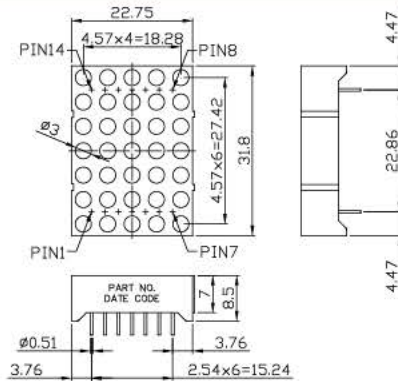
#### 1.20" 5x7 dot matrix display



Part Number (C.A / C.C.)	Color	Wave Length (nm) $\lambda_d @ I_f = 20\text{mA}$ (Dice Materials)	$V_f$ (V) at $I_f = 20\text{mA}$ / per dice	Part Number (C.A / C.C.)	Color	Wave Length (nm) $\lambda_d @ I_f = 20\text{mA}$ (Dice Materials)	$V_f$ (V) at $I_f = 20\text{mA}$ / per dice
OPD-M35710/1B-GW	Super Blue	460nm (InGaN / Sapphire)	60 mcd	OPD-M35710/1LY-GW	Super Bright Yellow	590nm (AlGaInP / GaAs)	120 mcd
OPD-M35710/1LB-GW	Super Bright Blue	470nm (InGaN / Sapphire)	120 mcd	OPD-M35710/1A-GW	Amber	610nm (GaAsP / GaP)	10 mcd
OPD-M35710/1PY-GW	Pure Green	525nm (InGaN / Sapphire)	250 mcd	OPD-M35710/1LA-GW	Super Bright Amber	610nm (AlGaInP / GaAs)	100 mcd
OPD-M35710/1G-GW	Yellow Green	570nm (GaP / GaP)	15 mcd	OPD-M35710/1E-GW	High Efficiency Red	620nm (GaAsP / GaP)	10 mcd
OPD-M35710/1YG-GW	Super Bright Yellow Green	570nm (AlGaInP / GaAs)	40 mcd	OPD-M35710/1LE-GW	Super Bright Red	625nm (AlGaInP / GaAs)	120 mcd
OPD-M35710/1Y-GW	Yellow	590nm (GaAsP / GaP)	17 mcd	OPD-M25710/1SR-GW	Super Red	645nm (AlGaAs / GaAs,SH)	10 mcd

#### Package Dimension / Internal Circuit

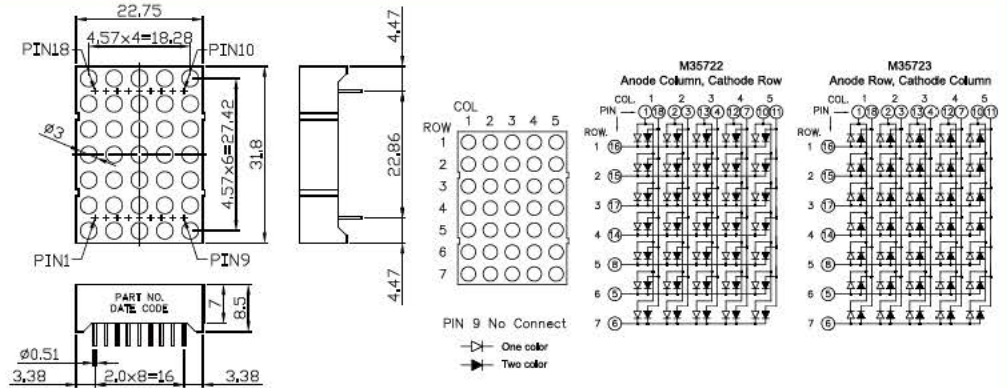
#### 1.20" 5x7 dot matrix display



Part Number (C.A / C.C.)	Color	Wave Length (nm) $\lambda_d @ I_f = 20\text{mA}$ (Dice Materials)	$V_f$ (V) at $I_f = 20\text{mA}$ / per dice	Part Number (C.A / C.C.)	Color	Wave Length (nm) $\lambda_d @ I_f = 20\text{mA}$ (Dice Materials)	$V_f$ (V) at $I_f = 20\text{mA}$ / per dice
OPD-M35720/1B-BW	Super Blue	460nm (InGaN / Sapphire)	60 mcd	OPD-M35720/1LY-BW	Super Bright Yellow	590nm (AlGaInP / GaAs)	120 mcd
OPD-M35720/1LB-BW	Super Bright Blue	470nm (InGaN / Sapphire)	120 mcd	OPD-M35720/1A-BW	Amber	610nm (GaAsP / GaP)	10 mcd
OPD-M35720/1PY-BW	Pure Green	525nm (InGaN / Sapphire)	250 mcd	OPD-M35720/1LA-BW	Super Bright Amber	610nm (AlGaInP / GaAs)	100 mcd
OPD-M35720/1G-BW	Yellow Green	570nm (GaP / GaP)	15 mcd	OPD-M35720/1E-BW	High Efficiency Red	620nm (GaAsP / GaP)	10 mcd
OPD-M35720/1YG-BW	Super Bright Yellow Green	570nm (AlGaInP / GaAs)	40 mcd	OPD-M35720/1LE-BW	Super Bright Red	625nm (AlGaInP / GaAs)	120 mcd
OPD-M35720/1Y-BW	Yellow	590nm (GaAsP / GaP)	17 mcd	OPD-M35720/1SR-BW	Super Red	645nm (AlGaAs / GaAs,SH)	10 mcd

#### Package Dimension / Internal Circuit

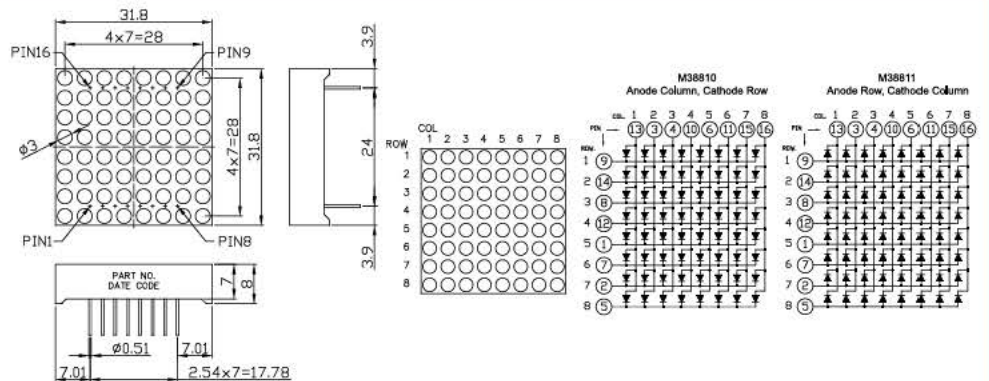
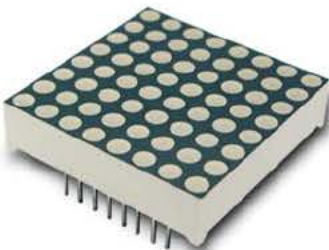
#### 1.20" 5x7 dot matrix display



Part Number (C.A / C.C.)	Color	Wave Length (nm) $\lambda_d @ I_f = 20\text{mA}$ (Dice Materials)	$V_f$ (V) at $I_f = 20\text{mA}$ / per dice	Part Number (C.A / C.C.)	Color	Wave Length (nm) $\lambda_d @ I_f = 20\text{mA}$ (Dice Materials)	$V_f$ (V) at $I_f = 20\text{mA}$ / per dice
OPD-M35722/3B-GW	Super Blue	460nm (InGaN / Sapphire)	60 mcd	OPD-M35722/3LY-GW	Super Bright Yellow	590nm (AlGaInP / GaAs)	120 mcd
OPD-M35722/3LB-GW	Super Bright Blue	470nm (InGaN / Sapphire)	120 mcd	OPD-M35722/3A-GW	Amber	610nm (GaAsP / GaP)	10 mcd
OPD-M35722/3PY-GW	Pure Green	525nm (InGaN / Sapphire)	250 mcd	OPD-M35722/3LA-GW	Super Bright Amber	610nm (AlGaInP / GaAs)	100 mcd
OPD-M35722/3G-GW	Yellow Green	570nm (GaP / GaP)	15 mcd	OPD-M35722/3E-GW	High Efficiency Red	620nm (GaAsP / GaP)	10 mcd
OPD-M35722/3YG-GW	Super Bright Yellow Green	570nm (AlGaInP / GaAs)	40 mcd	OPD-M35722/3LE-GW	Super Bright Red	625nm (AlGaInP / GaAs)	120 mcd
OPD-M35722/3Y-GW	Yellow	590nm (GaAsP / GaP)	17 mcd	OPD-M25722/3SR-GW	Super Red	645nm (AlGaAs / GaAs,SH)	10 mcd

#### Package Dimension / Internal Circuit

#### 1.22" 8x8 dot matrix display

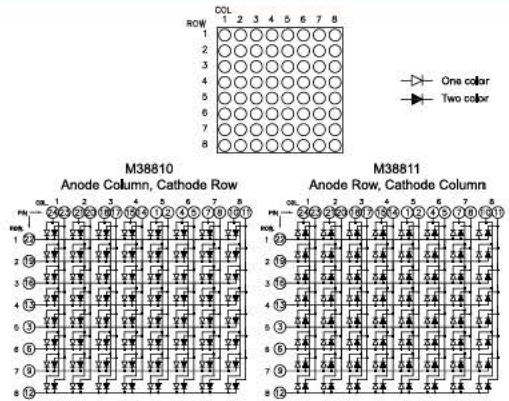
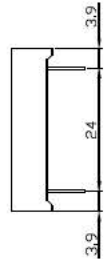
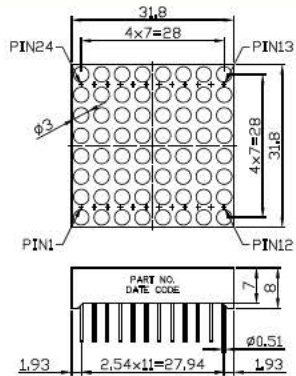


Part Number (C.A / C.C.)	Color	Wave Length (nm) $\lambda_d @ I_f = 20\text{mA}$ (Dice Materials)	$V_f$ (V) at $I_f = 20\text{mA}$ / per dice	Part Number (C.A / C.C.)	Color	Wave Length (nm) $\lambda_d @ I_f = 20\text{mA}$ (Dice Materials)	$V_f$ (V) at $I_f = 20\text{mA}$ / per dice
OPD-M38810/1B-BW	Super Blue	460nm (InGaN / Sapphire)	60 mcd	OPD-M38810/1LY-BW	Super Bright Yellow	590nm (AlGaInP / GaAs)	120 mcd
OPD-M38810/1LB-BW	Super Bright Blue	470nm (InGaN / Sapphire)	120 mcd	OPD-M38810/1A-BW	Amber	610nm (GaAsP / GaP)	10 mcd
OPD-M38810/1PY-BW	Pure Green	525nm (InGaN / Sapphire)	250 mcd	OPD-M38810/1LA-BW	Super Bright Amber	610nm (AlGaInP / GaAs)	100 mcd
OPD-M38810/1G-BW	Yellow Green	570nm (GaP / GaP)	15 mcd	OPD-M38810/1E-BW	High Efficiency Red	620nm (GaAsP / GaP)	10 mcd
OPD-M38810/1YG-BW	Super Bright Yellow Green	570nm (AlGaInP / GaAs)	40 mcd	OPD-M38810/1LE-BW	Super Bright Red	625nm (AlGaInP / GaAs)	120 mcd
OPD-M38810/1Y-BW	Yellow	590nm (GaAsP / GaP)	17 mcd	OPD-M38810/1SR-BW	Super Red	645nm (AlGaAs / GaAs,SH)	10 mcd



#### Package Dimension / Internal Circuit

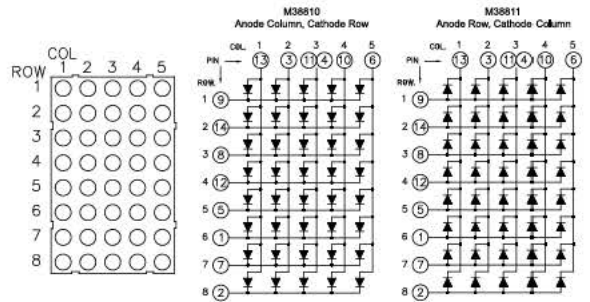
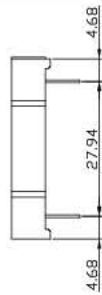
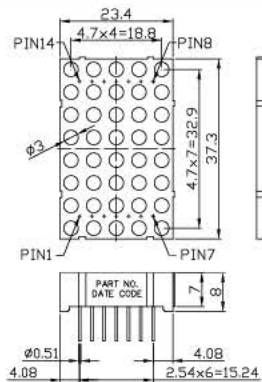
#### 1.22" 8x8 dot matrix display



Part Number (C.A / C.C.)	Color	Wave Length (nm) $\lambda_d @ I_f = 20mA$ (Dice Materials)	$V_f$ (V) at $I_f = 20mA /$ per dice	Part Number (C.A / C.C.)	Color	Wave Length (nm) $\lambda_d @ I_f = 20mA$ (Dice Materials)	$V_f$ (V) at $I_f = 20mA /$ per dice
OPD-M38812/3B-GW	Super Blue	460nm (InGaN / Sapphire)	60 mcd	OPD-M38812/3LY-GW	Super Bright Yellow	590nm (AlGaInP / GaAs)	120 mcd
OPD-M38812/3LB-GW	Super Bright Blue	470nm (InGaN / Sapphire)	120 mcd	OPD-M38812/3A-GW	Amber	610nm (GaAsP / GaP)	10 mcd
OPD-M38812/3PY-GW	Pure Green	525nm (InGaN / Sapphire)	250 mcd	OPD-M38812/3LA-GW	Super Bright Amber	610nm (AlGaInP / GaAs)	100 mcd
OPD-M38812/3G-GW	Yellow Green	570nm (GaP / GaP)	15 mcd	OPD-M38812/3E-GW	High Efficiency Red	620nm (GaAsP / GaP)	10 mcd
OPD-M38812/3YG-GW	Super Bright Yellow Green	570nm (AlGaInP / GaAs)	40 mcd	OPD-M38812/3LE-GW	Super Bright Red	625nm (AlGaInP / GaAs)	120 mcd
OPD-M38812/3Y-GW	Yellow	590nm (GaAsP / GaP)	17 mcd	OPD-M28812/3SR-GW	Super Red	645nm (AlGaAs / GaAs,SH)	10 mcd

#### Package Dimension / Internal Circuit

#### 1.41" 5x8 dot matrix display

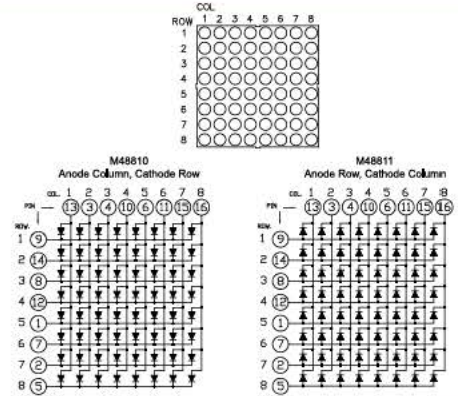
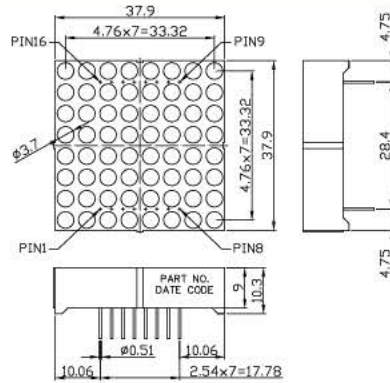


Part Number (C.A / C.C.)	Color	Wave Length (nm) $\lambda_d @ I_f = 20mA$ (Dice Materials)	$V_f$ (V) at $I_f = 20mA /$ per dice	Part Number (C.A / C.C.)	Color	Wave Length (nm) $\lambda_d @ I_f = 20mA$ (Dice Materials)	$V_f$ (V) at $I_f = 20mA /$ per dice
OPD-M35810/1B-BW	Super Blue	460nm (InGaN / Sapphire)	60 mcd	OPD-M35810/1LY-BW	Super Bright Yellow	590nm (AlGaInP / GaAs)	120 mcd
OPD-M35810/1LB-BW	Super Bright Blue	470nm (InGaN / Sapphire)	120 mcd	OPD-M35810/1A-BW	Amber	610nm (GaAsP / GaP)	10 mcd
OPD-M35810/1PY-BW	Pure Green	525nm (InGaN / Sapphire)	250 mcd	OPD-M35810/1LA-BW	Super Bright Amber	610nm (AlGaInP / GaAs)	100 mcd
OPD-M35810/1G-BW	Yellow Green	570nm (GaP / GaP)	15 mcd	OPD-M35810/1E-BW	High Efficiency Red	620nm (GaAsP / GaP)	10 mcd
OPD-M35810/1YG-BW	Super Bright Yellow Green	570nm (AlGaInP / GaAs)	40 mcd	OPD-M35810/1LE-BW	Super Bright Red	625nm (AlGaInP / GaAs)	120 mcd
OPD-M35810/1Y-BW	Yellow	590nm (GaAsP / GaP)	17 mcd	OPD-M35810/1SR-BW	Super Red	645nm (AlGaAs / GaAs,SH)	10 mcd



#### Package Dimension / Internal Circuit

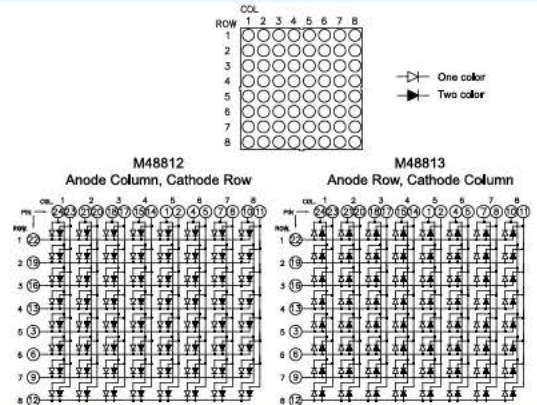
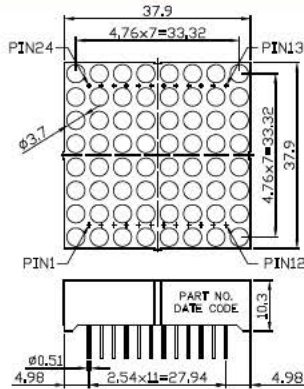
1.46" 8x8 dot matrix display



Part Number (C.A / C.C.)	Color	Wave Length (nm) $\lambda_d @ I_f = 20\text{mA}$ (Dice Materials)	$V_f$ (V) at $I_f = 20\text{mA}$ / per dice	Part Number (C.A / C.C.)	Color	Wave Length (nm) $\lambda_d @ I_f = 20\text{mA}$ (Dice Materials)	$V_f$ (V) at $I_f = 20\text{mA}$ / per dice
OPD-M48810/1B-GW	Super Blue	460nm (InGaN / Sapphire)	60 mcd	OPD-M48810/1LY-GW	Super Bright Yellow	590nm (AlGaInP / GaAs)	120 mcd
OPD-M48810/1LB-GW	Super Bright Blue	470nm (InGaN / Sapphire)	120 mcd	OPD-M48810/1A-GW	Amber	610nm (GaAsP / GaP)	10 mcd
OPD-M48810/1PY-GW	Pure Green	525nm (InGaN / Sapphire)	250 mcd	OPD-M48810/1LA-GW	Super Bright Amber	610nm (AlGaInP / GaAs)	100 mcd
OPD-M48810/1G-GW	Yellow Green	570nm (GaP / GaP)	15 mcd	OPD-M48810/1E-GW	High Efficiency Red	620nm (GaAsP / GaP)	10 mcd
OPD-M48810/1YG-GW	Super Bright Yellow Green	570nm (AlGaInP / GaAs)	40 mcd	OPD-M48810/1LE-GW	Super Bright Red	625nm (AlGaInP / GaAs)	120 mcd
OPD-M48810/1Y-GW	Yellow	590nm (GaAsP / GaP)	17 mcd	OPD-M48810/1SR-GW	Super Red	645nm (AlGaAs / GaAs,SH)	10 mcd

#### Package Dimension / Internal Circuit

1.46" 8x8 dot matrix display

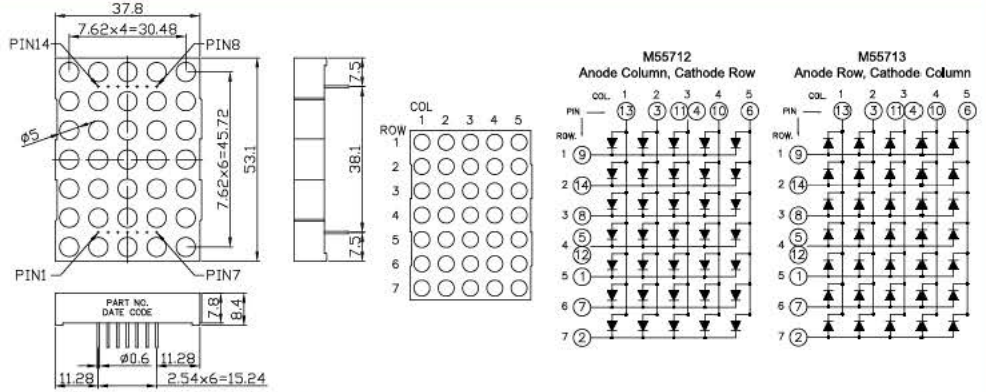


Part Number (C.A / C.C.)	Color	Wave Length (nm) $\lambda_d @ I_f = 20\text{mA}$ (Dice Materials)	$V_f$ (V) at $I_f = 20\text{mA}$ / per dice	Part Number (C.A / C.C.)	Color	Wave Length (nm) $\lambda_d @ I_f = 20\text{mA}$ (Dice Materials)	$V_f$ (V) at $I_f = 20\text{mA}$ / per dice
OPD-M48812/3B-BW	Super Blue	460nm (InGaN / Sapphire)	60 mcd	OPD-M48812/3LY-BW	Super Bright Yellow	590nm (AlGaInP / GaAs)	120 mcd
OPD-M48812/3LB-BW	Super Bright Blue	470nm (InGaN / Sapphire)	120 mcd	OPD-M48812/3A-BW	Amber	610nm (GaAsP / GaP)	10 mcd
OPD-M48812/3PY-BW	Pure Green	525nm (InGaN / Sapphire)	250 mcd	OPD-M48812/3LA-BW	Super Bright Amber	610nm (AlGaInP / GaAs)	100 mcd
OPD-M48812/3G-BW	Yellow Green	570nm (GaP / GaP)	15 mcd	OPD-M48812/3E-BW	High Efficiency Red	620nm (GaAsP / GaP)	10 mcd
OPD-M48812/3YG-BW	Super Bright Yellow Green	570nm (AlGaInP / GaAs)	40 mcd	OPD-M48812/3LE-BW	Super Bright Red	625nm (AlGaInP / GaAs)	120 mcd
OPD-M48812/3Y-BW	Yellow	590nm (GaAsP / GaP)	17 mcd	OPD-M48812/3SR-BW	Super Red	645nm (AlGaAs / GaAs,SH)	10 mcd



#### Package Dimension / Internal Circuit

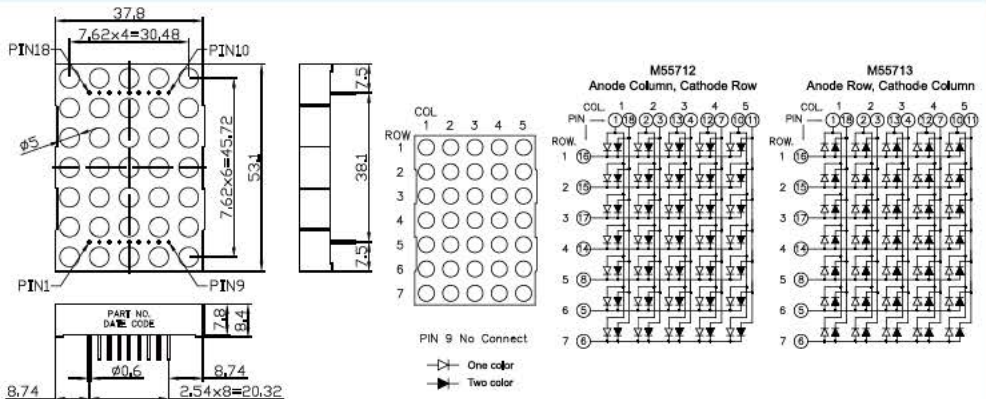
#### 2.00" 5x7 dot matrix display



Part Number (C.A / C.C.)	Color	Wave Length (nm) $\lambda_d$ @ $I_f = 20\text{mA}$ (Dice Materials)	$V_f$ (V) at $I_f = 20\text{mA}$ / per dice	Part Number (C.A / C.C.)	Color	Wave Length (nm) $\lambda_d$ @ $I_f = 20\text{mA}$ (Dice Materials)	$V_f$ (V) at $I_f = 20\text{mA}$ / per dice
OPD-M55710/1B-GW	Super Blue	460nm (InGaN / Sapphire)	60 mcd	OPD-M55710/1LY-GW	Super Bright Yellow	590nm (AlGaInP / GaAs)	120 mcd
OPD-M55710/1LB-GW	Super Bright Blue	470nm (InGaN / Sapphire)	120 mcd	OPD-M55710/1A-GW	Amber	610nm (GaAsP / GaP)	10 mcd
OPD-M55710/1PY-GW	Pure Green	525nm (InGaN / Sapphire)	250 mcd	OPD-M55710/1LA-GW	Super Bright Amber	610nm (AlGaInP / GaAs)	100 mcd
OPD-M55710/1G-GW	Yellow Green	570nm (GaP / GaP)	15 mcd	OPD-M55710/1E-GW	High Efficiency Red	620nm (GaAsP / GaP)	10 mcd
OPD-M55710/1YG-GW	Super Bright Yellow Green	570nm (AlGaInP / GaAs)	40 mcd	OPD-M55710/1LE-GW	Super Bright Red	625nm (AlGaInP / GaAs)	120 mcd
OPD-M55710/1Y-GW	Yellow	590nm (GaAsP / GaP)	17 mcd	OPD-M55710/1SR-GW	Super Red	645nm (AlGaAs / GaAs,SH)	10 mcd

#### Package Dimension / Internal Circuit

#### 2.00" 5x7 dot matrix display

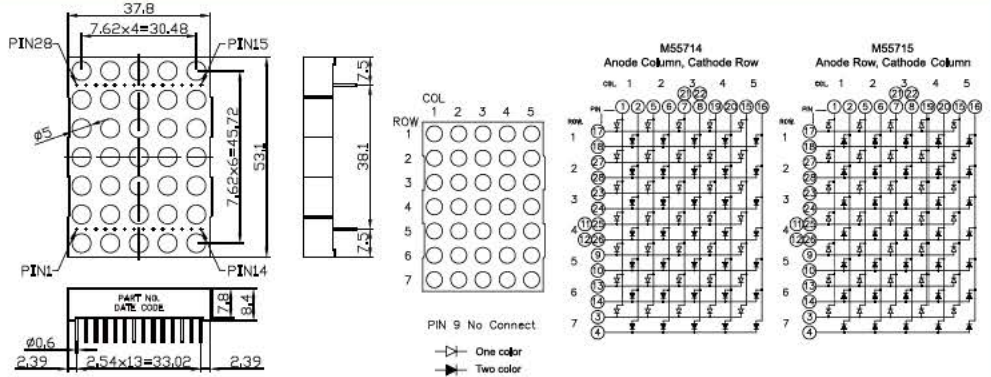


Part Number (C.A / C.C.)	Color	Wave Length (nm) $\lambda_d$ @ $I_f = 20\text{mA}$ (Dice Materials)	$V_f$ (V) at $I_f = 20\text{mA}$ / per dice	Part Number (C.A / C.C.)	Color	Wave Length (nm) $\lambda_d$ @ $I_f = 20\text{mA}$ (Dice Materials)	$V_f$ (V) at $I_f = 20\text{mA}$ / per dice
OPD-M55712/3B-BW	Super Blue	460nm (InGaN / Sapphire)	60 mcd	OPD-M55712/3LY-BW	Super Bright Yellow	590nm (AlGaInP / GaAs)	120 mcd
OPD-M55712/3LB-BW	Super Bright Blue	470nm (InGaN / Sapphire)	120 mcd	OPD-M55712/3A-BW	Amber	610nm (GaAsP / GaP)	10 mcd
OPD-M55712/3PY-BW	Pure Green	525nm (InGaN / Sapphire)	250 mcd	OPD-M55712/3LA-BW	Super Bright Amber	610nm (AlGaInP / GaAs)	100 mcd
OPD-M55712/3G-BW	Yellow Green	570nm (GaP / GaP)	15 mcd	OPD-M55712/3E-BW	High Efficiency Red	620nm (GaAsP / GaP)	10 mcd
OPD-M55712/3YG-BW	Super Bright Yellow Green	570nm (AlGaInP / GaAs)	40 mcd	OPD-M55712/3LE-BW	Super Bright Red	625nm (AlGaInP / GaAs)	120 mcd
OPD-M55712/3Y-BW	Yellow	590nm (GaAsP / GaP)	17 mcd	OPD-M55712/3SR-BW	Super Red	645nm (AlGaAs / GaAs,SH)	10 mcd



#### Package Dimension / Internal Circuit

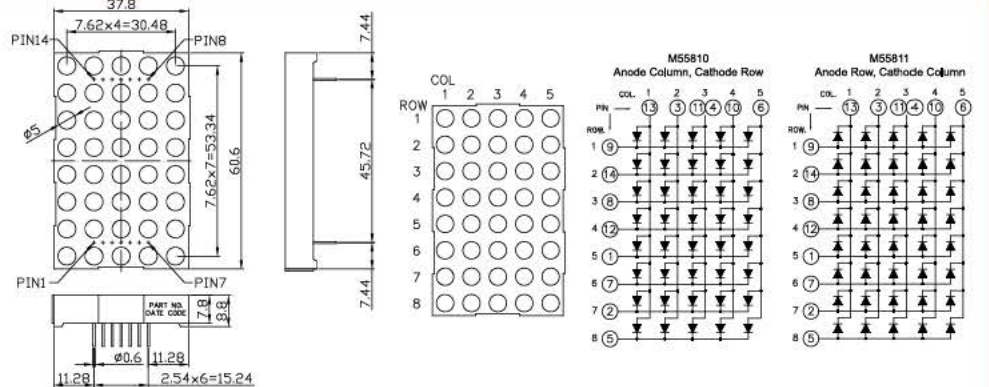
#### 2.00" 5x7 dot matrix display



Part Number (C.A / C.C.)	Color	Wave Length (nm) $\lambda_d @ I_f = 20mA$ (Dice Materials)	$V_f$ (V) at $I_f = 20mA$ / per dice	Part Number (C.A / C.C.)	Color	Wave Length (nm) $\lambda_d @ I_f = 20mA$ (Dice Materials)	$V_f$ (V) at $I_f = 20mA$ / per dice
OPD-M55714/5B-GW	Super Blue	460nm (InGaN / Sapphire)	60 mcd	OPD-M55714/5LY-GW	Super Bright Yellow	590nm (AlGaInP / GaAs)	120 mcd
OPD-M55714/5LB-GW	Super Bright Blue	470nm (InGaN / Sapphire)	120 mcd	OPD-M55714/5A-GW	Amber	610nm (GaAsP / GaP)	10 mcd
OPD-M55714/5PY-GW	Pure Green	525nm (InGaN / Sapphire)	250 mcd	OPD-M55714/5LA-GW	Super Bright Amber	610nm (AlGaInP / GaAs)	100 mcd
OPD-M55714/5G-GW	Yellow Green	570nm (GaP / GaP)	15 mcd	OPD-M55714/5E-GW	High Efficiency Red	620nm (GaAsP / GaP)	10 mcd
OPD-M55714/5YG-GW	Super Bright Yellow Green	570nm (AlGaInP / GaAs)	40 mcd	OPD-M55714/5LE-GW	Super Bright Red	625nm (AlGaInP / GaAs)	120 mcd
OPD-M55714/5Y-GW	Yellow	590nm (GaAsP / GaP)	17 mcd	OPD-M55714/5SR-GW	Super Red	645nm (AlGaAs / GaAs,SH)	10 mcd

#### Package Dimension / Internal Circuit

#### 2.30" 5x8 dot matrix display

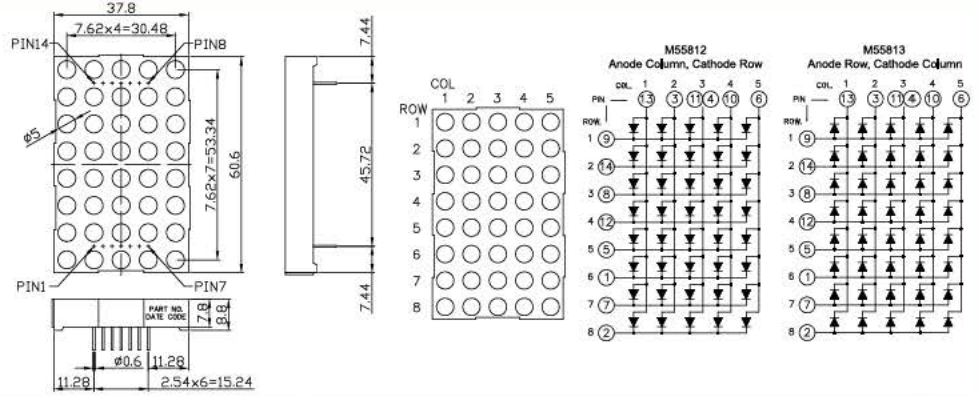


Part Number (C.A / C.C.)	Color	Wave Length (nm) $\lambda_d @ I_f = 20mA$ (Dice Materials)	$V_f$ (V) at $I_f = 20mA$ / per dice	Part Number (C.A / C.C.)	Color	Wave Length (nm) $\lambda_d @ I_f = 20mA$ (Dice Materials)	$V_f$ (V) at $I_f = 20mA$ / per dice
OPD-M55810/1B-BW	Super Blue	460nm (InGaN / Sapphire)	60 mcd	OPD-M55810/1LY-BW	Super Bright Yellow	590nm (AlGaInP / GaAs)	120 mcd
OPD-M55810/1LB-BW	Super Bright Blue	470nm (InGaN / Sapphire)	120 mcd	OPD-M55810/1A-BW	Amber	610nm (GaAsP / GaP)	10 mcd
OPD-M55810/1PY-BW	Pure Green	525nm (InGaN / Sapphire)	250 mcd	OPD-M55810/1LA-BW	Super Bright Amber	610nm (AlGaInP / GaAs)	100 mcd
OPD-M55810/1G-BW	Yellow Green	570nm (GaP / GaP)	15 mcd	OPD-M55810/1E-BW	High Efficiency Red	620nm (GaAsP / GaP)	10 mcd
OPD-M55810/1YG-BW	Super Bright Yellow Green	570nm (AlGaInP / GaAs)	40 mcd	OPD-M55810/1LE-BW	Super Bright Red	625nm (AlGaInP / GaAs)	120 mcd
OPD-M55810/1Y-BW	Yellow	590nm (GaAsP / GaP)	17 mcd	OPD-M55810/1SR-BW	Super Red	645nm (AlGaAs / GaAs,SH)	10 mcd



#### Package Dimension / Internal Circuit

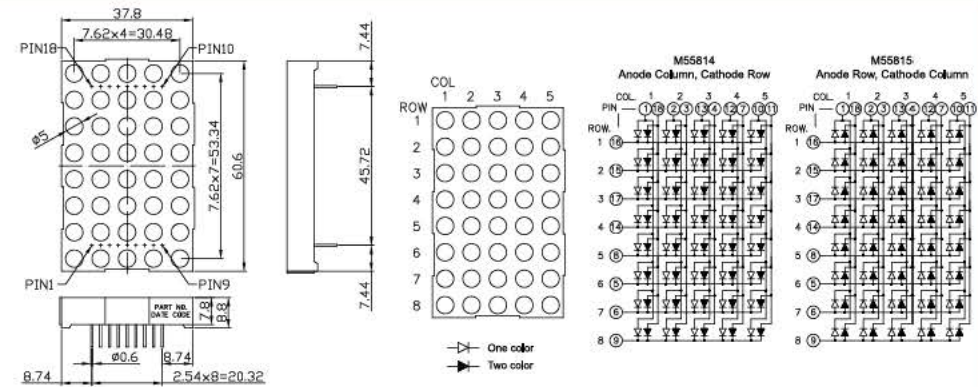
2.30" 5x8 dot matrix display



Part Number (C.A / C.C.)	Color	Wave Length (nm) $\lambda_d @ I_f = 20mA$ (Dice Materials)	$V_f$ (V) at $I_f = 20mA /$ per dice	Part Number (C.A / C.C.)	Color	Wave Length (nm) $\lambda_d @ I_f = 20mA$ (Dice Materials)	$V_f$ (V) at $I_f = 20mA /$ per dice
OPD-M55812/3B-GW	Super Blue	460nm (InGaN / Sapphire)	60 mcd	OPD-M55812/3LY-GW	Super Bright Yellow	590nm (AlGaInP / GaAs)	120 mcd
OPD-M55812/3LB-GW	Super Bright Blue	470nm (InGaN / Sapphire)	120 mcd	OPD-M55812/3A-GW	Amber	610nm (GaAsP / GaP)	10 mcd
OPD-M55812/3PY-GW	Pure Green	525nm (InGaN / Sapphire)	250 mcd	OPD-M55812/3LA-GW	Super Bright Amber	610nm (AlGaInP / GaAs)	100 mcd
OPD-M55812/3G-GW	Yellow Green	570nm (GaP / GaP)	15 mcd	OPD-M55812/3E-GW	High Efficiency Red	620nm (GaAsP / GaP)	10 mcd
OPD-M55812/3YG-GW	Super Bright Yellow Green	570nm (AlGaInP / GaAs)	40 mcd	OPD-M55812/3LE-GW	Super Bright Red	625nm (AlGaInP / GaAs)	120 mcd
OPD-M55812/3Y-GW	Yellow	590nm (GaAsP / GaP)	17 mcd	OPD-M55812/3SR-GW	Super Red	645nm (AlGaAs / GaAs,SH)	10 mcd

#### Package Dimension / Internal Circuit

2.30" 5x8 dot matrix display

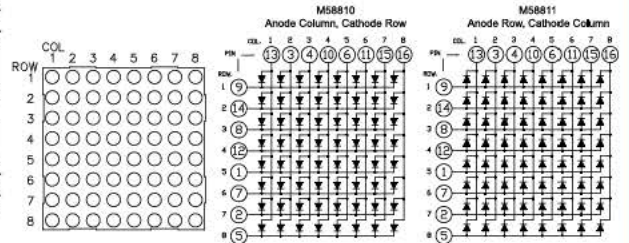
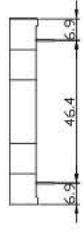
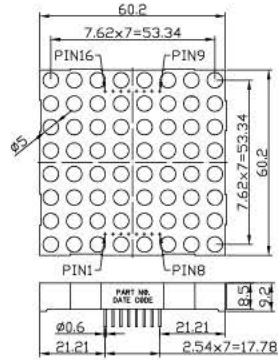


Part Number (C.A / C.C.)	Color	Wave Length (nm) $\lambda_d @ I_f = 20mA$ (Dice Materials)	$V_f$ (V) at $I_f = 20mA /$ per dice	Part Number (C.A / C.C.)	Color	Wave Length (nm) $\lambda_d @ I_f = 20mA$ (Dice Materials)	$V_f$ (V) at $I_f = 20mA /$ per dice
OPD-M55814/5B-BW	Super Blue	460nm (InGaN / Sapphire)	60 mcd	OPD-M55814/5LY-BW	Super Bright Yellow	590nm (AlGaInP / GaAs)	120 mcd
OPD-M55814/5LB-BW	Super Bright Blue	470nm (InGaN / Sapphire)	120 mcd	OPD-M55814/5A-BW	Amber	610nm (GaAsP / GaP)	10 mcd
OPD-M55814/5PY-BW	Pure Green	525nm (InGaN / Sapphire)	250 mcd	OPD-M55814/5LA-BW	Super Bright Amber	610nm (AlGaInP / GaAs)	100 mcd
OPD-M55814/5G-BW	Yellow Green	570nm (GaP / GaP)	15 mcd	OPD-M55814/5E-BW	High Efficiency Red	620nm (GaAsP / GaP)	10 mcd
OPD-M55814/5YG-BW	Super Bright Yellow Green	570nm (AlGaInP / GaAs)	40 mcd	OPD-M55814/5LE-BW	Super Bright Red	625nm (AlGaInP / GaAs)	120 mcd
OPD-M55814/5Y-BW	Yellow	590nm (GaAsP / GaP)	17 mcd	OPD-M55814/5SR-BW	Super Red	645nm (AlGaAs / GaAs,SH)	10 mcd



#### Package Dimension / Internal Circuit

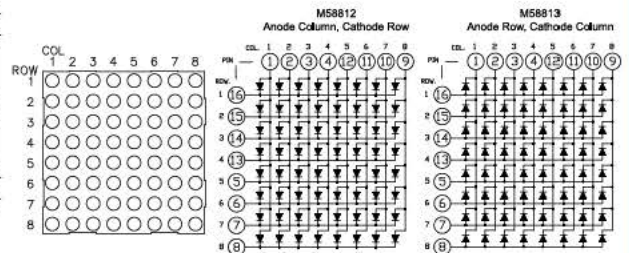
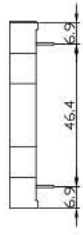
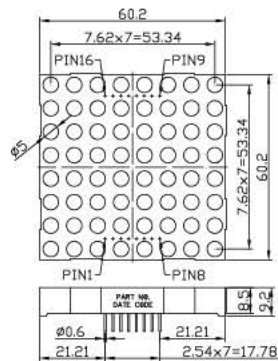
#### 2.30" 8x8 dot matrix display



Part Number (C.A / C.C.)	Color	Wave Length (nm) $\lambda_d @ I_f = 20mA$ (Dice Materials)	$V_f$ (V) at $I_f = 20mA$ / per dice	Part Number (C.A / C.C.)	Color	Wave Length (nm) $\lambda_d @ I_f = 20mA$ (Dice Materials)	$V_f$ (V) at $I_f = 20mA$ / per dice
OPD-M58810/1B-GW	Super Blue	460nm (InGaN / Sapphire)	60 mcd	OPD-M58810/1LY-GW	Super Bright Yellow	590nm (AlGaInP / GaAs)	120 mcd
OPD-M58810/1LB-GW	Super Bright Blue	470nm (InGaN / Sapphire)	120 mcd	OPD-M58810/1A-GW	Amber	610nm (GaAsP / GaP)	10 mcd
OPD-M58810/1PY-GW	Pure Green	525nm (InGaN / Sapphire)	250 mcd	OPD-M58810/1LA-GW	Super Bright Amber	610nm (AlGaInP / GaAs)	100 mcd
OPD-M58810/1G-GW	Yellow Green	570nm (GaP / GaP)	15 mcd	OPD-M58810/1E-GW	High Efficiency Red	620nm (GaAsP / GaP)	10 mcd
OPD-M58810/1YG-GW	Super Bright Yellow Green	570nm (AlGaInP / GaAs)	40 mcd	OPD-M58810/1LE-GW	Super Bright Red	625nm (AlGaInP / GaAs)	120 mcd
OPD-M58810/1Y-GW	Yellow	590nm (GaAsP / GaP)	17 mcd	OPD-M58810/1SR-GW	Super Red	645nm (AlGaAs / GaAs,SH)	10 mcd

#### Package Dimension / Internal Circuit

#### 2.30" 8x8 dot matrix display

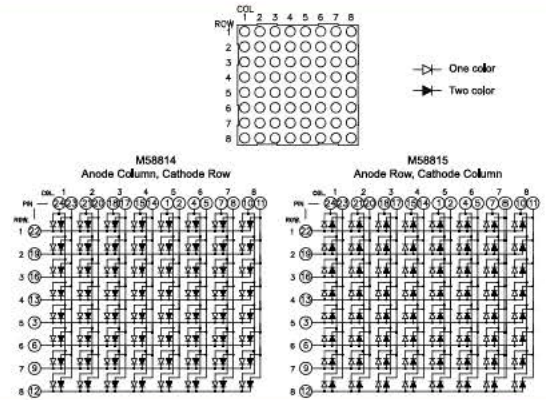
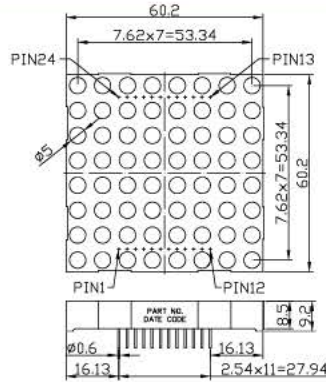


Part Number (C.A / C.C.)	Color	Wave Length (nm) $\lambda_d @ I_f = 20mA$ (Dice Materials)	$V_f$ (V) at $I_f = 20mA$ / per dice	Part Number (C.A / C.C.)	Color	Wave Length (nm) $\lambda_d @ I_f = 20mA$ (Dice Materials)	$V_f$ (V) at $I_f = 20mA$ / per dice
OPD-M58812/3B-BW	Super Blue	460nm (InGaN / Sapphire)	60 mcd	OPD-M58812/3LY-BW	Super Bright Yellow	590nm (AlGaInP / GaAs)	120 mcd
OPD-M58812/3LB-BW	Super Bright Blue	470nm (InGaN / Sapphire)	120 mcd	OPD-M58812/3A-BW	Amber	610nm (GaAsP / GaP)	10 mcd
OPD-M58812/3PY-BW	Pure Green	525nm (InGaN / Sapphire)	250 mcd	OPD-M58812/3LA-BW	Super Bright Amber	610nm (AlGaInP / GaAs)	100 mcd
OPD-M58812/3G-BW	Yellow Green	570nm (GaP / GaP)	15 mcd	OPD-M58812/3E-BW	High Efficiency Red	620nm (GaAsP / GaP)	10 mcd
OPD-M58812/3YG-BW	Super Bright Yellow Green	570nm (AlGaInP / GaAs)	40 mcd	OPD-M58812/3LE-BW	Super Bright Red	625nm (AlGaInP / GaAs)	120 mcd
OPD-M58812/3Y-BW	Yellow	590nm (GaAsP / GaP)	17 mcd	OPD-M58812/3SR-BW	Super Red	645nm (AlGaAs / GaAs,SH)	10 mcd



#### Package Dimension / Internal Circuit

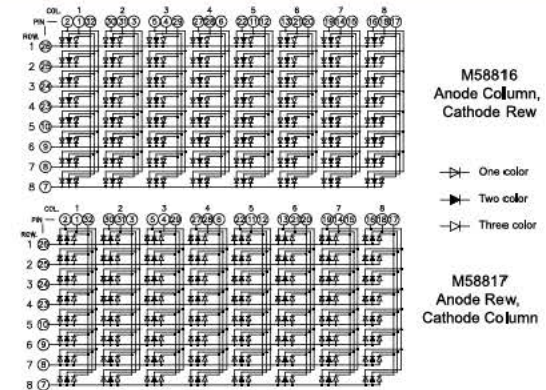
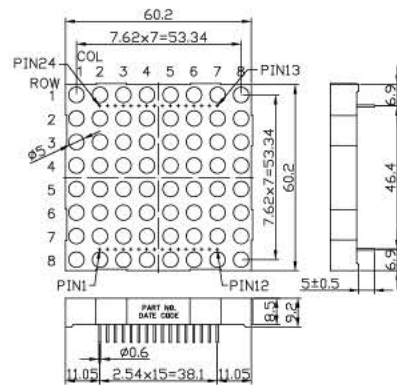
2.30" 8x8 dot matrix display



Part Number (C.A / C.C.)	Color	Wave Length (nm) $\lambda_d$ @ $I_f = 20\text{mA}$ (Dice Materials)	$V_f$ (V) at $I_f = 20\text{mA}$ / per dice	Part Number (C.A / C.C.)	Color	Wave Length (nm) $\lambda_d$ @ $I_f = 20\text{mA}$ (Dice Materials)	$V_f$ (V) at $I_f = 20\text{mA}$ / per dice
OPD-M58814/5B-GW	Super Blue	460nm (InGaN / Sapphire)	60 mcd	OPD-M58814/5LY-GW	Super Bright Yellow	590nm (AlGaInP / GaAs)	120 mcd
OPD-M58814/5LB-GW	Super Bright Blue	470nm (InGaN / Sapphire)	120 mcd	OPD-M58814/5A-GW	Amber	610nm (GaAsP / GaP)	10 mcd
OPD-M58814/5PY-GW	Pure Green	525nm (InGaN / Sapphire)	250 mcd	OPD-M58814/5LA-GW	Super Bright Amber	610nm (AlGaInP / GaAs)	100 mcd
OPD-M58814/5G-GW	Yellow Green	570nm (GaP / GaP)	15 mcd	OPD-M58814/5E-GW	High Efficiency Red	620nm (GaAsP / GaP)	10 mcd
OPD-M58814/5YG-GW	Super Bright Yellow Green	570nm (AlGaInP / GaAs)	40 mcd	OPD-M58814/5LE-GW	Super Bright Red	625nm (AlGaInP / GaAs)	120 mcd
OPD-M58814/5Y-GW	Yellow	590nm (GaAsP / GaP)	17 mcd	OPD-M58814/5SR-GW	Super Red	645nm (AlGaAs / GaAs,SH)	10 mcd

#### Package Dimension / Internal Circuit

2.30" 8x8 dot matrix display

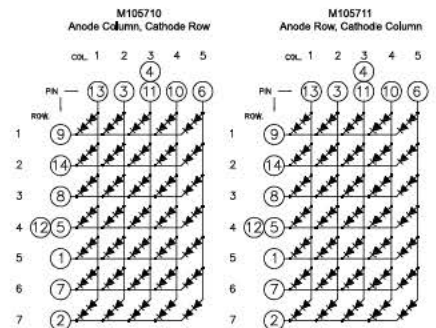
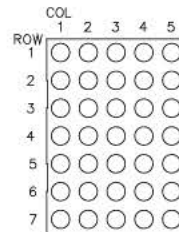
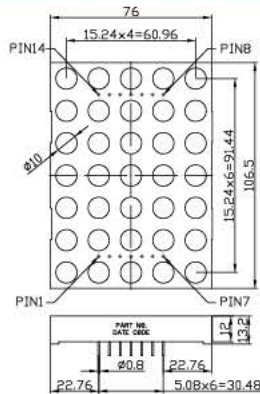


Part Number (C.A / C.C.)	Color	Wave Length (nm) $\lambda_d$ @ $I_f = 20\text{mA}$ (Dice Materials)	$V_f$ (V) at $I_f = 20\text{mA}$ / per dice	Part Number (C.A / C.C.)	Color	Wave Length (nm) $\lambda_d$ @ $I_f = 20\text{mA}$ (Dice Materials)	$V_f$ (V) at $I_f = 20\text{mA}$ / per dice
OPD-M58816/7B-BW	Super Blue	460nm (InGaN / Sapphire)	60 mcd	OPD-M58816/7LY-BW	Super Bright Yellow	590nm (AlGaInP / GaAs)	120 mcd
OPD-M58816/7LB-BW	Super Bright Blue	470nm (InGaN / Sapphire)	120 mcd	OPD-M58816/7A-BW	Amber	610nm (GaAsP / GaP)	10 mcd
OPD-M58816/7PY-BW	Pure Green	525nm (InGaN / Sapphire)	250 mcd	OPD-M58816/7LA-BW	Super Bright Amber	610nm (AlGaInP / GaAs)	100 mcd
OPD-M58816/7G-BW	Yellow Green	570nm (GaP / GaP)	15 mcd	OPD-M58816/7E-BW	High Efficiency Red	620nm (GaAsP / GaP)	10 mcd
OPD-M58816/7YG-BW	Super Bright Yellow Green	570nm (AlGaInP / GaAs)	40 mcd	OPD-M58816/7LE-BW	Super Bright Red	625nm (AlGaInP / GaAs)	120 mcd
OPD-M58816/7Y-BW	Yellow	590nm (GaAsP / GaP)	17 mcd	OPD-M58816/7SR-BW	Super Red	645nm (AlGaAs / GaAs,SH)	10 mcd



#### Package Dimension / Internal Circuit

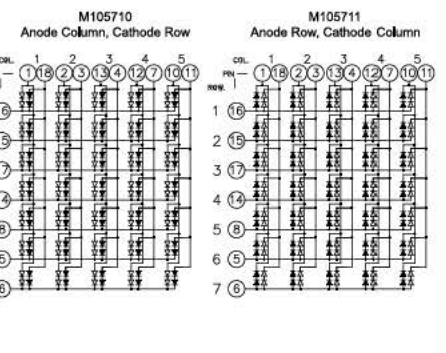
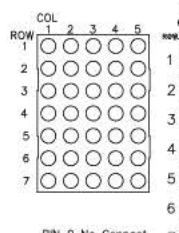
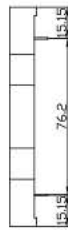
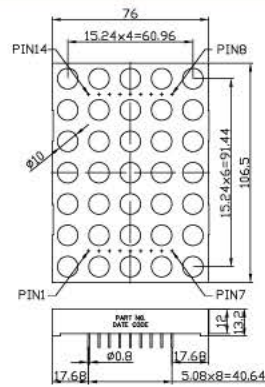
#### 4.00" 5x7 dot matrix display



Part Number (C.A / C.C.)	Color	Wave Length (nm) $\lambda_d @ I_f = 20\text{mA}$ (Dice Materials)	$V_f$ (V) at $I_f = 20\text{mA}$ / per dice	Part Number (C.A / C.C.)	Color	Wave Length (nm) $\lambda_d @ I_f = 20\text{mA}$ (Dice Materials)	$V_f$ (V) at $I_f = 20\text{mA}$ / per dice
OPD-M105710/1B-GW	Super Blue	460nm (InGaN / Sapphire)	60 mcd	OPD-M105710/1LY-GW	Super Bright Yellow	590nm (AlGaInP / GaAs)	120 mcd
OPD-M105710/1LB-GW	Super Bright Blue	470nm (InGaN / Sapphire)	120 mcd	OPD-M105710/1A-GW	Amber	610nm (GaAsP / GaP)	10 mcd
OPD-M105710/1PY-GW	Pure Green	525nm (InGaN / Sapphire)	250 mcd	OPD-M105710/1LA-GW	Super Bright Amber	610nm (AlGaInP / GaAs)	100 mcd
OPD-M105710/1G-GW	Yellow Green	570nm (GaP / GaP)	15 mcd	OPD-M105710/1E-GW	High Efficiency Red	620nm (GaAsP / GaP)	10 mcd
OPD-M105710/1YG-GW	Super Bright Yellow Green	570nm (AlGaInP / GaAs)	40 mcd	OPD-M105710/1LE-GW	Super Bright Red	625nm (AlGaInP / GaAs)	120 mcd
OPD-M105710/1Y-GW	Yellow	590nm (GaAsP / GaP)	17 mcd	OPD-M105710/1SR-GW	Super Red	645nm (AlGaAs / GaAs,SH)	10 mcd

#### Package Dimension / Internal Circuit

#### 4.00" 5x7 dot matrix display



Part Number (C.A / C.C.)	Color	Wave Length (nm) $\lambda_d @ I_f = 20\text{mA}$ (Dice Materials)	$V_f$ (V) at $I_f = 20\text{mA}$ / per dice	Part Number (C.A / C.C.)	Color	Wave Length (nm) $\lambda_d @ I_f = 20\text{mA}$ (Dice Materials)	$V_f$ (V) at $I_f = 20\text{mA}$ / per dice
OPD-M105712/3B-BW	Super Blue	460nm (InGaN / Sapphire)	60 mcd	OPD-M105712/3LY-BW	Super Bright Yellow	590nm (AlGaInP / GaAs)	120 mcd
OPD-M105712/3LB-BW	Super Bright Blue	470nm (InGaN / Sapphire)	120 mcd	OPD-M105712/3A-BW	Amber	610nm (GaAsP / GaP)	10 mcd
OPD-M105712/3PY-BW	Pure Green	525nm (InGaN / Sapphire)	250 mcd	OPD-M105712/3LA-BW	Super Bright Amber	610nm (AlGaInP / GaAs)	100 mcd
OPD-M105712/3G-BW	Yellow Green	570nm (GaP / GaP)	15 mcd	OPD-M105712/3E-BW	High Efficiency Red	620nm (GaAsP / GaP)	10 mcd
OPD-M105712/3YG-BW	Super Bright Yellow Green	570nm (AlGaInP / GaAs)	40 mcd	OPD-M105712/3LE-BW	Super Bright Red	625nm (AlGaInP / GaAs)	120 mcd
OPD-M105712/3Y-BW	Yellow	590nm (GaAsP / GaP)	17 mcd	OPD-M105712/3SR-BW	Super Red	645nm (AlGaAs / GaAs,SH)	10 mcd