



◆ Feature

- Universal Input Switch Mode Power Supplies
- No load power consumption <0.3 Watt
- Meet energy star CEC, EUPS, MEPS level (IV) & (V)
- Protection: over voltage , over current ,short circuit
- High Efficiency and Reliability
- Range output 3VDC~24VDC
- Comply to UL,CSA, GS/TUV, CE

Specification

Input	Voltage range	90~264Vac
	Frequency range	47~63Hz
	AC current	0.3A Max. @ 230Vac
	Inrush current (max.)	30Amax. @ 230Vac, cold start
	Leakage current(max.)	0.25mA @120Vac,60Hz / 0.45mA @ 230Vac,50Hz
Protection	Over load	>105% rate output voltage power Hiccup mode, Recovery automatically
	Short circuit	Power shutdown Auto recovery after fault condition is removed
Environment	Operating Temp.	0~40°C
	Relative Humidity	20%~90% , non-condensing
	Storage Temp. / Humidity	-20°C~85°C, 10%~95% RH
	Vibration	19.6m/s ² 10-55Hz, 3minutes period,60minutes each along X,Y and Z axis (Non oper
	IMPACT	196.1m/s ² 11ms, once each X,Y and Z azis (Non operating)
Safety & EMC	Safety Standard	EN60601-1, IEC60601-1
	Withstand voltage	I/P-O/P:3KVac, 1 minute
	Isolation resistance	I/P-O/P: 100M ohms/500Vdc/25°C/70%RH
	Conducted / Radiated	EN55022 , FCC part 15 Class B
	Harmonic	EN61000-3-2
Others	MTBF	100,000 hours min. @25°C, 80% of full load. (MIL-HDBK-217F)
	Dimension	62.6mm *41.6mm *26.3mm
Note	1.All parameters are specified at 230Vac input, rated load,25°C 70% RH ambient;	
	2.DC voltage: the output voltage set at point measure by plug terminal & 100% load;	
	3.Ripple & Niose are measured at 20Mhz with a 0.1uf & 47uf capacitor	
	4.Tolerance: includes set up tolerance, line regulation, load regulation,	
	5.Line regulation is measured from low line to high line at rated load,	
	6.Load regulation is measured from 0%~100% at rated load	
	7.Efficiency is measured at 110Vac or 230Vac.	

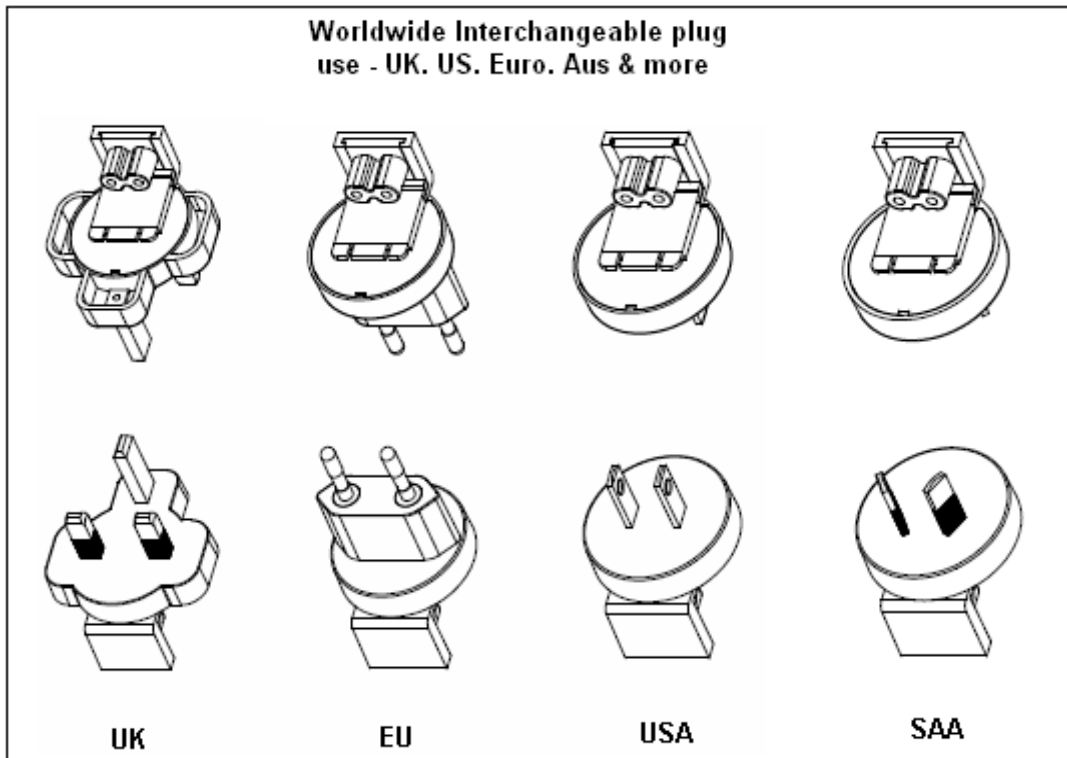
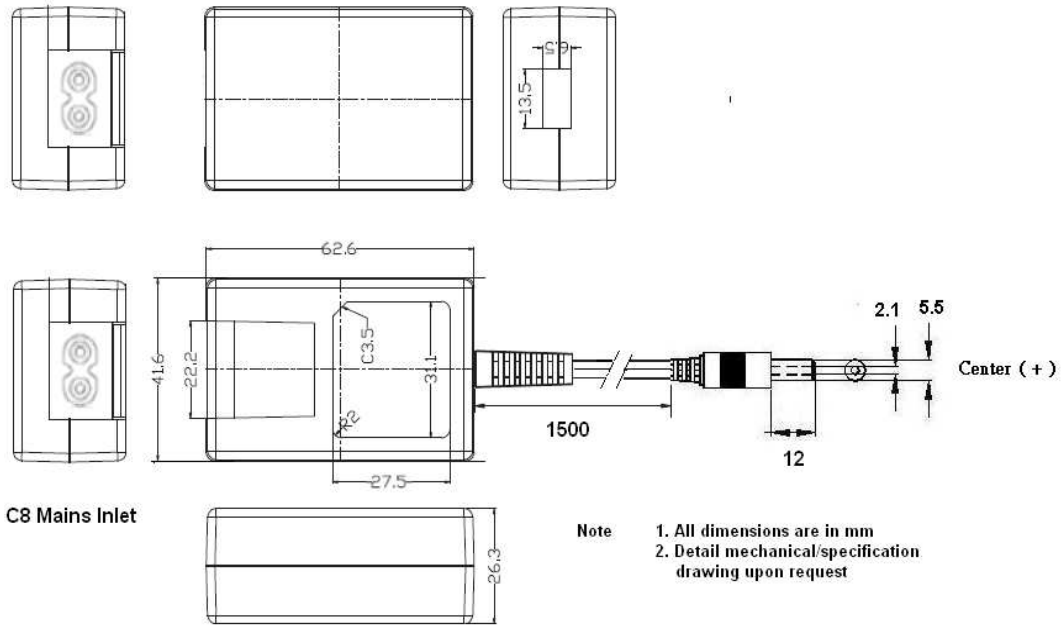
Safty mark



Output

MODEL LIST	DC Voltage	Current range (mA)	Ripple & Noise	Line regulation	Load regulation	Voltage tolerance
SPA030yyyyl	3.0V	100 to 2000	1%	±1%	±5%	±5%
SPA035yyyyl	3.5V	100 to 2000	1%	±1%	±5%	±5%
SPA040yyyyl	4.0V	100 to 2000	1%	±1%	±5%	±5%
SPA045yyyyl	4.5V	100 to 2000	1%	±1%	±5%	±5%
SPA050yyyyl	5.0V	100 to 2000	1%	±1%	±5%	±5%
SPA055yyyyl	5.5V	100 to 1800	1%	±1%	±5%	±5%
SPA060yyyyl	6.0V	100 to 1600	1%	±1%	±5%	±5%
SPA065yyyyl	6.5V	100 to 1500	1%	±1%	±5%	±5%
SPA070yyyyl	7.0V	100 to 1400	1%	±1%	±5%	±5%
SPA075yyyyl	7.5V	100 to 1300	1%	±1%	±5%	±5%
SPA080yyyyl	8.0V	100 to 1200	1%	±1%	±5%	±5%
SPA085yyyyl	8.5V	100 to 1100	1%	±1%	±5%	±5%
SPA090yyyyl	9.0V	100 to 1000	1%	±1%	±5%	±5%
SPA120yyyyl	12.0V	100 to 830	1%	±1%	±5%	±5%
SPA125yyyyl	12.5V	100 to 800	1%	±1%	±5%	±5%
SPA130yyyyl	13.0V	100 to 750	1%	±1%	±5%	±5%
SPA135yyyyl	13.5V	100 to 730	1%	±1%	±5%	±5%
SPA140yyyyl	14.0V	100 to 700	1%	±1%	±5%	±5%
SPA145yyyyl	14.5V	100 to 680	1%	±1%	±5%	±5%
SPA150yyyyl	15.0V	100 to 660	1%	±1%	±5%	±5%
SPA155yyyyl	15.5V	100 to 640	1%	±1%	±5%	±5%
SPA160yyyyl	16.0V	100 to 620	1%	±1%	±5%	±5%
SPA165yyyyl	16.5V	100 to 600	1%	±1%	±5%	±5%
SPA170yyyyl	17.0V	100 to 580	1%	±1%	±5%	±5%
SPA175yyyyl	17.5V	100 to 570	1%	±1%	±5%	±5%
SPA180yyyyl	18.0V	100 to 550	1%	±1%	±5%	±5%
SPA185yyyyl	18.5V	100 to 540	1%	±1%	±5%	±5%
SPA190yyyyl	19.0V	100 to 520	1%	±1%	±5%	±5%
SPA195yyyyl	19.5V	100 to 510	1%	±1%	±5%	±5%
SPA200yyyyl	20.0V	100 to 500	1%	±1%	±5%	±5%
SPA205yyyyl	20.5V	100 to 480	1%	±1%	±5%	±5%
SPA210yyyyl	21.0V	100 to 470	1%	±1%	±5%	±5%
SPA215yyyyl	21.5V	100 to 460	1%	±1%	±5%	±5%
SPA220yyyyl	22.0V	100 to 450	1%	±1%	±5%	±5%
SPA225yyyyl	22.5V	100 to 440	1%	±1%	±5%	±5%
SPA230yyyyl	23.0V	100 to 430	1%	±1%	±5%	±5%
SPA235yyyyl	23.5V	100 to 420	1%	±1%	±5%	±5%
SPA240yyyyl	24.0V	100 to 400	1%	±1%	±5%	±5%

Mechanical Drawing



Safety mark

