



◆Feature

- Universal Input Switch Mode Power Supplies
- No load power consumption <0.3 Watt
- Meet energy star CEC, EUPS, MEPS level (IV) & (V)
- Protection: over voltage , over current ,short circuit
- High Efficiency and Reliability
- Range output 3VDC~22VDC
- Comply to UL,CSA, GS/TUV, CE, PSE

Specification

Input	Voltage range	90~264Vac
	Frequency range	47~63Hz
	AC current	0.2A Max. @ 230Vac
	Inrush current (max.)	30Amax. @ 230Vac, cold start
	Leakage current(max.)	0.25mA @120Vac,60Hz / 0.45mA @ 230Vac,50Hz
Protection	Over load	>105% rate output voltage power Hiccup mode, Recovery automatically
	Short circuit	Power shutdown Auto recovery after fault condition is removed
Environment	Operating Temp.	0~40℃
	Relative Humidity	20%~90% , non-condensing
	Storage Temp. / Humid	-20℃~85℃, 10%~95% RH
	Vibration	19.6m/s ² 10-55Hz, 3minutes period,60minutes each along X,Y and Z axis (Non operating)
	IMPACT	196.1m/s ² 11ms, once each X,Y and Z axis (Non operating)
Safety & EMC	Safety Standard	UL60950-1, EN60950-1 , J60950 , EN61558
	Withstand voltage	I/P-O/P:3KVac, 1 minute
	Isolation resistance	I/P-O/P: 100M ohms/500Vdc/25℃/70%RH
	Conducted / Radiated	EN55022 , FCC part 15 Class B
	Harmonic	EN6100-3-2
Others	MTBF	100,000 hours min. @25℃, 80% of full load. (MIL-HDBK-217F)
	Dimension	63mm*48.2mm*32mm
Note	1.All parameters are specified at 230Vac input, rated load,25℃ 70% RH ambient;	
	2.DC voltage: the output voltage set at point measure by plug terminal & 100% load;	
	3.Ripple & Niose are measured at 20Mhz with a 0.1uf & 47uf capacitor	
	4.Tolerance: includes set up tolerance, line regulation, load regulation,	
	5.Line regulation is measured from low line to high line at rated load,	
	6.Load regulation is measured from 0%~100% at rated load	
	7.Efficiency is measured at 110Vac or 230Vac.	

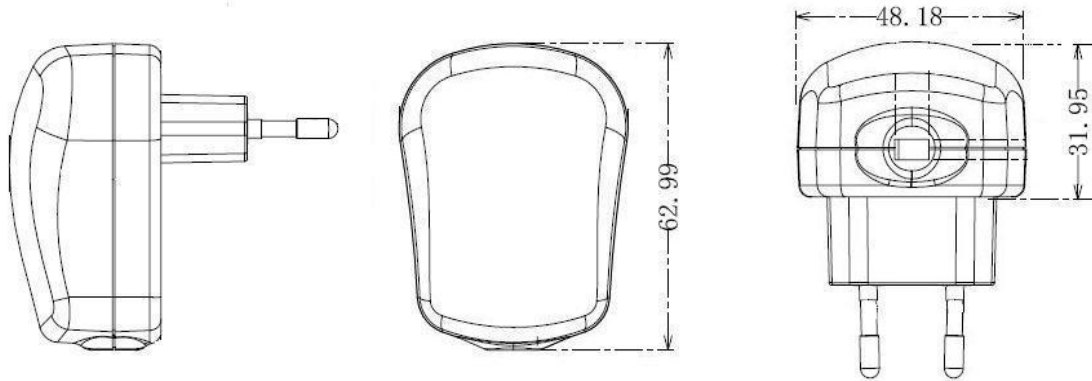
Safety mark



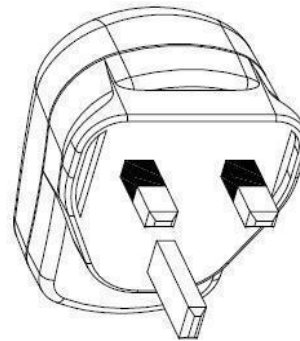
Output

Model No.	DC Voltage	Output Current (mA)	Ripple & Noise	Line regulation	Load regulation	Voltage Tolerance
SPA030yyyy	3.0V	100 to 1500	1%	±1%	±5%	±5%
SPA033yyyy	3.3V	100 to 1300	1%	±1%	±5%	±5%
SPA035yyyy	3.5V	100 to 1300	1%	±1%	±5%	±5%
SPA040yyyy	4.0V	100 to 1200	1%	±1%	±5%	±5%
SPA045yyyy	4.5V	100 to 1200	1%	±1%	±5%	±5%
SPA0501200	5.0V	100 to 1200	1%	±1%	±5%	±5%
SPA0501000	5.0V	100 to 1200	1%	±1%	±5%	±5%
SPA0551080	5.5V	100 to 1080	1%	±1%	±5%	±5%
SPA0601000	6.0V	100 to 1000	1%	±1%	±5%	±5%
SPA0650920	6.5V	100 to 920	1%	±1%	±5%	±5%
SPA0700850	7.0V	100 to 850	1%	±1%	±5%	±5%
SPA0750800	7.5V	100 to 800	1%	±1%	±5%	±5%
SPA0800750	8.0V	100 to 750	1%	±1%	±5%	±5%
SPA0850700	8.5V	100 to 700	1%	±1%	±5%	±5%
SPA0900666	9.0V	100 to 666	1%	±1%	±5%	±5%
SPA0950631	9.5V	100 to 631	1%	±1%	±5%	±5%
SPA1000600	10.0V	100 to 600	1%	±1%	±5%	±5%
SPA1050550	10.5V	100 to 550	1%	±1%	±5%	±5%
SPA1100545	11.0V	100 to 545	1%	±1%	±5%	±5%
SPA1150520	11.5V	100 to 520	1%	±1%	±5%	±5%
SPA1200500	12.0V	100 to 500	1%	±1%	±5%	±5%
SPA1250480	12.5V	100 to 480	1%	±1%	±5%	±5%
SPA1300460	13.0V	100 to 460	1%	±1%	±5%	±5%
SPA1350444	13.5V	100 to 444	1%	±1%	±5%	±5%
SPA1400428	14.0V	100 to 413	1%	±1%	±5%	±5%
SPA1450413	14.5V	100 to 400	1%	±1%	±5%	±5%
SPA1500400	15.0V	100 to 380	1%	±1%	±5%	±5%
SPA1550380	15.5V	100 to 365	1%	±1%	±5%	±5%
SPA1600365	16.0V	100 to 363	1%	±1%	±5%	±5%
SPA1650363	16.5V	100 to 363	1%	±1%	±5%	±5%
SPA1700352	17.0V	100 to 352	1%	±1%	±5%	±5%
SPA1750342	17.5V	100 to 342	1%	±1%	±5%	±5%
SPA1800333	18.0V	100 to 333	1%	±1%	±5%	±5%
SPA1850324	18.5V	100 to 324	1%	±1%	±5%	±5%
SPA1900315	19.0V	100 to 315	1%	±1%	±5%	±5%
SPA1950307	19.5V	100 to 307	1%	±1%	±5%	±5%
SPA2000300	20.0V	100 to 300	1%	±1%	±5%	±5%
SPA2050290	20.5V	100 to 290	1%	±1%	±5%	±5%
SPA2100285	21.0V	100 to 285	1%	±1%	±5%	±5%
SPA2150270	21.5V	100 to 270	1%	±1%	±5%	±5%
SPA2200250	22.0V	100 to 250	1%	±1%	±5%	±5%

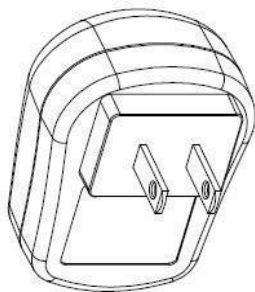
Mechanical Drawing . -Casing Type No. : B22



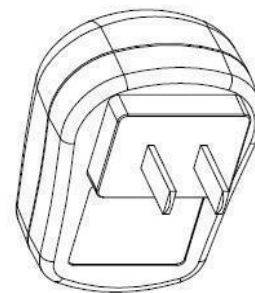
EU STANDARD PLUG



UK STANDARD PLUG



US STANDARD PLUG
JAPAN STANDARD PLUG



CHINA STANDARD PLUG

- Note: 1.All dimensions in mm.
2.Detail mechanical drawing upon request.

Safety mark

